

# 74AVC1T8128

Single dual-supply translating 2-input NOR with enable

Rev. 1 — 10 October 2018

Product data sheet

## 1. General description

The 74AVC1T8128 is a single dual-supply translating 2-input NOR with enable input. It features two data input pins (A, B), one enable input pin (E), one data output pin (Y) and dual-supply pins ( $V_{CC(A)}$  and  $V_{CC(B)}$ ). Both  $V_{CC(A)}$  and  $V_{CC(B)}$  can be supplied at any voltage between 0.8 V and 3.6 V making the device suitable for translating between any of the low voltage nodes (0.8 V, 1.2 V, 1.5 V, 1.8 V, 2.5 V and 3.3 V). Pins A, B and E are referenced to  $V_{CC(A)}$  and pin Y is referenced to  $V_{CC(B)}$ .

The logic equation provided at the Y output is:

$$Y = E + A \cdot \bar{B}$$

The device is fully specified for partial power-down applications using  $I_{OFF}$ . The  $I_{OFF}$  circuitry disables the output, preventing any damaging backflow current through the device when it is powered down. In Suspend mode when either  $V_{CC(A)}$  or  $V_{CC(B)}$  are at GND level, the Y output is in the high-impedance OFF-state.

## 2. Features and benefits

- Wide supply voltage range:
  - $V_{CC(A)}$ : 0.8 V to 3.6 V
  - $V_{CC(B)}$ : 0.8 V to 3.6 V
- High noise immunity
- Complies with JEDEC standards:
  - JESD8-12 (0.8 V to 1.3 V)
  - JESD8-11 (0.9 V to 1.65 V)
  - JESD8-7 (1.2 V to 1.95 V)
  - JESD8-5 (1.8 V to 2.7 V)
  - JESD8-B (2.7 V to 3.6 V)
- ESD protection:
  - HBM: ANSI/ESDA/JEDEC JS-001 exceeds 8000 V
  - CDM: ANSI/ESDA/JEDEC JS-002 exceeds 1000 V
- Maximum data rates:
  - 500 Mbit/s (1.8 V to 3.3 V translation)
  - 320 Mbit/s (<1.8 V to 3.3 V translation)
  - 320 Mbit/s (translate to 2.5 V or 1.8 V)
  - 280 Mbit/s (translate to 1.5 V)
  - 240 Mbit/s (translate to 1.2 V)
- Suspend mode
- Latch-up performance exceeds 100 mA per JESD 78 Class II
- Inputs accept voltages up to 3.6 V
- Low noise overshoot and undershoot < 10 % of  $V_{CC}$
- $I_{OFF}$  circuitry provides partial Power-down mode operation
- Specified from -40 °C to +85 °C and -40 °C to +125 °C

### 3. Ordering information

Table 1. Ordering information

Type number	Package			Version
	Temperature range	Name	Description	
74AVC1T8128GS	-40 °C to +125 °C	XSON8	extremely thin small outline package; no leads; 8 terminals; body 1.35 x 1.0 x 0.35 mm	SOT1203

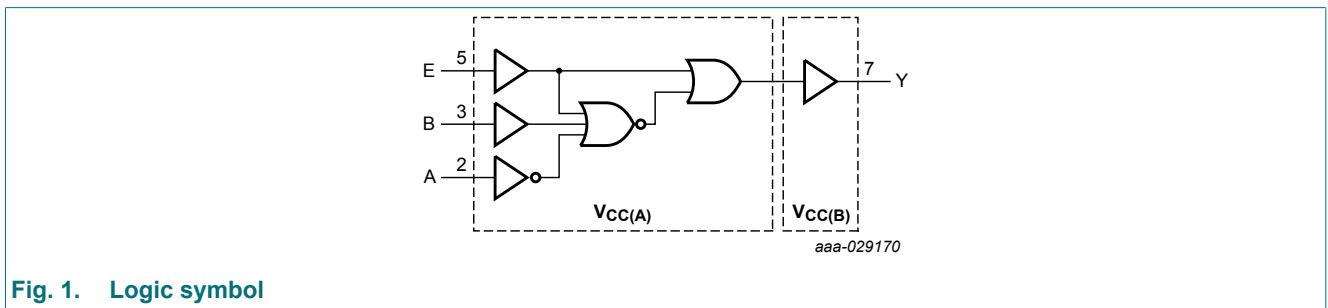
### 4. Marking

Table 2. Marking

Type number	Marking code[1]
74AVC1T8128GS	Be

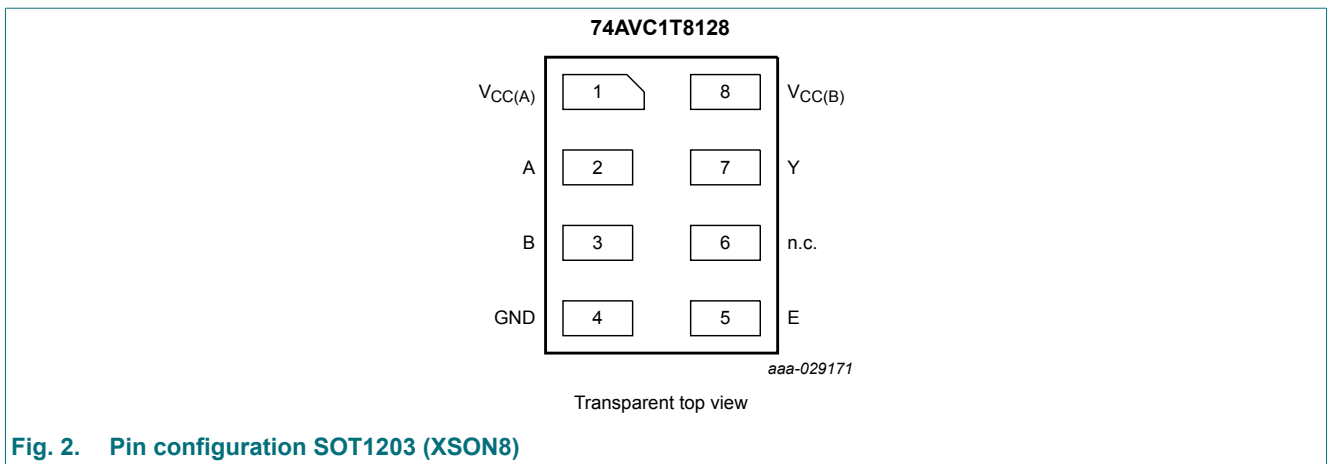
[1] The pin 1 indicator is located on the lower left corner of the device, below the marking code.

### 5. Functional diagram



### 6. Pinning information

#### 6.1. Pinning



## 6.2. Pin description

Table 3. Pin description

Symbol	Pin	Description
$V_{CC(A)}$	1	supply voltage A (referenced to pins A, B and E)
A	2	data input
B	3	data input
GND	4	ground (0 V)
E	5	enable input
n.c.	6	not connected
Y	7	data output
$V_{CC(B)}$	8	supply voltage B (referenced to pin Y)

## 7. Functional description

Table 4. Function table

H = HIGH voltage level; L = LOW voltage level; X = don't care; Z = high-impedance OFF-state.

Supply voltage	Input[1]			Output[2]
$V_{CC(A)}$ , $V_{CC(B)}$	E	B	A	Y
0.8 V to 3.6 V	L	L	L	L
0.8 V to 3.6 V	L	L	H	H
0.8 V to 3.6 V	L	H	L	L
0.8 V to 3.6 V	L	H	H	L
0.8 V to 3.6 V	H	L	L	H
0.8 V to 3.6 V	H	L	H	H
0.8 V to 3.6 V	H	H	L	H
0.8 V to 3.6 V	H	H	H	H
GND [3]	X	X	X	Z

[1] The A, B and E inputs are referenced to  $V_{CC(A)}$ .

[2] The Y output is referenced to  $V_{CC(B)}$ .

[3] If  $V_{CC(A)}$  is at GND level, the device goes into Suspend mode.

## 8. Limiting values

Table 5. Limiting values

In accordance with the Absolute Maximum Rating System (IEC 60134). Voltages are referenced to GND (ground = 0 V).

Symbol	Parameter	Conditions	Min	Max	Unit
$V_{CC(A)}$	supply voltage A		-0.5	+4.6	V
$V_{CC(B)}$	supply voltage B		-0.5	+4.6	V
$I_{IK}$	input clamping current	$V_I < 0$ V	-50	-	mA
$V_I$	input voltage		-0.5	+4.6	V
$I_{OK}$	output clamping current	$V_O < 0$ V	-50	-	mA
$V_O$	output voltage	Active mode	-0.5	$V_{CC(B)} + 0.5$	V
		Suspend mode	-0.5	+4.6	V
$I_O$	output current	$V_O = 0$ V to $V_{CC(B)}$	-	±50	mA

## Single dual-supply translating 2-input NOR with enable

Symbol	Parameter	Conditions	Min	Max	Unit
$I_{CC}$	supply current	$I_{CC(A)}$ or $I_{CC(B)}$	-	100	mA
$I_{GND}$	ground current		-100	-	mA
$T_{stg}$	storage temperature		-65	+150	°C
$P_{tot}$	total power dissipation	$T_{amb} = -40\text{ °C to }+125\text{ °C}$ [3]	-	250	mW

[1] The minimum input voltage rating and output voltage ratings may be exceeded if the input and output current ratings are observed.

[2]  $V_{CC(B)} + 0.5\text{ V}$  should not exceed 4.6 V.

[3] For SOT1203 package: above 81 °C the value of  $P_{tot}$  derates linearly with 3.6 mW/K.

## 9. Recommended operating conditions

Table 6. Recommended operating conditions

Symbol	Parameter	Conditions	Min	Max	Unit
$V_{CC(A)}$	supply voltage A		0.8	3.6	V
$V_{CC(B)}$	supply voltage B		0.8	3.6	V
$V_I$	input voltage		0	3.6	V
$V_O$	output voltage	Active mode	0	$V_{CC(B)}$	V
		Suspend mode	0	3.6	V
$T_{amb}$	ambient temperature		-40	+125	°C
$\Delta t/\Delta V$	input transition rise and fall rate	$V_{CC(A)} = 0.8\text{ V to }3.6\text{ V}$	-	5	ns/V

## 10. Static characteristics

Table 7. Typical static characteristics at  $T_{amb} = 25\text{ °C}$

At recommended operating conditions; voltages are referenced to GND (ground = 0 V).

Symbol	Parameter	Conditions	Min	Typ	Max	Unit
$V_{OH}$	HIGH-level output voltage	$V_I = V_{IH}$ or $V_{IL}$				
		$I_O = -1.5\text{ mA}; V_{CC(A)} = V_{CC(B)} = 0.8\text{ V}$	-	0.69	-	V
$V_{OL}$	LOW-level output voltage	$V_I = V_{IH}$ or $V_{IL}$				
		$I_O = 1.5\text{ mA}; V_{CC(A)} = V_{CC(B)} = 0.8\text{ V}$	-	0.07	-	V
$I_I$	input leakage current	inputs; $V_I = 0\text{ V or }3.6\text{ V}; V_{CC(A)} = 0\text{ V to }3.6\text{ V}$	-	$\pm 0.025$	$\pm 0.25$	$\mu\text{A}$
$I_{OZ}$	OFF-state output current	Y output; $V_O = 0\text{ V or }V_{CC(B)}; V_{CC(A)} = 0\text{ V}; V_{CC(B)} = 0.8\text{ V to }3.6\text{ V}$	-	$\pm 0.5$	$\pm 2.5$	$\mu\text{A}$
$I_{OFF}$	power-off leakage current	output; $V_I$ or $V_O = 0\text{ V to }3.6\text{ V}; V_{CC(B)} = 0\text{ V}; V_{CC(A)} = 0.8\text{ V to }3.6\text{ V}$	-	$\pm 0.1$	$\pm 1$	$\mu\text{A}$
$C_I$	input capacitance	$V_I = 0\text{ V or }3.3\text{ V}; V_{CC(A)} = V_{CC(B)} = 3.3\text{ V}$	-	1.0	-	pF
$C_O$	output capacitance	Y output; Suspend mode; $V_O = V_{CC(B)}$ or GND; $V_{CC(A)} = V_{CC(B)} = 3.3\text{ V}$	-	4.0	-	pF

## Single dual-supply translating 2-input NOR with enable

Table 8. Static characteristics

At recommended operating conditions; voltages are referenced to GND (ground = 0 V).

Symbol	Parameter	Conditions	-40 °C to +85 °C		-40 °C to +125 °C		Unit
			Min	Max	Min	Max	
V <sub>IH</sub>	HIGH-level input voltage	inputs					
		V <sub>CC(A)</sub> = 0.8 V	0.70V <sub>CC(A)</sub>	-	0.70V <sub>CC(A)</sub>	-	V
		V <sub>CC(A)</sub> = 1.1 V to 1.95 V	0.65V <sub>CC(A)</sub>	-	0.65V <sub>CC(A)</sub>	-	V
		V <sub>CC(A)</sub> = 2.3 V to 2.7 V	1.6	-	1.6	-	V
		V <sub>CC(A)</sub> = 3.0 V to 3.6 V	2	-	2	-	V
V <sub>IL</sub>	LOW-level input voltage	inputs					
		V <sub>CC(A)</sub> = 0.8 V	-	0.30V <sub>CC(A)</sub>	-	0.30V <sub>CC(A)</sub>	V
		V <sub>CC(A)</sub> = 1.1 V to 1.95 V	-	0.35V <sub>CC(A)</sub>	-	0.35V <sub>CC(A)</sub>	V
		V <sub>CC(A)</sub> = 2.3 V to 2.7 V	-	0.7	-	0.7	V
		V <sub>CC(A)</sub> = 3.0 V to 3.6 V	-	0.9	-	0.9	V
V <sub>OH</sub>	HIGH-level output voltage	V <sub>I</sub> = V <sub>IH</sub> or V <sub>IL</sub>					
		I <sub>O</sub> = -100 µA; V <sub>CC(B)</sub> = 0.8 V to 3.6 V	V <sub>CC(B)</sub> - 0.1	-	V <sub>CC(B)</sub> - 0.1	-	V
		I <sub>O</sub> = -3 mA; V <sub>CC(B)</sub> = 1.1 V	0.85	-	0.85	-	V
		I <sub>O</sub> = -6 mA; V <sub>CC(B)</sub> = 1.4 V	1.05	-	1.05	-	V
		I <sub>O</sub> = -8 mA; V <sub>CC(B)</sub> = 1.65 V	1.2	-	1.2	-	V
		I <sub>O</sub> = -9 mA; V <sub>CC(B)</sub> = 2.3 V	1.75	-	1.75	-	V
		I <sub>O</sub> = -12 mA; V <sub>CC(B)</sub> = 3.0 V	2.3	-	2.3	-	V
V <sub>OL</sub>	LOW-level output voltage	V <sub>I</sub> = V <sub>IH</sub> or V <sub>IL</sub>					
		I <sub>O</sub> = 100 µA; V <sub>CC(B)</sub> = 0.8 V to 3.6 V	-	0.1	-	0.1	V
		I <sub>O</sub> = 3 mA; V <sub>CC(B)</sub> = 1.1 V	-	0.25	-	0.25	V
		I <sub>O</sub> = 6 mA; V <sub>CC(B)</sub> = 1.4 V	-	0.35	-	0.35	V
		I <sub>O</sub> = 8 mA; V <sub>CC(B)</sub> = 1.65 V	-	0.45	-	0.45	V
		I <sub>O</sub> = 9 mA; V <sub>CC(B)</sub> = 2.3 V	-	0.55	-	0.55	V
		I <sub>O</sub> = 12 mA; V <sub>CC(B)</sub> = 3.0 V	-	0.7	-	0.7	V
I <sub>I</sub>	input leakage current	inputs; V <sub>I</sub> = 0 V or 3.6 V; V <sub>CC(A)</sub> = 0 V to 3.6 V	-	±1	-	±1.5	µA
I <sub>OZ</sub>	OFF-state output current	output; V <sub>O</sub> = 0 V or V <sub>CC(B)</sub> ; V <sub>CC(A)</sub> = 0 V; V <sub>CC(B)</sub> = 3.6 V	-	±5	-	±7.5	µA
I <sub>OFF</sub>	power-off leakage current	output; V <sub>I</sub> or V <sub>O</sub> = 0 V to 3.6 V; V <sub>CC(B)</sub> = 0 V; V <sub>CC(A)</sub> = 0.8 V to 3.6 V	-	±5	-	±35	µA
I <sub>CC</sub>	supply current	V <sub>CC(A)</sub> ; V <sub>I</sub> = 0 V or V <sub>CC(A)</sub> ; I <sub>O</sub> = 0 A					
		V <sub>CC(A)</sub> = 0.8 V to 3.6 V; V <sub>CC(B)</sub> = 0.8 V to 3.6 V	-	8	-	11.5	µA
		V <sub>CC(A)</sub> = 3.6 V; V <sub>CC(B)</sub> = 0 V	-	8	-	11.5	µA
		V <sub>CC(A)</sub> = 0 V; V <sub>CC(B)</sub> = 3.6 V	-2	-	-8	-	µA
		V <sub>CC(B)</sub> ; V <sub>I</sub> = 0 V or V <sub>CC(A)</sub> ; I <sub>O</sub> = 0 A					
		V <sub>CC(A)</sub> = 0.8 V to 3.6 V; V <sub>CC(B)</sub> = 0.8 V to 3.6 V	-	8	-	11.5	µA
		V <sub>CC(A)</sub> = 3.6 V; V <sub>CC(B)</sub> = 0 V	-2	-	-8	-	µA
		V <sub>CC(A)</sub> = 0 V; V <sub>CC(B)</sub> = 3.6 V	-	8	-	11.5	µA

## 11. Dynamic characteristics

**Table 9. Typical dynamic characteristics at  $T_{amb} = 25\text{ °C}$  [1]**

Voltages are referenced to GND (ground = 0 V); for test circuit see Fig. 4; for waveforms see Fig. 3.

Symbol	Parameter	Conditions	$V_{CC(B)}$			Unit
			1.8 V	2.5 V	3.3 V	
$t_{pd}$	propagation delay	A, B and E to Y				
		$V_{CC(A)} = 1.8\text{ V}$	3.1	2.8	2.7	ns
		$V_{CC(A)} = 2.5\text{ V}$	2.6	2.2	2.1	ns
		$V_{CC(A)} = 3.3\text{ V}$	2.4	2.0	1.9	ns

[1]  $t_{pd}$  is the same as  $t_{PLH}$  and  $t_{PHL}$

**Table 10. Typical power dissipation capacitance at  $V_{CC(A)} = V_{CC(B)}$  and  $T_{amb} = 25\text{ °C}$  [1] [2]**

Voltages are referenced to GND (ground = 0 V).

Symbol	Parameter	Conditions	$V_{CC(A)}$ and $V_{CC(B)}$						Unit
			0.8 V	1.2 V	1.5 V	1.8 V	2.5 V	3.3 V	
$C_{PD}$	power dissipation capacitance	inputs	0.6	0.7	0.8	0.9	1.2	1.5	pF
		output	11	11	11	11	14	18	pF

[1]  $C_{PD}$  is used to determine the dynamic power dissipation ( $P_D$  in  $\mu\text{W}$ ).

$$P_D = C_{PD} \times V_{CC}^2 \times f_i \times N + \sum(C_L \times V_{CC}^2 \times f_o) \text{ where:}$$

$f_i$  = input frequency in MHz;

$f_o$  = output frequency in MHz;

$C_L$  = load capacitance in pF;

$V_{CC}$  = supply voltage in V;

$N$  = number of inputs switching;

$\sum(C_L \times V_{CC}^2 \times f_o)$  = sum of the outputs.

[2]  $f_i = 10\text{ MHz}$ ;  $V_1 = \text{GND to } V_{CC}$ ;  $t_r = t_f = 1\text{ ns}$ ;  $C_L = 0\text{ pF}$ ;  $R_L = \infty\ \Omega$ .

**Table 11. Dynamic characteristics for temperature range  $-40\text{ °C}$  to  $+85\text{ °C}$  [1]**

Voltages are referenced to GND (ground = 0 V); for test circuit see Fig. 4; for waveforms see Fig. 3.

Symbol	Parameter	Conditions	$V_{CC(B)}$										Unit
			1.2 V $\pm 0.1\text{ V}$		1.5 V $\pm 0.1\text{ V}$		1.8 V $\pm 0.15\text{ V}$		2.5 V $\pm 0.2\text{ V}$		3.3 V $\pm 0.3\text{ V}$		
			Min	Max	Min	Max	Min	Max	Min	Max	Min	Max	
$t_{pd}$	propagation delay	A, B and E to Y											
		$V_{CC(A)} = 1.1\text{ V to } 1.3\text{ V}$	1.5	14.3	1.5	11.8	1.4	11.0	1.4	10.6	1.3	10.9	ns
		$V_{CC(A)} = 1.4\text{ V to } 1.6\text{ V}$	1.1	11.3	1.2	8.5	1.2	7.6	1.1	6.8	1.1	6.8	ns
		$V_{CC(A)} = 1.65\text{ V to } 1.95\text{ V}$	1.0	10.2	1.1	7.3	1.2	6.4	1.2	5.6	1.1	5.3	ns
		$V_{CC(A)} = 2.3\text{ V to } 2.7\text{ V}$	0.9	8.9	1.0	6.1	1.0	5.2	0.9	4.2	0.8	3.9	ns
		$V_{CC(A)} = 3.0\text{ V to } 3.6\text{ V}$	0.9	8.5	0.9	5.6	0.9	4.7	0.8	3.7	0.7	3.3	ns

[1]  $t_{pd}$  is the same as  $t_{PLH}$  and  $t_{PHL}$

Single dual-supply translating 2-input NOR with enable

Table 12. Dynamic characteristics for temperature range -40 °C to +125 °C [1]

Voltages are referenced to GND (ground = 0 V); for test circuit see Fig. 4; for waveforms see Fig. 3.

Symbol	Parameter	Conditions	V <sub>CC(B)</sub>										Unit
			1.2 V ± 0.1 V		1.5 V ± 0.1 V		1.8 V ± 0.15 V		2.5 V ± 0.2 V		3.3 V ± 0.3 V		
			Min	Max	Min	Max	Min	Max	Min	Max	Min	Max	
t <sub>pd</sub>	propagation delay	A, B and E to Y											
		V <sub>CC(A)</sub> = 1.1 V to 1.3 V	1.4	14.6	1.5	12.1	1.4	11.4	1.4	10.9	1.3	11.1	ns
		V <sub>CC(A)</sub> = 1.4 V to 1.6 V	1.1	11.8	1.2	9.0	1.2	8.1	1.1	7.3	1.1	7.1	ns
		V <sub>CC(A)</sub> = 1.65 V to 1.95 V	1.0	10.6	1.1	7.8	1.2	6.9	1.2	5.9	1.1	5.6	ns
		V <sub>CC(A)</sub> = 2.3 V to 2.7 V	0.9	9.3	1.0	6.5	1.0	5.5	0.9	4.5	0.8	4.1	ns
		V <sub>CC(A)</sub> = 3.0 V to 3.6 V	0.9	8.9	0.9	6.0	0.9	5.0	0.8	3.9	0.7	3.6	ns

[1] t<sub>pd</sub> is the same as t<sub>PLH</sub> and t<sub>PHL</sub>

11.1. Waveforms and test circuit

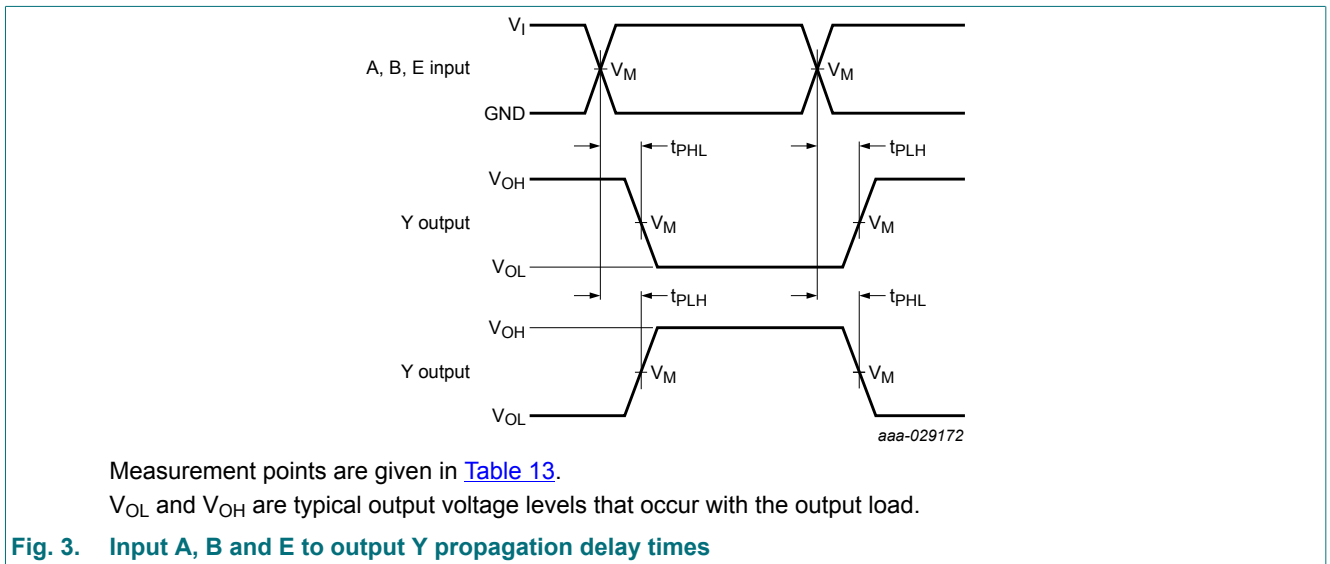
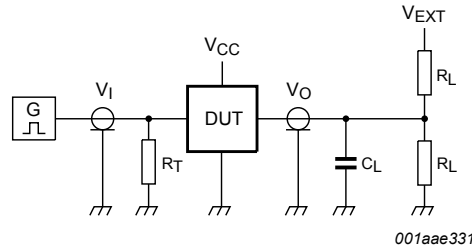
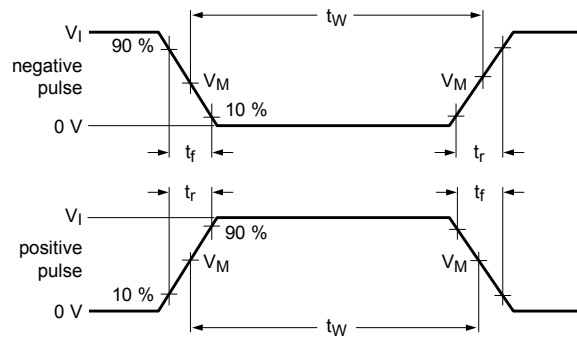


Fig. 3. Input A, B and E to output Y propagation delay times

Table 13. Measurement points

Supply voltage	Inputs	Output
V <sub>CC(A)</sub> , V <sub>CC(B)</sub>	V <sub>M</sub>	V <sub>M</sub>
0.8 V to 1.6 V	0.5V <sub>CC(A)</sub>	0.5V <sub>CC(B)</sub>
1.65 V to 2.7 V	0.5V <sub>CC(A)</sub>	0.5V <sub>CC(B)</sub>
3.0 V to 3.6 V	0.5V <sub>CC(A)</sub>	0.5V <sub>CC(B)</sub>

Single dual-supply translating 2-input NOR with enable



001aae331

Test data is given in [Table 14](#).

$R_L$  = Load resistance.

$C_L$  = Load capacitance including jig and probe capacitance.

$R_T$  = Termination resistance.

$V_{EXT}$  = External voltage for measuring switching times.

**Fig. 4. Test circuit for measuring switching times**

**Table 14. Test data**

Supply voltage	Input		Load		$V_{EXT}$
$V_{CC(A)}, V_{CC(B)}$	$V_I$	$\Delta t/\Delta V$ [1]	$C_L$	$R_L$	$t_{PLH}, t_{PHL}$
0.8 V to 1.6 V	$V_{CC(A)}$	$\leq 1.0$ ns/V	15 pF	2 k $\Omega$	open
1.65 V to 2.7 V	$V_{CC(A)}$	$\leq 1.0$ ns/V	15 pF	2 k $\Omega$	open
3.0 V to 3.6 V	$V_{CC(A)}$	$\leq 1.0$ ns/V	15 pF	2 k $\Omega$	open

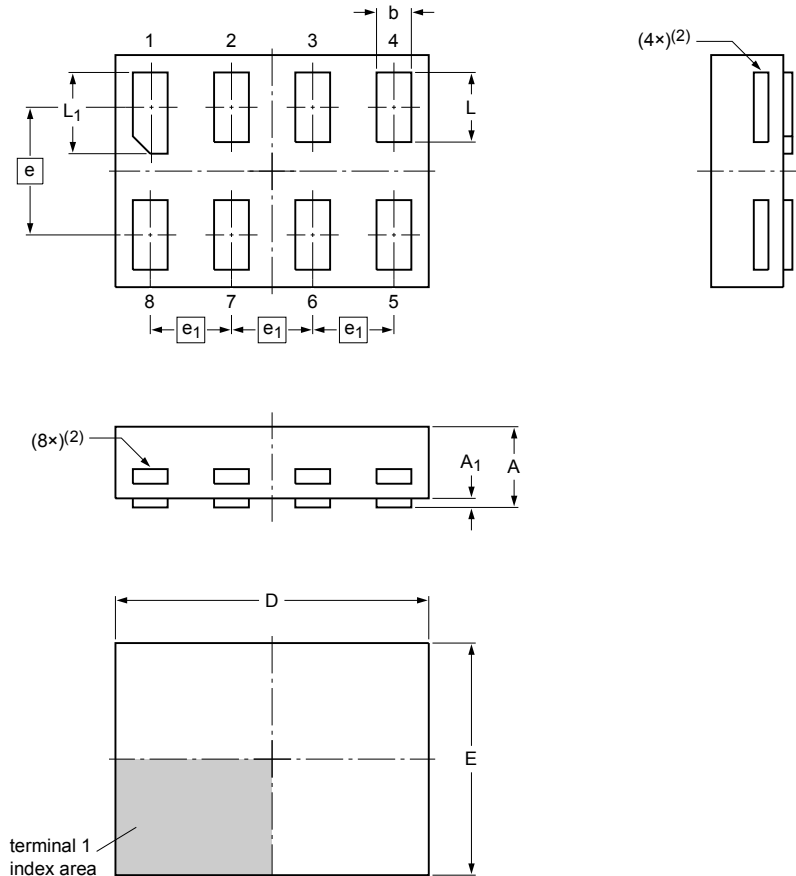
[1]  $dV/dt \geq 1.0$  V/ns



## 12. Package outline

**XSON8: extremely thin small outline package; no leads;**  
**8 terminals; body 1.35 x 1.0 x 0.35 mm**

SOT1203



**Dimensions**

Unit	A <sup>(1)</sup>	A <sub>1</sub>	b	D	E	e	e <sub>1</sub>	L	L <sub>1</sub>
max	0.35	0.04	0.20	1.40	1.05			0.35	0.40
nom			0.15	1.35	1.00	0.55	0.35	0.30	0.35
min			0.12	1.30	0.95			0.27	0.32

**Note**

- Including plating thickness.
- Visible depending upon used manufacturing technology.

sot1203\_po

Outline version	References			European projection	Issue date
	IEC	JEDEC	JEITA		
SOT1203					10-04-02 10-04-06

**Fig. 5. Package outline SOT1203 (XSON8)**

## 13. Abbreviations

Table 15. Abbreviations

Acronym	Description
CDM	Charged Device Model
DUT	Device Under Test
ESD	ElectroStatic Discharge
HBM	Human Body Model

## 14. Revision history

Table 16. Revision history

Document ID	Release date	Data sheet status	Change notice	Supersedes
74AVC1T8128 v.1	20181010	Product data sheet	-	-

## 15. Legal information

### Data sheet status

Document status [1][2]	Product status [3]	Definition
Objective [short] data sheet	Development	This document contains data from the objective specification for product development.
Preliminary [short] data sheet	Qualification	This document contains data from the preliminary specification.
Product [short] data sheet	Production	This document contains the product specification.

- [1] Please consult the most recently issued document before initiating or completing a design.
- [2] The term 'short data sheet' is explained in section "Definitions".
- [3] The product status of device(s) described in this document may have changed since this document was published and may differ in case of multiple devices. The latest product status information is available on the internet at <https://www.nexperia.com>.

### Definitions

**Draft** — The document is a draft version only. The content is still under internal review and subject to formal approval, which may result in modifications or additions. Nexperia does not give any representations or warranties as to the accuracy or completeness of information included herein and shall have no liability for the consequences of use of such information.

**Short data sheet** — A short data sheet is an extract from a full data sheet with the same product type number(s) and title. A short data sheet is intended for quick reference only and should not be relied upon to contain detailed and full information. For detailed and full information see the relevant full data sheet, which is available on request via the local Nexperia sales office. In case of any inconsistency or conflict with the short data sheet, the full data sheet shall prevail.

**Product specification** — The information and data provided in a Product data sheet shall define the specification of the product as agreed between Nexperia and its customer, unless Nexperia and customer have explicitly agreed otherwise in writing. In no event however, shall an agreement be valid in which the Nexperia product is deemed to offer functions and qualities beyond those described in the Product data sheet.

### Disclaimers

**Limited warranty and liability** — Information in this document is believed to be accurate and reliable. However, Nexperia does not give any representations or warranties, expressed or implied, as to the accuracy or completeness of such information and shall have no liability for the consequences of use of such information. Nexperia takes no responsibility for the content in this document if provided by an information source outside of Nexperia.

In no event shall Nexperia be liable for any indirect, incidental, punitive, special or consequential damages (including - without limitation - lost profits, lost savings, business interruption, costs related to the removal or replacement of any products or rework charges) whether or not such damages are based on tort (including negligence), warranty, breach of contract or any other legal theory.

Notwithstanding any damages that customer might incur for any reason whatsoever, Nexperia's aggregate and cumulative liability towards customer for the products described herein shall be limited in accordance with the Terms and conditions of commercial sale of Nexperia.

**Right to make changes** — Nexperia reserves the right to make changes to information published in this document, including without limitation specifications and product descriptions, at any time and without notice. This document supersedes and replaces all information supplied prior to the publication hereof.

**Suitability for use** — Nexperia products are not designed, authorized or warranted to be suitable for use in life support, life-critical or safety-critical systems or equipment, nor in applications where failure or malfunction of an Nexperia product can reasonably be expected to result in personal

injury, death or severe property or environmental damage. Nexperia and its suppliers accept no liability for inclusion and/or use of Nexperia products in such equipment or applications and therefore such inclusion and/or use is at the customer's own risk.

**Quick reference data** — The Quick reference data is an extract of the product data given in the Limiting values and Characteristics sections of this document, and as such is not complete, exhaustive or legally binding.

**Applications** — Applications that are described herein for any of these products are for illustrative purposes only. Nexperia makes no representation or warranty that such applications will be suitable for the specified use without further testing or modification.

Customers are responsible for the design and operation of their applications and products using Nexperia products, and Nexperia accepts no liability for any assistance with applications or customer product design. It is customer's sole responsibility to determine whether the Nexperia product is suitable and fit for the customer's applications and products planned, as well as for the planned application and use of customer's third party customer(s). Customers should provide appropriate design and operating safeguards to minimize the risks associated with their applications and products.

Nexperia does not accept any liability related to any default, damage, costs or problem which is based on any weakness or default in the customer's applications or products, or the application or use by customer's third party customer(s). Customer is responsible for doing all necessary testing for the customer's applications and products using Nexperia products in order to avoid a default of the applications and the products or of the application or use by customer's third party customer(s). Nexperia does not accept any liability in this respect.

**Limiting values** — Stress above one or more limiting values (as defined in the Absolute Maximum Ratings System of IEC 60134) will cause permanent damage to the device. Limiting values are stress ratings only and (proper) operation of the device at these or any other conditions above those given in the Recommended operating conditions section (if present) or the Characteristics sections of this document is not warranted. Constant or repeated exposure to limiting values will permanently and irreversibly affect the quality and reliability of the device.

**Terms and conditions of commercial sale** — Nexperia products are sold subject to the general terms and conditions of commercial sale, as published at <http://www.nexperia.com/profile/terms>, unless otherwise agreed in a valid written individual agreement. In case an individual agreement is concluded only the terms and conditions of the respective agreement shall apply. Nexperia hereby expressly objects to applying the customer's general terms and conditions with regard to the purchase of Nexperia products by customer.

**No offer to sell or license** — Nothing in this document may be interpreted or construed as an offer to sell products that is open for acceptance or the grant, conveyance or implication of any license under any copyrights, patents or other industrial or intellectual property rights.

**Export control** — This document as well as the item(s) described herein may be subject to export control regulations. Export might require a prior authorization from competent authorities.

**Non-automotive qualified products** — Unless this data sheet expressly states that this specific Nexperia product is automotive qualified, the product is not suitable for automotive use. It is neither qualified nor tested in accordance with automotive testing or application requirements. Nexperia accepts no liability for inclusion and/or use of non-automotive qualified products in automotive equipment or applications.

In the event that customer uses the product for design-in and use in automotive applications to automotive specifications and standards, customer (a) shall use the product without Nexperia's warranty of the product for such automotive applications, use and specifications, and (b) whenever customer uses the product for automotive applications beyond Nexperia's specifications such use shall be solely at customer's own risk, and (c) customer fully indemnifies Nexperia for any liability, damages or failed product claims resulting from customer design and use of the product for automotive applications beyond Nexperia's standard warranty and Nexperia's product specifications.

**Translations** — A non-English (translated) version of a document is for reference only. The English version shall prevail in case of any discrepancy between the translated and English versions.

### Trademarks

Notice: All referenced brands, product names, service names and trademarks are the property of their respective owners.

## Contents

---

<b>1. General description</b> .....	<b>1</b>
<b>2. Features and benefits</b> .....	<b>1</b>
<b>3. Ordering information</b> .....	<b>2</b>
<b>4. Marking</b> .....	<b>2</b>
<b>5. Functional diagram</b> .....	<b>2</b>
<b>6. Pinning information</b> .....	<b>2</b>
6.1. Pinning.....	2
6.2. Pin description.....	3
<b>7. Functional description</b> .....	<b>3</b>
<b>8. Limiting values</b> .....	<b>3</b>
<b>9. Recommended operating conditions</b> .....	<b>4</b>
<b>10. Static characteristics</b> .....	<b>4</b>
<b>11. Dynamic characteristics</b> .....	<b>6</b>
11.1. Waveforms and test circuit.....	7
<b>12. Package outline</b> .....	<b>9</b>
<b>13. Abbreviations</b> .....	<b>10</b>
<b>14. Revision history</b> .....	<b>10</b>
<b>15. Legal information</b> .....	<b>11</b>

---

© Nexperia B.V. 2018. All rights reserved

For more information, please visit: <http://www.nexperia.com>

For sales office addresses, please send an email to: [salesaddresses@nexperia.com](mailto:salesaddresses@nexperia.com)

Date of release: 10 October 2018

---