

# DATA SHEET

For a complete data sheet, please also download:

- The IC06 74HC/HCT/HCU/HCMOS Logic Family Specifications
- The IC06 74HC/HCT/HCU/HCMOS Logic Package Information
- The IC06 74HC/HCT/HCU/HCMOS Logic Package Outlines

## **74HC/HCT4351** 8-channel analog multiplexer/demultiplexer with latch

Product specification  
File under Integrated Circuits, IC06

December 1990

## 8-channel analog multiplexer/demultiplexer with latch

74HC/HCT4351

### FEATURES

- Wide analog input voltage range:  $\pm 5$  V
- Low "ON" resistance:
  - 80  $\Omega$  (typ.) at  $V_{CC} - V_{EE} = 4.5$  V
  - 70  $\Omega$  (typ.) at  $V_{CC} - V_{EE} = 6.0$  V
  - 60  $\Omega$  (typ.) at  $V_{CC} - V_{EE} = 9.0$  V
- Logic level translation: to enable 5 V logic to communicate with  $\pm 5$  V analog signals
- Typical "break before make" built in
- Address latches provided
- Output capability: non-standard
- $I_{CC}$  category: MSI

### GENERAL DESCRIPTION

The 74HC/HCT4351 are high-speed Si-gate CMOS devices. They are specified in compliance with JEDEC standard no. 7A.

The 74HC/HCT4351 are 8-channel analog multiplexers/demultiplexers with three select inputs ( $S_0$  to  $S_2$ ), two enable inputs ( $\bar{E}_1$  and  $E_2$ ), a latch enable input ( $\bar{LE}$ ), eight independent inputs/outputs ( $Y_0$  to  $Y_7$ ) and a common input/output ( $Z$ ).

With  $\bar{E}_1$  LOW and  $E_2$  is HIGH, one of the eight switches is selected (low impedance ON-state) by  $S_0$  to  $S_2$ . The data at the select inputs may be latched by using the active LOW latch enable input ( $\bar{LE}$ ). When  $\bar{LE}$  is HIGH the latch is transparent. When either of the two enable inputs,  $\bar{E}_1$  (active LOW) and  $E_2$  (active HIGH), is inactive, all 8 analog switches are turned off.

$V_{CC}$  and GND are the supply voltage pins for the digital control inputs ( $S_0$  to  $S_2$ ,  $\bar{LE}$ ,  $\bar{E}_1$  and  $E_2$ ). The  $V_{CC}$  to GND ranges are 2.0 to 10.0 V for HC and 4.5 to 5.5 V for HCT. The analog inputs/outputs ( $Y_0$  to  $Y_7$ , and  $Z$ ) can swing between  $V_{CC}$  as a positive limit and  $V_{EE}$  as a negative limit.

$V_{CC} - V_{EE}$  may not exceed 10.0 V.

For operation as a digital multiplexer/demultiplexer,  $V_{EE}$  is connected to GND (typically ground).

### QUICK REFERENCE DATA

$V_{EE} = \text{GND} = 0$  V;  $T_{\text{amb}} = 25$  °C;  $t_r = t_f = 6$  ns

SYMBOL	PARAMETER	CONDITIONS	TYPICAL		UNIT
			HC	HCT	
$t_{PZH} / t_{PZL}$	turn "ON" time $\bar{E}_1$ , $E_2$ or $S_n$ to $V_{os}$	$C_L = 15$ pF; $R_L = 1$ k $\Omega$ ; $V_{CC} = 5$ V	27	35	ns
$t_{PHZ} / t_{PLZ}$	turn "OFF" time $\bar{E}_1$ , $E_2$ or $S_n$ to $V_{os}$		21	23	ns
$C_I$	input capacitance		3.5	3.5	pF
$C_{PD}$	power dissipation capacitance per switch	notes 1 and 2	25	25	pF
$C_S$	max. switch capacitance independent (Y) common (Z)		5	5	pF
			25	25	pF

### Notes

1.  $C_{PD}$  is used to determine the dynamic power dissipation ( $P_D$  in  $\mu$ W):

$$P_D = C_{PD} \times V_{CC}^2 \times f_i + \sum \{(C_L + C_S) \times V_{CC}^2 \times f_o\}$$

where:

$f_i$  = input frequency in MHz

$f_o$  = output frequency in MHz

$C_L$  = output load capacitance in pF

$C_S$  = max. switch capacitance in pF

$\sum \{(C_L + C_S) \times V_{CC}^2 \times f_o\}$  = sum of outputs

$V_{CC}$  = supply voltage in V

2. For HC the condition is  $V_I = \text{GND}$  to  $V_{CC}$   
For HCT the condition is  $V_I = \text{GND}$  to  $V_{CC} - 1.5$  V

### ORDERING INFORMATION

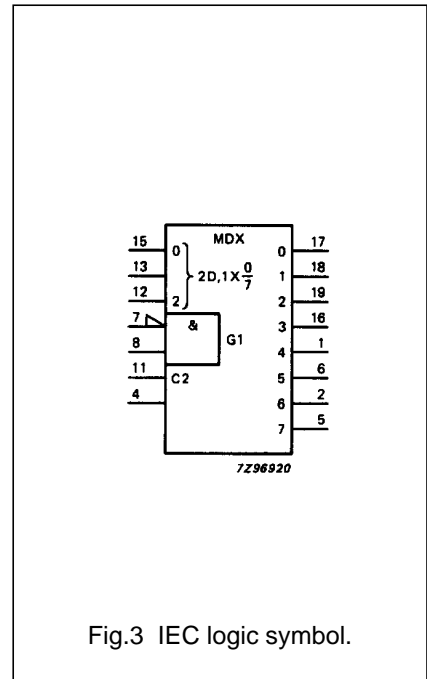
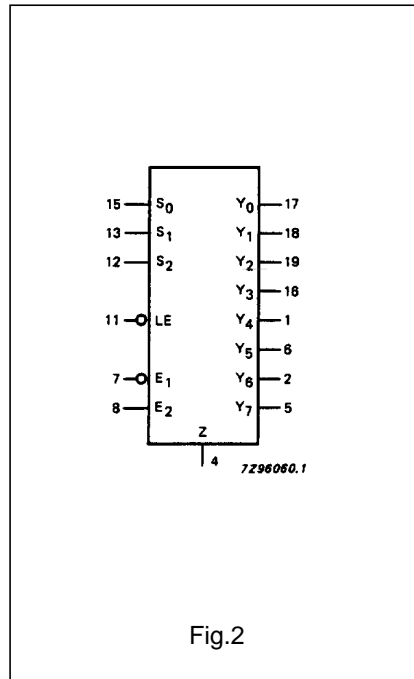
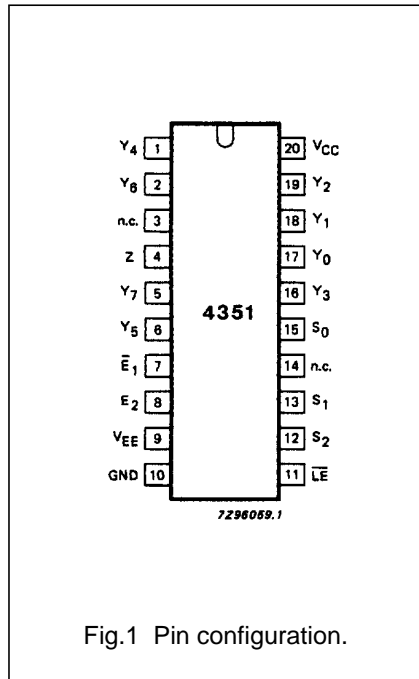
See "74HC/HCT/HCU/HCMOS Logic Package Information".

# 8-channel analog multiplexer/demultiplexer with latch

74HC/HCT4351

## PIN DESCRIPTION

PIN NO.	SYMBOL	NAME AND FUNCTION
4	Z	common
3, 14	n.c.	not connected
7	$\bar{E}_1$	enable input (active LOW)
8	$E_2$	enable input (active HIGH)
9	$V_{EE}$	negative supply voltage
10	GND	ground (0 V)
11	$\bar{LE}$	latch enable input (active LOW)
15, 13, 12	$S_0$ to $S_2$	select inputs
17, 18, 19, 16, 1, 6, 2, 5	$Y_0$ to $Y_7$	independent inputs/outputs
20	$V_{CC}$	positive supply voltage



# 8-channel analog multiplexer/demultiplexer with latch

74HC/HCT4351

### FUNCTION TABLE

INPUTS						CHANNEL ON
$\bar{E}_1$	$E_2$	$\bar{LE}$	$S_2$	$S_1$	$S_0$	
H	X	X	X	X	X	none
X	L	X	X	X	X	none
L	H	H	L	L	L	$Y_0$
L	H	H	L	L	H	$Y_1$
L	H	H	L	H	L	$Y_2$
L	H	H	L	H	H	$Y_3$
L	H	H	H	L	L	$Y_4$
L	H	H	H	L	H	$Y_5$
L	H	H	H	H	L	$Y_6$
L	H	H	H	H	H	$Y_7$
L	H	L	X	X	X	(1)
X	X	↓	X	X	X	(2)

### Notes

1. Last selected channel "ON".
2. Selected channels latched.
3. H = HIGH voltage level  
L = LOW voltage level  
X = don't care  
↓ = HIGH-to-LOW  $\bar{LE}$  transition

### APPLICATIONS

- Analog multiplexing and demultiplexing
- Digital multiplexing and demultiplexing
- Signal gating

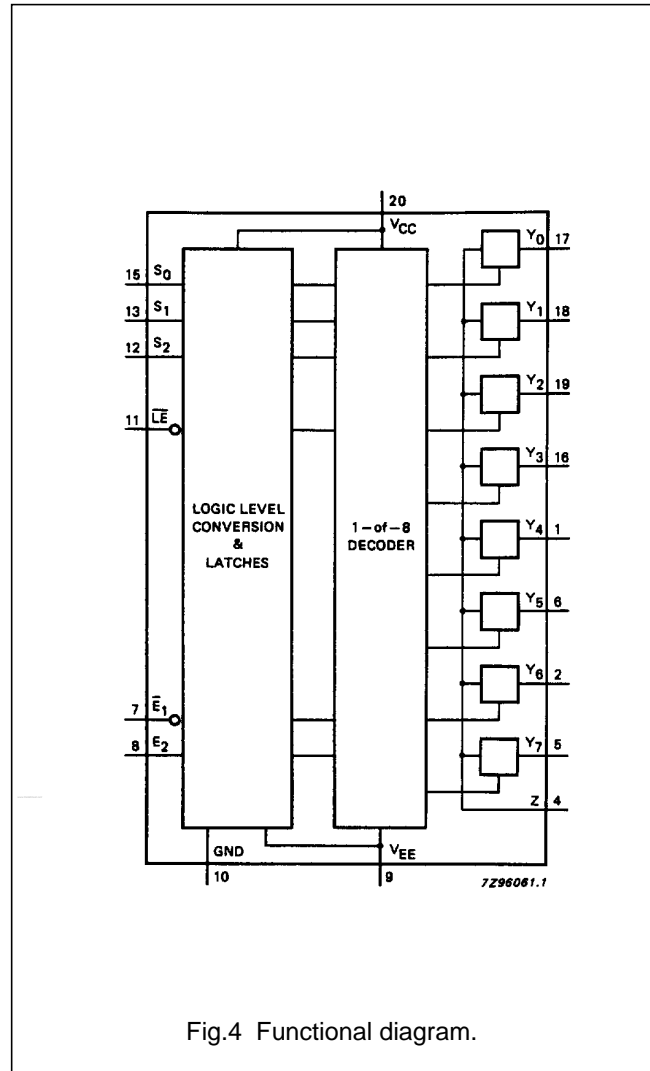


Fig.4 Functional diagram.

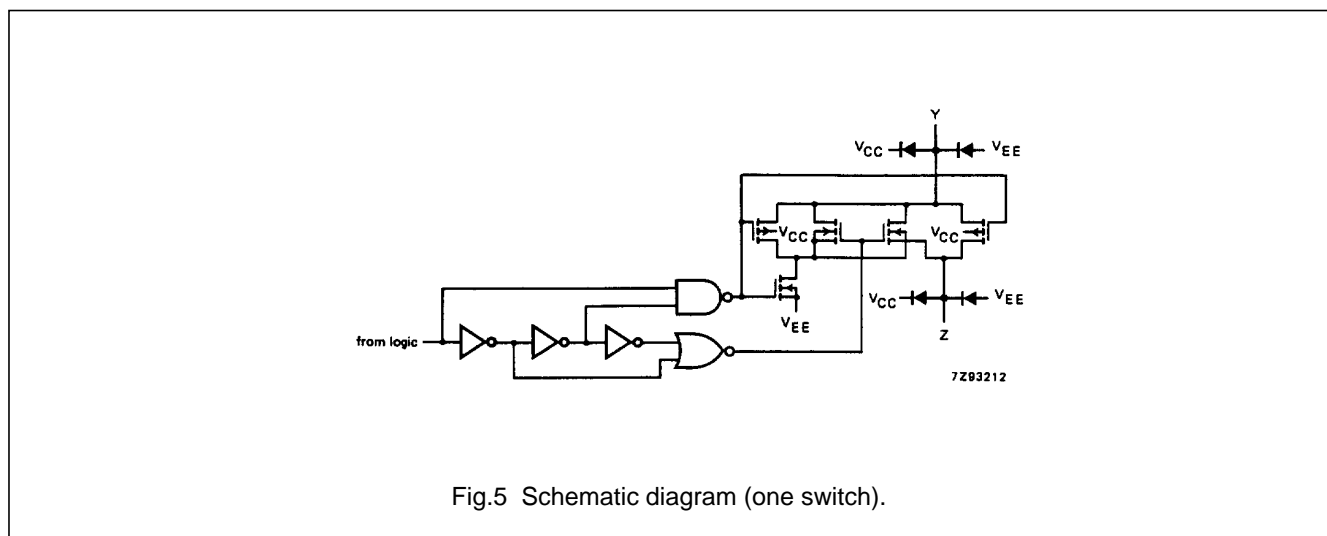


Fig.5 Schematic diagram (one switch).

# 8-channel analog multiplexer/demultiplexer with latch

74HC/HCT4351

## RATINGS

Limiting values in accordance with the Absolute Maximum System (IEC 134)

Voltages are referenced to  $V_{EE} = \text{GND}$  (ground = 0 V)

SYMBOL	PARAMETER	MIN.	MAX.	UNIT	CONDITIONS
$V_{CC}$	DC supply voltage	-0.5	+11.0	V	
$\pm I_{IK}$	DC digital input diode current		20	mA	for $V_I < -0.5 \text{ V}$ or $V_I > V_{CC} + 0.5 \text{ V}$
$\pm I_{SK}$	DC switch diode current		20	mA	for $V_S < -0.5 \text{ V}$ or $V_S > V_{CC} + 0.5 \text{ V}$
$\pm I_S$	DC switch current		25	mA	for $-0.5 \text{ V} < V_S < V_{CC} + 0.5 \text{ V}$
$\pm I_{EE}$	DC $V_{EE}$ current		20	mA	
$\pm I_{CC}; \pm I_{GND}$	DC $V_{CC}$ or GND current		50	mA	
$T_{stg}$	storage temperature range	-65	+150	°C	
$P_{tot}$	power dissipation per package				for temperature range: -40 to +125 °C 74HC/HCT
	plastic DIL		750	mW	above +70 °C: derate linearly with 12 mW/K
	plastic mini-pack (SO)		500	mW	above +70 °C: derate linearly with 8 mW/K
$P_S$	power dissipation per switch		100	mW	

### Note to ratings

- To avoid drawing  $V_{CC}$  current out of terminal Z, when switch current flows in terminals  $Y_n$ , the voltage drop across the bidirectional switch must not exceed 0.4 V. If the switch current flows into terminal Z, no  $V_{CC}$  current will flow out of terminals  $Y_n$ . In this case there is no limit for the voltage drop across the switch, but the voltages at  $Y_n$  and Z may not exceed  $V_{CC}$  or  $V_{EE}$ .

## RECOMMENDED OPERATING CONDITIONS

SYMBOL	PARAMETER	74HC			74HCT			UNIT	CONDITIONS
		min.	typ.	max.	min.	typ.	max.		
$V_{CC}$	DC supply voltage $V_{CC}-\text{GND}$	2.0	5.0	10.0	4.5	5.0	5.5	V	see Figs 6 and 7
$V_{CC}$	DC supply voltage $V_{CC}-V_{EE}$	2.0	5.0	10.0	2.0	5.0	10.0	V	see Figs 6 and 7
$V_I$	DC input voltage range	GND		$V_{CC}$	GND		$V_{CC}$	V	
$V_S$	DC switch voltage range	$V_{EE}$		$V_{CC}$	$V_{EE}$		$V_{CC}$	V	
$T_{amb}$	operating ambient temperature range	-40		+85	-40		+85	°C	see DC and AC CHARACTERISTICS
$T_{amb}$	operating ambient temperature range	-40		+125	-40		+125	°C	
$t_r, t_f$	input rise and fall times		6.0	1000 500 400 250		6.0	500	ns	$V_{CC} = 2.0 \text{ V}$ $V_{CC} = 4.5 \text{ V}$ $V_{CC} = 6.0 \text{ V}$ $V_{CC} = 10.0 \text{ V}$

# 8-channel analog multiplexer/demultiplexer with latch

## 74HC/HCT4351

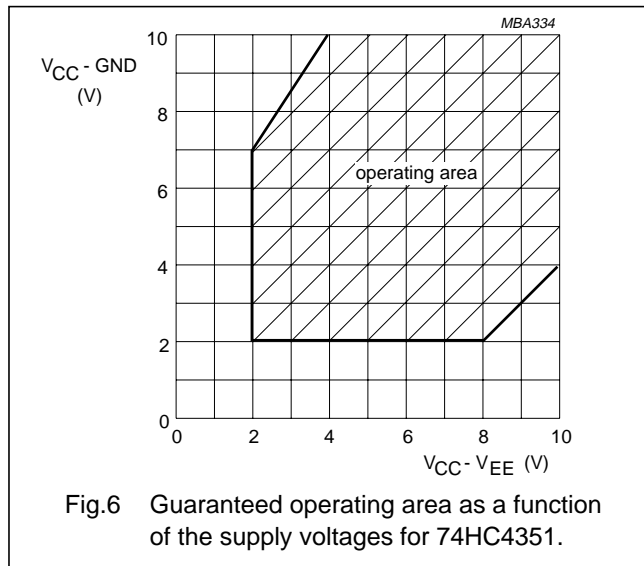


Fig.6 Guaranteed operating area as a function of the supply voltages for 74HC4351.

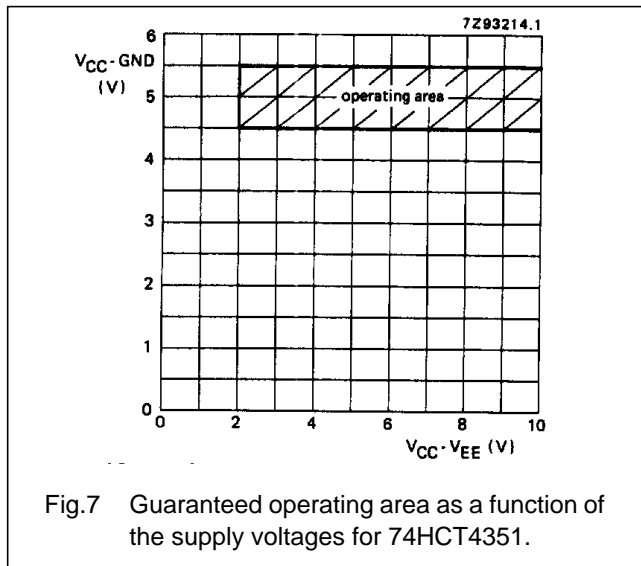


Fig.7 Guaranteed operating area as a function of the supply voltages for 74HCT4351.

### DC CHARACTERISTICS FOR 74HC/HCT

For 74HC:  $V_{CC} - GND$  or  $V_{CC} - V_{EE} = 2.0, 4.5, 6.0$  and  $9.0$  V

For 74HCT:  $V_{CC} - GND = 4.5$  and  $5.5$  V;  $V_{CC} - V_{EE} = 2.0, 4.5, 6.0$  and  $9.0$  V

SYMBOL	PARAMETER	$T_{amb}$ (°C)						UNIT	TEST CONDITIONS					
		74HC/HCT							$V_{CC}$ (V)	$V_{EE}$ (V)	$I_s$ (µA)	$V_{is}$	$V_i$	
		+25			-40 to +85		-40 to +125							
		min.	typ.	max.	min.	max.	min.							max.
$R_{ON}$	ON resistance (rail)		-	-		-		-	Ω	2.0	0	100	$V_{CC}$ to $V_{EE}$	$V_{IN}$ or $V_{IL}$
			100	180		225		270	Ω	4.5	0	1000		
			90	160		200		240	Ω	6.0	0	1000		
			70	130		165		195	Ω	4.5	-4.5	1000		
$R_{ON}$	ON resistance (rail)		150	-		-		-	Ω	2.0	0	100	$V_{EE}$	$V_{IH}$ or $V_{IL}$
			80	140		175		210	Ω	4.5	0	1000		
			70	120		150		180	Ω	6.0	0	1000		
			60	105		130		160	Ω	4.5	-4.5	1000		
$R_{ON}$	ON resistance (rail)		150	-		-		-	Ω	2.0	0	100	$V_{CC}$	$V_{IH}$ or $V_{IL}$
			90	160		200		240	Ω	4.5	0	1000		
			80	140		175		210	Ω	6.0	0	1000		
			65	120		150		180	Ω	4.5	-4.5	1000		
$\Delta R_{ON}$	maximum $\Delta$ ON resistance between any two channels		-						Ω	2.0	0		$V_{CC}$ to $V_{EE}$	$V_{IH}$ or $V_{IL}$
			9						Ω	4.5	0			
			8						Ω	6.0	0			
			6						Ω	4.5	-4.5			

### Notes to DC characteristics

- At supply voltages ( $V_{CC} - V_{EE}$ ) approaching 2.0 V, the analog switch ON-resistance becomes extremely non-linear. There it is recommended that these devices be used to transmit digital signals only, when using these supply voltages.
- For test circuit measuring  $R_{ON}$  see Fig.8.

# 8-channel analog multiplexer/demultiplexer with latch

74HC/HCT4351

**DC CHARACTERISTICS FOR 74HC**

Voltages are referenced to GND (ground = 0 V)

SYMBOL	PARAMETER	T <sub>amb</sub> (°C)							UNIT	TEST CONDITIONS			
		74HC								V <sub>CC</sub> (V)	V <sub>EE</sub> (V)	V <sub>I</sub>	OTHER
		+25			-40 to +85		-40 to +125						
		min.	typ.	max.	min.	max.	min.	max.					
V <sub>IH</sub>	HIGH level input voltage	1.5 3.15 4.2 6.3	1.2 2.4 3.2 4.7		1.5 3.15 4.2 6.3		1.5 3.15 4.2 6.3		V	2.0 4.5 6.0 9.0			
V <sub>IL</sub>	LOW level input voltage		0.8 2.1 2.8 4.3	0.5 1.35 1.8 2.7		0.5 1.35 1.8 2.7		0.5 1.35 1.8 2.7	V	2.0 4.5 6.0 9.0			
±I <sub>I</sub>	input leakage current			0.1 0.2		1.0 2.0		1.0 2.0	µA	6.0 10.0	0 0	V <sub>CC</sub> or GND	
±I <sub>S</sub>	analog switch OFF-state current per channel			0.1		1.0		1.0	µA	10.0	0	V <sub>IH</sub> or V <sub>IL</sub>	I <sub>S</sub>   = V <sub>CC</sub> - V <sub>EE</sub> (see Fig.10)
±I <sub>S</sub>	analog switch OFF-state current all channels			0.4		4.0		4.0	µA	10.0	0	V <sub>IH</sub> or V <sub>IL</sub>	I <sub>S</sub>   = V <sub>CC</sub> - V <sub>EE</sub> (see Fig.10)
±I <sub>S</sub>	analog switch ON-state current			0.4		4.0		4.0	µA	10.0	0	V <sub>IH</sub> or V <sub>IL</sub>	I <sub>S</sub>   = V <sub>CC</sub> - V <sub>EE</sub> (see Fig.11)
I <sub>CC</sub>	quiescent supply current			8.0 16.0		80.0 160.0		160.0 320.0	µA	6.0 10.0	0 0	V <sub>CC</sub> or GND	V <sub>is</sub> = V <sub>EE</sub> or V <sub>CC</sub> ; V <sub>os</sub> = V <sub>CC</sub> or V <sub>EE</sub>

# 8-channel analog multiplexer/demultiplexer with latch

74HC/HCT4351

**AC CHARACTERISTICS FOR 74HC**GND = 0 V;  $t_r = t_f = 6$  ns;  $C_L = 50$  pF

SYMBOL	PARAMETER	$T_{amb}$ (°C)						UNIT	TEST CONDITIONS			
		74HC							$V_{CC}$ (V)	$V_{EE}$ (V)	OTHER	
		+25			-40 to +85		-40 to +125					
		min.	typ.	max.	min.	max.	min.		max.			
$t_{PHL}/t_{PLH}$	propagation delay $V_{is}$ to $V_{os}$		14 5 4 4	60 12 10 8		75 15 13 10		90 18 15 12	ns	2.0 4.5 6.0 4.5	0 0 0 -4.5	$R_L = \infty$ ; $C_L = 50$ pF (see Fig.17)
$t_{PZH}/t_{PZL}$	turn "ON" time $\bar{E}_1$ to $V_{os}$		85 31 25 28	300 60 51 55		375 75 64 69		450 90 77 83	ns	2.0 4.5 6.0 4.5	0 0 0 -4.5	$R_L = 1$ k $\Omega$ ; $C_L = 50$ pF (see Fig.18)
$t_{PZH}/t_{PZL}$	turn "ON" time $E_2$ to $V_{os}$		85 31 25 25	300 60 51 55		375 75 64 69		450 90 77 83	ns	2.0 4.5 6.0 4.5	0 0 0 -4.5	$R_L = 1$ k $\Omega$ ; $C_L = 50$ pF (see Fig.18)
$t_{PZH}/t_{PZL}$	turn "ON" time $\bar{LE}$ to $V_{os}$		91 33 26 27	300 60 51 55		375 75 64 69		450 90 77 83	ns	2.0 4.5 6.0 4.5	0 0 0 -4.5	$R_L = 1$ k $\Omega$ ; $C_L = 50$ pF (see Fig.18)
$t_{PZH}/t_{PZL}$	turn "ON" time $S_n$ to $V_{os}$		88 32 26 25	300 60 51 50		375 75 64 63		450 90 77 75	ns	2.0 4.5 6.0 4.5	0 0 0 -4.5	$R_L = 1$ k $\Omega$ ; $C_L = 50$ pF (see Fig.18)
$t_{PHZ}/t_{PLZ}$	turn "OFF" time $\bar{E}_1$ to $V_{os}$		69 25 20 20	250 50 43 40		315 63 54 50		375 75 64 60	ns	2.0 4.5 6.0 4.5	0 0 0 -4.5	$R_L = 1$ k $\Omega$ ; $C_L = 50$ pF (see Fig.18)
$t_{PHZ}/t_{PLZ}$	turn "OFF" time $E_2$ to $V_{os}$		72 26 21 19	250 50 43 40		315 63 54 50		375 75 64 60	ns	2.0 4.5 6.0 4.5	0 0 0 -4.5	$R_L = 1$ k $\Omega$ ; $C_L = 50$ pF (see Fig.18)
$t_{PHZ}/t_{PLZ}$	turn "OFF" time $\bar{LE}$ to $V_{os}$		83 30 24 26	275 55 47 45		345 69 59 56		415 83 71 68	ns	2.0 4.5 6.0 4.5	0 0 0 -4.5	$R_L = 1$ k $\Omega$ ; $C_L = 50$ pF (see Fig.18)
$t_{PHZ}/t_{PLZ}$	turn "OFF" time $S_n$ to $V_{os}$		80 29 23 24	275 55 47 48		345 69 59 60		415 83 71 72	ns	2.0 4.5 6.0 4.5	0 0 0 -4.5	$R_L = 1$ k $\Omega$ ; $C_L = 50$ pF (see Fig.18)



8-channel analog multiplexer/demultiplexer  
with latch

74HC/HCT4351

SYMBOL	PARAMETER	T <sub>amb</sub> (°C)							UNIT	TEST CONDITIONS		
		74HC								V <sub>CC</sub> (V)	V <sub>EE</sub> (V)	OTHER
		+25			-40 to +85		-40 to +125					
		min.	typ.	max.	min.	max.	min.	max.				
t <sub>su</sub>	set-up time S <sub>n</sub> to $\overline{\text{LE}}$	60	17			75		90	ns	2.0	0	R <sub>L</sub> = 1 kΩ; C <sub>L</sub> = 50 pF (see Fig.19)
		12	6			15		18		4.5	0	
		10	5			13		15		6.0	0	
		18	9			23		27		4.5	-4.5	
t <sub>h</sub>	hold time S <sub>n</sub> to $\overline{\text{LE}}$	5	-8			5		5	ns	2.0	0	R <sub>L</sub> = 1 kΩ; C <sub>L</sub> = 50 pF (see Fig.19)
		5	-3			5		5		4.5	0	
		5	-2			5		5		6.0	0	
		5	-4			5		5		4.5	-4.5	
t <sub>w</sub>	$\overline{\text{LE}}$ minimum pulse width HIGH	100	11			125		150	ns	2.0	0	R <sub>L</sub> = 1 kΩ; C <sub>L</sub> = 50 pF (see Fig.19)
		20	1			25		30		4.5	0	
		17	3			21		26		6.0	0	
		25	7			31		38		4.5	-4.5	

# 8-channel analog multiplexer/demultiplexer with latch

74HC/HCT4351

**DC CHARACTERISTICS FOR 74HCT**

Voltages are referenced to GND (ground = 0)

SYMBOL	PARAMETER	T <sub>amb</sub> (°C)							UNIT	TEST CONDITIONS			
		74HCT								V <sub>CC</sub> (V)	V <sub>EE</sub> (V)	V <sub>I</sub>	OTHER
		+25			-40 to +85		-40 to +125						
		min.	typ.	max.	min.	max.	min.	max.					
V <sub>IH</sub>	HIGH level input voltage	2.0	1.6		2.0		2.0		V	4.5 to 5.5			
V <sub>IL</sub>	LOW level input voltage		1.2	0.8		0.8		0.8	V	4.5 to 5.5			
±I <sub>I</sub>	input leakage current			0.1		1.0		1.0	μA	5.5	0	V <sub>CC</sub> or GND	
±I <sub>S</sub>	analog switch OFF-state current per channel			0.1		1.0		1.0	μA	10.0	0	V <sub>IH</sub> or V <sub>IL</sub>	M <sub>S</sub>   = V <sub>CC</sub> - V <sub>EE</sub> (see Fig.10)
±I <sub>S</sub>	analog switch OFF-state current all channels			0.4		4.0		4.0	μA	10.0	0	V <sub>IH</sub> or V <sub>IL</sub>	M <sub>S</sub>   = V <sub>CC</sub> - V <sub>EE</sub> (see Fig.10)
±I <sub>S</sub>	analog switch ON-state current			0.4		4.0		4.0	μA	10.0	0	V <sub>IH</sub> or V <sub>IL</sub>	M <sub>S</sub>   = V <sub>CC</sub> - V <sub>EE</sub> (see Fig.11)
I <sub>CC</sub>	quiescent supply current			8.0 16.0		80.0 160.0		160.0 320.0	μA	5.5 5.0	0 -5.0	V <sub>CC</sub> or GND	V <sub>is</sub> = V <sub>EE</sub> or V <sub>CC</sub> ; V <sub>os</sub> = V <sub>CC</sub> or V <sub>EE</sub>
ΔI <sub>CC</sub>	additional quiescent supply current per input pin for unit load coefficient is 1 (note 1)		100	360		450		490	μA	4.5 to 5.5	0	V <sub>CC</sub> -2.1 V	other inputs at V <sub>CC</sub> or GND

**Note to HCT types**

- The value of additional quiescent supply current (ΔI<sub>CC</sub>) for a unit load of 1 is given here. To determine ΔI<sub>CC</sub> per input, multiply this value by the unit load coefficient shown in the table below.

INPUT	UNIT LOAD COEFFICIENT
$\overline{E}_1, E_2$	0.50
$S_n$	0.50
$\overline{LE}$	1.5

# 8-channel analog multiplexer/demultiplexer with latch

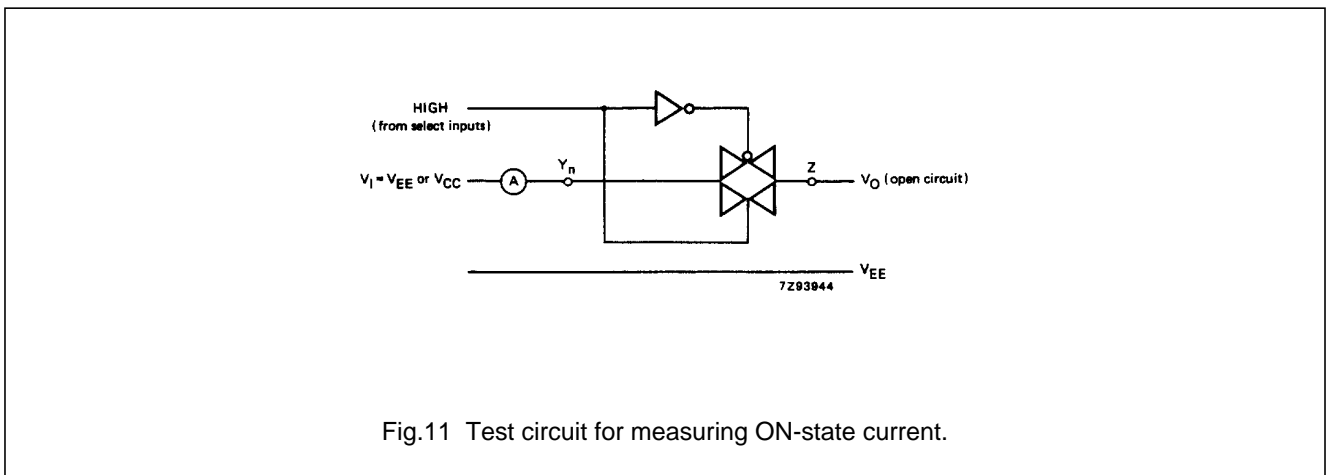
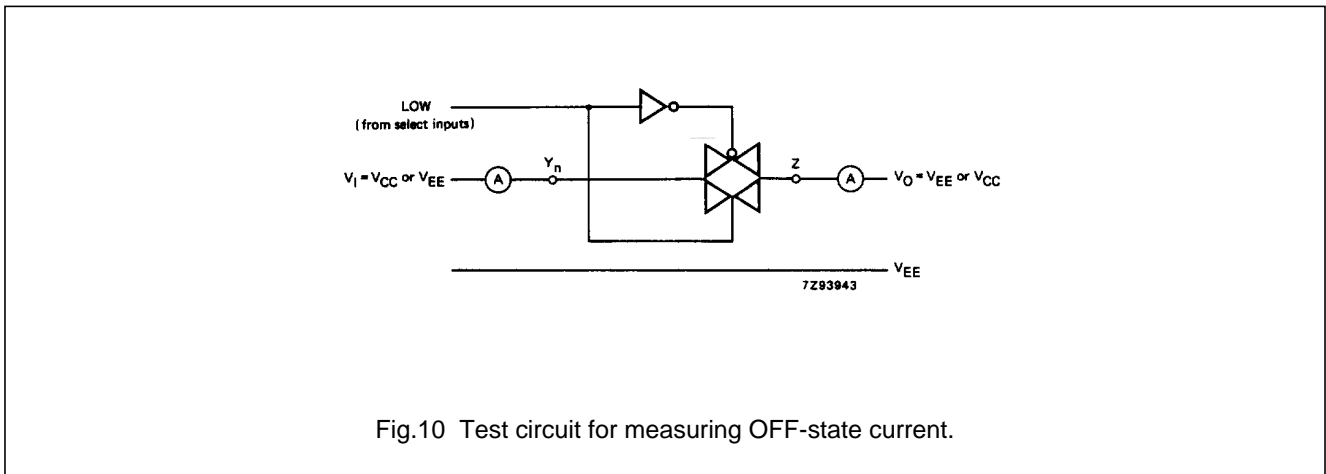
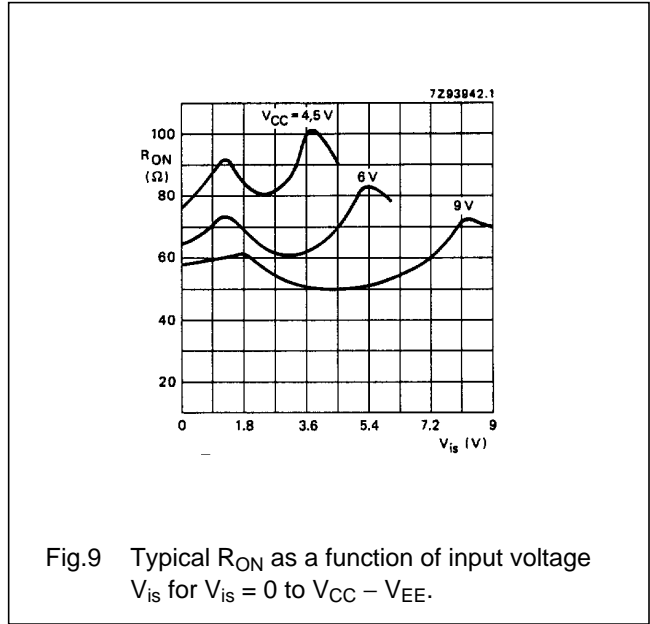
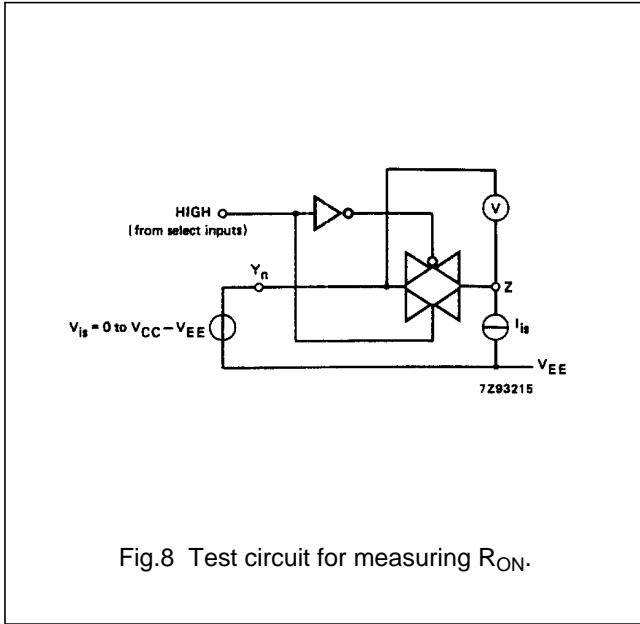
74HC/HCT4351

**AC CHARACTERISTICS FOR 74HCT**GND = 0 V;  $t_r = t_f = 6$  ns;  $C_L = 50$  pF

SYMBOL	PARAMETER	T <sub>amb</sub> (°C)						UNIT	TEST CONDITIONS			
		74HCT							V <sub>CC</sub> (V)	V <sub>EE</sub> (V)	OTHER	
		+25			-40 to +85		-40 to +125					
		min.	typ.	max.	min.	max.	min.		max.			
t <sub>PHL</sub> / t <sub>PLH</sub>	propagation delay V <sub>is</sub> to V <sub>os</sub>		6 4	12 8		15 10		18 12	ns	4.5 4.5	0 -4.5	R <sub>L</sub> = ∞; C <sub>L</sub> = 50 pF (see Fig.17)
t <sub>PZH</sub> / t <sub>PZL</sub>	turn "ON" time $\bar{E}_1$ to V <sub>os</sub>		40 31	75 60		94 75		113 90	ns	4.5 4.5	0 -4.5	R <sub>L</sub> = 1 kΩ; C <sub>L</sub> = 50 pF (see Fig.18)
t <sub>PZH</sub> / t <sub>PZL</sub>	turn "ON" time E <sub>2</sub> to V <sub>os</sub>		35 26	70 50		88 63		105 75	ns	4.5 4.5	0 -4.5	R <sub>L</sub> = 1 kΩ; C <sub>L</sub> = 50 pF (see Fig.18)
t <sub>PZH</sub> / t <sub>PZL</sub>	turn "ON" time $\bar{LE}$ to V <sub>os</sub>		42 37	75 60		94 75		113 90	ns	4.5 4.5	0 -4.5	R <sub>L</sub> = 1 kΩ; C <sub>L</sub> = 50 pF (see Fig.18)
t <sub>PZH</sub> / t <sub>PZL</sub>	turn "ON" time S <sub>n</sub> to V <sub>os</sub>		39 30	75 60		94 75		113 90	ns	4.5 4.5	0 -4.5	R <sub>L</sub> = 1 kΩ; C <sub>L</sub> = 50 pF (see Fig.18)
t <sub>PHZ</sub> / t <sub>PLZ</sub>	turn "OFF" time $\bar{E}_1$ to V <sub>os</sub>		27 20	55 40		69 50		83 60	ns	4.5 4.5	0 -4.5	R <sub>L</sub> = 1 kΩ; C <sub>L</sub> = 50 pF (see Fig.18)
t <sub>PHZ</sub> / t <sub>PLZ</sub>	turn "OFF" time E <sub>2</sub> to V <sub>os</sub>		32 26	60 50		75 63		90 75	ns	4.5 4.5	0 -4.5	R <sub>L</sub> = 1 kΩ; C <sub>L</sub> = 50 pF (see Fig.18)
t <sub>PHZ</sub> / t <sub>PLZ</sub>	turn "OFF" time $\bar{LE}$ to V <sub>os</sub>		33 30	60 55		75 69		90 83	ns	4.5 4.5	0 -4.5	R <sub>L</sub> = 1 kΩ; C <sub>L</sub> = 50 pF (see Fig.18)
t <sub>PHZ</sub> / t <sub>PLZ</sub>	turn "OFF" time S <sub>n</sub> to V <sub>os</sub>		33 29	65 55		81 69		98 83	ns	4.5 4.5	0 -4.5	R <sub>L</sub> = 1 kΩ; C <sub>L</sub> = 50 pF (see Fig.18)
t <sub>su</sub>	set-up time S <sub>n</sub> to $\bar{LE}$	12 14	6 7			15 18		18 21	ns	4.5 4.5	0 -4.5	R <sub>L</sub> = 1 kΩ; C <sub>L</sub> = 50 pF (see Fig.19)
t <sub>h</sub>	hold time S <sub>n</sub> to $\bar{LE}$	5 5	-1 -2			5 5		5 5	ns	4.5 4.5	0 -4.5	R <sub>L</sub> = 1 kΩ; C <sub>L</sub> = 50 pF (see Fig.19)
t <sub>w</sub>	$\bar{LE}$ minimum pulse width HIGH	25 25	13 13			31 31		38 38	ns	4.5 4.5	0 -4.5	R <sub>L</sub> = 1 kΩ; C <sub>L</sub> = 50 pF (see Fig.19)

# 8-channel analog multiplexer/demultiplexer with latch

74HC/HCT4351



# 8-channel analog multiplexer/demultiplexer with latch

74HC/HCT4351

## ADDITIONAL AC CHARACTERISTICS FOR 74HC/HCT

### Recommended conditions and typical values

GND = 0 V;  $T_{amb} = 25\text{ }^{\circ}\text{C}$ 

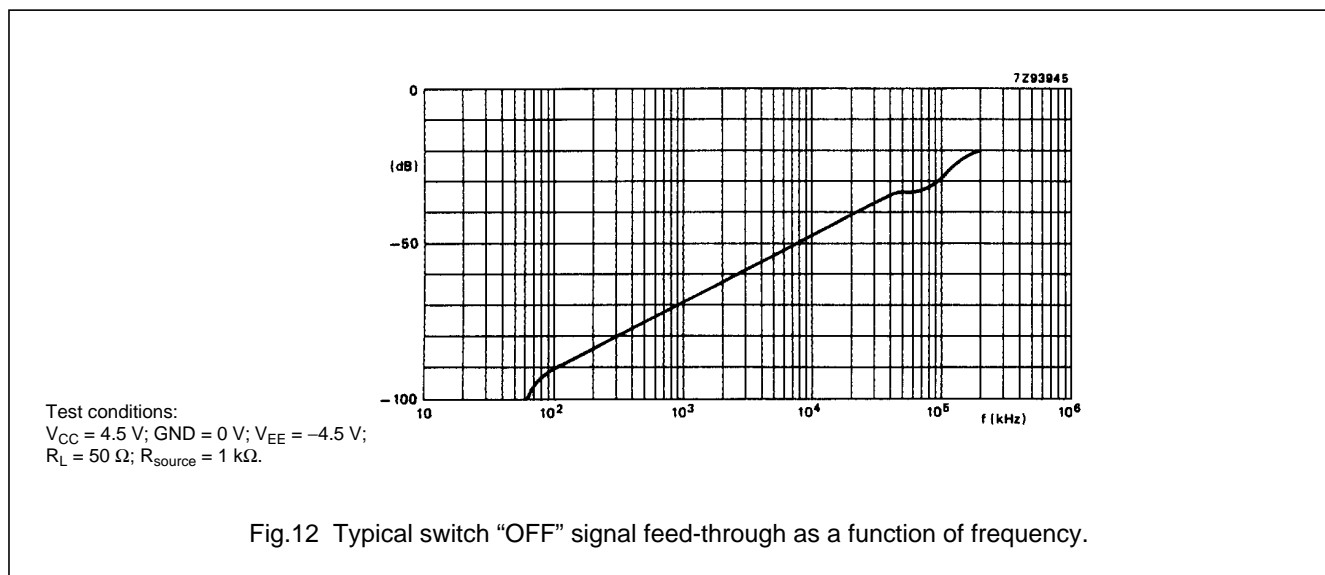
SYMBOL	PARAMETER	typ.	UNIT	$V_{CC}$ (V)	$V_{EE}$ (V)	$V_{is(p-p)}$ (V)	CONDITIONS
	sine-wave distortion $f = 1\text{ kHz}$	0.04 0.02	% %	2.25 4.5	-2.25 -4.5	4.0 8.0	$R_L = 10\text{ k}\Omega$ ; $C_L = 50\text{ pF}$ (see Fig.14)
	sine-wave distortion $f = 10\text{ kHz}$	0.12 0.06	% %	2.25 4.5	-2.25 -4.5	4.0 8.0	$R_L = 10\text{ k}\Omega$ ; $C_L = 50\text{ pF}$ (see Fig.14)
	switch "OFF" signal feed-through	-50 -50	dB dB	2.25 4.5	-2.25 -4.5	note 1	$R_L = 600\ \Omega$ ; $C_L = 50\text{ pF}$ (see Figs 12 and 15)
$V_{(p-p)}$	crosstalk voltage between control and any switch (peak-to-peak value)	120 220	mV mV	4.5 4.5	0 -4.5		$R_L = 600\ \Omega$ ; $C_L = 50\text{ pF}$ ; $f = 1\text{ MHz}$ ( $E_1$ , $E_2$ or $S_n$ , square-wave between $V_{CC}$ and GND, $t_r = t_f = 6\text{ ns}$ ) (see Fig.16)
$f_{max}$	minimum frequency response (-3dB)	160 170	MHz MHz	2.25 4.5	-2.25 -4.5	note 2	$R_L = 50\ \Omega$ ; $C_L = 10\text{ pF}$ (see Figs 13 and 14)
$C_S$	maximum switch capacitance independent (Y) common (Z)	5 25	pF pF				

### Notes to AC characteristics

1. Adjust input voltage  $V_{is}$  to 0 dBm level (0 dBm = 1 mW into 600  $\Omega$ ).
2. Adjust input voltage  $V_{is}$  to 0 dBm level at  $V_{os}$  for 1 MHz (0 dBm = 1 mW into 50  $\Omega$ ).

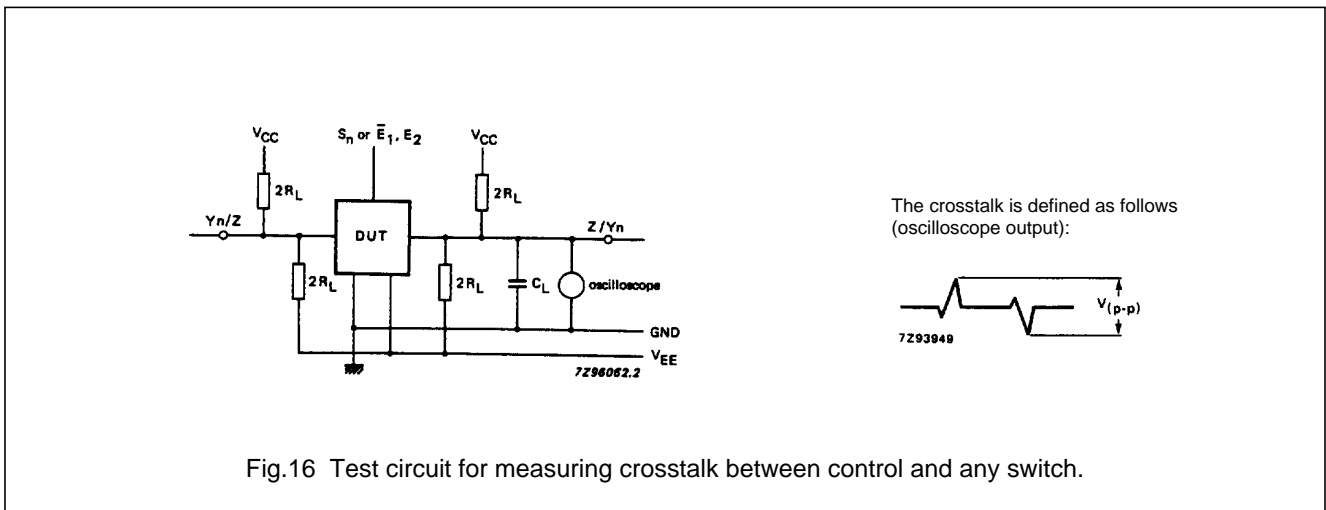
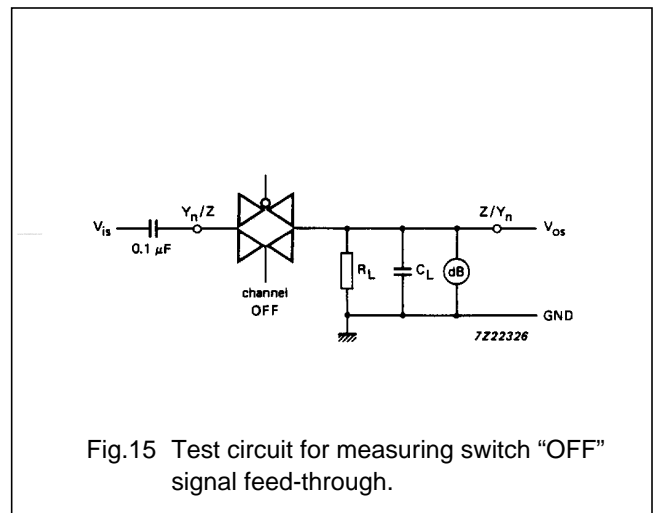
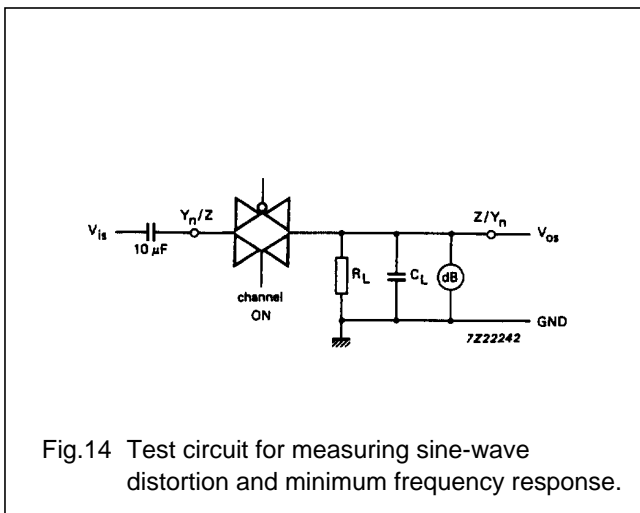
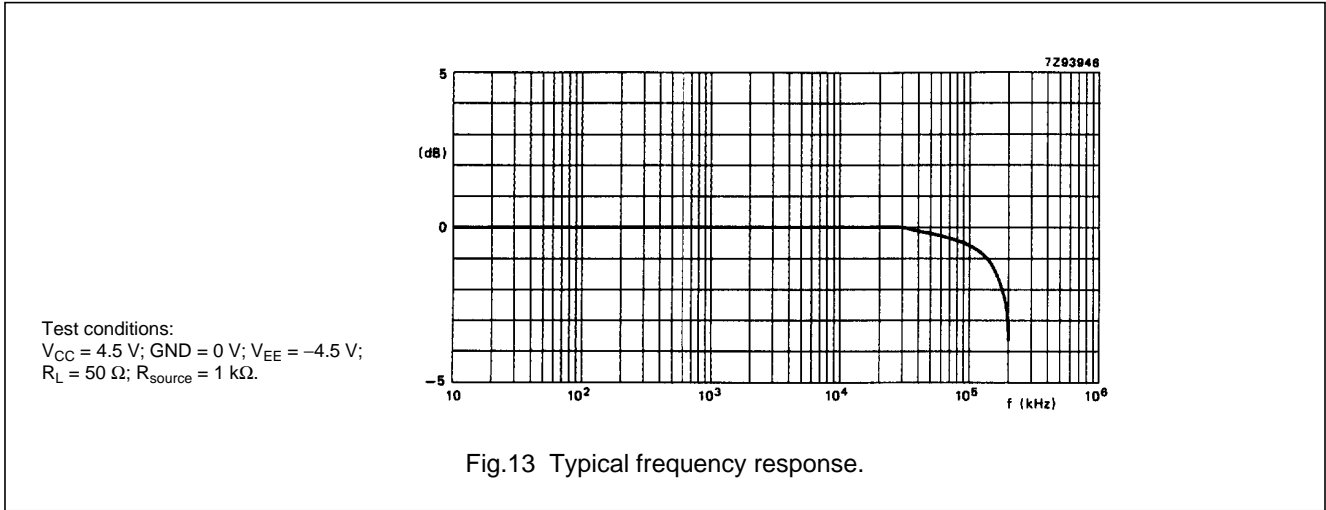
$V_{is}$  is the input voltage at a  $Y_n$  or Z terminal, whichever is assigned as an input.

$V_{os}$  is the output voltage at a  $Y_n$  or Z terminal, whichever is assigned as an output.



# 8-channel analog multiplexer/demultiplexer with latch

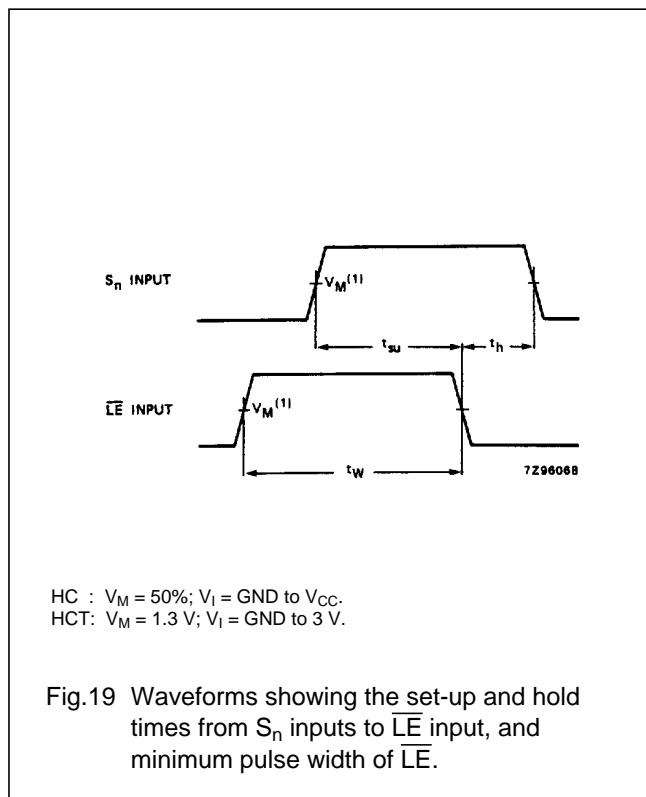
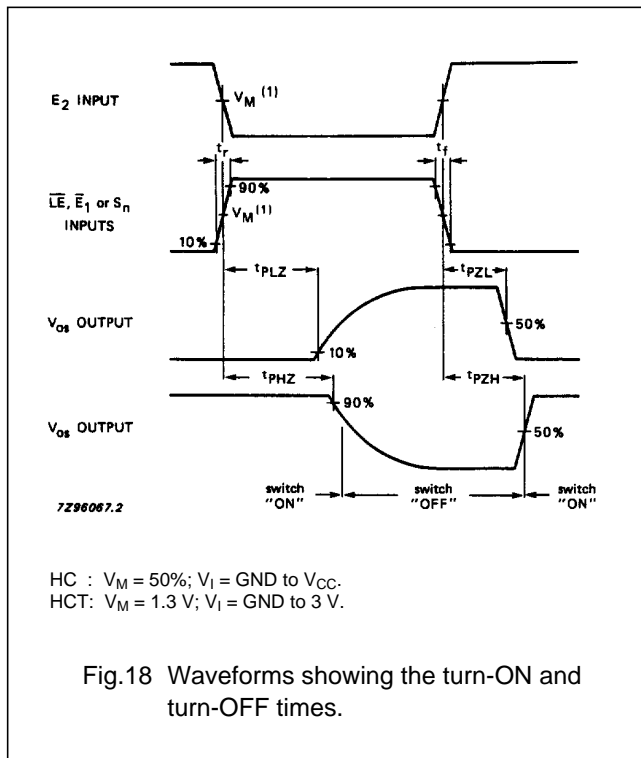
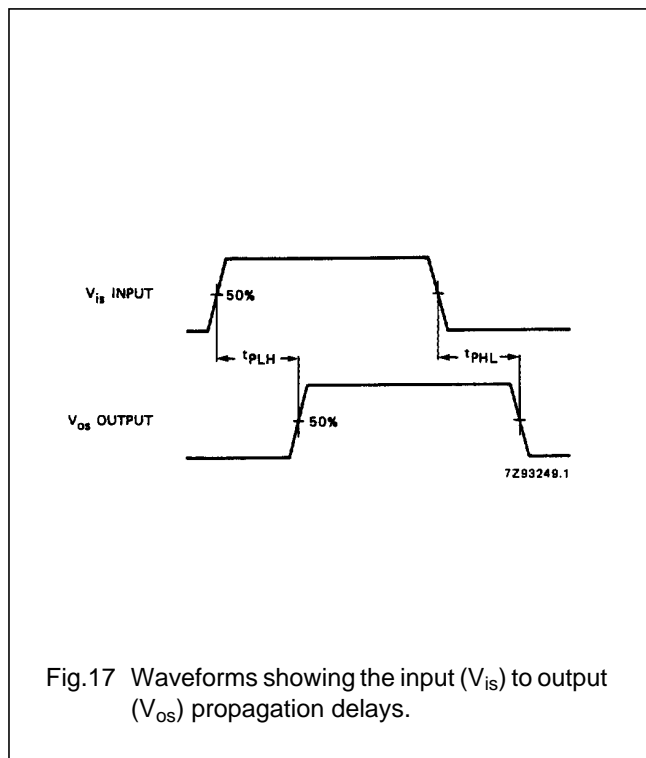
74HC/HCT4351



# 8-channel analog multiplexer/demultiplexer with latch

74HC/HCT4351

## AC WAVEFORMS



# 8-channel analog multiplexer/demultiplexer with latch

74HC/HCT4351

## TEST CIRCUIT AND WAVEFORMS

**Conditions**

TEST	SWITCH	V <sub>is</sub>
t <sub>PZH</sub>	V <sub>EE</sub>	V <sub>CC</sub>
t <sub>PZL</sub>	V <sub>CC</sub>	V <sub>EE</sub>
t <sub>PHZ</sub>	V <sub>EE</sub>	V <sub>CC</sub>
t <sub>PLZ</sub>	V <sub>CC</sub>	V <sub>EE</sub>
others	open	pulse

7293951

FAMILY	AMPLITUDE	V <sub>M</sub>	t <sub>r</sub> ; t <sub>f</sub>	
			f <sub>max</sub> ; PULSE WIDTH	OTHER
74HC	V <sub>CC</sub>	50%	< 2 ns	6 ns
74HCT	3.0 V	1.3 V	< 2 ns	6 ns

C<sub>L</sub> = load capacitance including jig and probe capacitance (see AC CHARACTERISTICS for values).  
 R<sub>T</sub> = termination resistance should be equal to the output impedance Z<sub>O</sub> of the pulse generator.  
 t<sub>r</sub> = t<sub>f</sub> = 6 ns; when measuring f<sub>max</sub>, there is no constraint on t<sub>r</sub>, t<sub>f</sub> with 50% duty factor.

Fig.20 Test circuit for measuring AC performance.

**Conditions**

TEST	SWITCH	V <sub>is</sub>
t <sub>PZH</sub>	V <sub>EE</sub>	V <sub>CC</sub>
t <sub>PZL</sub>	V <sub>CC</sub>	V <sub>EE</sub>
t <sub>PHZ</sub>	V <sub>EE</sub>	V <sub>CC</sub>
t <sub>PLZ</sub>	V <sub>CC</sub>	V <sub>EE</sub>
others	open	pulse

7287478.3

FAMILY	AMPLITUDE	V <sub>M</sub>	t <sub>r</sub> ; t <sub>f</sub>	
			f <sub>max</sub> ; PULSE WIDTH	OTHER
74HC	V <sub>CC</sub>	50%	< 2 ns	6 ns
74HCT	3.0 V	1.3 V	< 2 ns	6 ns

C<sub>L</sub> = load capacitance including jig and probe capacitance (see AC CHARACTERISTICS for values).  
 R<sub>T</sub> = termination resistance should be equal to the output impedance Z<sub>O</sub> of the pulse generator.  
 t<sub>r</sub> = t<sub>f</sub> = 6 ns; when measuring f<sub>max</sub>, there is no constraint on t<sub>r</sub>, t<sub>f</sub> with 50% duty factor.

Fig.21 Input pulse definitions.



---

8-channel analog multiplexer/demultiplexer  
with latch

---

74HC/HCT4351

**PACKAGE OUTLINES**

See *"74HC/HCT/HCU/HCMOS Logic Package Outlines"*.