

DATA SHEET

For a complete data sheet, please also download:

- The IC06 74HC/HCT/HCU/HCMOS Logic Family Specifications
- The IC06 74HC/HCT/HCU/HCMOS Logic Package Information
- The IC06 74HC/HCT/HCU/HCMOS Logic Package Outlines

74HC/HCT4510 **BCD up/down counter**

Product specification
File under Integrated Circuits, IC06

December 1990

BCD up/down counter

74HC/HCT4510

FEATURES

- Output capability: standard
- I_{CC} category: MSI

GENERAL DESCRIPTION

The 74HC/HCT4510 are high-speed Si-gate CMOS devices and are pin compatible with the “4510” of the “4000B” series. They are specified in compliance with JEDEC standard no. 7A.

The 74HC/HCT4510 are edge-triggered synchronous up/down BCD counters with a clock input (CP), an up/down count control input (UP/DN), an active LOW count enable input (\overline{CE}), an asynchronous active HIGH

parallel load input (PL), four parallel inputs (D₀ to D₃), four parallel outputs (Q₀ to Q₃), an active LOW terminal count output (\overline{TC}), and an overriding asynchronous master reset input (MR).

Information on D₀ to D₃ is loaded into the counter while PL is HIGH, independent of all other input conditions except the MR input, which must be LOW. With PL LOW, the counter changes on the LOW-to-HIGH transition of CP if \overline{CE} is LOW. UP/DN determines the direction of the count, HIGH for counting up, LOW for counting down. When counting up, \overline{TC} is LOW when Q₀ and Q₃ are HIGH and \overline{CE} is LOW. When counting down, \overline{TC} is LOW when Q₀ to Q₃ and \overline{CE} are LOW. A HIGH on MR resets the counter (Q₀ to Q₃ = LOW) independent of all other input conditions.

Logic equation for terminal count: $\overline{TC} = \overline{CE} \cdot \{(\overline{UP/DN}) \cdot Q_0 \cdot Q_3 + (\overline{UP/DN}) \cdot \overline{Q_0} \cdot \overline{Q_1} \cdot \overline{Q_2} \cdot \overline{Q_3}\}$

QUICK REFERENCE DATA

GND = 0 V; T_{amb} = 25 °C; t_r = t_f = 6 ns

SYMBOL	PARAMETER	CONDITIONS	TYPICAL		UNIT
			HC	HCT	
t _{PHL} / t _{PLH}	propagation delay CP to Q _n	C _L = 15 pF; V _{CC} = 5 V	21	23	ns
f _{max}	maximum clock frequency		57	58	MHz
C _I	input capacitance		3.5	3.5	pF
C _{PD}	power dissipation capacitance per package	notes 1 and 2	50	53	pF

Notes

1. C_{PD} is used to determine the dynamic power dissipation (P_D in μW):

$$P_D = C_{PD} \times V_{CC}^2 \times f_i + \sum (C_L \times V_{CC}^2 \times f_o) \text{ where:}$$

f_i = input frequency in MHz

f_o = output frequency in MHz

∑ (C_L × V_{CC}² × f_o) = sum of outputs

C_L = output load capacitance in pF

V_{CC} = supply voltage in V

2. For HC the condition is V_I = GND to V_{CC}. For HCT the condition is V_I = GND to V_{CC} – 1.5 V

ORDERING INFORMATION

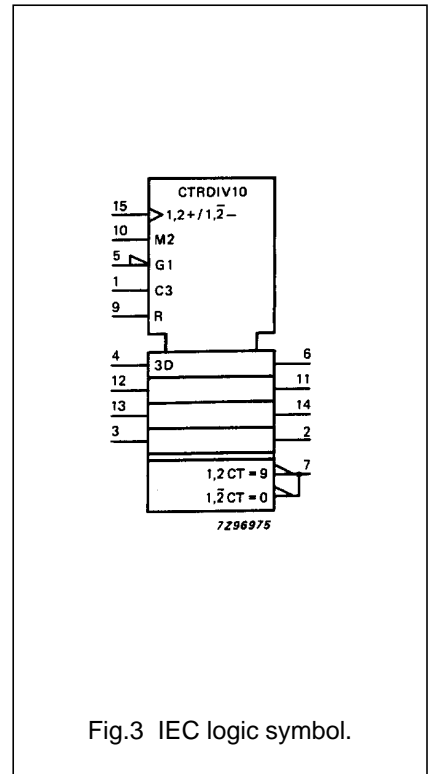
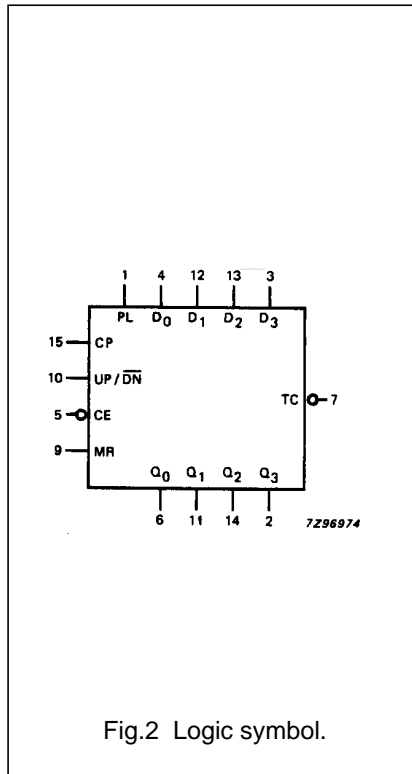
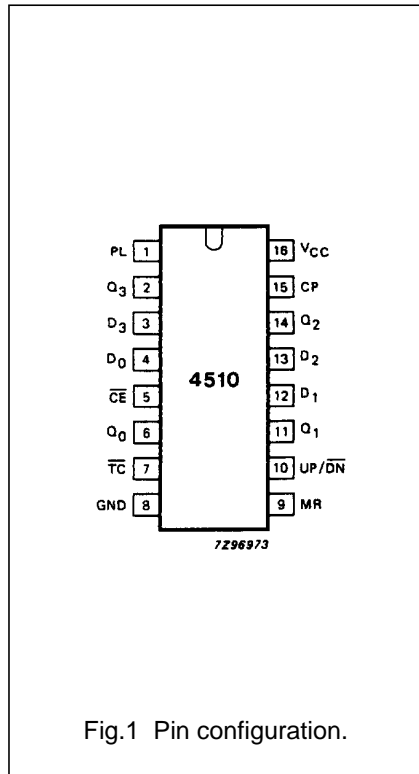
See “74HC/HCT/HCU/HCMOS Logic Package Information”.

BCD up/down counter

74HC/HCT4510

PIN DESCRIPTION

PIN NO.	SYMBOL	NAME AND FUNCTION
1	PL	parallel load input (active HIGH)
4, 12, 13, 3	D ₀ to D ₃	parallel inputs
5	\overline{CE}	count enable input (active LOW)
6, 11, 14, 2	Q ₀ to Q ₃	parallel outputs
7	\overline{TC}	terminal count output (active LOW)
8	GND	ground (0 V)
9	MR	asynchronous master reset input (active HIGH)
10	UP/ \overline{DN}	up/down control input
15	CP	clock input (LOW-to-HIGH, edge-triggered)
16	V _{CC}	positive supply voltage



BCD up/down counter

74HC/HCT4510

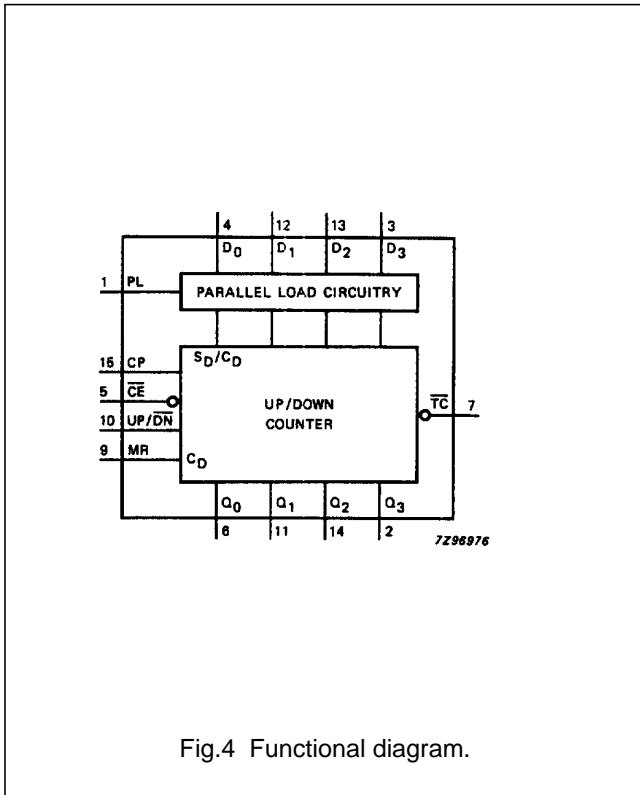


Fig.4 Functional diagram.

FUNCTION TABLE

MR	PL	UP/DN	CE	CP	MODE
L	H	X	X	X	parallel load
L	L	X	H	X	no change
L	L	L	L	↑	count down
L	L	H	L	↑	count up
H	X	X	X	X	reset

Notes

- H = HIGH voltage level
L = LOW voltage level
X = don't care
↑ = LOW-to-HIGH clock transition

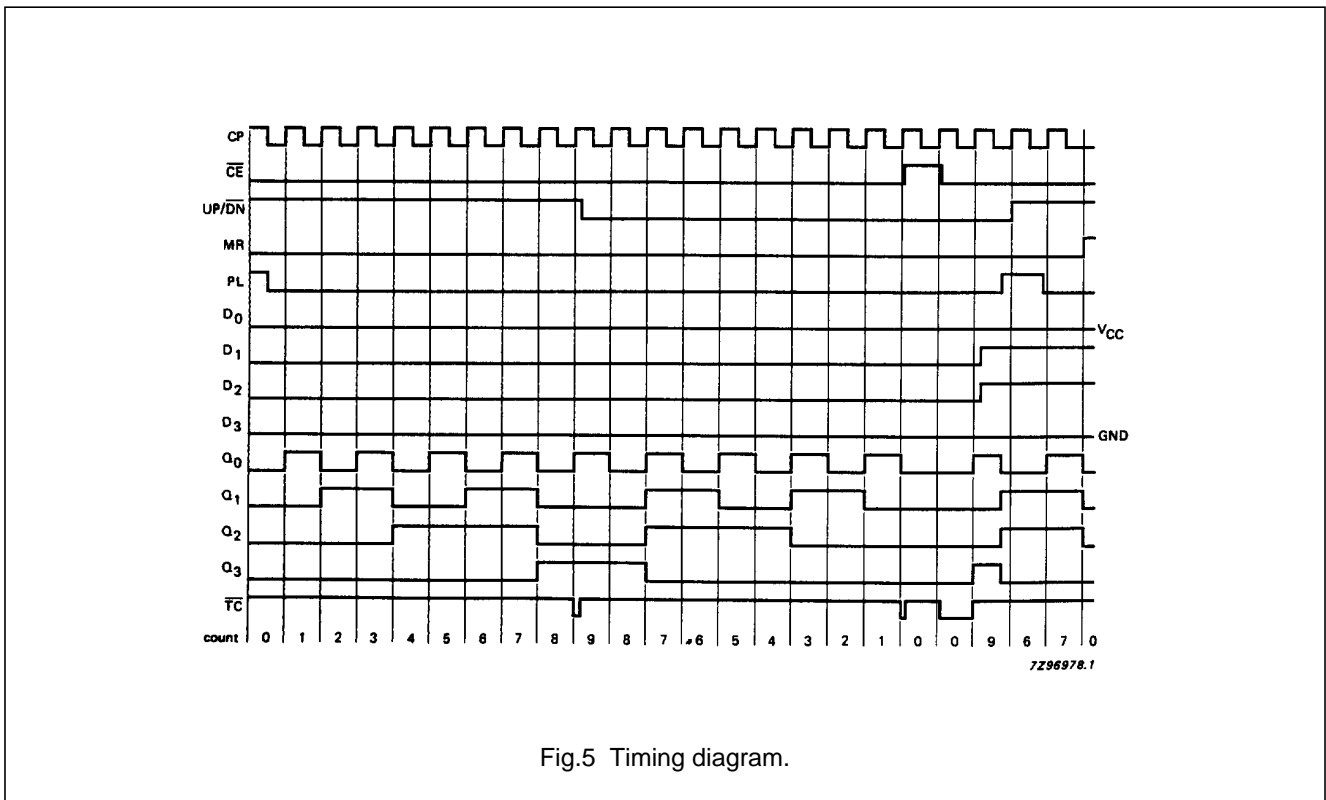


Fig.5 Timing diagram.

BCD up/down counter

74HC/HCT4510

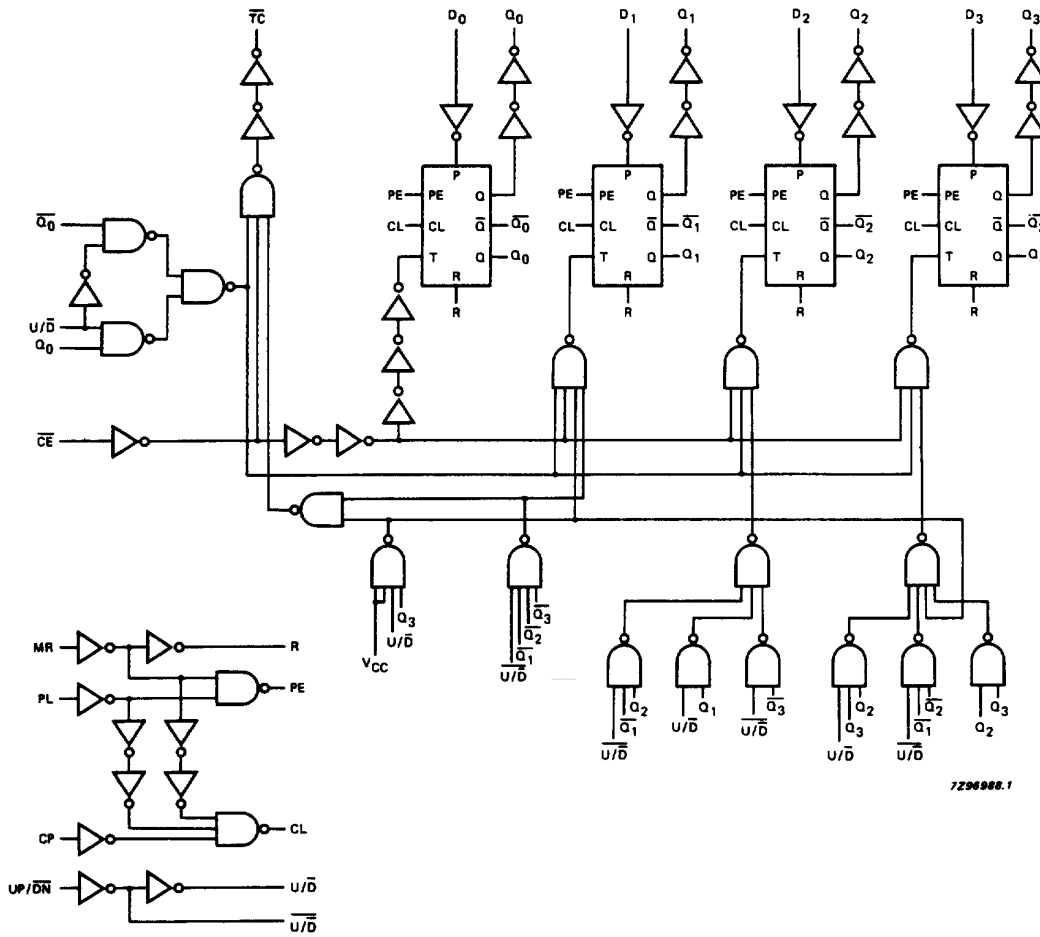


Fig.6 Logic diagram.

BCD up/down counter

74HC/HCT4510

DC CHARACTERISTICS FOR 74HC

For the DC characteristics see *"74HC/HCT/HCU/HCMOS Logic Family Specifications"*.

Output capability: standard

I_{CC} category: MSI

AC CHARACTERISTICS FOR 74HC

GND = 0 V; t_r = t_f = 6 ns; C_L = 50 pF

SYMBOL	PARAMETER	T _{amb} (°C)						UNIT	TEST CONDITIONS		
		74HC							V _{CC} (V)	WAVEFORMS	
		+25			-40 to +85		-40 to +125				
		min.	typ.	max.	min.	max.	min.				max.
t _{PHL} / t _{PLH}	propagation delay CP to Q _n		69 25 20	220 44 37		275 55 47		330 66 56	ns	2.0 4.5 6.0	Fig.7
t _{PHL}	propagation delay MR to Q _n		63 23 18	210 42 36		265 53 45		315 63 54	ns	2.0 4.5 6.0	Fig.10
t _{PLH} / t _{PHL}	propagation delay PL to Q _n		77 28 22	250 50 43		315 63 54		375 75 64	ns	2.0 4.5 6.0	Fig.9
t _{PHL} / t _{PLH}	propagation delay CP to \overline{TC}		74 27 22	260 52 44		325 65 55		395 78 66	ns	2.0 4.5 6.0	Fig.7
t _{PHL} / t _{PLH}	propagation delay \overline{CE} to \overline{TC}		36 13 10	125 25 21		155 31 26		190 38 32	ns	2.0 4.5 6.0	Fig.8
t _{PLH}	propagation delay MR to \overline{TC}		69 25 20	235 47 40		295 59 50		355 71 60	ns	2.0 4.5 6.0	Fig.10
t _{PHL} / t _{PLH}	propagation delay PL to \overline{TC}		91 33 26	300 60 51		375 75 64		450 90 77	ns	2.0 4.5 6.0	Fig.9
t _{THL} / t _{TLH}	output transition time		19 7 6	75 15 13		95 19 16		110 22 19	ns	2.0 4.5 6.0	Fig.9
t _w	pulse width CP, \overline{CE} HIGH or LOW	80 16 14	25 9 7		100 20 17		120 24 20		ns	2.0 4.5 6.0	Fig.7
t _w	parallel load pulse width HIGH	80 16 14	22 8 7		100 20 17		120 24 20		ns	2.0 4.5 6.0	Fig.10
t _w	master reset pulse width HIGH	100 20 17	19 7 6		125 25 21		150 30 26		ns	2.0 4.5 6.0	Fig.10

BCD up/down counter

74HC/HCT4510

SYMBOL	PARAMETER	T _{amb} (°C)							UNIT	TEST CONDITIONS	
		74HC								V _{CC} (V)	WAVEFORMS
		+25			-40 to +85		-40 to +125				
		min.	typ.	max.	min.	max.	min.	max.			
t _{rem}	removal time MR to CP	80 16 14	28 10 8		100 20 17		120 24 20	ns	2.0 4.5 6.0	Fig.10	
t _{rem}	removal time PL to CP	80 16 14	14 5 4		100 20 17		120 24 20	ns	2.0 4.5 6.0	Fig.10	
t _{su}	set-up time UP/DN to CP	100 20 17	30 11 9		125 25 21		150 30 26	ns	2.0 4.5 6.0	Fig.8	
t _{su}	set-up time $\overline{\text{CE}}$ to CP	100 20 17	19 7 6		125 25 21		150 30 26	ns	2.0 4.5 6.0	Fig.8	
t _{su}	set-up time D _n to PL	100 20 17	17 6 5		125 25 21		150 30 26	ns	2.0 4.5 6.0	Fig.11	
t _h	hold time $\overline{\text{CE}}$ to CP	5 5 5	0 0 0		5 5 5		5 5 5	ns	2.0 4.5 6.0	Fig.8	
t _h	hold time D _n to PL	3 3 3	-6 -2 -2		3 3 3		3 3 3	ns	2.0 4.5 6.0	Fig.11	
t _h	hold time UP/DN to CP	0 0 0	-19 -7 -6		0 0 0		0 0 0	ns	2.0 4.5 6.0	Fig.8	
f _{max}	maximum clock pulse frequency	6.0 30 35	17 52 62		4.8 24 28		4.0 20 24	MHz	2.0 4.5 6.0	Fig.7	

BCD up/down counter

74HC/HCT4510

DC CHARACTERISTICS FOR 74HCT

For the DC characteristics see *"74HC/HCT/HCU/HCMOS Logic Family Specifications"*.

Output capability: standard

I_{CC} category: MSI

Note to HCT types

The value of additional quiescent supply current (ΔI_{CC}) for a unit load of 1 is given in the family specifications.

To determine ΔI_{CC} per input, multiply this value by the unit load coefficient shown in the table below

INPUT	UNIT LOAD COEFFICIENT
D_n	0.75
PL, \overline{CE}	1.00
UP/DN	1.00
CP	1.25
MR	1.50

AC CHARACTERISTICS FOR 74HCT

GND = 0 V; $t_r = t_f = 6$ ns; $C_L = 50$ pF

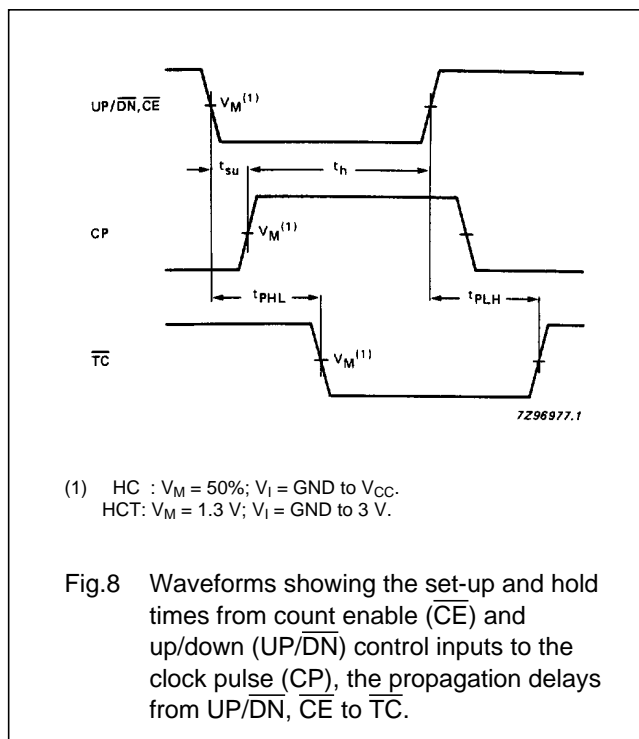
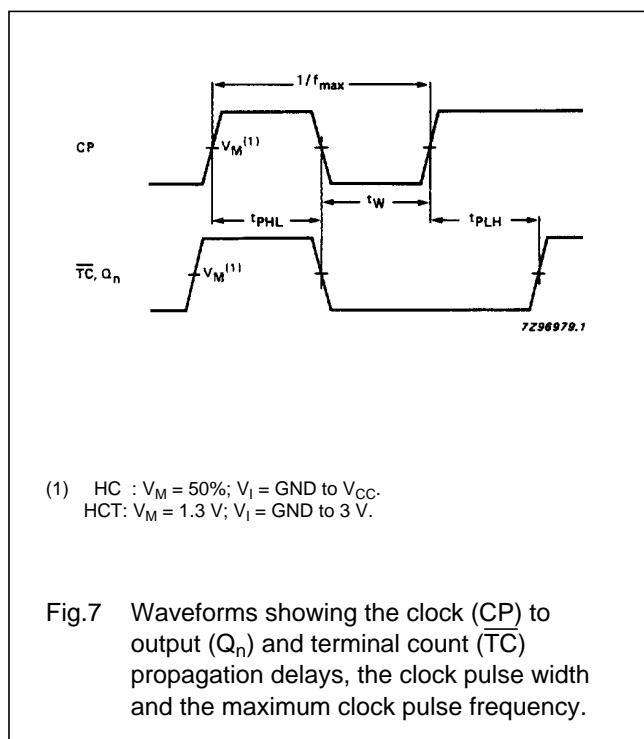
SYMBOL	PARAMETER	T_{amb} (°C)								UNIT	TEST CONDITIONS	
		74HCT									V_{CC} (V)	WAVEFORMS
		+25			-40 to +85		-40 to +125					
		min.	typ.	max.	min.	max.	min.	max.				
t_{PHL}/t_{PLH}	propagation delay CP to Q_n		27	50		63		75	ns	4.5	Fig.7	
t_{PHL}	propagation delay MR to Q_n		25	42		53		63	ns	4.5	Fig.10	
t_{PLH}/t_{PHL}	propagation delay PL to Q_n		28	53		66		80	ns	4.5	Fig.9	
t_{PHL}/t_{PLH}	propagation delay CP to \overline{TC}		29	58		73		87	ns	4.5	Fig.7	
t_{PHL}/t_{PLH}	propagation delay \overline{CE} to \overline{TC}		17	31		39		47	ns	4.5	Fig.8	
t_{PLH}	propagation delay MR to \overline{TC}		31	50		63		75	ns	4.5	Fig.10	
t_{PHL}/t_{PLH}	propagation delay PL to \overline{TC}		35	68		85		102	ns	4.5	Fig.10	
t_{THL}/t_{TLH}	output transition time		7	15		19		22	ns	4.5	Fig.9	
t_w	pulse width CP, \overline{CE} HIGH or LOW	16	9		20		24		ns	4.5	Fig.7	
t_w	parallel load pulse width HIGH	16	6		20		24		ns	4.5	Fig.10	
t_w	master reset pulse width HIGH	20	4		25		30		ns	4.5	Fig.10	

BCD up/down counter

74HC/HCT4510

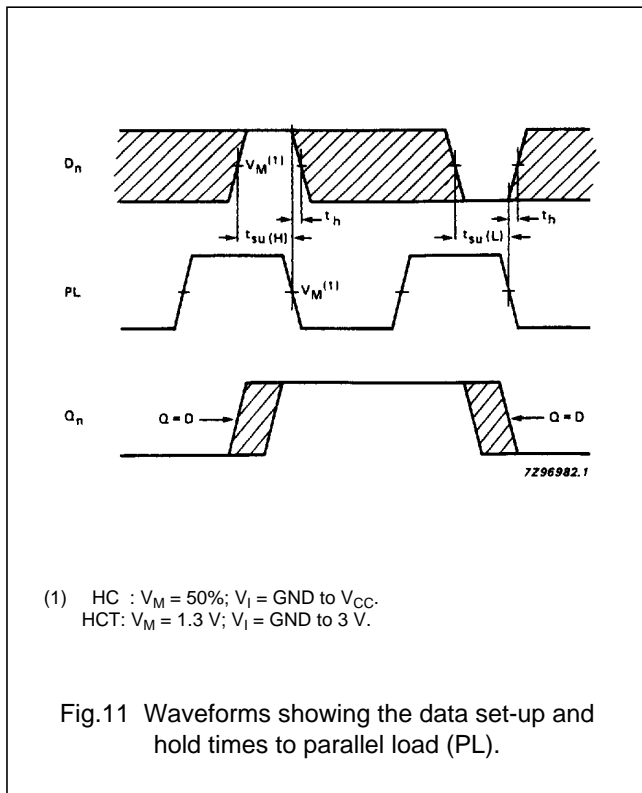
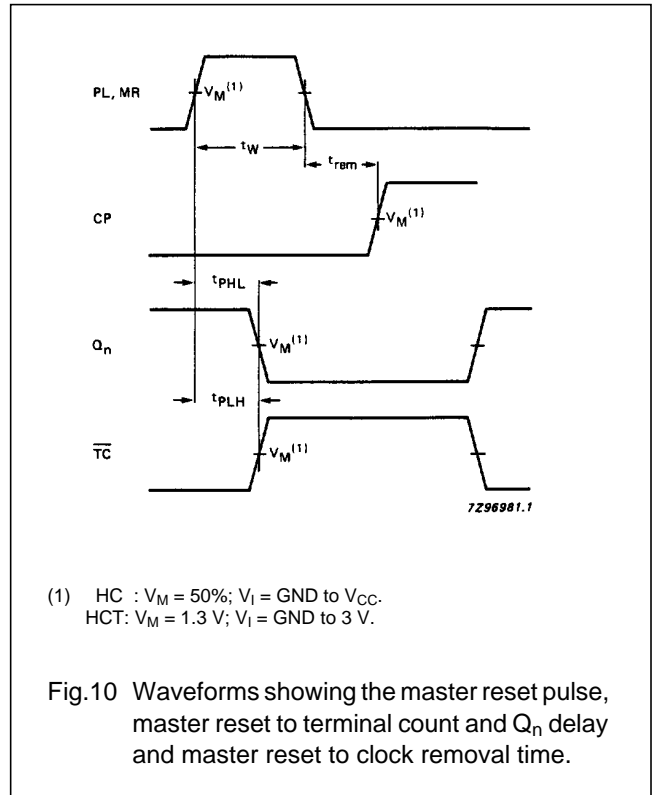
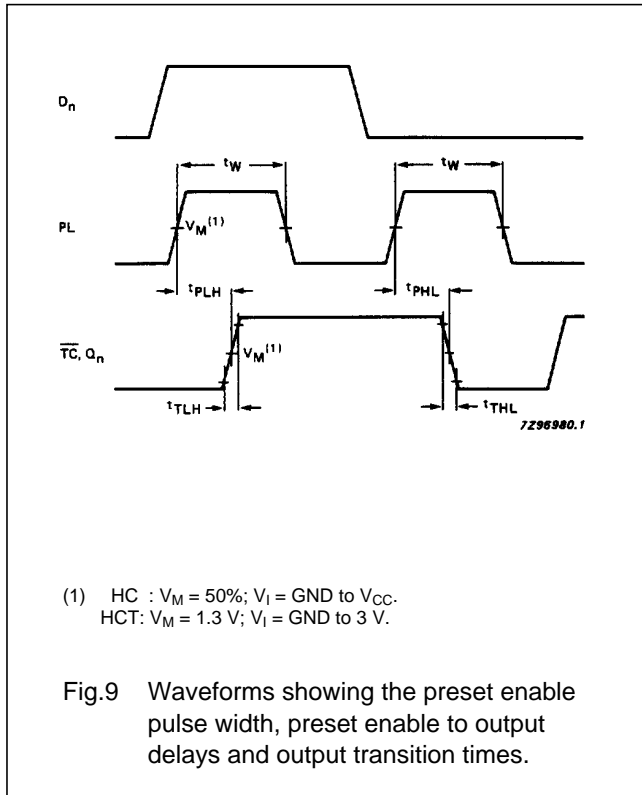
SYMBOL	PARAMETER	T _{amb} (°C)							UNIT	TEST CONDITIONS	
		74HCT								V _{CC} (V)	WAVEFORMS
		+25			-40 to +85		-40 to +125				
		min.	typ.	max.	min.	max.	min.	max.			
t _{rem}	removal time MR to CP	23	13		29		35		ns	4.5	Fig.10
t _{rem}	removal time PL to CP	17	10		21		26		ns	4.5	Fig.10
t _{su}	set-up time UP/DN to CP	20	12		25		30		ns	4.5	Fig.8
t _{su}	set-up time \overline{CE} to CP	20	6		25		30		ns	4.5	Fig.8
t _{su}	set-up time D _n to PL	20	6		25		30		ns	4.5	Fig.11
t _h	hold time \overline{CE} to CP	5	0		5		5		ns	4.5	Fig.8
t _h	hold time D _n to PL	5	0		5		5		ns	4.5	Fig.11
t _h	hold time UP/DN to CP	0	-5		0		0		ns	4.5	Fig.8
f _{max}	maximum clock pulse frequency	30	53		24		20		MHz	4.5	Fig.7

AC WAVEFORMS



BCD up/down counter

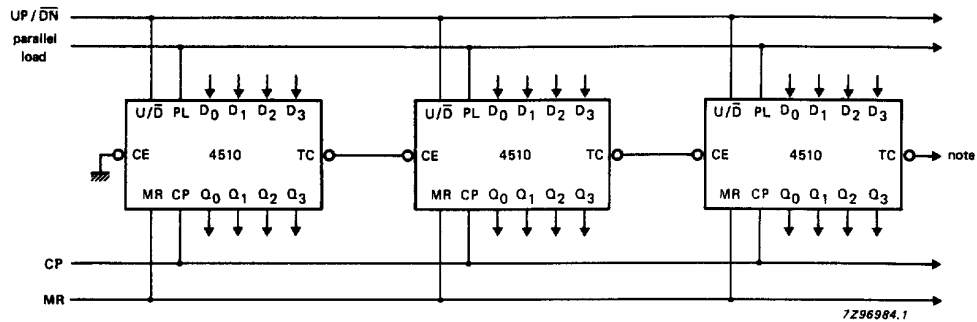
74HC/HCT4510



BCD up/down counter

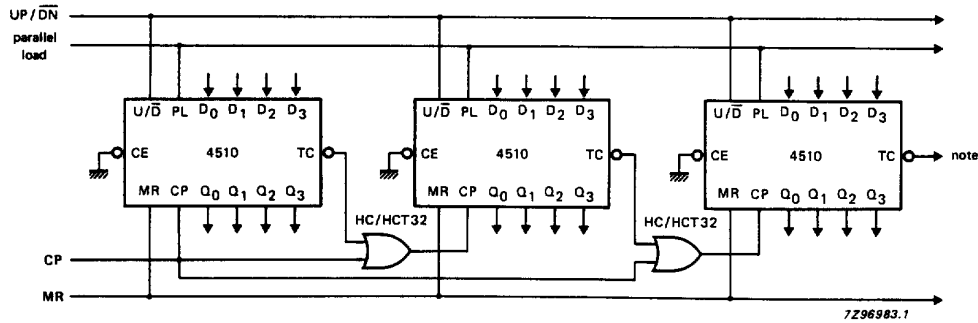
74HC/HCT4510

APPLICATION INFORMATION



Terminal count (\overline{TC}) lines at the 2nd, 3rd, etc. stages may have a negative-going glitch pulse resulting from differential delays of different 4510s. These negative-going glitches do not affect proper 4510 operation. However, if the terminal count signals are used to trigger other edge sensitive logic devices, such as flip-flops or counters, the terminal count signals should be gated with the clock signal using a 2-input OR gate such as HC/HCT32.

Fig.12 Cascading counter packages (parallel clocking).

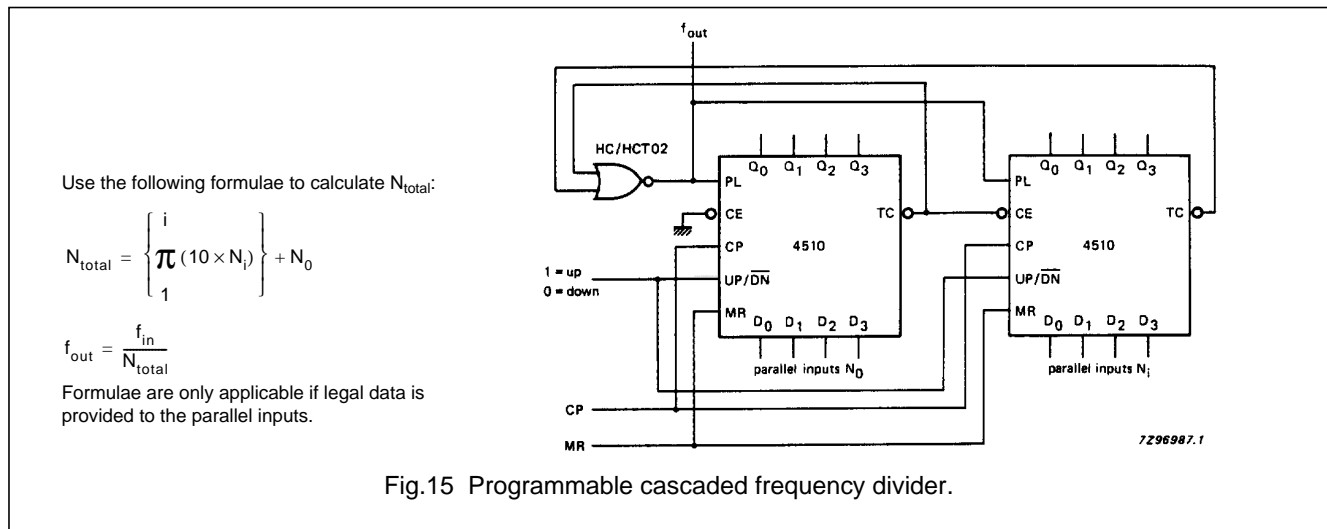
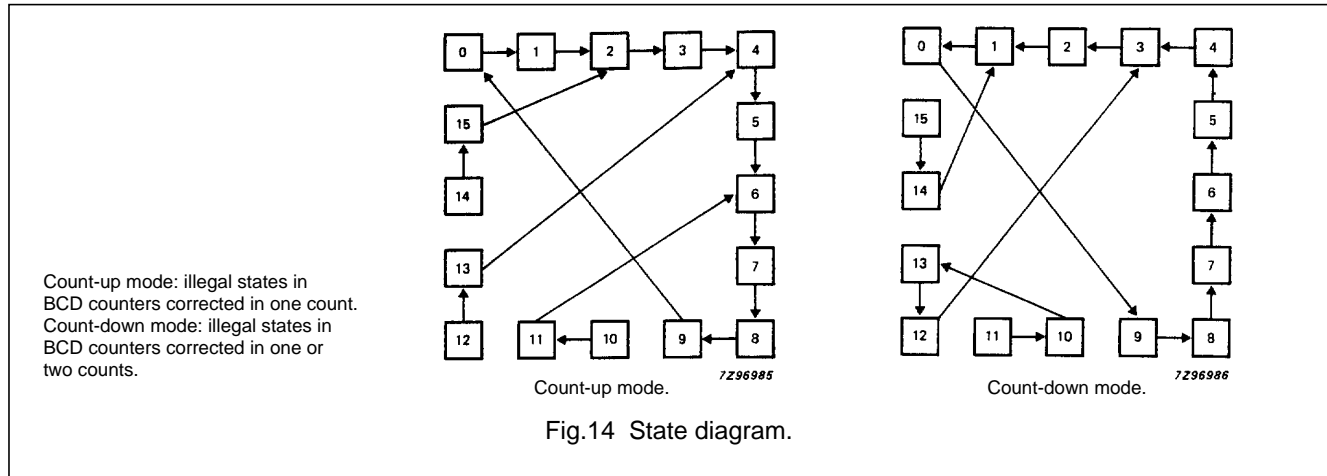


Ripple clocking mode: the $\overline{UP/DN}$ control can be changed at any count. The only restriction on changing the $\overline{UP/DN}$ control is that the clock input to the first counting stage must be "HIGH". For cascading counters operating in a fixed up-count or down-count mode, the OR gates are not required between stages and \overline{TC} is connected directly to the CP input of the next stage with \overline{CE} grounded.

Fig.13 Cascading counter packages (ripple clocking).

BCD up/down counter

74HC/HCT4510



PACKAGE OUTLINES

See "74HC/HCT/HCU/HCMOS Logic Package Outlines".

parallel inputs				count-up n	count-down n
D ₃	D ₂	D ₁	D ₀		
0	0	0	0	9	(1)
0	0	0	1	8	1
0	0	1	0	7	2
0	0	1	1	6	3
0	1	0	0	5	4
0	1	0	1	4	5
0	1	1	0	3	6
0	1	1	1	2	7
1	0	0	0	1	8
1	0	0	1	(1)	9

Note

1. no count; f_{out} is HIGH.