

T-67-21-55

**KS54HCTLS
KS74HCTLS 239**

Dual 1-of-4 Decoders/Demultiplexers

FEATURES

- Designed specifically for high-speed memory decoders and data transmission systems
- Incorporates 2 enable inputs to simplify cascading and/or data reception
- Function, pin-out, speed and drive compatibility with 54174LS logic family
- Low power consumption characteristic of CMOS
- High-Drive-Current outputs:
 $I_{OL} = 8 \text{ mA} @ V_{OL} = 0.5V$
- Inputs and outputs interface directly with TTL, NMOS and CMOS devices
- Wide operating voltage range: 4.5V to 5.5V
- Characterized for operation over Industrial and military temperature ranges:
KS74HCTLS: -40°C to $+85^{\circ}\text{C}$
KS54HCTLS: -55°C to $+125^{\circ}\text{C}$
- Package options include plastic "small outline" packages, standard plastic and ceramic 300-mil DIPs

DESCRIPTION

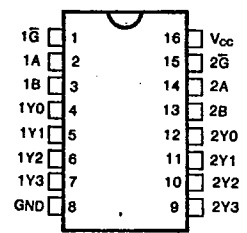
These devices are designed to be used in high-performance memory-decoding or data-routing applications requiring very short propagation delay times. In high-performance memory systems, these decoders can be used to minimize the effects of system decoding. When used with high-speed memories utilizing a fast-enable circuit, the delay times of these decoders and the enable time of the memory are usually less than the typical access time of the memory.

This means that the effective system delay introduced by the decoder is negligible.

These devices provide speeds and drive capability equivalent to their LSTTL counterparts and yet maintain CMOS power levels. The input and output voltage levels allow direct interface with TTL, NMOS and CMOS devices without any external components.

All inputs and outputs are protected from damage due to static discharge by internal diode clamps to V_{CC} and ground.

PIN CONFIGURATION



FUNCTION TABLE

Inputs			Outputs			
Enable G	Select		Y0	Y1	Y2	Y3
	B	A				
H	X	X	L	L	L	L
L	L	L	H	L	L	L
L	L	H	L	H	L	L
L	H	L	L	L	H	L
L	H	H	L	L	L	H

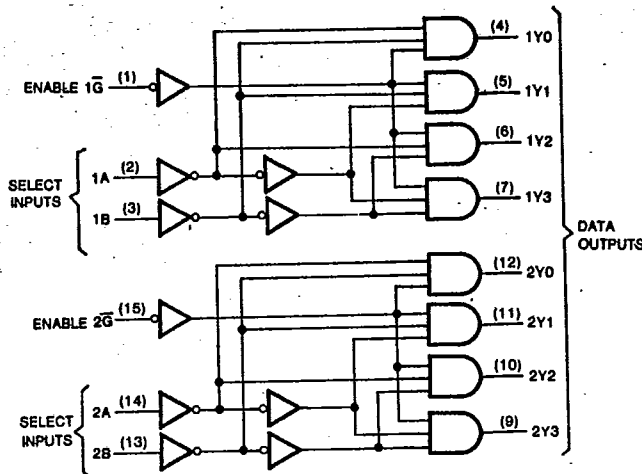
www.DataSheet4U.com

KS54HCTLS 239
KS74HCTLS

Dual 1-of-4 Decoders/Demultiplexers

T-67-21-55

LOGIC DIAGRAM



Absolute Maximum Ratings*

- Supply Voltage Range V_{CC} $-0.5V$ to $+7V$
- DC Input Diode Current, I_{IK}
 $(V_I < -0.5V$ or $V_I > V_{CC} + 0.5V)$ ± 20 mA
- DC Output Diode Current, I_{OK}
 $(V_O < -0.5V$ or $V_O > V_{CC} + 0.5V)$ ± 20 mA
- Continuous Output Current Per Pin, I_O
 $(-0.5V < V_O < V_{CC} + 0.5V)$ ± 70 mA
- Continuous Current Through
 V_{CC} or GND pins ± 250 mA
- Storage Temperature Range, T_{stg} $-65^\circ C$ to $+150^\circ C$
- Power Dissipation Per Package, P_d † 500 mW

* Absolute Maximum Ratings are those values beyond which permanent damage to the device may occur. These are stress ratings only and functional operation of the device at or beyond them is not implied. Long exposure to these conditions may affect device reliability.

- † Power Dissipation temperature derating:
 Plastic Package (N): $-12mW/^\circ C$ from $65^\circ C$ to $85^\circ C$
 Ceramic Package (J): $-12mW/^\circ C$ from $100^\circ C$ to $125^\circ C$

Recommended Operating Conditions

- Supply Voltage, V_{CC} 4.5V to 5.5V
- DC Input & Output Voltages*, V_{IN} , V_{OUT} . . . 0V to V_{CC}
- Operating Temperature
 Range KS74HCTLS: $-40^\circ C$ to $+85^\circ C$
 KS54HCTLS: $-55^\circ C$ to $+125^\circ C$
- Input Rise & Fall Times, t_r , t_f Max 500 ns

* Unused inputs must always be tied to an appropriate logic voltage level (either V_{CC} or GND)

KS54HCTLS
KS74HCTLS **239**

Dual 1-of-4 Decoders/Demultiplexers

T-67-21-55

DC ELECTRICAL CHARACTERISTICS ($V_{CC}=5V \pm 10\%$ Unless Otherwise Specified)

Characteristic	Symbol	Test Conditions	$T_a = 25^\circ\text{C}$			Unit	
			Typ	Guaranteed Limits			
Minimum High-Level Input Voltage	V_{IH}		2.0	2.0	2.0	V	
Maximum Low-Level Input Voltage	V_{IL}		0.8	0.8	0.8	V	
Minimum High-Level Output Voltage	V_{OH}	$V_{IN}=V_{IH}$ or V_{IL} $I_O=-20\mu\text{A}$ $I_O=-4\text{mA}$	V_{CC} 4.2	$V_{CC}-0.1$ 3.98	$V_{CC}-0.1$ 3.84	$V_{CC}-0.1$ 3.7	V
Maximum Low-Level Output Voltage	V_{OL}	$V_{IN}=V_{IH}$ or V_{IL} $I_O=20\mu\text{A}$ $I_O=4\text{mA}$ $I_O=8\text{mA}$	0	0.1 0.26 0.39	0.1 0.33 0.5	0.1 0.4	V
Maximum Input Current	I_{IN}	$V_{IN}=V_{CC}$ or GND		± 0.1	± 1.0	± 1.0	μA
Maximum Quiescent Supply Current	I_{CC}	$V_{IN}=V_{CC}$ or GND $I_{OUT}=0\mu\text{A}$		8.0	80.0	160.0	μA
Additional Worst Case Supply Current	ΔI_{CC}	per input pin $V_I=2.4\text{V}$ other Inputs: at V_{CC} or GND $I_{OUT}=0\mu\text{A}$		2.7	2.9	3.0	mA

AC ELECTRICAL CHARACTERISTICS (Input $t_r, t_f \leq 6$ ns), HCTLS239

Characteristic	Symbol	Conditions†	$T_a = 25^\circ\text{C}$ $V_{CC}=5.0\text{V}$		KS74HCTLS	KS54HCTLS	Unit
			Typ	Guaranteed Limits		$T_a = -40^\circ\text{C}$ to $+85^\circ\text{C}$ $V_{CC}=5.0\text{V} \pm 10\%$	
Maximum Propagation Delay, A or B any Y	t_{PLH}	$C_L=50\text{pF}$	22	30	37	45	ns
	t_{PHL}		22	30	37	45	
Maximum Propagation Delay, \bar{G} to any Y	t_{PLH}		21	8	35	42	ns
	t_{PHL}		22	8	35	42	
Maximum Input Capacitance	C_{IN}		5			pF	
Power Dissipation Capacitance*	C_{PD}		50			pF	

* C_{PD} determines the no-load dynamic power dissipation: $P_D=C_{PD}V_{CC}^2 f + I_{CC}V_{CC}$.

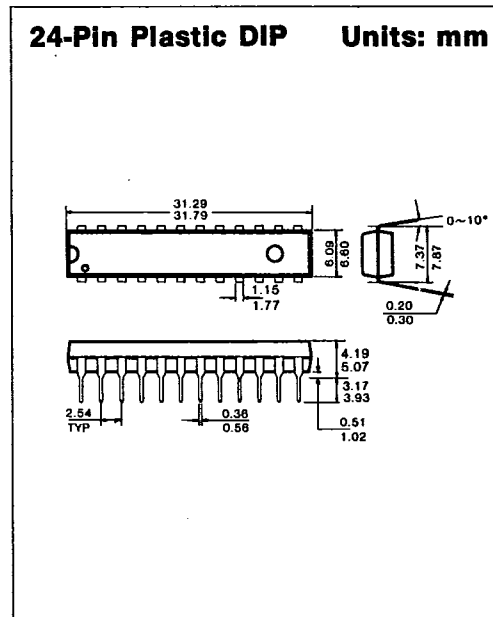
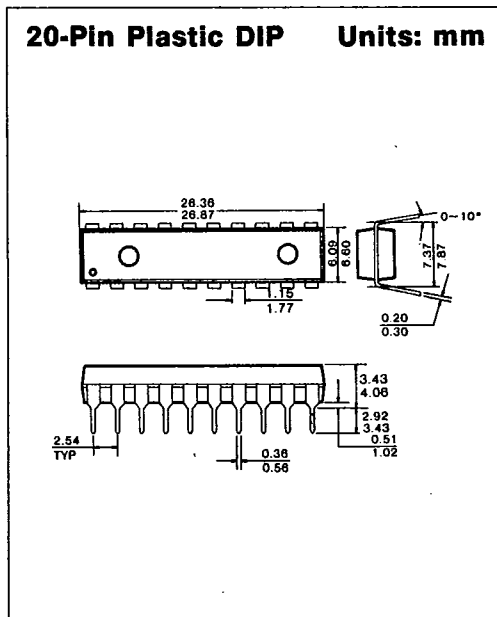
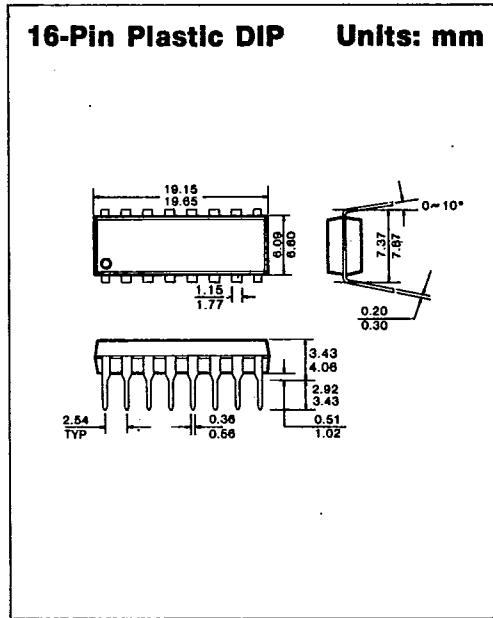
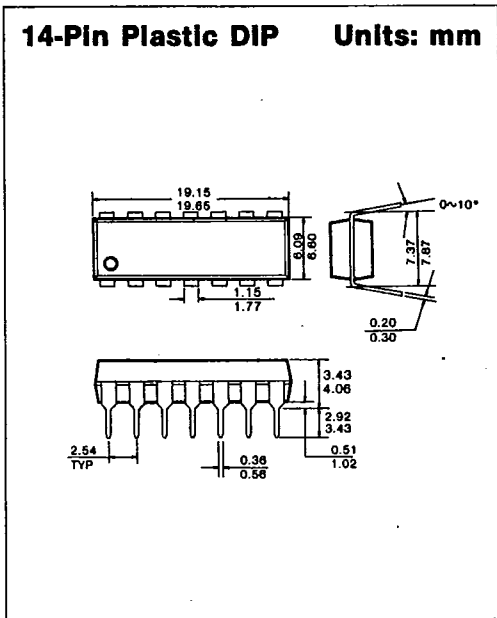
† For AC switching test circuits and timing waveforms see section 2.



PACKAGE DIMENSIONS

T-90-20

1. PLASTIC PACKAGES



7



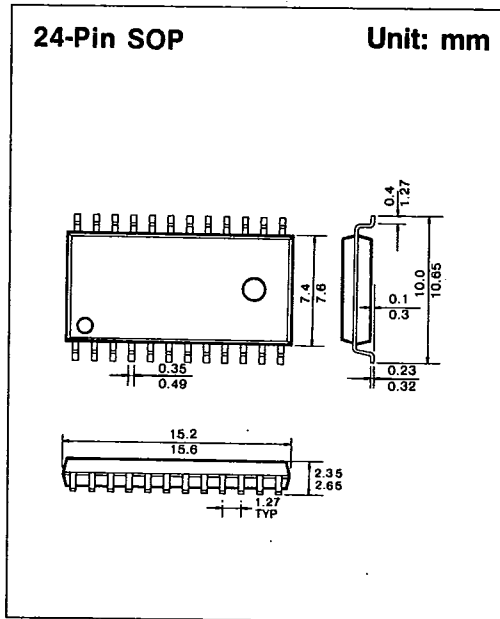
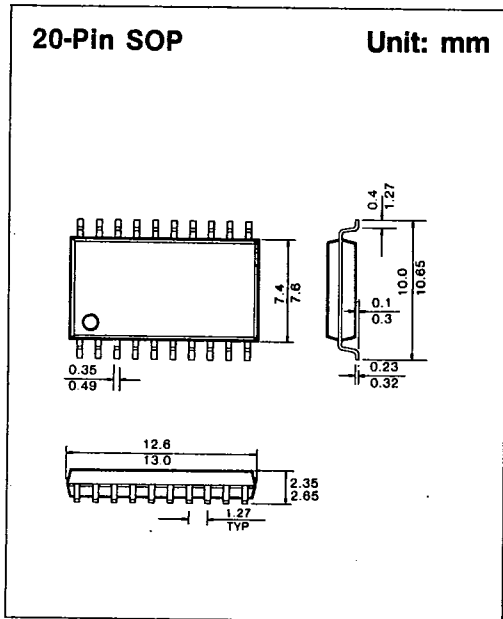
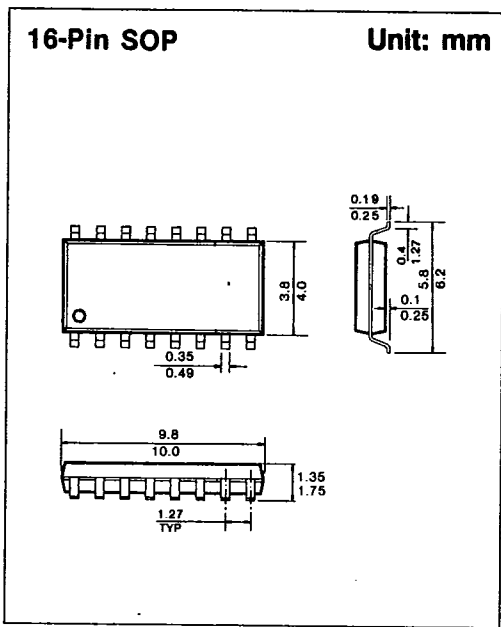
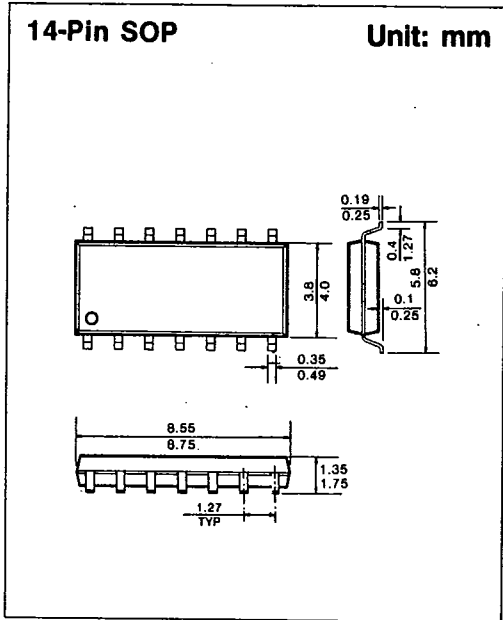
SAMSUNG SEMICONDUCTOR

1675

A-04

PACKAGE DIMENSIONS

T-90-20



PACKAGE DIMENSIONS

T-90-20

2. CERAMIC PACKAGES

14-Pin Ceramic DIP Units: mm

Dim	Millimeters	
	Min	Max
A	—	5.08
B	0.38	0.58
B ₁	1.40	1.78
C	0.20	0.38
D	18.16	19.58
E	8.10	7.49
E ₁	7.62	10.03
F	2.54	
L	3.18	4.19
Q	0.51	1.02
S	1.91	2.29

16-Pin Ceramic DIP Units: mm

Dim	Millimeters	
	Min	Max
A	—	5.08
B	0.38	0.58
B ₁	1.40	1.78
C	0.20	0.38
D	19.05	19.94
E	8.10	7.49
E ₁	7.62	10.03
F	2.54	
L	3.18	4.19
Q	0.51	1.02
S	0.51	1.14

20-Pin Ceramic DIP Units: mm

Dim	Millimeters	
	Min	Max
A	4.06	5.08
B	0.38	0.53
B ₁	1.14	1.52
C	0.20	0.38
D	25.78	26.93
E	8.10	8.60
E ₁	7.77	7.88
F	2.54	
L	3.73	4.01
Q	0.38	0.89
S	0.51	1.14

24-Pin Ceramic DIP Units: mm

Dim	Millimeters	
	Min	Max
A	4.06	5.08
B	0.38	0.53
B ₁	1.14	1.52
C	0.20	0.38
D	31.50	32.84
E	7.24	7.75
E ₁	7.77	7.98
F	2.54	
L	3.73	4.01
Q	0.508	1.778
S	1.85	1.93

7