

# 74LVC3G17

Triple non-inverting Schmitt trigger with 5 V tolerant input

Rev. 03 — 31 January 2005

Product data sheet

## 1. General description

---

The 74LVC3G17 is a high-performance, low-power, low-voltage, Si-gate CMOS device and superior to most advanced CMOS compatible TTL families.

Inputs can be driven from either 3.3 V or 5 V devices. This feature allows the use of this device as translator in a mixed 3.3 V and 5 V environment.

This device is fully specified for partial power-down applications using  $I_{off}$ . The  $I_{off}$  circuitry disables the output, preventing the damaging backflow current through the device when it is powered down.

The 74LVC3G17 provides three non-inverting buffers with Schmitt-trigger action. It is capable of transforming slowly changing input signals into sharply defined, jitter-free output signals.

## 2. Features

---

- Wide supply voltage range from 1.65 V to 5.5 V
- 5 V tolerant input/output for interfacing with 5 V logic
- High noise immunity
- ESD protection:
  - ◆ HBM EIA/JESD22-A114-B exceeds 2000 V
  - ◆ MM EIA/JESD22-A115-A exceeds 200 V.
- $\pm 24$  mA output drive ( $V_{CC} = 3.0$  V)
- CMOS low power consumption
- Latch-up performance exceeds 250 mA
- Direct interface with TTL levels
- Multiple package options
- Specified from  $-40$  °C to  $+85$  °C and  $-40$  °C to  $+125$  °C.

## 3. Applications

---

- Wave and pulse shapers for highly noisy environments.

**PHILIPS**

## 4. Quick reference data

**Table 1: Quick reference data**

$GND = 0\text{ V}$ ;  $T_{amb} = 25\text{ }^\circ\text{C}$ .

Symbol	Parameter	Conditions	Min	Typ	Max	Unit
$t_{PHL}$ , $t_{PLH}$	propagation delay input nA to output nY	$V_{CC} = 1.8\text{ V}$ ; $C_L = 30\text{ pF}$ ; $R_L = 1\text{ k}\Omega$	-	5.6	-	ns
		$V_{CC} = 2.5\text{ V}$ ; $C_L = 30\text{ pF}$ ; $R_L = 500\text{ }\Omega$	-	3.7	-	ns
		$V_{CC} = 2.7\text{ V}$ ; $C_L = 50\text{ pF}$ ; $R_L = 500\text{ }\Omega$	-	3.8	-	ns
		$V_{CC} = 3.3\text{ V}$ ; $C_L = 50\text{ pF}$ ; $R_L = 500\text{ }\Omega$	-	3.6	-	ns
		$V_{CC} = 5.0\text{ V}$ ; $C_L = 50\text{ pF}$ ; $R_L = 500\text{ }\Omega$	-	2.7	-	ns
$C_I$	input capacitance		-	3.5	-	pF
$C_{PD}$	power dissipation capacitance per buffer	$V_{CC} = 3.3\text{ V}$	[1][2]	16.3	-	pF

[1]  $C_{PD}$  is used to determine the dynamic power dissipation ( $P_D$  in  $\mu\text{W}$ ).

$$P_D = C_{PD} \times V_{CC}^2 \times f_i \times N + \sum(C_L \times V_{CC}^2 \times f_o) \text{ where:}$$

$f_i$  = input frequency in MHz;

$f_o$  = output frequency in MHz;

$C_L$  = output load capacitance in pF;

$V_{CC}$  = supply voltage in V;

$N$  = number of inputs switching;

$\sum(C_L \times V_{CC}^2 \times f_o)$  = sum of outputs.

[2] The condition is  $V_I = GND$  to  $V_{CC}$ .

## 5. Ordering information

**Table 2: Ordering information**

Type number	Package			
	Temperature range	Name	Description	Version
74LVC3G17DP	-40 °C to +125 °C	TSSOP8	plastic thin shrink small outline package; 8 leads; body width 3 mm; lead length 0.5 mm	SOT505-2
74LVC3G17DC	-40 °C to +125 °C	VSSOP8	plastic very thin shrink small outline package; 8 leads; body width 2.3 mm	SOT765-1
74LVC3G17GT	-40 °C to +125 °C	XSON8	plastic extremely thin small outline package; no leads; 8 terminals; body $1 \times 1.95 \times 0.5\text{ mm}$	SOT833-1

## 6. Marking

**Table 3: Marking codes**

Type number	Marking code
74LVC3G17DP	V17
74LVC3G17DC	V17
74LVC3G17GT	V17

## 7. Functional diagram

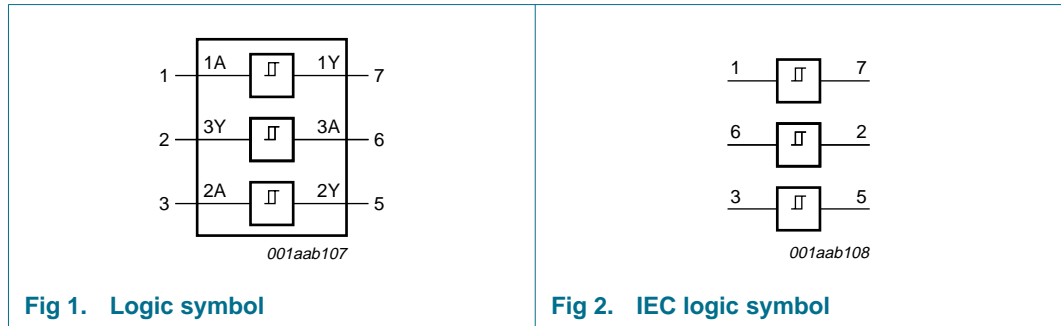


Fig 1. Logic symbol

Fig 2. IEC logic symbol

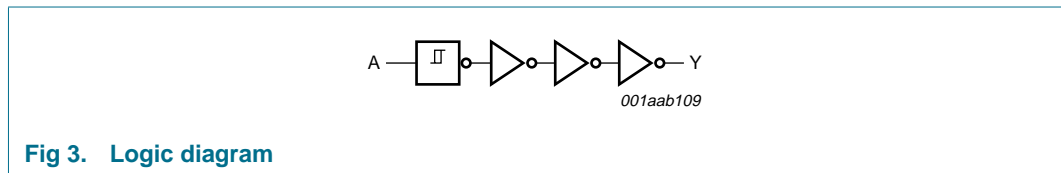


Fig 3. Logic diagram

## 8. Pinning information

### 8.1 Pinning

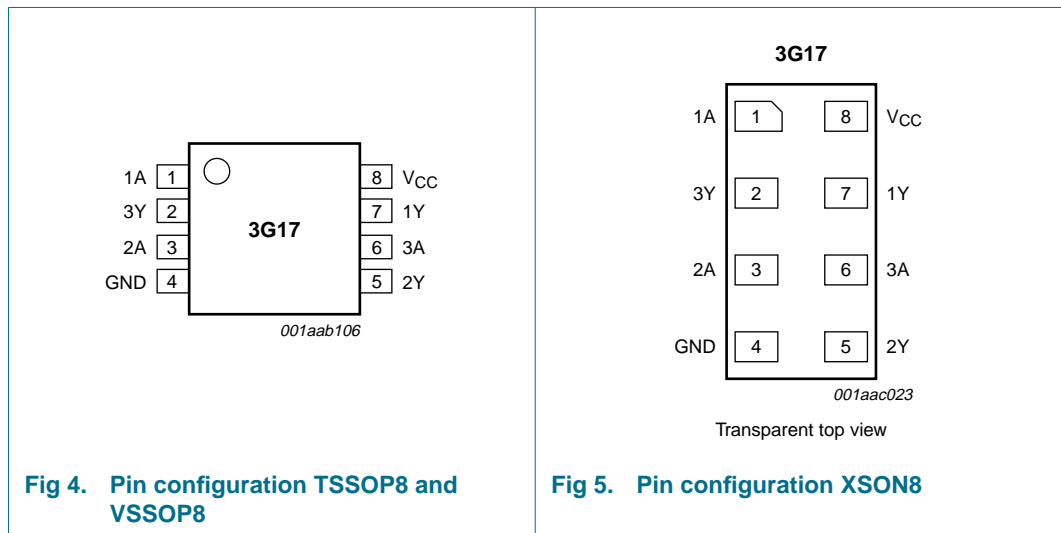


Fig 4. Pin configuration TSSOP8 and VSSOP8

Fig 5. Pin configuration XSON8

## 8.2 Pin description

Table 4: Pin description

Symbol	Pin	Description
1A	1	data input
3Y	2	data output
2A	3	data input
GND	4	ground (0 V)
2Y	5	data output
3A	6	data input
1Y	7	data output
V <sub>CC</sub>	8	supply voltage

## 9. Functional description

### 9.1 Function table

Table 5: Function table [\[1\]](#)

Input nA	Output nY
L	L
H	H

[1] H = HIGH voltage level;  
L = LOW voltage level.

## 10. Limiting values

Table 6: Limiting values

In accordance with the Absolute Maximum Rating System (IEC 60134). Voltages are referenced to GND (ground = 0 V).

Symbol	Parameter	Conditions	Min	Max	Unit
V <sub>CC</sub>	supply voltage		-0.5	+6.5	V
V <sub>I</sub>	input voltage		<a href="#">[1]</a> -0.5	+6.5	V
V <sub>O</sub>	output voltage	active mode	<a href="#">[1]</a> -0.5	V <sub>CC</sub> + 0.5	V
		Power-down mode	<a href="#">[1]</a> <a href="#">[2]</a> -0.5	+6.5	V
I <sub>IK</sub>	input diode current	V <sub>I</sub> < 0 V	-	-50	mA
I <sub>OK</sub>	output diode current	V <sub>O</sub> > V <sub>CC</sub> or V <sub>O</sub> < 0 V	-	±50	mA
I <sub>O</sub>	output source or sink current	V <sub>O</sub> = 0 V to V <sub>CC</sub>	-	±50	mA
I <sub>CC</sub> , I <sub>GND</sub>	V <sub>CC</sub> or GND current		-	±100	mA
T <sub>stg</sub>	storage temperature		-65	+150	°C
P <sub>tot</sub>	power dissipation	T <sub>amb</sub> = -40 °C to +125 °C	-	300	mW

[1] The input and output voltage ratings may be exceeded if the input and output current ratings are observed.

[2] When V<sub>CC</sub> = 0 V (Power-down mode), the output voltage can be 5.5 V in normal operation.

## 11. Recommended operating conditions

Table 7: Recommended operating conditions

Symbol	Parameter	Conditions	Min	Typ	Max	Unit
$V_{CC}$	supply voltage		1.65	-	5.5	V
$V_I$	input voltage		0	-	5.5	V
$V_O$	output voltage		0	-	$V_{CC}$	V
$T_{amb}$	ambient temperature		-40	-	+125	°C

## 12. Static characteristics

Table 8: Static characteristics

At recommended operating conditions; voltages are referenced to GND (ground = 0 V).

Symbol	Parameter	Conditions	Min	Typ	Max	Unit
$T_{amb} = -40\text{ °C to }+85\text{ °C}$ [1]						
$V_{OL}$	LOW-level output voltage	$V_I = V_{IH}$ or $V_{IL}$				
		$I_O = 100\text{ }\mu\text{A}$ ; $V_{CC} = 1.65\text{ V to }5.5\text{ V}$	-	-	0.1	V
		$I_O = 4\text{ mA}$ ; $V_{CC} = 1.65\text{ V}$	-	-	0.45	V
		$I_O = 8\text{ mA}$ ; $V_{CC} = 2.3\text{ V}$	-	-	0.3	V
		$I_O = 12\text{ mA}$ ; $V_{CC} = 2.7\text{ V}$	-	-	0.4	V
		$I_O = 24\text{ mA}$ ; $V_{CC} = 3.0\text{ V}$	-	-	0.55	V
		$I_O = 32\text{ mA}$ ; $V_{CC} = 4.5\text{ V}$	-	-	0.55	V
$V_{OH}$	HIGH-level output voltage	$V_I = V_{IH}$ or $V_{IL}$				
		$I_O = -100\text{ }\mu\text{A}$ ; $V_{CC} = 1.65\text{ V to }5.5\text{ V}$	$V_{CC} - 0.1$	-	-	V
		$I_O = -4\text{ mA}$ ; $V_{CC} = 1.65\text{ V}$	1.2	-	-	V
		$I_O = -8\text{ mA}$ ; $V_{CC} = 2.3\text{ V}$	1.9	-	-	V
		$I_O = -12\text{ mA}$ ; $V_{CC} = 2.7\text{ V}$	2.2	-	-	V
		$I_O = -24\text{ mA}$ ; $V_{CC} = 3.0\text{ V}$	2.3	-	-	V
		$I_O = -32\text{ mA}$ ; $V_{CC} = 4.5\text{ V}$	3.8	-	-	V
$I_{LI}$	input leakage current	$V_I = 5.5\text{ V}$ or GND; $V_{CC} = 5.5\text{ V}$	-	$\pm 0.1$	$\pm 5$	$\mu\text{A}$
$I_{off}$	power-off leakage current	$V_I$ or $V_O = 5.5\text{ V}$ ; $V_{CC} = 0\text{ V}$	-	$\pm 0.1$	$\pm 10$	$\mu\text{A}$
$I_{CC}$	quiescent supply current	$V_I = V_{CC}$ or GND; $I_O = 0\text{ A}$ ; $V_{CC} = 5.5\text{ V}$	-	0.1	10	$\mu\text{A}$
$\Delta I_{CC}$	additional quiescent supply current per pin	$V_I = V_{CC} - 0.6\text{ V}$ ; $I_O = 0\text{ A}$ ; $V_{CC} = 2.3\text{ V to }5.5\text{ V}$	-	5	500	$\mu\text{A}$
$C_I$	input capacitance		-	3.5	-	pF

**Table 8: Static characteristics ...continued**

At recommended operating conditions; voltages are referenced to GND (ground = 0 V).

Symbol	Parameter	Conditions	Min	Typ	Max	Unit
<b>T<sub>amb</sub> = -40 °C to +125 °C</b>						
V <sub>OL</sub>	LOW-level output voltage	V <sub>I</sub> = V <sub>IH</sub> or V <sub>IL</sub> I <sub>O</sub> = 100 μA; V <sub>CC</sub> = 1.65 V to 5.5 V	-	-	0.1	V
		I <sub>O</sub> = 4 mA; V <sub>CC</sub> = 1.65 V	-	-	0.70	V
		I <sub>O</sub> = 8 mA; V <sub>CC</sub> = 2.3 V	-	-	0.45	V
		I <sub>O</sub> = 12 mA; V <sub>CC</sub> = 2.7 V	-	-	0.60	V
		I <sub>O</sub> = 24 mA; V <sub>CC</sub> = 3.0 V	-	-	0.80	V
		I <sub>O</sub> = 32 mA; V <sub>CC</sub> = 4.5 V	-	-	0.80	V
V <sub>OH</sub>	HIGH-level output voltage	V <sub>I</sub> = V <sub>IH</sub> or V <sub>IL</sub> I <sub>O</sub> = -100 μA; V <sub>CC</sub> = 1.65 V to 5.5 V	V <sub>CC</sub> - 0.1	-	-	V
		I <sub>O</sub> = -4 mA; V <sub>CC</sub> = 1.65 V	0.95	-	-	V
		I <sub>O</sub> = -8 mA; V <sub>CC</sub> = 2.3 V	1.7	-	-	V
		I <sub>O</sub> = -12 mA; V <sub>CC</sub> = 2.7 V	1.9	-	-	V
		I <sub>O</sub> = -24 mA; V <sub>CC</sub> = 3.0 V	2.0	-	-	V
		I <sub>O</sub> = -32 mA; V <sub>CC</sub> = 4.5 V	3.4	-	-	V
I <sub>LI</sub>	input leakage current	V <sub>I</sub> = 5.5 V or GND; V <sub>CC</sub> = 5.5 V	-	-	±20	μA
I <sub>off</sub>	power-off leakage current	V <sub>I</sub> or V <sub>O</sub> = 5.5 V; V <sub>CC</sub> = 0 V	-	-	±20	μA
I <sub>CC</sub>	quiescent supply current	V <sub>I</sub> = V <sub>CC</sub> or GND; I <sub>O</sub> = 0 A; V <sub>CC</sub> = 5.5 V	-	-	40	μA
ΔI <sub>CC</sub>	additional quiescent supply current per pin	V <sub>I</sub> = V <sub>CC</sub> - 0.6 V; I <sub>O</sub> = 0 A; V <sub>CC</sub> = 2.3 V to 5.5 V	-	-	5000	μA

[1] All typical values are measured at T<sub>amb</sub> = 25 °C.

## 13. Dynamic characteristics

**Table 9: Dynamic characteristics**

GND = 0 V.

Symbol	Parameter	Conditions	Min	Typ	Max	Unit
<b>T<sub>amb</sub> = -40 °C to +85 °C [1]</b>						
t <sub>PHL</sub> , t <sub>PLH</sub>	propagation delay input nA to output nY	see <a href="#">Figure 6</a> and <a href="#">7</a>				
		V <sub>CC</sub> = 1.65 V to 1.95 V	1.5	5.6	10.5	ns
		V <sub>CC</sub> = 2.3 V to 2.7 V	1.0	3.7	6.5	ns
		V <sub>CC</sub> = 2.7 V	1.0	3.8	6.5	ns
		V <sub>CC</sub> = 3.0 V to 3.6 V	1.0	3.6	5.7	ns
		V <sub>CC</sub> = 4.5 V to 5.5 V	1.0	2.7	4.3	ns
C <sub>PD</sub>	power dissipation capacitance per buffer	V <sub>CC</sub> = 3.3 V	<a href="#">[2]</a> <a href="#">[3]</a>	16.3	-	pF

**Table 9: Dynamic characteristics ...continued**  
*GND = 0 V.*

Symbol	Parameter	Conditions	Min	Typ	Max	Unit
<b>T<sub>amb</sub> = -40 °C to +125 °C</b>						
t <sub>PHL</sub> , t <sub>PLH</sub>	propagation delay input nA to output nY	see <a href="#">Figure 6</a> and <a href="#">7</a>				
		V <sub>CC</sub> = 1.65 V to 1.95 V	1.5	-	13.1	ns
		V <sub>CC</sub> = 2.3 V to 2.7 V	1.0	-	8.5	ns
		V <sub>CC</sub> = 2.7 V	1.0	-	8.5	ns
		V <sub>CC</sub> = 3.0 V to 3.6 V	1.0	-	7.1	ns
		V <sub>CC</sub> = 4.5 V to 5.5 V	1.0	-	5.4	ns

[1] All typical values are measured at nominal V<sub>CC</sub> and T<sub>amb</sub> = 25 °C.

[2] C<sub>PD</sub> is used to determine the dynamic power dissipation (P<sub>D</sub> in μW).

$$P_D = C_{PD} \times V_{CC}^2 \times f_i \times N + \sum(C_L \times V_{CC}^2 \times f_o)$$

where:

f<sub>i</sub> = input frequency in MHz;

f<sub>o</sub> = output frequency in MHz;

C<sub>L</sub> = output load capacitance in pF;

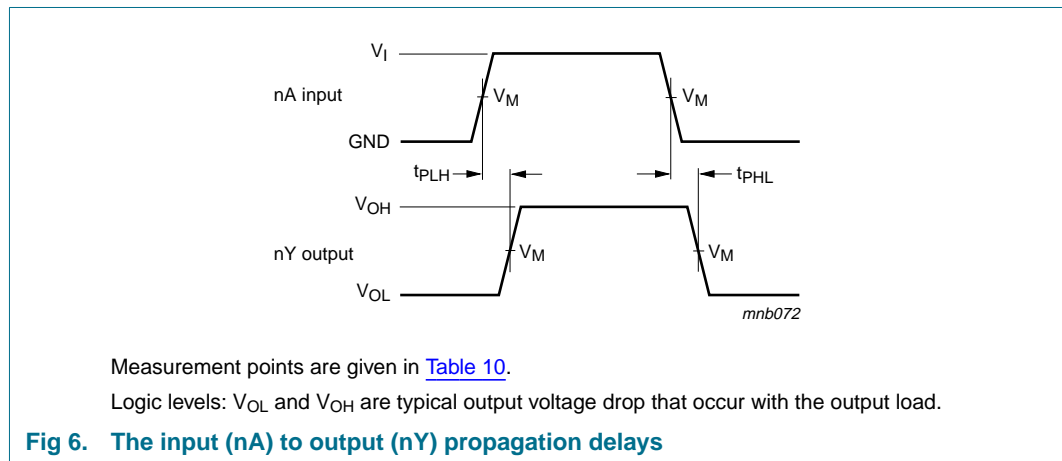
V<sub>CC</sub> = supply voltage in V;

N = number of inputs switching;

∑(C<sub>L</sub> × V<sub>CC</sub><sup>2</sup> × f<sub>o</sub>) = sum of outputs.

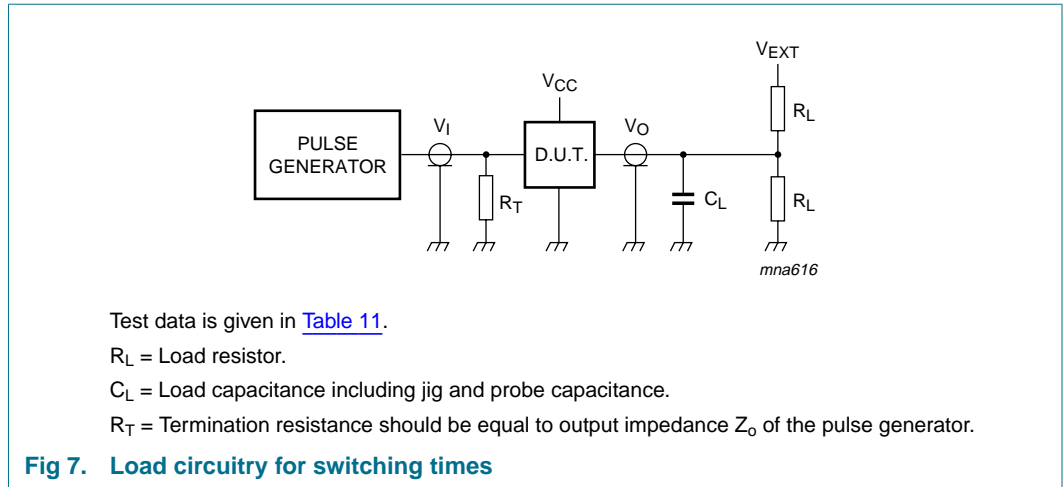
[3] The condition is V<sub>I</sub> = GND to V<sub>CC</sub>.

## 14. Waveforms



**Table 10: Measurement points**

Supply voltage	Input	Output
V <sub>CC</sub>	V <sub>M</sub>	V <sub>M</sub>
1.65 V to 1.95 V	0.5 × V <sub>CC</sub>	0.5 × V <sub>CC</sub>
2.3 V to 2.7 V	0.5 × V <sub>CC</sub>	0.5 × V <sub>CC</sub>
2.7 V	1.5 V	1.5 V
3.0 V to 3.6 V	1.5 V	1.5 V
4.5 V to 5.5 V	0.5 × V <sub>CC</sub>	0.5 × V <sub>CC</sub>



**Table 11: Test data**

Supply voltage	Input	Load			$V_{EXT}$		
$V_{CC}$	$V_I$	$t_r, t_f$	$C_L$	$R_L$	$t_{PLH}, t_{PHL}$	$t_{PZH}, t_{PHZ}$	$t_{PZL}, t_{PLZ}$
1.65 V to 1.95 V	$V_{CC}$	$\leq 2.0$ ns	30 pF	1 k $\Omega$	open	GND	$2 \times V_{CC}$
2.3 V to 2.7 V	$V_{CC}$	$\leq 2.0$ ns	30 pF	500 $\Omega$	open	GND	$2 \times V_{CC}$
2.7 V	2.7 V	$\leq 2.5$ ns	50 pF	500 $\Omega$	open	GND	6 V
3.0 V to 3.6 V	2.7 V	$\leq 2.5$ ns	50 pF	500 $\Omega$	open	GND	6 V
4.5 V to 5.5 V	$V_{CC}$	$\leq 2.5$ ns	50 pF	500 $\Omega$	open	GND	$2 \times V_{CC}$

## 15. Transfer characteristics

**Table 12: Transfer characteristics**

Voltages are referenced to GND (ground = 0 V).

Symbol	Parameter	Conditions	Min	Typ	Max	Unit
$T_{amb} = -40$ °C to $+85$ °C [1]						
$V_{T+}$	positive-going threshold	see <a href="#">Figure 8</a> and <a href="#">9</a>				
		$V_{CC} = 1.8$ V	0.70	1.10	1.50	V
		$V_{CC} = 2.3$ V	1.00	1.40	1.80	V
		$V_{CC} = 3.0$ V	1.30	1.76	2.20	V
		$V_{CC} = 4.5$ V	1.90	2.47	3.10	V
		$V_{CC} = 5.5$ V	2.20	2.91	3.60	V
$V_{T-}$	negative-going threshold	see <a href="#">Figure 8</a> and <a href="#">9</a>				
		$V_{CC} = 1.8$ V	0.25	0.61	0.90	V
		$V_{CC} = 2.3$ V	0.40	0.80	1.15	V
		$V_{CC} = 3.0$ V	0.60	1.04	1.50	V
		$V_{CC} = 4.5$ V	1.00	1.55	2.00	V
		$V_{CC} = 5.5$ V	1.20	1.86	2.30	V

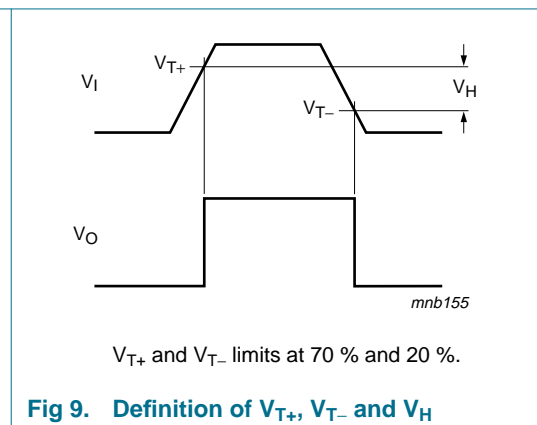
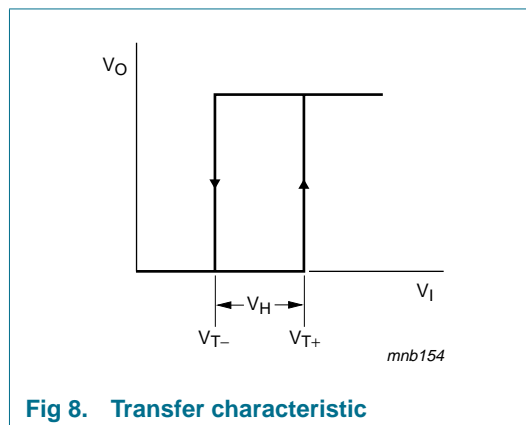


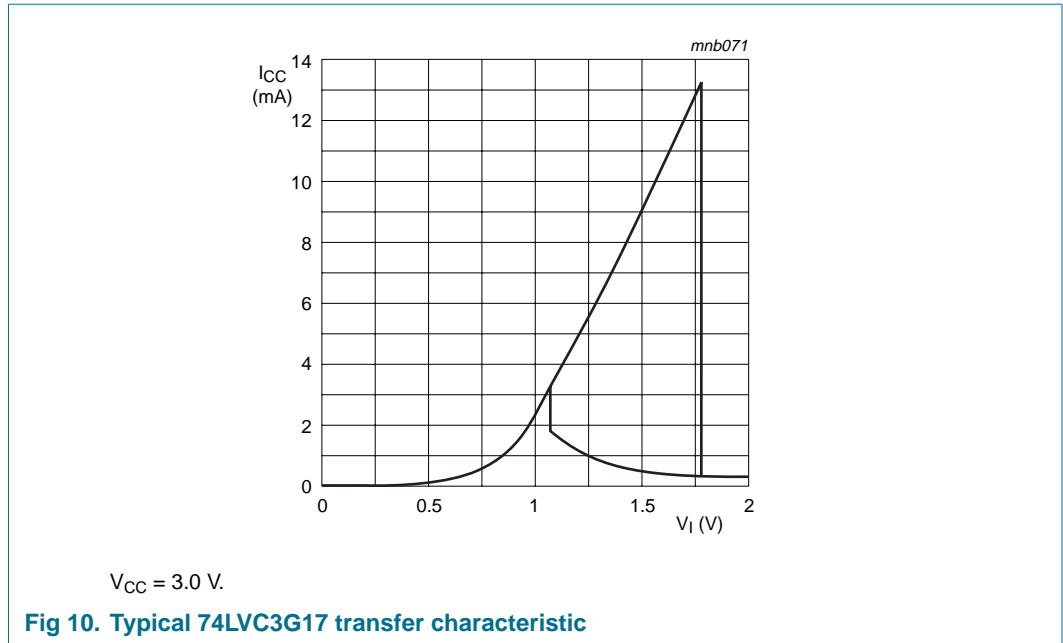
**Table 12: Transfer characteristics ...continued**  
 Voltages are referenced to GND (ground = 0 V).

Symbol	Parameter	Conditions	Min	Typ	Max	Unit
$V_H$	hysteresis ( $V_{T+} - V_{T-}$ )	see <a href="#">Figure 8, 9 and 10</a>				
		$V_{CC} = 1.8\text{ V}$	0.15	0.49	1.00	V
		$V_{CC} = 2.3\text{ V}$	0.25	0.60	1.10	V
		$V_{CC} = 3.0\text{ V}$	0.40	0.73	1.20	V
		$V_{CC} = 4.5\text{ V}$	0.60	0.92	1.50	V
		$V_{CC} = 5.5\text{ V}$	0.70	1.02	1.70	V
<b><math>T_{amb} = -40\text{ }^{\circ}\text{C to }+125\text{ }^{\circ}\text{C}</math></b>						
$V_{T+}$	positive-going threshold	see <a href="#">Figure 8 and 9</a>				
		$V_{CC} = 1.8\text{ V}$	0.70	-	1.70	V
		$V_{CC} = 2.3\text{ V}$	1.00	-	2.00	V
		$V_{CC} = 3.0\text{ V}$	1.30	-	2.40	V
		$V_{CC} = 4.5\text{ V}$	1.90	-	3.30	V
		$V_{CC} = 5.5\text{ V}$	2.20	-	3.80	V
$V_{T-}$	negative-going threshold	see <a href="#">Figure 8 and 9</a>				
		$V_{CC} = 1.8\text{ V}$	0.25	-	1.10	V
		$V_{CC} = 2.3\text{ V}$	0.40	-	1.35	V
		$V_{CC} = 3.0\text{ V}$	0.60	-	1.70	V
		$V_{CC} = 4.5\text{ V}$	1.00	-	2.20	V
		$V_{CC} = 5.5\text{ V}$	1.20	-	2.50	V
$V_H$	hysteresis ( $V_{T+} - V_{T-}$ )	see <a href="#">Figure 8, 9 and 10</a>				
		$V_{CC} = 1.8\text{ V}$	0.15	-	1.20	V
		$V_{CC} = 2.3\text{ V}$	0.25	-	1.30	V
		$V_{CC} = 3.0\text{ V}$	0.40	-	1.40	V
		$V_{CC} = 4.5\text{ V}$	0.60	-	1.70	V
		$V_{CC} = 5.5\text{ V}$	0.70	-	1.90	V

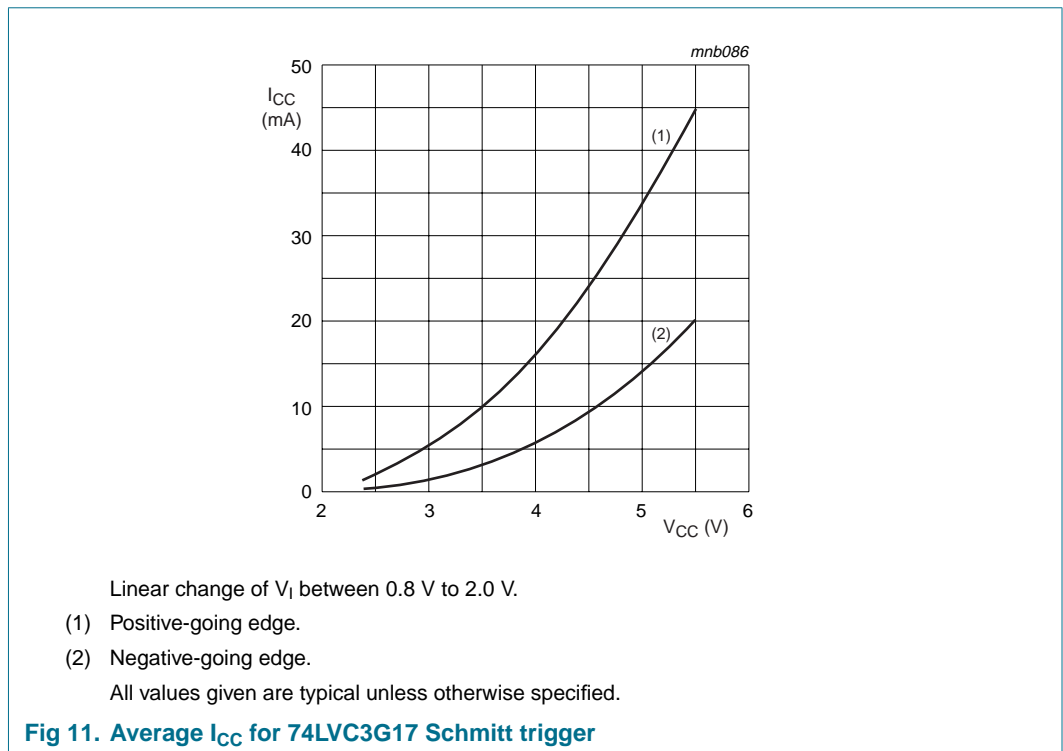
[1] All typical values are measured at  $T_{amb} = 25\text{ }^{\circ}\text{C}$ .

## 16. Waveforms transfer characteristics





## 17. Application information



18. Package outline

TSSOP8: plastic thin shrink small outline package; 8 leads; body width 3 mm; lead length 0.5 mm SOT505-2

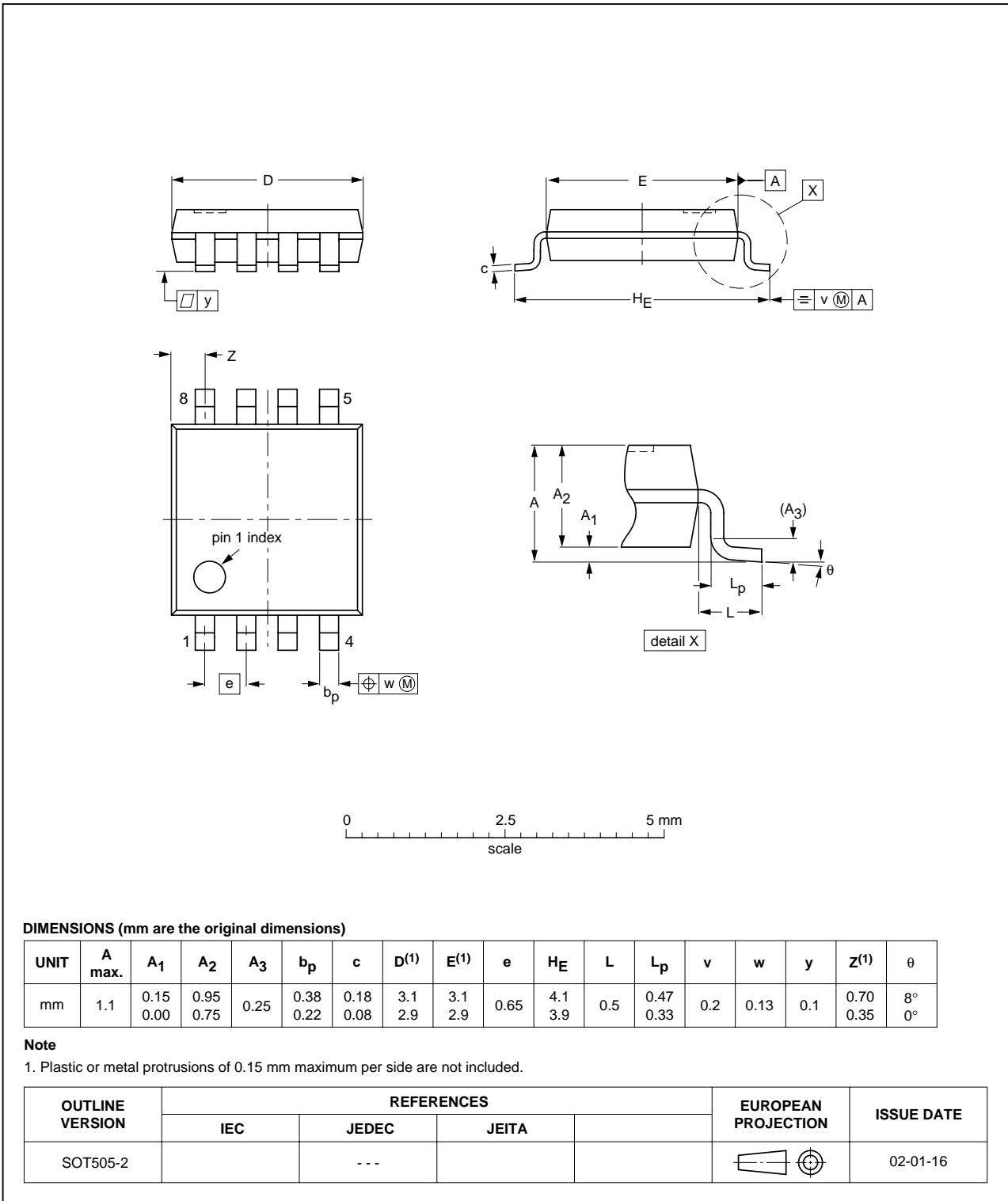


Fig 12. Package outline SOT505-2 (TSSOP8)

VSSOP8: plastic very thin shrink small outline package; 8 leads; body width 2.3 mm

SOT765-1

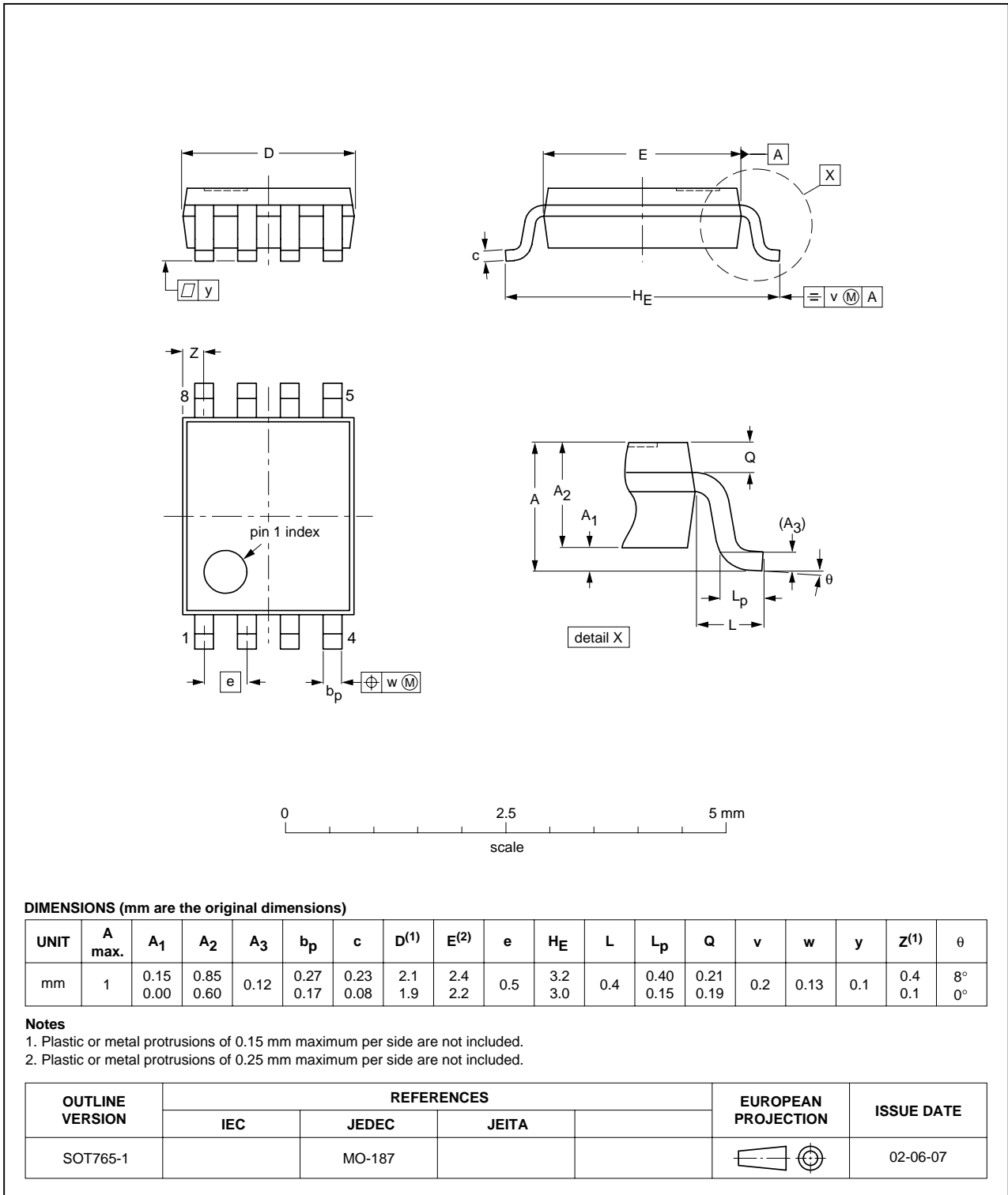


Fig 13. Package outline SOT765-1 (VSSOP8)

XSON8: plastic extremely thin small outline package; no leads; 8 terminals; body 1 x 1.95 x 0.5 mm

SOT833-1

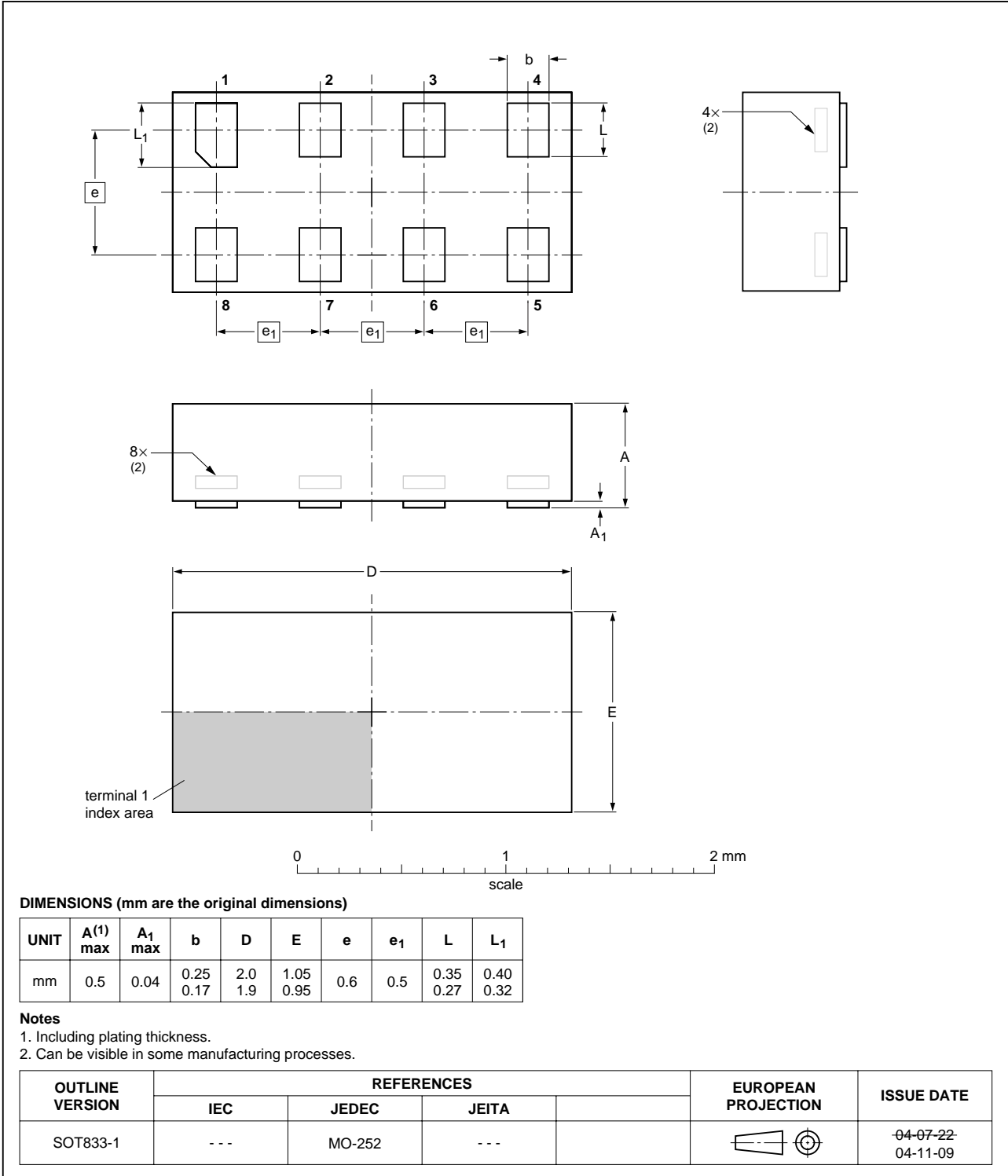


Fig 14. Package outline SOT833-1 (XSON8)

## 19. Revision history

**Table 13: Revision history**

Document ID	Release date	Data sheet status	Change notice	Doc. number	Supersedes
74LVC3G17_3	20050131	Product data sheet	-	9397 750 14544	74LVC3G17_2
Modifications:	• Changed: type number 74LVC3G17GT				
74LVC3G17_2	20041103	Product data sheet	-	9397 750 13793	74LVC3G17_1
74LVC3G17_1	20040624	Product data sheet	-	9397 750 13332	-

## 20. Data sheet status

Level	Data sheet status <sup>[1]</sup>	Product status <sup>[2]</sup> <sup>[3]</sup>	Definition
I	Objective data	Development	This data sheet contains data from the objective specification for product development. Philips Semiconductors reserves the right to change the specification in any manner without notice.
II	Preliminary data	Qualification	This data sheet contains data from the preliminary specification. Supplementary data will be published at a later date. Philips Semiconductors reserves the right to change the specification without notice, in order to improve the design and supply the best possible product.
III	Product data	Production	This data sheet contains data from the product specification. Philips Semiconductors reserves the right to make changes at any time in order to improve the design, manufacturing and supply. Relevant changes will be communicated via a Customer Product/Process Change Notification (CPCN).

[1] Please consult the most recently issued data sheet before initiating or completing a design.

[2] The product status of the device(s) described in this data sheet may have changed since this data sheet was published. The latest information is available on the Internet at URL <http://www.semiconductors.philips.com>.

[3] For data sheets describing multiple type numbers, the highest-level product status determines the data sheet status.

## 21. Definitions

**Short-form specification** — The data in a short-form specification is extracted from a full data sheet with the same type number and title. For detailed information see the relevant data sheet or data handbook.

**Limiting values definition** — Limiting values given are in accordance with the Absolute Maximum Rating System (IEC 60134). Stress above one or more of the limiting values may cause permanent damage to the device. These are stress ratings only and operation of the device at these or at any other conditions above those given in the Characteristics sections of the specification is not implied. Exposure to limiting values for extended periods may affect device reliability.

**Application information** — Applications that are described herein for any of these products are for illustrative purposes only. Philips Semiconductors make no representation or warranty that such applications will be suitable for the specified use without further testing or modification.

## 22. Disclaimers

**Life support** — These products are not designed for use in life support appliances, devices, or systems where malfunction of these products can reasonably be expected to result in personal injury. Philips Semiconductors customers using or selling these products for use in such applications do so at their own risk and agree to fully indemnify Philips Semiconductors for any damages resulting from such application.

**Right to make changes** — Philips Semiconductors reserves the right to make changes in the products - including circuits, standard cells, and/or software - described or contained herein in order to improve design and/or performance. When the product is in full production (status 'Production'), relevant changes will be communicated via a Customer Product/Process Change Notification (CPCN). Philips Semiconductors assumes no responsibility or liability for the use of any of these products, conveys no license or title under any patent, copyright, or mask work right to these products, and makes no representations or warranties that these products are free from patent, copyright, or mask work right infringement, unless otherwise specified.

## 23. Contact information

For additional information, please visit: <http://www.semiconductors.philips.com>

For sales office addresses, send an email to: [sales.addresses@www.semiconductors.philips.com](mailto:sales.addresses@www.semiconductors.philips.com)

## 24. Contents

---

1	General description . . . . .	1
2	Features . . . . .	1
3	Applications . . . . .	1
4	Quick reference data . . . . .	2
5	Ordering information . . . . .	2
6	Marking . . . . .	2
7	Functional diagram . . . . .	3
8	Pinning information . . . . .	3
8.1	Pinning . . . . .	3
8.2	Pin description . . . . .	4
9	Functional description . . . . .	4
9.1	Function table . . . . .	4
10	Limiting values . . . . .	4
11	Recommended operating conditions . . . . .	5
12	Static characteristics . . . . .	5
13	Dynamic characteristics . . . . .	6
14	Waveforms . . . . .	7
15	Transfer characteristics . . . . .	8
16	Waveforms transfer characteristics . . . . .	9
17	Application information . . . . .	10
18	Package outline . . . . .	11
19	Revision history . . . . .	14
20	Data sheet status . . . . .	15
21	Definitions . . . . .	15
22	Disclaimers . . . . .	15
23	Contact information . . . . .	15



© Koninklijke Philips Electronics N.V. 2005

All rights are reserved. Reproduction in whole or in part is prohibited without the prior written consent of the copyright owner. The information presented in this document does not form part of any quotation or contract, is believed to be accurate and reliable and may be changed without notice. No liability will be accepted by the publisher for any consequence of its use. Publication thereof does not convey nor imply any license under patent- or other industrial or intellectual property rights.

Date of release: 31 January 2005  
Document number: 9397 750 14544

Published in The Netherlands