

TC74LVX14F, TC74LVX14FN, TC74LVX14FT

HEX SCHMITT INVERTER

The TC74LVX14 is a high speed CMOS HEX SCHMITT INVERTER fabricated with silicon gate C²MOS technology. Designed for use in 3.3 Volt systems, it achieves high speed operation while maintaining the CMOS low power dissipation. This device is suitable for low voltage and battery operated systems.

Pin configuration and function are the same as the TC74LVX04 but the inputs have hysteresis and with its schmitt trigger function, the TC74LVX14 can be used as a line receivers which will receive slow input signals.

An input protection circuit ensures that 0 to 7V can be applied to the input pins without regard to the supply voltage.

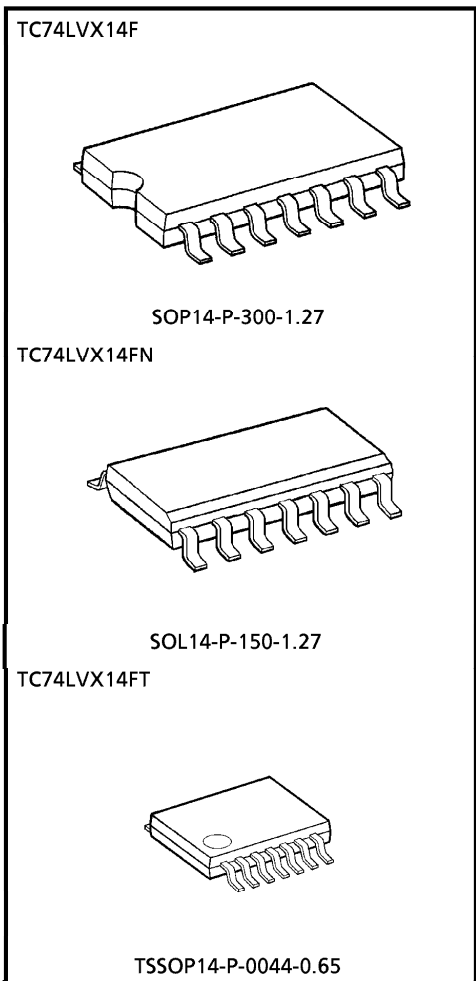
This device can be used to interface 5V to 3V systems and two supply systems such as battery back up.

This circuit prevents device destruction due to mismatched supply and input voltages.

FEATURES

- High speed : $t_{pd} = 6.8ns$ (Typ.) ($V_{CC} = 3.3V$)
- Low power dissipation : $I_{CC} = 2\mu A$ (Max.) ($T_a = 25^\circ C$)
- Power down protection is provided on all inputs.
- Balanced propagation delays : $t_{pLH} \approx t_{pHL}$
- Low noise : $V_{OLP} = 0.5V$ (Max.)
- Pin and function compatible with 74HC14

(Note) The JEDEC SOP (FN) is not available in Japan.



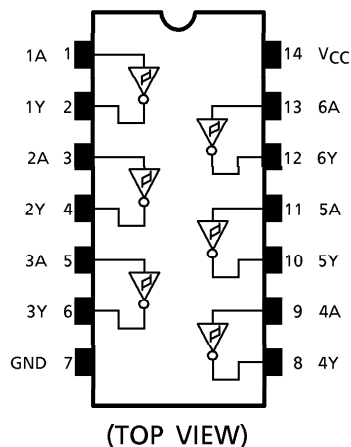
Weight

SOP14-P-300-1.27	: 0.18g (Typ.)
SOL14-P-150-1.27	: 0.12g (Typ.)
TSSOP14-P-0044-0.65	: 0.06g (Typ.)

961001EBA2

● TOSHIBA is continually working to improve the quality and the reliability of its products. Nevertheless, semiconductor devices in general can malfunction or fail due to their inherent electrical sensitivity and vulnerability to physical stress. It is the responsibility of the buyer, when utilizing TOSHIBA products, to observe standards of safety, and to avoid situations in which a malfunction or failure of a TOSHIBA product could cause loss of human life, bodily injury or damage to property. In developing your designs, please ensure that TOSHIBA products are used within specified operating ranges as set forth in the most recent products specifications. Also, please keep in mind the precautions and conditions set forth in the TOSHIBA Semiconductor Reliability Handbook.

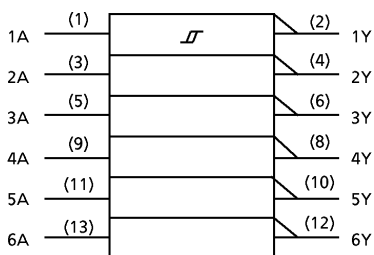
PIN ASSIGNMENT



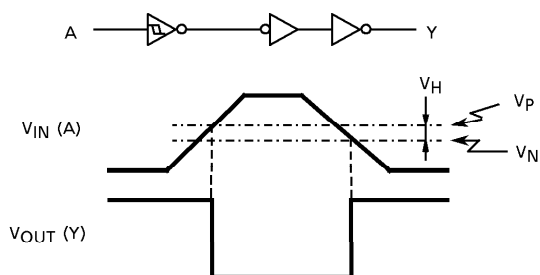
TRUTH TABLE

INPUTS	OUTPUTS
A	Y
L	H
H	L

IEC LOGIC SYMBOL



SYSTEM DIAGRAM, WAVEFORM



961001EBA2'

- The products described in this document are subject to foreign exchange and foreign trade control laws.
- The information contained herein is presented only as a guide for the applications of our products. No responsibility is assumed by TOSHIBA CORPORATION for any infringements of intellectual property or other rights of the third parties which may result from its use. No license is granted by implication or otherwise under any intellectual property or other rights of TOSHIBA CORPORATION or others.
- The information contained herein is subject to change without notice.

MAXIMUM RATINGS

PARAMETER	SYMBOL	RATING	UNIT
Supply Voltage Range	V _{CC}	-0.5~7.0	V
DC Input Voltage	V _{IN}	-0.5~7.0	V
DC Output Voltage	V _{OUT}	-0.5~V _{CC} +0.5	V
Input Diode Current	I _{IK}	-20	mA
Output Diode Current	I _{OK}	±20	mA
DC Output Current	I _{OUT}	±25	mA
DC V _{CC} /Ground Current	I _{CC}	±50	mA
Power Dissipation	P _D	180	mW
Storage Temperature	T _{stg}	-65~150	°C

RECOMMENDED OPERATING CONDITIONS

PARAMETER	SYMBOL	RATING	UNIT
Supply Voltage	V _{CC}	2.0~3.6	V
Input Voltage	V _{IN}	0~5.5	V
Output Voltage	V _{OUT}	0~V _{CC}	V
Operating Temperature	T _{opr}	-40~85	°C

ELECTRICAL CHARACTERISTICS

DC characteristics

PARAMETER		SYM-BOL	TEST CONDITION	V _{CC} (V)	Ta = 25°C			Ta = -40~85°C		UNIT	
					MIN.	TYP.	MAX.	MIN.	MAX.		
Threshold Voltage	"H" Level	V _P		3.0	—	—	2.2	—	2.2	V	
	"L" Level	V _N		3.0	0.9	—	—	0.9	—		
Hysteresis Voltage		V _H		3.0	0.3	—	1.2	0.3	1.2	V	
Output Voltage	"H" Level	V _{OL}	V _{IN} = V _{IL}	I _{OH} = -50μA	2.0	1.9	2.0	—	1.9	—	V
				I _{OH} = -50μA	3.0	2.9	3.0	—	2.9	—	
				I _{OH} = -4mA	3.0	2.58	—	—	2.48	—	
	"L" Level	V _{OL}	V _{IN} = V _{IH}	I _{OL} = 50μA	2.0	—	0.0	0.1	—	0.1	
				I _{OL} = 50μA	3.0	—	0.0	0.1	—	0.1	
				I _{OL} = 4mA	3.0	—	—	0.36	—	0.44	
Input Leakage Current		I _{IN}	V _{IN} = 5.5V or GND	3.6	—	—	±0.1	—	±1.0	μA	
Quiescent Supply Current		I _{CC}	V _{IN} = V _{CC} or GND	3.6	—	—	2.0	—	20.0	μA	

AC characteristics (Input $t_r = t_f = 3\text{ns}$)

PARAMETER	SYM-BOL	TEST CONDITION			Ta = 25°C			Ta = -40~85°C		UNIT
			V _{CC} (V)	C _L (pF)	MIN.	TYP.	MAX.	MIN.	MAX.	
Propagation Delay Time	t _{pLH}		2.7	15	—	8.7	16.3	1.0	19.5	ns
				50	—	11.2	19.8	1.0	23.0	
	3.3 ± 0.3		15	—	6.8	10.6	1.0	12.5		
			50	—	9.3	14.1	1.0	16.0		
Output To Output Skew	t _{osLH}	(Note 1)	2.7	50	—	—	1.5	—	1.5	ns
	t _{osHL}		3.3 ± 0.3	50	—	—	1.5	—	1.5	
Input Capacitance	C _{IN}	(Note 2)			—	4	10	—	10	pF
Power Dissipation Capacitance	C _{PD}	(Note 3)			—	21	—	—	—	pF

(Note 1) Parameter guaranteed by design.

$$(t_{osLH} = |t_{pLHm} - t_{pLHn}|, t_{osHL} = |t_{pHLm} - t_{pHLn}|)$$

(Note 2) Parameter guaranteed by design.

(Note 3) C_{PD} is defined as the value of the internal equivalent capacitance which is calculated from the operating current consumption.

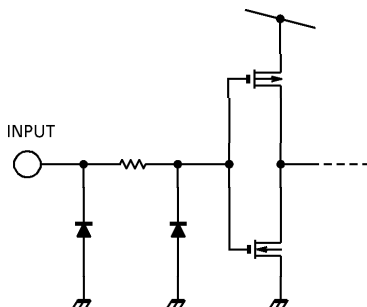
Average operating current can be obtained by the equation :

$$I_{CC}(\text{opr.}) = C_{PD} \cdot V_{CC} \cdot f_{IN} + I_{CC} / 6 \text{ (per gate)}$$

Noise characteristics (Ta = 25°C, Input $t_r = t_f = 3\text{ns}$, C_L = 50pF)

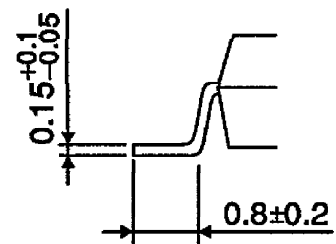
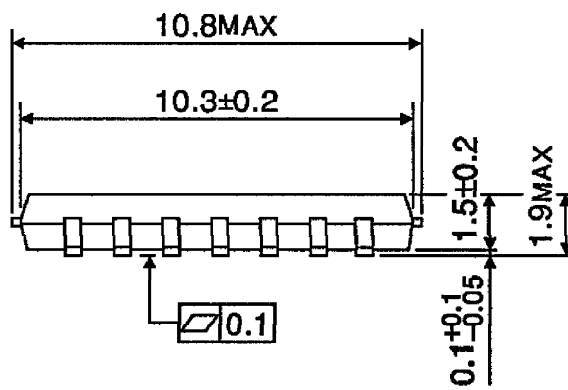
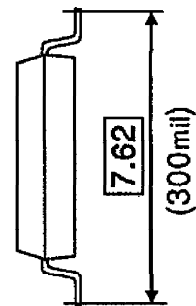
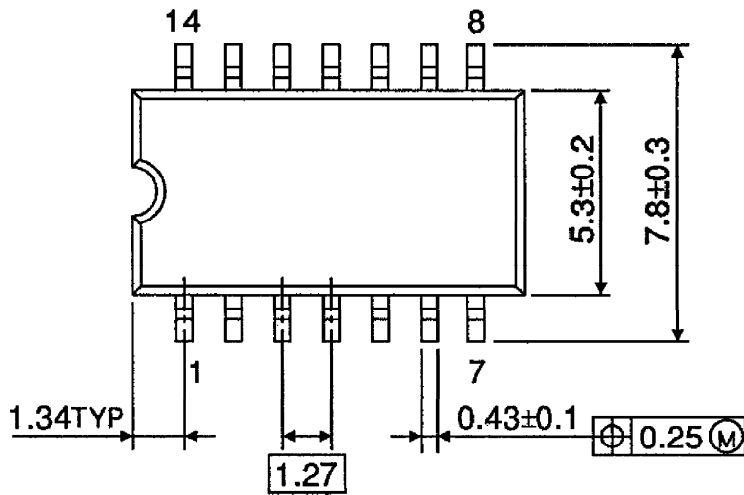
PARAMETER	SYMBOL	TEST CONDITION	V _{CC} (V)	TYP.	LIMIT	UNIT
Quiet Output Maximum Dynamic V _{OL}	V _{OLP}		3.3	0.3	0.5	V
Quiet Output Minimum Dynamic V _{OL}	V _{OLV}		3.3	-0.3	-0.5	V
Minimum High Level Dynamic Input Voltage	V _{IHD}		3.3	—	2.2	V
Maximum Low Level Dynamic Input Voltage	V _{I LD}		3.3	—	0.9	V

INPUT EQUIVALENT CIRCUIT



OUTLINE DRAWING
SOP14-P-300-1.27

Unit : mm

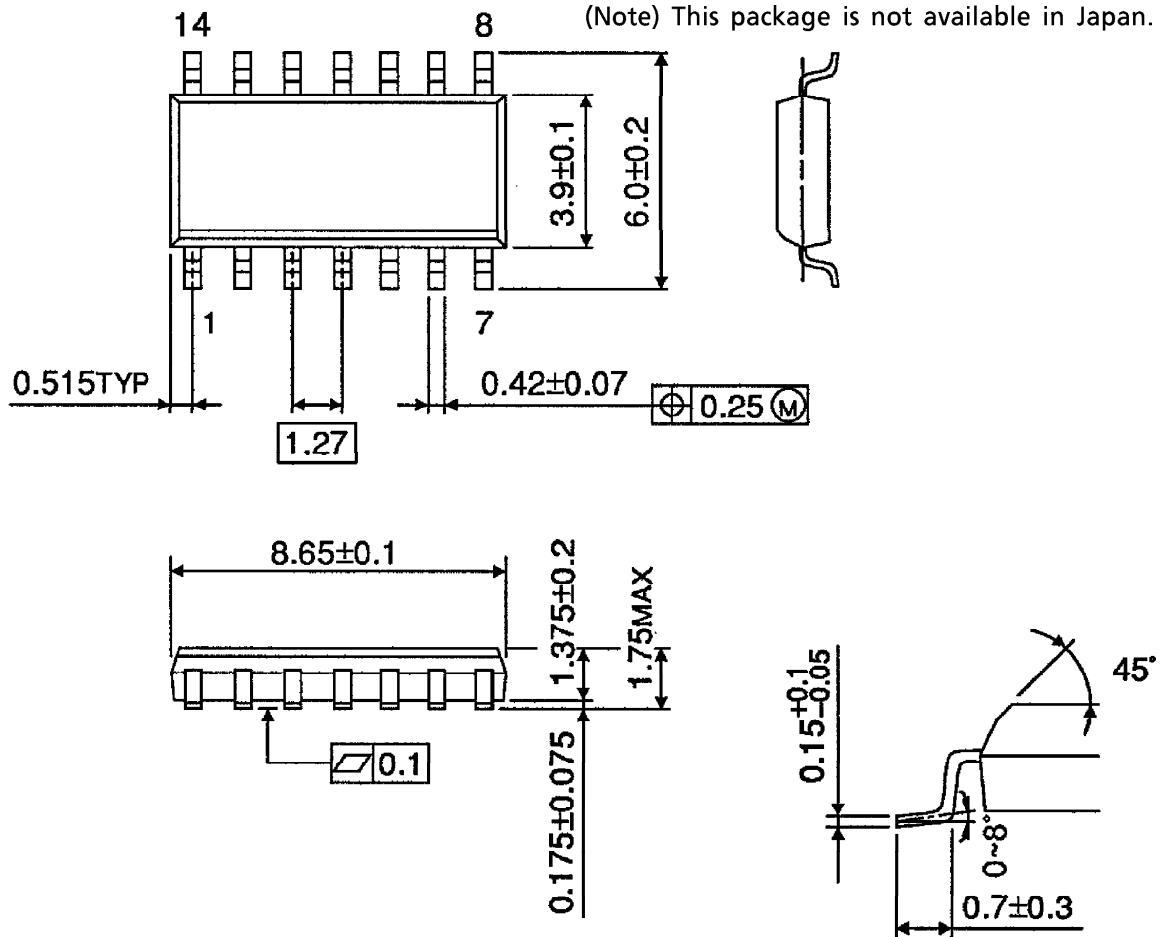


Weight : 0.18g (Typ.)

OUTLINE DRAWING
SOL14-P-150-1.27

Unit : mm

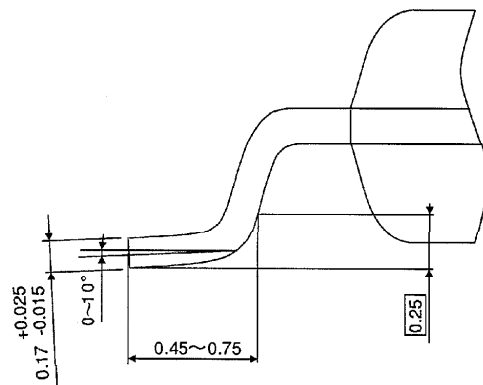
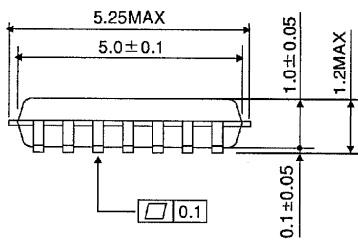
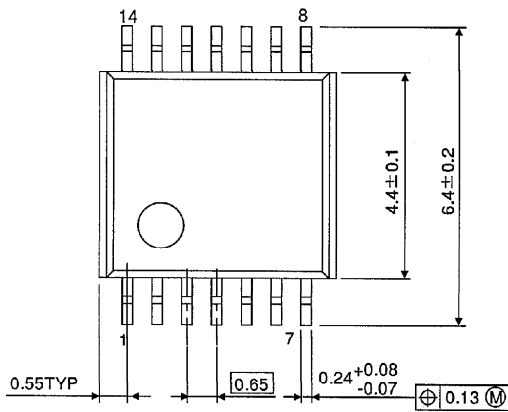
(Note) This package is not available in Japan.



Weight : 0.12g (Typ.)

OUTLINE DRAWING
TSSOP14-P-0044-0.65

Unit : mm



Weight : 0.06g (Typ.)