

# 74OL6000, 74OL6001, 74OL6010, 74OL6011 Optoplanar® High-Speed Logic-to-Logic Optocouplers

<b>LSTTL to TTL Buffer</b>	<b>74OL6000</b>
<b>TTL Inverter</b>	<b>74OL6001</b>
<b>CMOS Buffer</b>	<b>74OL6010</b>
<b>CMOS Inverter</b>	<b>74OL6011</b>

## Features

- Industry first LSTTL to TTL and LSTTL to CMOS complete logic-to-logic optocoupler
- Incorporates LED drive circuitry — use as a logic gate
- Very high speed
- Choice of buffer or inverter
- Choice of TTL or CMOS compatible output up to 15 volts
- Fan-out of 10 TTL loads, fan-in 1 LSTTL load
- Internal noise shield — very high CMR of  $\pm 15\text{kV}/\mu\text{S}$
- UL recognized (File #E90700)
- Same noise immunity as LSTTL/TTL.

## Applications

- Transmission line interface — receiver and driver
- Excellent as bridged receiver in fast LAN highways
- Bus interface
- Logic family interface with ground loop noise elimination
- High speed AC/DC voltage sensing
- Driver for power semiconductor devices
- Level shifting
- Replaces fast pulse transformers

## Description

OPTOLOGIC™ is the first family of truly logic compatible optically coupled logic interface gates.

The family consists of four device types offering LSTTL to TTL and LSTTL to CMOS interfacing. Each of these interfacing functions is available as a buffer ( $A = B$ ), or as an inverter ( $A = \bar{B}$ ).

The LSTTL input compatibility is provided by an input integrated circuit, with industry standard logic levels. This input amplifier IC switches a temperature compensated current source driving a high speed 850nm AlGaAs LED emitter. This novel integration scheme eliminates CTR degradation over time and temperature.

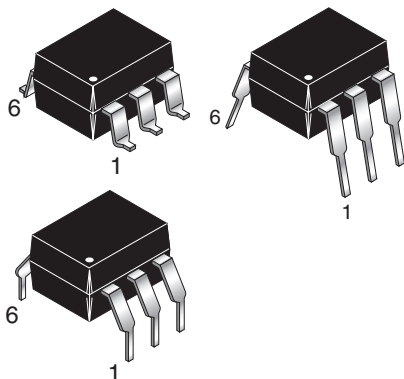
The emitter is optically coupled to an integrated photodetector/high-gain, high-speed output amplifier IC. The superior  $15\text{kV}/\mu\text{S}$  common-mode noise rejection is ensured through the use of an optically transparent noise shield.

The TTL compatible output has a totem-pole with a fan-out of 10. The CMOS compatible output has an open collector Schottky-clamped transistor that interfaces to any CMOS logic between 4.5 and 15 volts. The 74OL6010/11 may also be used to drive power MOSFETs or transistors up to 15 volts.

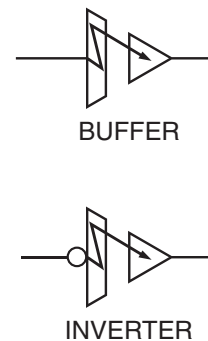
The Optologic coupler family typically offers propagation of delays of 60 ns and can support 15 MBaud data communication.

The two input chips and the output chip are assembled in a 6-pin DIP high insulation voltage plastic package. Fairchild's proprietary OPTOPLANAR® construction provides a withstand test voltage of 5300 VRMS (1 minute).

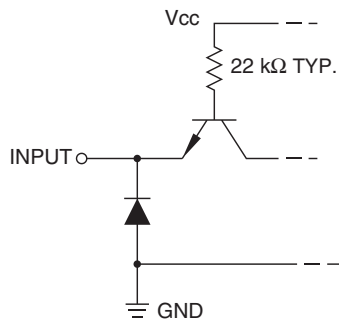
## Package



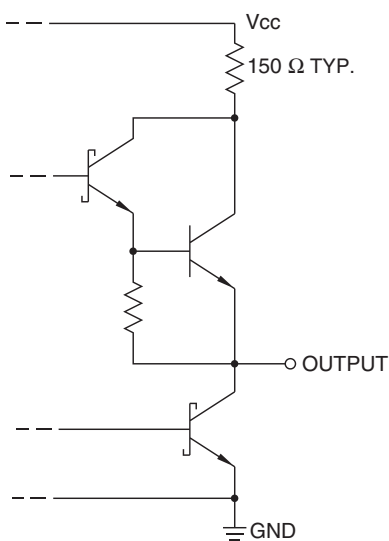
## Symbol



### Circuit Diagrams

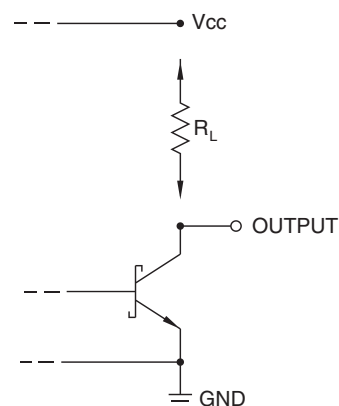


All Inputs



TTL OUTPUT CIRCUIT

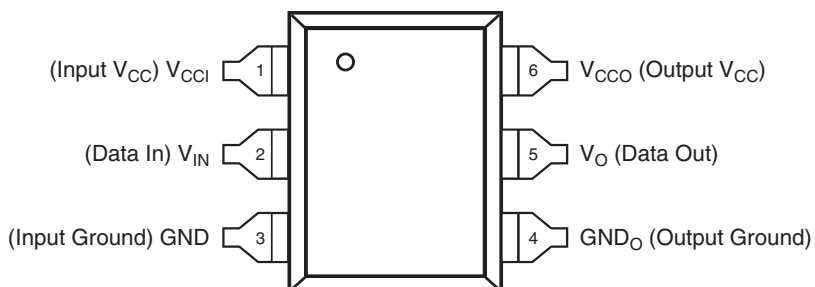
74OL6000/01 Output



CMOS OUTPUT CIRCUIT

74OL6010/11 Output

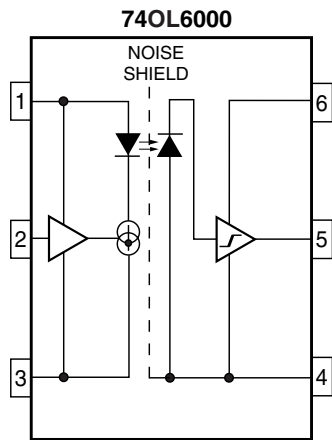
### Pin Configuration



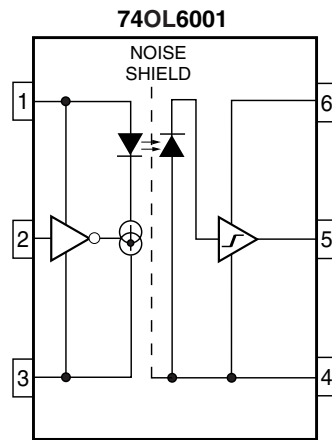
### Device Configuration

Part Number	Logic Compatibility		Logic Function	Output Configuration
	Input	Output		
74OL6000	LSTTL	TTL	Buffer	Totem Pole
74OL6001	LSTTL	TTL	Inverter	Totem Pole
74OL6010	LSTTL	CMOS	Buffer	Open Collector
74OL6011	LSTTL	CMOS	Inverter	Open Collector

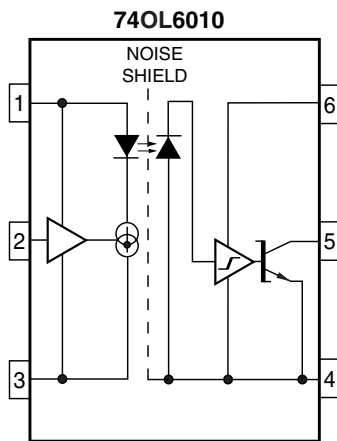
## Schematics



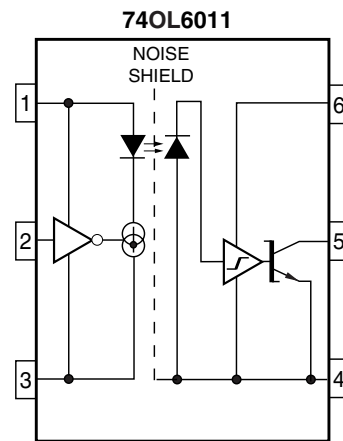
**LSTLL to TTL Buffer**



**LSTLL to TTL Inverter**



**LSTLL to CMOS Buffer**



**LSTLL to CMOS Inverter**

**Absolute Maximum Ratings** ( $T_A = 25^\circ\text{C}$  unless otherwise specified)

Stresses exceeding the absolute maximum ratings may damage the device. The device may not function or be operable above the recommended operating conditions and stressing the parts to these levels is not recommended. In addition, extended exposure to stresses above the recommended operating conditions may affect device reliability. The absolute maximum ratings are stress ratings only.

Symbol	Parameter	Device	Value	Units
<b>TOTAL DEVICE</b>				
$T_{STG}$	Storage Temperature	All	-55 to +125	$^\circ\text{C}$
$T_{OPR}$	Operating Temperature	All	0 to +70	$^\circ\text{C}$
$T_{SOL}$	Lead Solder Temperature	All	260 for 10 sec	$^\circ\text{C}$
$P_D$	Power Dissipation	All	350	mW
<b>EMITTER</b>				
$V_{CCI}$	Input Supply Voltage	All	7	V
$V_{IN}$	Input Voltage	All	7	V
<b>DETECTOR</b>				
$I_{O(avg)}$	Average Output Current	All	40	mA
$V_{CCO}$	Output Supply Voltage	74OL6000/01	7	V
		74OL6010/11	18	
$V_O$	Output Voltage	74OL6000/01	7	V
		74OL6010/11	18	

**Electrical Characteristics** ( $T_A = 0^\circ\text{C}$  to  $70^\circ\text{C}$  unless otherwise specified)

Symbol	Parameter	Test Conditions	Min.	Typ.	Max.	Units	Fig.
$CM_H$	Common Mode Transient Immunity at Logic High Level Output	$V_{CCI} = 5\text{V}$ , $V_{CCO} = 5\text{V}$ , $V_{CM} = 50\text{Vp-p}$	5000	15000		V/ $\mu\text{S}$	16, 19
$CM_L$	Common Mode Transient Immunity at Logic Low Level Output	$V_{CCI} = 5\text{V}$ , $V_{CCO} = 5\text{V}$ , $V_{CM} = 50\text{Vp-p}$	-5000	-15000		V/ $\mu\text{S}$	16, 19
$C_{CM}$	Common Mode Coupling Capacitance			0.005		pF	
$C_{I-O}$	Capacitance (input-output) <sup>(1)</sup>	$V_{I-O} = 0$ , $f = 1\text{MHz}$		0.7		pF	
$V_{ISO}$	Withstand Insulation Test Voltage <sup>(1)</sup>	$T_A = 25^\circ\text{C}$ , $t = 1\text{min}$ , $I_{I-O} \leq 2\text{mA}$	5300			VRMS	
$R_{ISO}$	Insulation Resistance <sup>(1)</sup>	$V_{I-O} = 500\text{VDC}$		$10^{11}$		$\Omega$	

**Note:**

1. Device considered a two-terminal device. Pins 1, 2 and 3 shorted together, and Pins 4, 5 and 6 shorted together.

**Electrical Characteristics** ( $T_A = 0^\circ\text{C}$  to  $70^\circ\text{C}$  unless otherwise specified)**TTL Output 74OL6000, 74OL6001<sup>(2)</sup>**

Symbol	Parameter	Test Conditions			Min.	Typ.*	Max.	Units
		74OL6000	74OL6001	74OL6000/01				
$V_{CCI}$	Input Supply Voltage				4.5	5.0	5.5	V
$V_{CCO}$	Output Supply Voltage				4.5	5.0	5.5	V
$V_{IH}$	High-Level Input Voltage				2.0			V
$V_{IL}$	Low-Level Input Voltage						0.8	V
$V_{IK}$	Input Clamp Voltage			$V_{CCI} = 4.5\text{V}, I_I = -18\text{mA}$			-1.2	V
$I_{IH}$	High-Level Input Current			$V_{CCI} = 5.5\text{V}, V_{IH} = 4.5\text{V}$		1.0	40.0	$\mu\text{A}$
$I_{IL}$	Low-Level Input Current			$V_{CCI} = 5.5\text{V}, V_{IL} = 0.4\text{V}$		-200.0	-400.0	$\mu\text{A}$
$I_{CCIH}$	Input Supply Current (HIGH)			$V_{CCI} = 5.5\text{V}, V_{IN} = V_{IH}$		10.0	14.0	mA
$I_{CCIL}$	Input Supply Current (LOW)			$V_{CCI} = 5.5\text{V}, V_{IN} = V_{IL}$		10.0	14.0	mA
$V_{OH}$	High-Level Output Voltage	$V_{IN} = 2.0\text{V}$	$V_{IN} = 0.8\text{V}$	$V_{CCI} = 4.5\text{V}, V_{CCO} = 4.5\text{V}, I_{OH} = -400\mu\text{A}$	2.4	3.0		V
$V_{OL}$	Low-Level Output Voltage	$V_{IN} = 0.8\text{V}$	$V_{IN} = 2.0\text{V}$	$V_{CCI} = 4.5\text{V}, V_{CCO} = 4.5\text{V}, I_{OL} = 16\text{mA}$		0.3	0.6	V
				$V_{CCI} = 4.5\text{V}, V_{CCO} = 4.5\text{V}, I_{OL} = 4\text{mA}$			0.5	
$I_{OH}$	High-Level Output Current	$V_{IN} = V_{IH}$	$V_{IN} = V_{IL}$	$V_{CCI} = 4.5\text{V}, V_{CCO} = 4.5\text{V}, V_{OH} = 2.4\text{V}$		-8.0	-10.0	mA
$I_{OL}$	Low-Level Output Current	$V_{IN} = 0.8\text{V}$	$V_{IN} = 2.0\text{V}$	$V_{CCI} = 4.5\text{V}, V_{CCO} = 4.5\text{V}, V_{OL} = 0.6\text{V}$	16.0			mA
$I_{OS}$	Short-Circuit Output Current	$V_{IN} = V_{IH}$	$V_{IN} = V_{IL}$	$V_{CCI} = 5.5\text{V}, V_{CCO} = 5.5\text{V}$	-5.0	-25.0	-40.0	mA
$I_{CCOH}$	Output Supply Current (HIGH)	$V_{IN} = V_{IH}$	$V_{IN} = V_{IL}$	$V_{CCI} = 5.5\text{V}, V_O = V_{OH}, V_{CCO} = 5.5\text{V}$		9.0	15.0	mA
$I_{CCOL}$	Output Supply Current (LOW)	$V_{IN} = V_{IL}$	$V_{IN} = V_{IH}$	$V_{CCI} = 5.5\text{V}, V_O = V_{OL}, V_{CCO} = 5.5\text{V}$		8.0	12.0	mA

\*All typical values are at  $T_A = 25^\circ\text{C}$

**Switching Characteristics** ( $T_A = 25^\circ\text{C}$  unless otherwise specified)**TTL Output 74OL6000, 74OL6001<sup>(2)</sup>**

Symbol	Parameter	Test Conditions	Min.	Typ.	Max.	Units	Fig.	
$t_{PHL}$	Propagation Delay Time For Output Low Level	$V_{CCI} = 5\text{V}, V_{CCO} = 5\text{V}$		60	100	ns	15, 17	
$t_{PLH}$	Propagation Delay Time For Output High Level			70	100	ns	15, 17	
$t_r$	Output Rise Time For Output High Level				45		ns	15, 17
$t_f$	Output Fall Time For Output Low Level				5		ns	15, 17

**Note:**

- The  $V_{CCO}$  and  $V_{CCI}$  supply voltages to the device must each be bypassed by a  $0.1\mu\text{F}$  capacitor or larger. This can be either a ceramic or solid tantalum capacitor with good high frequency characteristics. Its purpose is to stabilize the operation of the high-gain amplifiers. Failure to provide the bypass will impair the DC and switching properties. The total lead length between capacitor and optocoupler should not exceed 1.5mm. See Fig. 20.

**Electrical Characteristics** ( $T_A = 0^\circ\text{C}$  to  $70^\circ\text{C}$  Unless otherwise specified)**CMOS Output 74OL6010 and 74OL6011<sup>(3)</sup>**

Symbol	Parameter	Test Conditions			Min.	Typ.*	Max.	Units
		74OL6010	74OL6011	74OL6010/11				
$V_{CCI}$	Input Supply Voltage				4.5	5.0	5.5	V
$V_{CCO}$	Output Supply Voltage <sup>(4)</sup>				4.5		15.0	V
$V_{IH}$	High-Level Input Voltage				2.0			V
$V_{IL}$	Low-Level Input Voltage						0.8	V
$V_{IK}$	Input Clamp Voltage			$V_{CCI} = 4.5\text{V}, I_I = -18\text{mA}$			-1.2	V
$I_{IH}$	High-Level Input Current			$V_{CCI} = 5.5\text{V}, V_{IH} = 4.5\text{V}$		1.0	40.0	$\mu\text{A}$
$I_{IL}$	Low-Level Input Current			$V_{CCI} = 5.5\text{V}, V_{IL} = -0.4\text{V}$		-200.0	-400.0	$\mu\text{A}$
$I_{CCIH}$	Input Supply Current (HIGH)			$V_{CCI} = 5.5\text{V}, V_{IN} = V_{IH}$		10.0	14.0	mA
$I_{CCIL}$	Input Supply Current (LOW)			$V_{CCI} = 5.5\text{V}, V_{IN} = V_{IL}$		10.0	14.0	mA
$V_{OL}$	Low-Level Output Voltage	$V_{IN} = 0.8\text{V}$	$V_{IN} = 2.0\text{V}$	$V_{CCI} = 4.5\text{V}, V_{CCO} = 4.5\text{V}, I_{OL} = 16\text{mA}$		0.4	0.6	V
				$V_{CCI} = 4.5\text{V}, V_{CCO} = 4.5\text{V}, I_{OL} = 4\text{mA}$			0.5	
$I_{OH}$	High-Level Output Current	$V_{IN} = V_{IH}$	$V_{IN} = V_{IL}$	$V_{CCI} = 4.5\text{V}, V_{OH} = 15\text{V}, V_{CCO} = 4.5\text{--}15\text{V}$		1.0	100.0	$\mu\text{A}$
$I_{OL}$	Low-Level Output Current	$V_{IN} = 0.8\text{V}$	$V_{IN} = 2.0\text{V}$	$V_{CCI} = 4.5\text{V}, V_{OL} = 0.6\text{V}, V_{CCO} = 4.5\text{--}15\text{V}$	16.0			mA
$I_{CCOH}$	Output Supply Current (HIGH)	$V_{IN} = V_{IH}$	$V_{IN} = V_{IL}$	$V_{CCI} = 5.5\text{V}, V_O = V_{OH}, V_{CCO} = 4.5\text{V}$		9.0	12.0	mA
				$V_{CCI} = 5.5\text{V}, V_O = V_{OL}, V_{CCO} = 15\text{V}$		11.0	18.0	
$I_{CCOL}$	Output Supply Current (LOW)	$V_{IN} = V_{IL}$	$V_{IN} = V_{IH}$	$V_{CCI} = 5.5\text{V}, V_O = V_{OL}, V_{CCO} = 4.5\text{V}$		8.0	12.0	mA
				$V_{CCI} = 5.5\text{V}, V_O = V_{OL}, V_{CCO} = 15\text{V}$		11.0	18.0	

\*All typical values are at  $T_A = 25^\circ\text{C}$

**Switching Characteristics** ( $T_A = 25^\circ\text{C}$  Unless otherwise specified)**TTL Output 74OL6010 and 74OL6011<sup>(3)</sup>**

Symbol	Parameter	Test Conditions	Min.	Typ.	Max.	Units	Fig.	
$t_{PHL}$	Propagation Delay Time For Output Low Level	$V_{CCI} = 5\text{V}, V_{CCO} = 5\text{V}, R_L = 470\Omega$		60	120	ns	15, 18	
$t_{PLH}$	Propagation Delay Time For Output High Level			100	180	ns	15, 18	
$t_r$	Output Rise Time For Output High Level				50		ns	15, 18
$t_f$	Output Fall Time For Output Low Level				5		ns	15, 18

**Notes:**

- The  $V_{CCO}$  and  $V_{CCI}$  supply voltages to the device must each be bypassed by a  $0.1\mu\text{F}$  capacitor or larger. This can be either a ceramic or solid tantalum capacitor with good high frequency characteristics. Its purpose is to stabilize the operation of the high-gain amplifiers. Failure to provide the bypass will impair the DC and switching properties. The total lead length between capacitor and optocoupler should not exceed 1.5mm. See Fig. 20.
- For example, assuming a  $V_{CCI}$  of 5.0V, and an ambient temperature of  $70^\circ\text{C}$ , the maximum allowable  $V_{CCO}$  is 12.1V.

## Typical Performance Curves

Figure 1. Input Current vs. Ambient Temperature

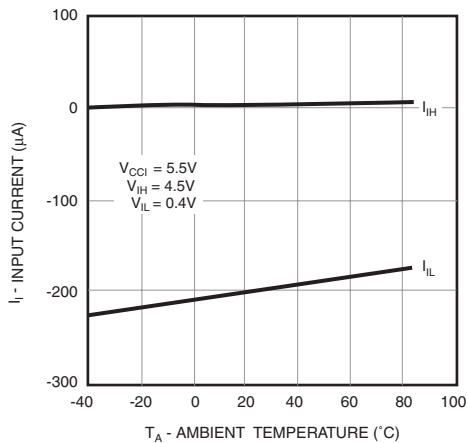


Figure 2. Input Supply Current vs. Ambient Temperature

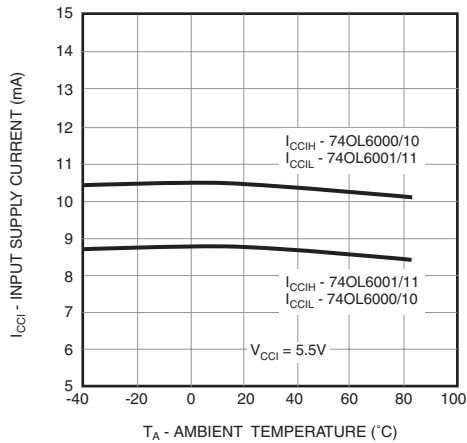


Figure 3. Output Supply Current vs. Ambient Temperature

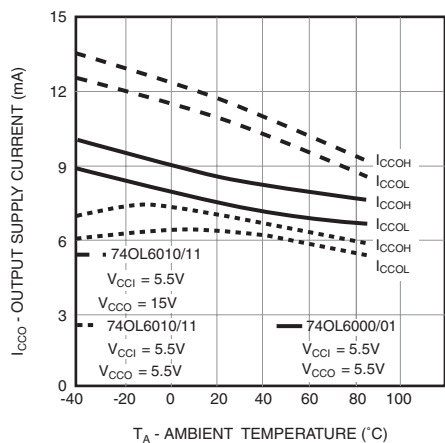


Figure 4. Output Current vs. Ambient Temperature

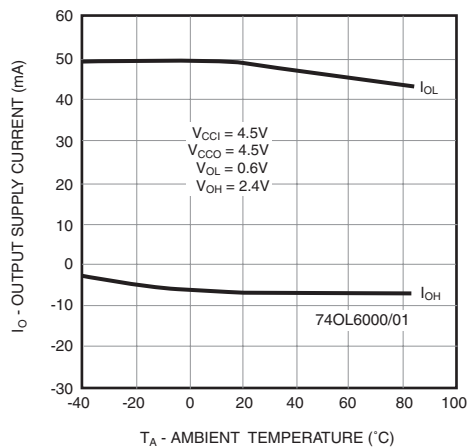


Figure 5. High-Level Output Voltage vs. Ambient Temperature

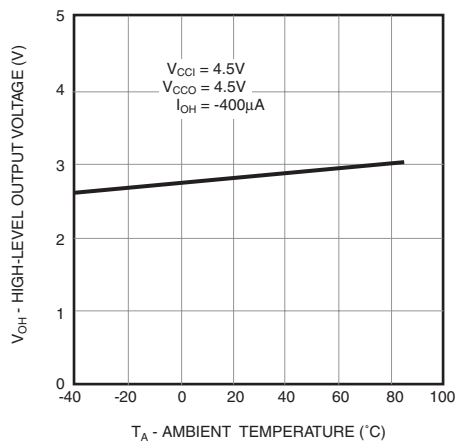
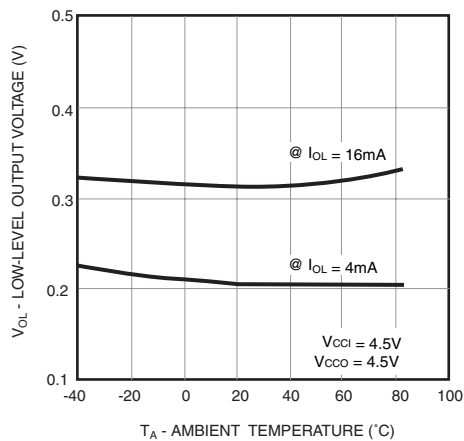
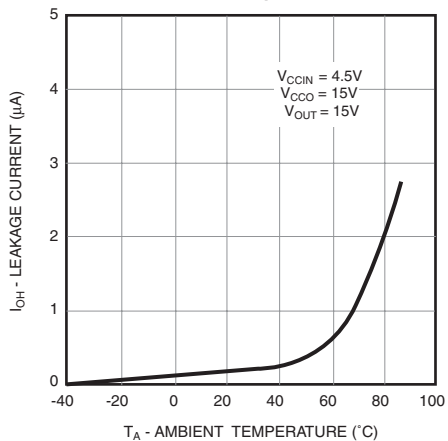


Figure 6. Low-Level Output Voltage vs. Ambient Temperature

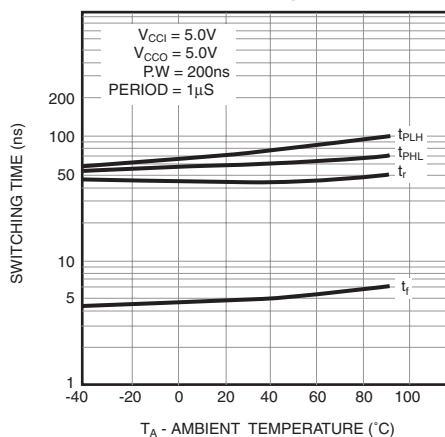


## Typical Performance Curves (Continued)

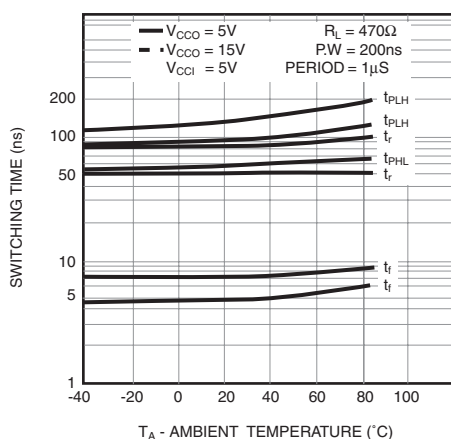
**Figure 7. 74OL6010/11 Leakage Current vs. Ambient Temperature**



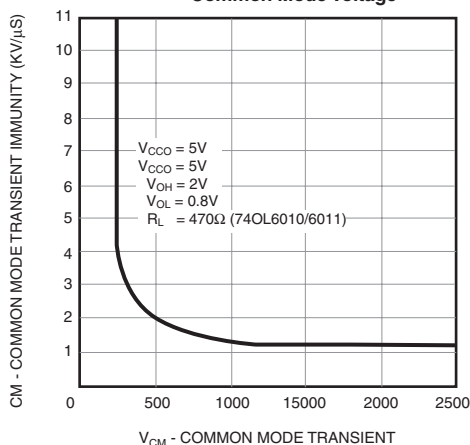
**Figure 8. 74OL6000/01 Switching Times vs. Ambient Temperature**



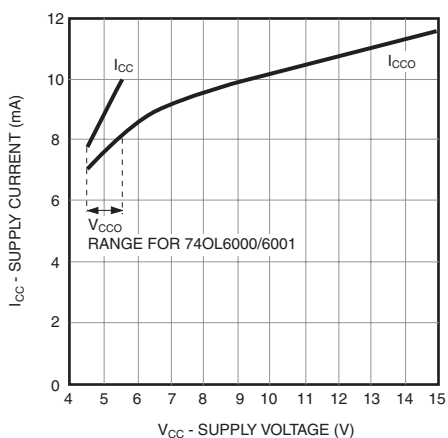
**Figure 9. 74OL6010/11 Switching Times vs. Ambient Temperature**



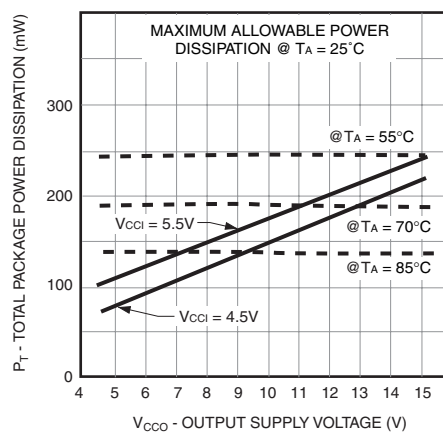
**Figure 10. Common Mode Rejection vs. Common Mode Voltage**



**Figure 11. Supply Current vs. Supply Voltage**



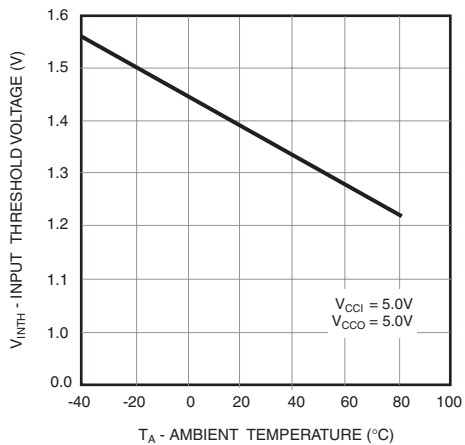
**Figure 12. Power Dissipation vs. Ambient Temperature**



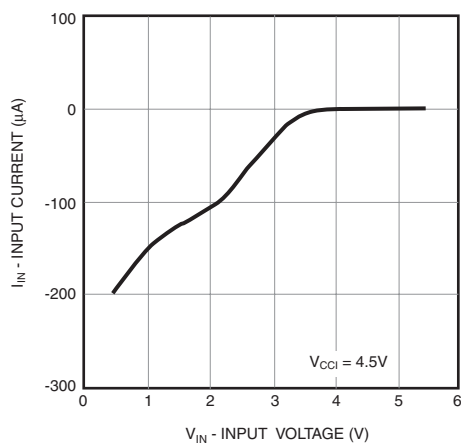


## Typical Performance Curves (Continued)

**Figure 13. Input Threshold Voltage vs. Ambient Temperature**

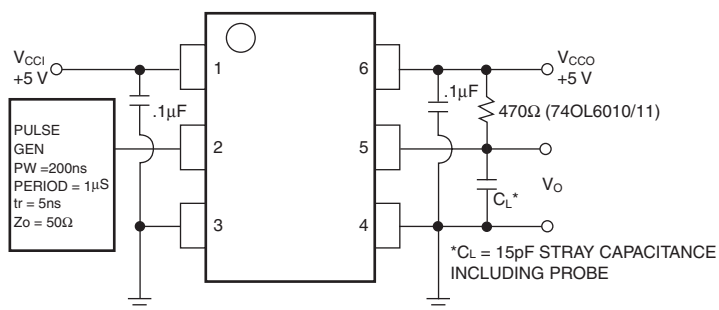


**Figure 14. Input Current vs. Input Voltage**

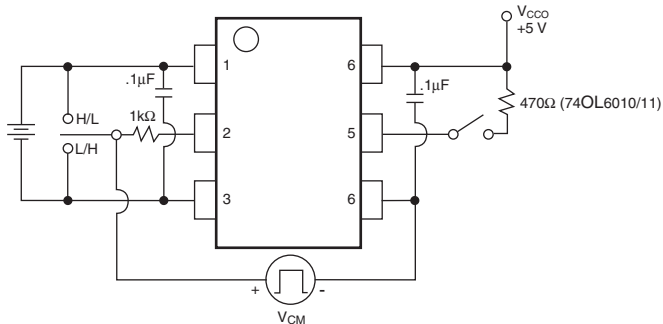


## Test Circuits

**Figure 15. Switching Time Test Circuit**



**Figure 16. Common Mode Rejection Test Circuit**



## Switching and Rejection Waveforms

Figure 17. 74OL6000/01 Switching Times vs. Ambient Temperature

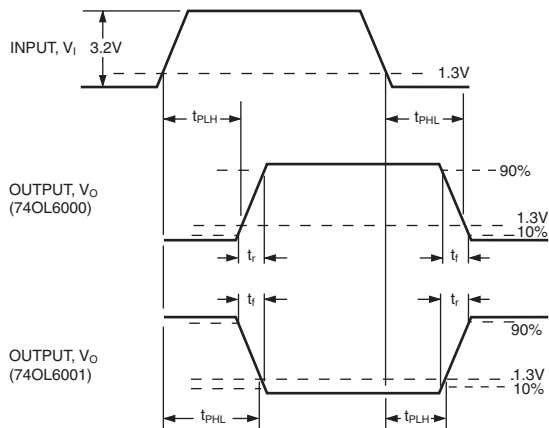


Figure 18. Switching Parameters 74OL6010/11

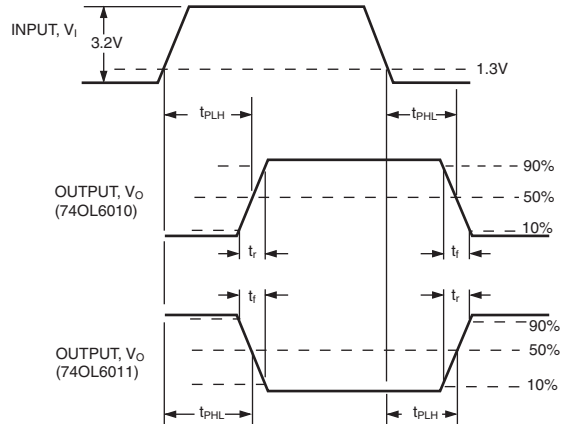
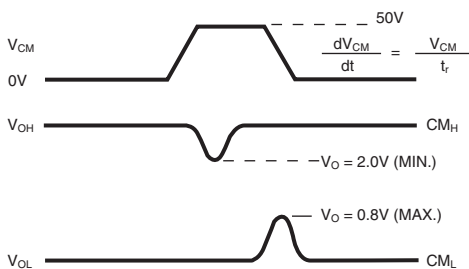
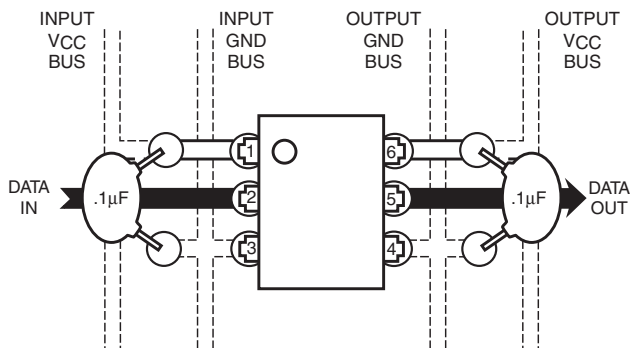


Figure 19. Common Mode Rejection Waveforms



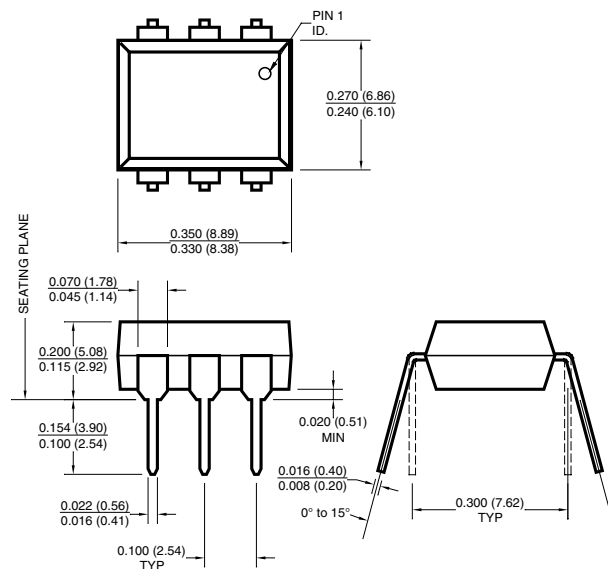
## PCB Layout

Figure 20. Suggested PCB Layout

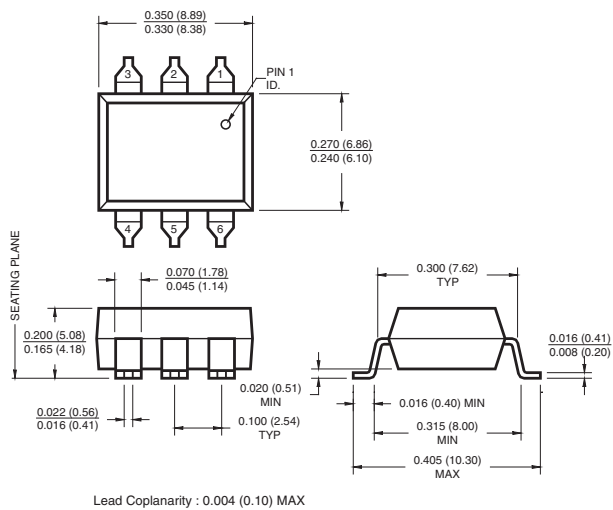


## Package Dimensions

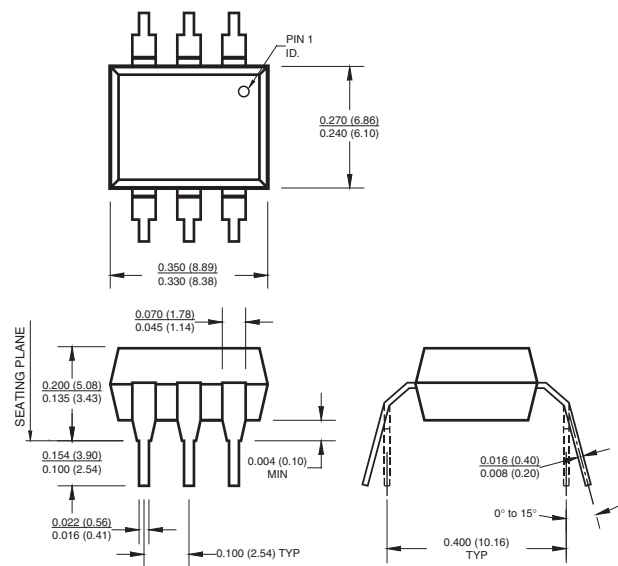
### Through Hole



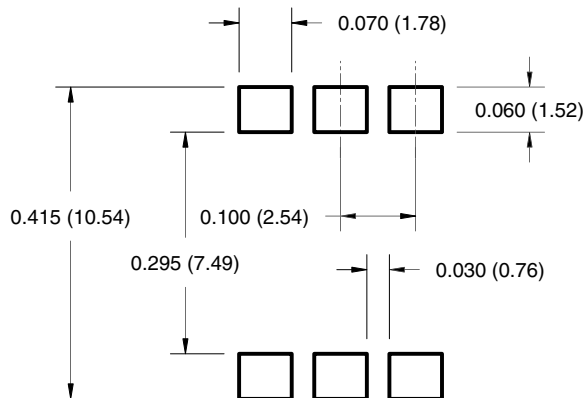
### Surface Mount



### 0.4" Lead Spacing



### Recommended Pad Layout for Surface Mount Leadform



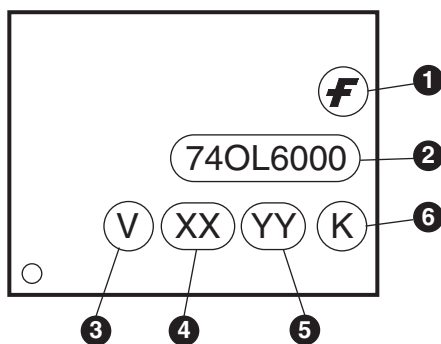
#### Note:

All dimensions are in inches (millimeters).

### Ordering Information

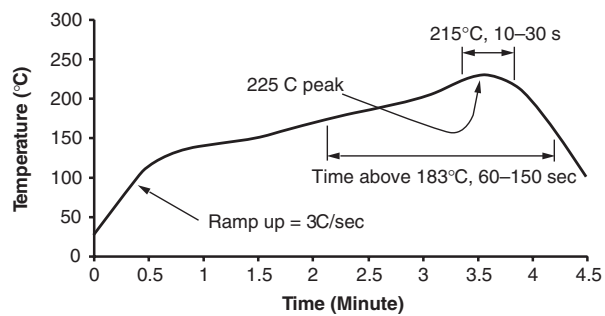
Option	Order Entry Identifier	Description
S	.S	Surface Mount Lead Bend
SD	.SD	Surface Mount; Tape and Reel
W	.W	0.4" Lead Spacing
300	.300	VDE 0884
300W	.300W	VDE 0884, 0.4" Lead Spacing
3S	.3S	VDE 0884, Surface Mount
3SD	.3SD	VDE 0884, Surface Mount, Tape and Reel

### Marking Information



Definitions	
1	Fairchild logo
2	Device number
3	VDE mark (Note: Only appears on parts ordered with VDE option – See order entry table)
4	Two digit year code, e.g., '03'
5	Two digit work week ranging from '01' to '53'
6	Assembly package code

### Reflow Profile



- Peak reflow temperature: 225°C (package surface temperature)
- Time of temperature higher than 183°C for 60-150 seconds
- One time soldering reflow is recommended

## Application

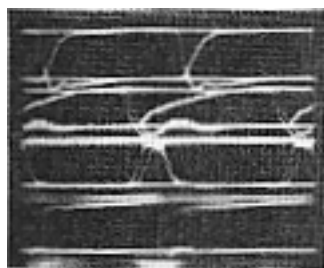
Local area data communication systems can greatly improve their noise immunity by including OPOTOLOGIC gates in the design.

The Optologic input amplifier offers the feature of very high input impedance that permits their use as bridged line receivers. The system show above illustrates an optically isolated transmitter and multidrop receiver system. The network uses a 74OL6000 and buffer (Figure D) to isolate the transmitter and drive the 75Ω coax cable. This application uses a 1000 ft. aerial suspension 75Ω CATV coax cable with data taps at 250 ft. intervals. The 74OL6001s function as bridged receivers, and as many as 30 receivers could be placed along the line with minimal signal degradation. The communication cable is terminated with a single 75Ω load at the far end of the line.

Signal quality "Eye Pattern" is shown in Figures A, B and C with a 10MBaud NRZ Psuedo-Random Sequence (PRSG). Traces 1-3 in Figure A describes the transmitter section. Traces 4-7 in Figure B show the output of the four Optologic bridged terminations. Traces 8-11 in Figure C illustrate "Eye Pattern" as seen at the output of a 74LS04 logic gate. The data quality is well preserved in that only a 30% Eye closure is seen at the receiver located 1000 ft. from the transmitter.

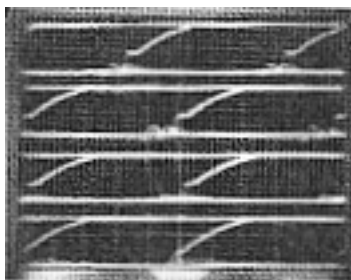
The data communication system is completely optically isolated from all of the terminal equipments. Power for the transmitter ( $V_{CCO}$ ) and receiver ( $V_{CCI}$ ) is taken from an isolated power supply and distributed through a drain or messenger wire.

**Figure A**



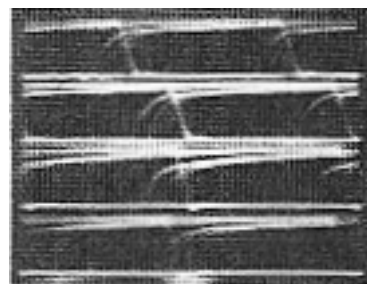
HORIZONTAL = 20ns/DIV 42-11  
VERTICAL = 2V/DIV

**Figure B**

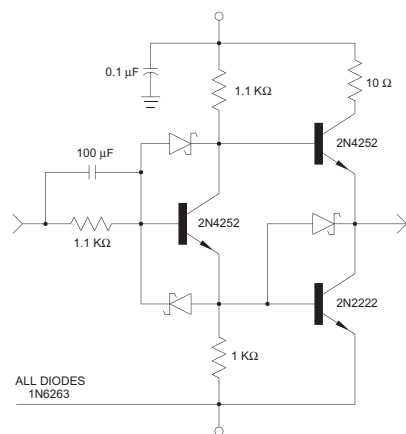


HORIZONTAL = 20ns/DIV 42-12, 02  
VERTICAL = 2V/DIV

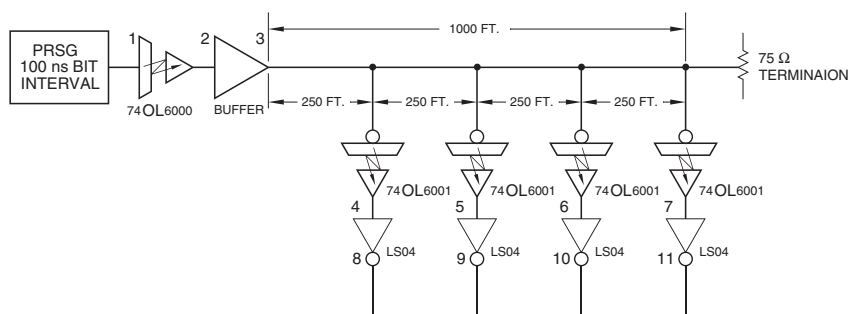
**Figure C**



HORIZONTAL = 20ns/DIV 42-13/03  
VERTICAL = 2V/DIV



**Figure D Buffer**





## TRADEMARKS

The following are registered and unregistered trademarks and service marks Fairchild Semiconductor owns or is authorized to use and is not intended to be an exhaustive list of all such trademarks.

ACEx®	Green FPS™	Power247®	SuperSOT™-8
Build it Now™	Green FPS™ e-Series™	POWEREDGE®	SyncFET™
CorePLUS™	GTO™	Power-SPM™	The Power Franchise®
CROSSVOLT™	<i>i-Lo</i> ™	PowerTrench®	the power®
CTL™	IntelliMAX™	Programmable Active Droop™	franchise
Current Transfer Logic™	ISOPLANAR™	QFET®	TinyBoost™
EcoSPARK®	MegaBuck™	QS™	TinyBuck™
<b>F</b> ®	MICROCOUPLER™	QT Optoelectronics™	TinyLogic®
Fairchild®	MicroFET™	Quiet Series™	TINYOPTO™
Fairchild Semiconductor®	MicroPak™	RapidConfigure™	TinyPower™
FACT Quiet Series™	MillerDrive™	SMART START™	TinyPWM™
FACT®	Motion-SPM™	SPM®	TinyWire™
FAST®	OPTOLOGIC®	STEALTH™	SerDes™
FastvCore™	OPTOPLANAR®	SuperFET™	UHC®
FPS™	®	SuperSOT™-3	UniFET™
FRFET®	PDP-SPM™	SuperSOT™-6	VCX™
Global Power Resource™	Power220®		

## DISCLAIMER

FAIRCHILD SEMICONDUCTOR RESERVES THE RIGHT TO MAKE CHANGES WITHOUT FURTHER NOTICE TO ANY PRODUCTS HEREIN TO IMPROVE RELIABILITY, FUNCTION, OR DESIGN. FAIRCHILD DOES NOT ASSUME ANY LIABILITY ARISING OUT OF THE APPLICATION OR USE OF ANY PRODUCT OR CIRCUIT DESCRIBED HEREIN; NEITHER DOES IT CONVEY ANY LICENSE UNDER ITS PATENT RIGHTS, NOR THE RIGHTS OF OTHERS. THESE SPECIFICATIONS DO NOT EXPAND THE TERMS OF FAIRCHILD'S WORLDWIDE TERMS AND CONDITIONS, SPECIFICALLY THE WARRANTY THEREIN, WHICH COVERS THESE PRODUCTS.

## LIFE SUPPORT POLICY

FAIRCHILD'S PRODUCTS ARE NOT AUTHORIZED FOR USE AS CRITICAL COMPONENTS IN LIFE SUPPORT DEVICES OR SYSTEMS WITHOUT THE EXPRESS WRITTEN APPROVAL OF FAIRCHILD SEMICONDUCTOR CORPORATION.

As used herein:

1. Life support devices or systems are devices or systems which, (a) are intended for surgical implant into the body or (b) support or sustain life, and (c) whose failure to perform when properly used in accordance with instructions for use provided in the labeling, can be reasonably expected to result in a significant injury of the user.
2. A critical component in any component of a life support, device, or system whose failure to perform can be reasonably expected to cause the failure of the life support device or system, or to affect its safety or effectiveness.

## PRODUCT STATUS DEFINITIONS

### Definition of Terms

Datasheet Identification	Product Status	Definition
Advance Information	Formative or In Design	This datasheet contains the design specifications for product development. Specifications may change in any manner without notice.
Preliminary	First Production	This datasheet contains preliminary data; supplementary data will be published at a later date. Fairchild Semiconductor reserves the right to make changes at any time without notice to improve design.
No Identification Needed	Full Production	This datasheet contains final specifications. Fairchild Semiconductor reserves the right to make changes at any time without notice to improve design.
Obsolete	Not In Production	This datasheet contains specifications on a product that has been discontinued by Fairchild Semiconductor. The datasheet is printed for reference information only.

Rev. I31