

# 74VCX08

## Low Voltage Quad 2-Input AND Gate with 3.6V Tolerant Inputs and Outputs

### Features

- 1.2V to 3.6V  $V_{CC}$  supply operation
- 3.6V tolerant inputs and outputs
- $t_{PD}$ :
  - 2.8ns max. for 3.0V to 3.6V  $V_{CC}$
- Power-off high impedance inputs and outputs
- Static Drive ( $I_{OH}/I_{OL}$ )
  - $\pm 24mA$  @ 3.0V  $V_{CC}$
- Uses proprietary Quiet Series™ noise/EMI reduction circuitry
- Latchup performance exceeds 300mA
- ESD performance:
  - Human body model > 2000V
  - Machine model > 250V
- Leadless DQFN package

### General Description

The VCX08 contains four 2-input AND gates. This product is designed for low voltage (1.2V to 3.6V)  $V_{CC}$  applications with I/O compatibility up to 3.6V.

The VCX08 is fabricated with an advanced CMOS technology to achieve high-speed operation while maintaining low CMOS power dissipation.


### Ordering Information

Order Number	Package Number	Package Description
74VCX08M	M14A	14-Lead Small Outline Integrated Circuit (SOIC), JEDEC MS-012, 0.150" Narrow
74VCX08BQX <sup>(1)</sup>	MLP14A	14-Terminal Depopulated Quad Very-Thin Flat Pack No Leads (DQFN), JEDEC MO-241, 2.5 x 3.0mm
74VCX08MTC	MTC14	14-Lead Thin Shrink Small Outline Package (TSSOP), JEDEC MO-153, 4.4mm Wide

#### Note:

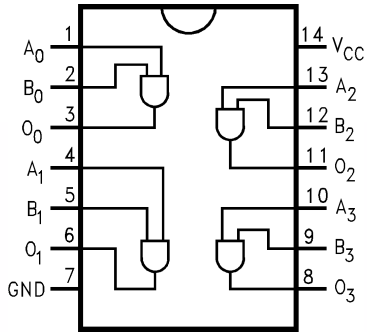
1. DQFN package available in Tape and Reel only.

Device also available in Tape and Reel. Specify by appending suffix letter "X" to the ordering number.

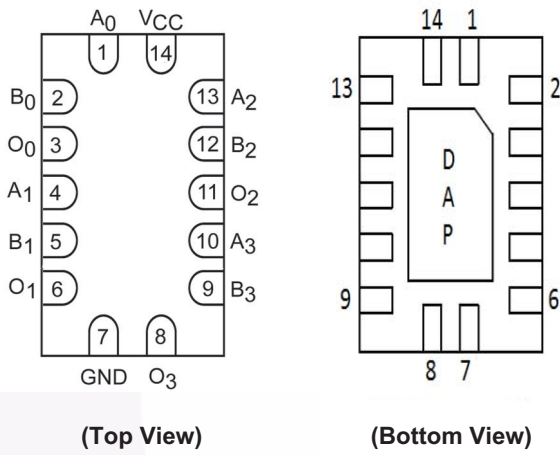
 All packages are lead free per JEDEC: J-STD-020B standard.

## Connection Diagrams

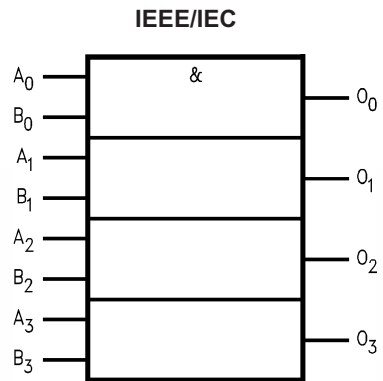
Pin Assignments for SOIC and TSSOP



Pad Assignments for DQFN



## Logic Symbol



## Pin Description

Pin Names	Description
$A_n, B_n$	Inputs
$O_n$	Outputs
DAP	No Connect

Note: DAP (Die Attach Pad)

## Absolute Maximum Ratings

Stresses exceeding the absolute maximum ratings may damage the device. The device may not function or be operable above the recommended operating conditions and stressing the parts to these levels is not recommended. In addition, extended exposure to stresses above the recommended operating conditions may affect device reliability. The absolute maximum ratings are stress ratings only.

Symbol	Parameter	Rating
$V_{CC}$	Supply Voltage	-0.5V to +4.6V
$V_I$	DC Input Voltage	-0.5V to 4.6V
$V_O$	DC Output Voltage HIGH or LOW State <sup>(2)</sup>	-0.5V to $V_{CC}+0.5V$
	$V_{CC} = 0V$	-0.5V to +4.6V
$I_{IK}$	DC Input Diode Current, $V_I < 0V$	-50mA
$I_{OK}$	DC Output Diode Current $V_O < 0V$	-50mA
	$V_O > V_{CC}$	+50mA
$I_{OH} / I_{OL}$	DC Output Source/Sink Current	+50mA
$I_{CC}$ or GND	DC $V_{CC}$ or Ground Current per Supply Pin	$\pm 100mA$
$T_{STG}$	Storage Temperature Range	-65°C to +150°C

### Note:

2.  $I_O$  Absolute Maximum Rating must be observed.

## Recommended Operating Conditions<sup>(3)</sup>

The Recommended Operating Conditions table defines the conditions for actual device operation. Recommended operating conditions are specified to ensure optimal performance to the datasheet specifications. Fairchild does not recommend exceeding them or designing to absolute maximum ratings.

Symbol	Parameter	Rating
$V_{CC}$	Power Supply Operating	1.2V to 3.6V
$V_I$	Input Voltage	-0.3V to 3.6V
$V_O$	Output Voltage, HIGH or LOW State	0V to $V_{CC}$
$I_{OH} / I_{OL}$	Output Current $V_{CC} = 3.0V$ to 3.6V	$\pm 24mA$
	$V_{CC} = 2.3V$ to 2.7V	$\pm 18mA$
	$V_{CC} = 1.65V$ to 2.3V	$\pm 6mA$
	$V_{CC} = 1.4V$ to 1.6V	$\pm 2mA$
	$V_{CC} = 1.2V$	$\pm 100\mu A$
$T_A$	Free Air Operating Temperature	-40°C to +85°C
$\Delta t / \Delta V$	Minimum Input Edge Rate, $V_{IN} = 0.8V$ to 2.0V, $V_{CC} = 3.0V$	10ns/V

### Note:

3. Floating or unused inputs must be held HIGH or LOW

## DC Electrical Characteristics

Symbol	Parameter	V <sub>CC</sub> (V)	Conditions	Min	Max	Units
V <sub>IH</sub>	HIGH Level Input Voltage	2.7–3.6		2.0		V
		2.3–2.7		1.6		
		1.65–2.3		0.65 × V <sub>CC</sub>		
		1.4–1.6		0.65 × V <sub>CC</sub>		
		1.2		0.65 × V <sub>CC</sub>		
V <sub>IL</sub>	LOW Level Input Voltage	2.7–3.6			0.8	V
		2.3–2.7			0.7	
		1.65–2.3			0.35 × V <sub>CC</sub>	
		1.4–1.6			0.35 × V <sub>CC</sub>	
		1.2			0.05 × V <sub>CC</sub>	
V <sub>OH</sub>	HIGH Level Output Voltage	2.7–3.6	I <sub>OH</sub> = –100μA	V <sub>CC</sub> – 0.2		V
		2.7	I <sub>OH</sub> = –12mA	2.2		
		3.0	I <sub>OH</sub> = –18mA	2.4		
		3.0	I <sub>OH</sub> = –24mA	2.2		
		2.3–2.7	I <sub>OH</sub> = –100μA	V <sub>CC</sub> – 0.2		
		2.3	I <sub>OH</sub> = –6mA	2.0		
		2.3	I <sub>OH</sub> = –12mA	1.8		
		2.3	I <sub>OH</sub> = –18mA	1.7		
		1.65–2.3	I <sub>OH</sub> = –100μA	V <sub>CC</sub> – 0.2		
		1.65	I <sub>OH</sub> = –6mA	1.25		
		1.4–1.6	I <sub>OH</sub> = –100μA	V <sub>CC</sub> – 0.2		
		1.4	I <sub>OH</sub> = –2mA	1.05		
		1.2	I <sub>OH</sub> = –100μA	V <sub>CC</sub> – 0.2		
V <sub>OL</sub>	LOW Level Output Voltage	2.7–3.6	I <sub>OL</sub> = 100μA		0.2	V
		2.7	I <sub>OL</sub> = 12mA		0.4	
		3.0	I <sub>OL</sub> = 18mA		0.4	
		3.0	I <sub>OL</sub> = 24mA		0.55	
		2.3–2.7	I <sub>OL</sub> = 100μA		0.2	
		2.3	I <sub>OL</sub> = 12mA		0.4	
		2.3	I <sub>OL</sub> = 18mA		0.6	
		1.65–2.3	I <sub>OL</sub> = 100μA		0.2	
		1.65	I <sub>OL</sub> = 6mA		0.2	
		1.4–1.6	I <sub>OL</sub> = 100μA		0.2	
		1.4	I <sub>OL</sub> = 2mA		0.35	
		1.2	I <sub>OL</sub> = 100μA		0.05	
		I <sub>I</sub>	Input Leakage Current	1.2–3.6	0 ≤ V <sub>I</sub> ≤ 3.6V	
I <sub>OFF</sub>	Power-OFF Leakage Current	0	0 ≤ (V <sub>I</sub> , V <sub>O</sub> ) ≤ 3.6V		10	μA
I <sub>CC</sub>	Quiescent Supply Current	1.2–3.6	V <sub>I</sub> = V <sub>CC</sub> or GND		20	μA
			V <sub>CC</sub> ≤ V <sub>I</sub> ≤ 3.6V		±20	
ΔI <sub>CC</sub>	Increase in I <sub>CC</sub> per Input	2.7–3.6	V <sub>IH</sub> = V <sub>CC</sub> – 0.6V		750	μA

AC Electrical Characteristics<sup>(4)</sup>

Symbol	Parameter	V <sub>CC</sub> (V)	Conditions	T <sub>A</sub> = -40°C to +85°C		Units	Figure Number
				Min.	Max.		
t <sub>PHL</sub> , t <sub>PLH</sub>	Propagation Delay	3.3 ± 0.3	C <sub>L</sub> = 30pF, R <sub>L</sub> = 500Ω	0.6	2.8	ns	Fig. 1 Fig. 2
		2.5 ± 0.2		0.8	3.7		
		1.8 ± 0.15		1.0	7.4		
		1.5 ± 0.1	C <sub>L</sub> = 15pF, R <sub>L</sub> = 2kΩ	1.0	14.8		Fig. 3 Fig. 4
		1.2		1.5	37.0		
t <sub>OSSL</sub> , t <sub>OSLH</sub>	Output to Output Skew <sup>(5)</sup>	3.3 ± 0.3	C <sub>L</sub> = 30pF, R <sub>L</sub> = 500Ω		0.5	ns	
		2.5 ± 0.2			0.5		
		1.8 ± 0.15			0.75		
		1.5 ± 0.1	C <sub>L</sub> = 15pF, R <sub>L</sub> = 2kΩ		1.5		
		1.2			1.5		

**Note:**

4. For C<sub>L</sub> = 50pF, add approximately 300ps to the AC Maximum specification.
5. Skew is defined as the absolute value of the difference between the actual propagation delay for any two separate outputs of the same device. The specification applies to any outputs switching in the same direction, either HIGH-to-LOW (t<sub>OSSL</sub>) or LOW-to-HIGH (t<sub>OSLH</sub>).

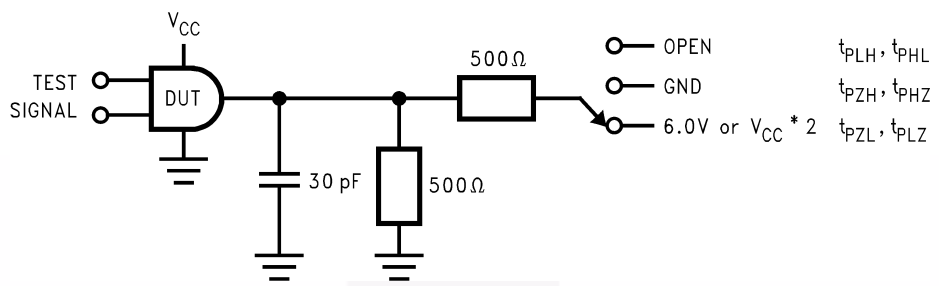
## Dynamic Switching Characteristics

Symbol	Parameter	V <sub>CC</sub> (V)	Conditions	T <sub>A</sub> = 25°C	Unit
				Typical	
V <sub>OLP</sub>	Quiet Output Dynamic Peak V <sub>OL</sub>	1.8	C <sub>L</sub> = 30pF, V <sub>IH</sub> = V <sub>CC</sub> , V <sub>IL</sub> = 0V	0.25	V
		2.5		0.6	
		3.3		0.8	
V <sub>OLV</sub>	Quiet Output Dynamic Valley V <sub>OL</sub>	1.8	C <sub>L</sub> = 30pF, V <sub>IH</sub> = V <sub>CC</sub> , V <sub>IL</sub> = 0V	-0.25	V
		2.5		-0.6	
		3.3		-0.8	
V <sub>OHV</sub>	Quiet Output Dynamic Valley V <sub>OH</sub>	1.8	C <sub>L</sub> = 30pF, V <sub>IH</sub> = V <sub>CC</sub> , V <sub>IL</sub> = 0V	1.5	V
		2.5		1.9	
		3.3		2.2	

## Capacitance

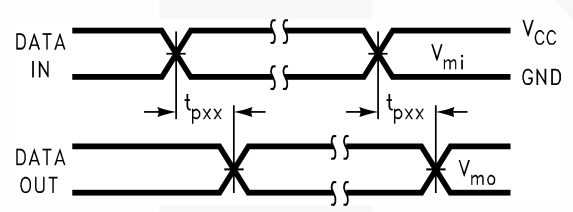
Symbol	Parameter	Conditions	T <sub>A</sub> = +25°C	Units
			Typical	
C <sub>IN</sub>	Input Capacitance	V <sub>I</sub> = 0V or V <sub>CC</sub> , V <sub>CC</sub> = 1.8V, 2.5V or 3.3V	6.0	pF
C <sub>OUT</sub>	Output Capacitance	V <sub>I</sub> = 0V or V <sub>CC</sub> , V <sub>CC</sub> = 1.8V, 2.5V or 3.3V	7.0	pF
C <sub>PD</sub>	Power Dissipation Capacitance	V <sub>I</sub> = 0V or V <sub>CC</sub> , f = 10MHz, V <sub>CC</sub> = 1.8V, 2.5V or 3.3V	20.0	pF

**AC Loading and Waveforms** ( $V_{CC}$  3.3V  $\pm$  0.3V to 1.8V  $\pm$  0.15V)



Test	Switch
$t_{PLH}$ , $t_{PHL}$	Open

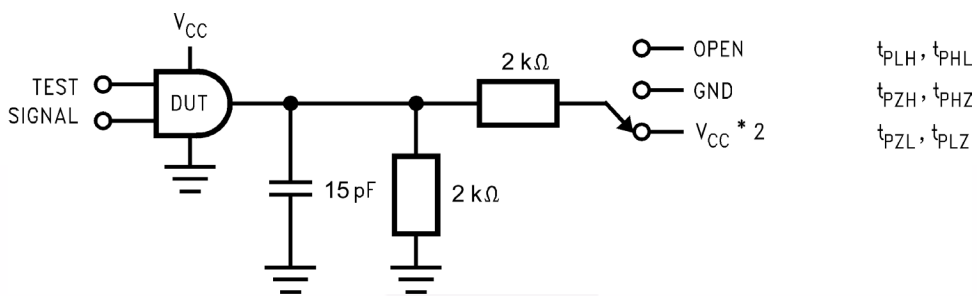
Figure 1. AC Test Circuit



Symbol	$V_{CC}$		
	3.3V $\pm$ 0.3V	2.5V $\pm$ 0.2V	1.8V $\pm$ 0.15V
$V_{mi}$	1.5V	$V_{CC} / 2$	$V_{CC} / 2$
$V_{mo}$	1.5V	$V_{CC} / 2$	$V_{CC} / 2$

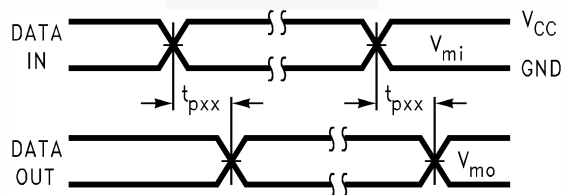
Figure 2. Waveform for Inverting and Non-inverting Functions

**AC Loading and Waveforms** ( $V_{CC} 1.5 \pm 0.1V$  to  $1.2V$ )



Test	Switch
$t_{PLH}, t_{PHL}$	Open
$t_{PZL}, t_{PLZ}$	$V_{CC} \times 2$ at $V_{CC} = 1.5V \pm 0.1V$
$t_{PZH}, t_{PHZ}$	GND

**Figure 3. AC Test Circuit**



Symbol	$V_{CC}$
	$1.5V \pm 0.1V$
$V_{mi}$	$V_{CC} / 2$
$V_{mo}$	$V_{CC} / 2$

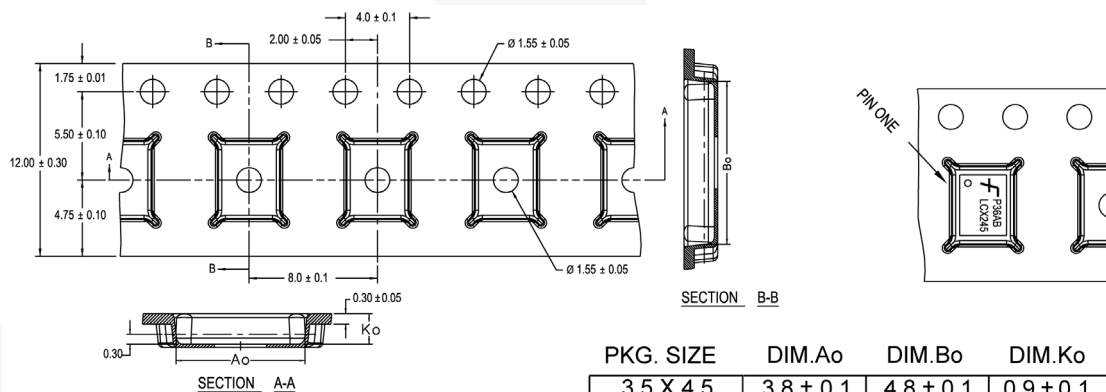
**Figure 4. Waveform for Inverting and Non-Inverting Functions**

## Tape and Reel Specification

### Tape Format for DQFN

Package Designator	Tape Section	Number of Cavities	Cavity Status	Cover Tape Status
BQX	Leader (Start End)	125 (Typ.)	Empty	Sealed
	Carrier	3000	Filled	Sealed
	Trailer (Hub End)	75 (Typ.)	Empty	Sealed

### Tape Dimensions inches (millimeters)



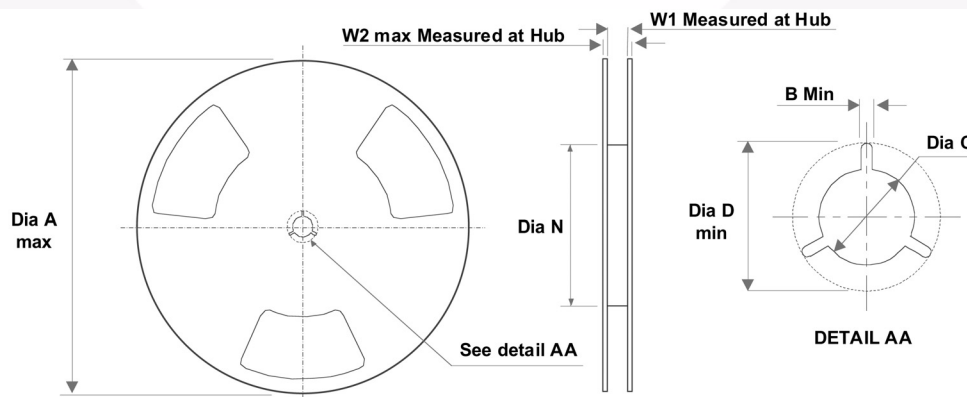
PKG. SIZE	DIM.Ao	DIM.Bo	DIM.Ko
3.5 X 4.5	3.8 ± 0.1	4.8 ± 0.1	0.9 ± 0.1
3.0 X 3.0	3.3 ± 0.1	3.3 ± 0.1	0.9 ± 0.1
2.5 X 4.5	2.8 ± 0.1	4.8 ± 0.1	0.9 ± 0.1
2.5 X 3.5	2.8 ± 0.1	3.8 ± 0.1	0.9 ± 0.1
2.5 X 3.0	2.8 ± 0.1	3.3 ± 0.1	0.9 ± 0.1
2.5 X 2.5	2.8 ± 0.1	2.8 ± 0.1	0.9 ± 0.1

DIMENSIONS ARE IN MILLIMETERS

NOTES: unless otherwise specified

1. Cumulative pitch for feeding holes and cavities (chip pockets) not to exceed 0.008[0.20] over 10 pitch span.
2. Smallest allowable bending radius.
3. Thru hole inside cavity is centered within cavity.
4. Tolerance is ±0.002[0.05] for these dimensions on all 12mm tapes.
5. Ao and Bo measured on a plane 0.120[0.30] above the bottom of the pocket.
6. Ko measured from a plane on the inside bottom of the pocket to the top surface of the carrier.
7. Pocket position relative to sprocket hole measured as true position of pocket. Not pocket hole.
8. Controlling dimension is millimeter. Dimension in inches rounded.

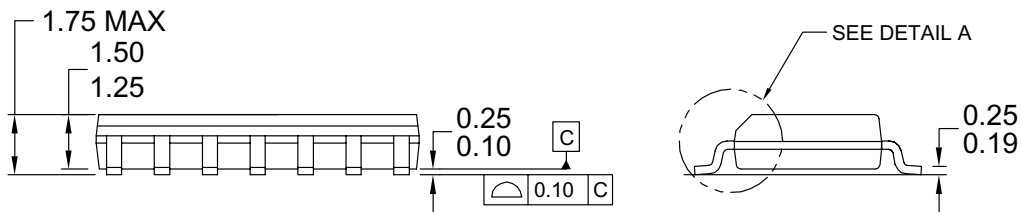
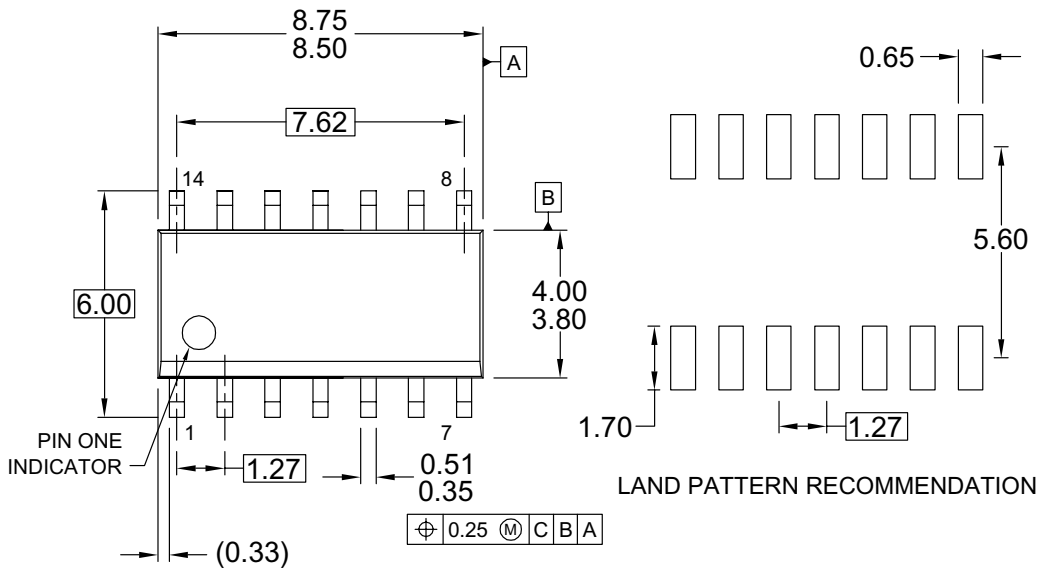
### Reel Dimensions inches (millimeters)



Tape Size	A	B	C	D	N	W1	W2
12mm	13.0 (330.0)	0.059 (1.50)	0.512 (13.00)	0.795 (20.20)	2.165 (55.00)	0.488 (12.4)	0.724 (18.4)



### Physical Dimensions



NOTES: UNLESS OTHERWISE SPECIFIED

- A) THIS PACKAGE CONFORMS TO JEDEC MS-012, VARIATION AB, ISSUE C,
- B) ALL DIMENSIONS ARE IN MILLIMETERS.
- C) DIMENSIONS DO NOT INCLUDE MOLD FLASH OR BURRS.
- D) LANDPATTERN STANDARD: SOIC127P600X145-14M
- E) DRAWING CONFORMS TO ASME Y14.5M-1994
- F) DRAWING FILE NAME: M14AREV13



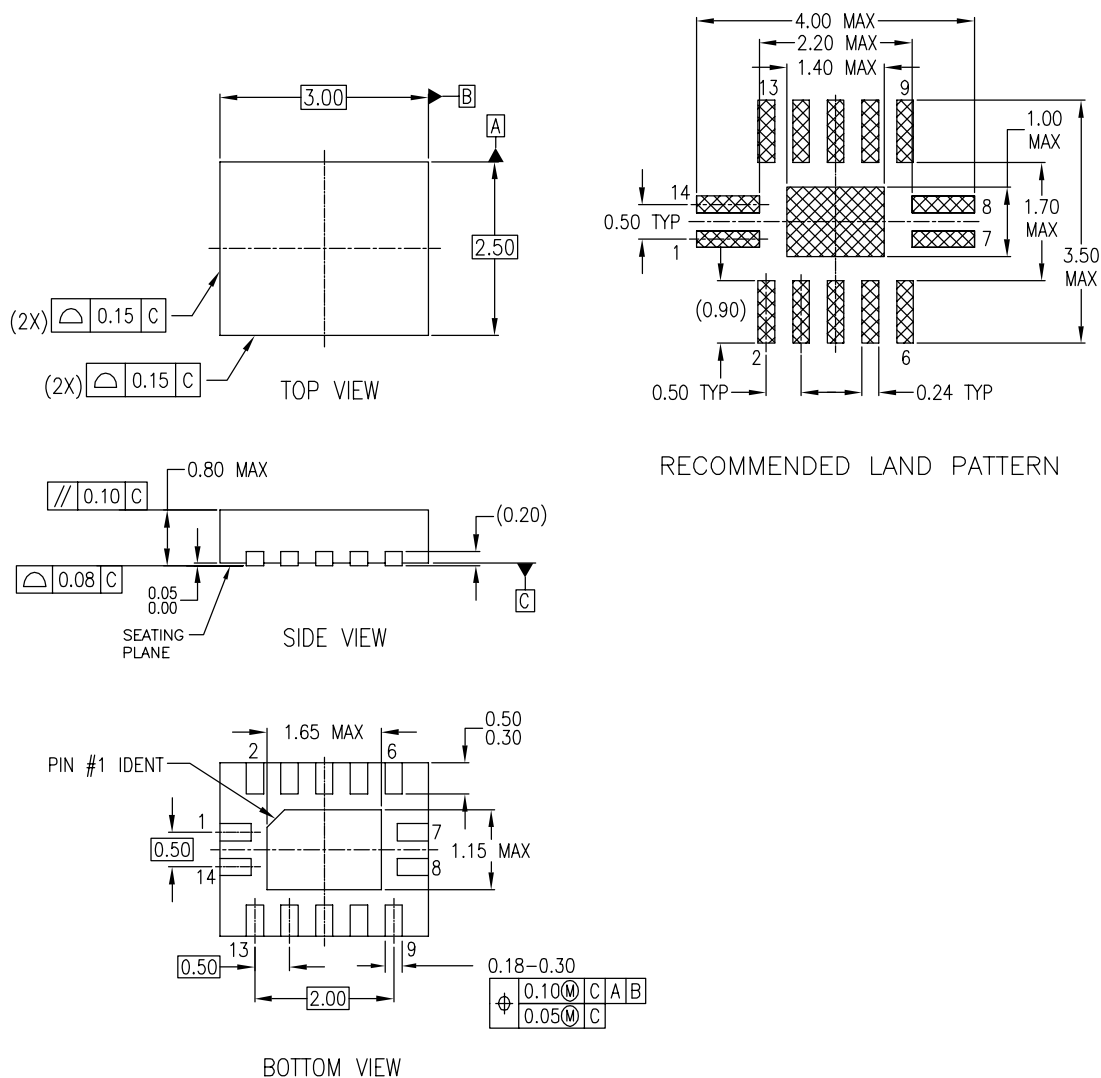
**Figure 5. 14-Lead Small Outline Integrated Circuit (SOIC), JEDEC MS-012, 0.150" Narrow**

Package drawings are provided as a service to customers considering Fairchild components. Drawings may change in any manner without notice. Please note the revision and/or date on the drawing and contact a Fairchild Semiconductor representative to verify or obtain the most recent revision. Package specifications do not expand the terms of Fairchild's worldwide terms and conditions, specifically the warranty therein, which covers Fairchild products.

Always visit Fairchild Semiconductor's online packaging area for the most recent package drawings:

<http://www.fairchildsemi.com/packaging/>

**Physical Dimensions (Continued)**



**NOTES:**

- A. CONFORMS TO JEDEC REGISTRATION MO-241, VARIATION AA
- B. DIMENSIONS ARE IN MILLIMETERS.
- C. DIMENSIONS AND TOLERANCES PER ASME Y14.5M, 1994

MLP14ArevA

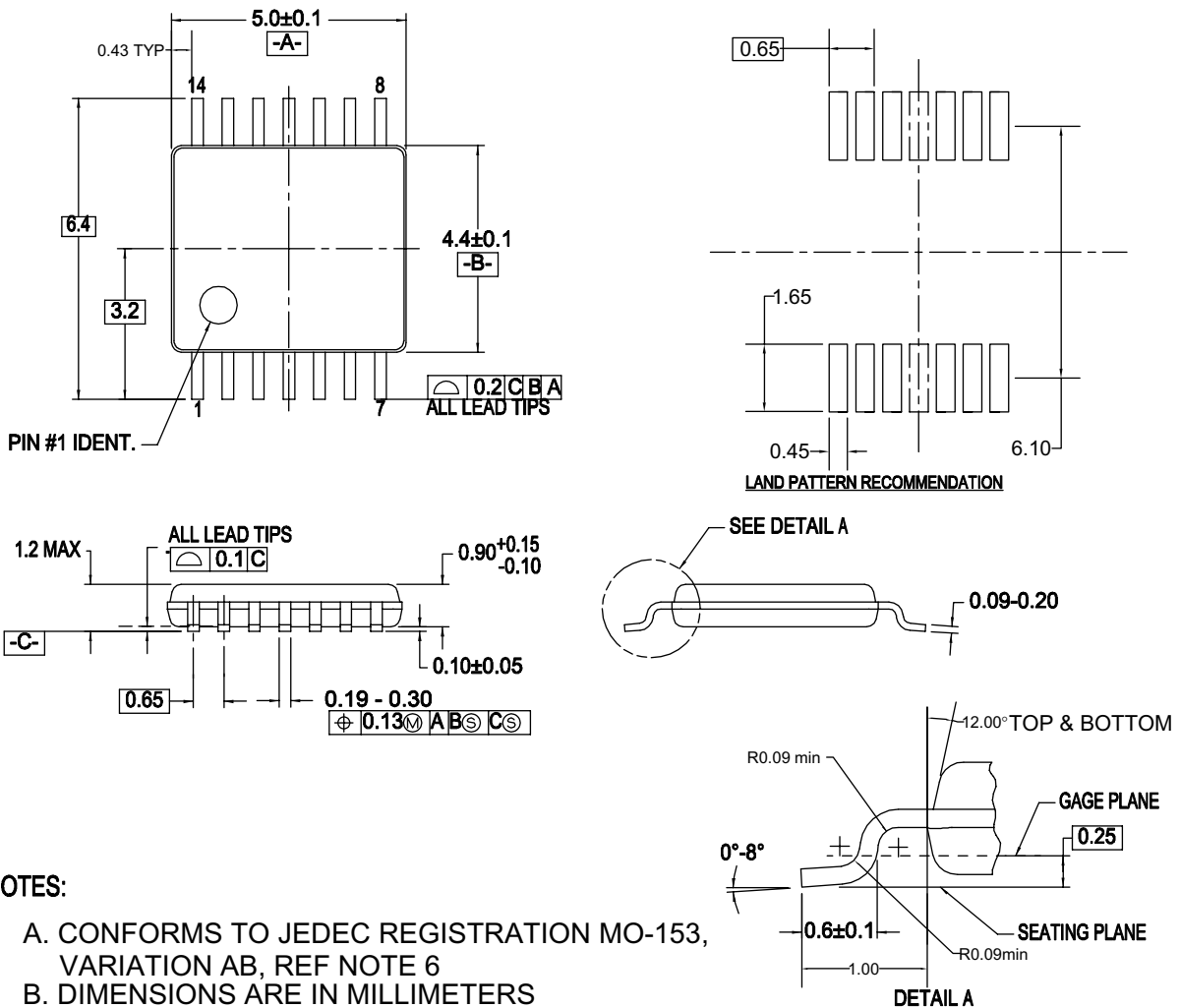
**Figure 6. 14-Terminal Depopulated Quad Very-Thin Flat Pack No Leads (DQFN), JEDEC MO-241, 2.5 x 3.0mm**

Package drawings are provided as a service to customers considering Fairchild components. Drawings may change in any manner without notice. Please note the revision and/or date on the drawing and contact a Fairchild Semiconductor representative to verify or obtain the most recent revision. Package specifications do not expand the terms of Fairchild's worldwide terms and conditions, specifically the warranty therein, which covers Fairchild products.

Always visit Fairchild Semiconductor's online packaging area for the most recent package drawings:

<http://www.fairchildsemi.com/packaging/>

**Physical Dimensions (Continued)**



**NOTES:**

- A. CONFORMS TO JEDEC REGISTRATION MO-153, VARIATION AB, REF NOTE 6
- B. DIMENSIONS ARE IN MILLIMETERS
- C. DIMENSIONS ARE EXCLUSIVE OF BURRS, MOLD FLASH, AND TIE BAR EXTRUSIONS
- D. DIMENSIONING AND TOLERANCES PER ANSI Y14.5M, 1982
- E. LANDPATTERN STANDARD: SOP65P640X110-14M
- F. DRAWING FILE NAME: MTC14REV6

**Figure 7. 14-Lead Thin Shrink Small Outline Package (TSSOP), JEDEC MO-153, 4.4mm Wide**

Package drawings are provided as a service to customers considering Fairchild components. Drawings may change in any manner without notice. Please note the revision and/or date on the drawing and contact a Fairchild Semiconductor representative to verify or obtain the most recent revision. Package specifications do not expand the terms of Fairchild's worldwide terms and conditions, specifically the warranty therein, which covers Fairchild products.






Always visit Fairchild Semiconductor's online packaging area for the most recent package drawings:

<http://www.fairchildsemi.com/packaging/>



**TRADEMARKS**

The following includes registered and unregistered trademarks and service marks, owned by Fairchild Semiconductor and/or its global subsidiaries, and is not intended to be an exhaustive list of all such trademarks.

- |   |  |   |   |
|---|--|---|---|
| AccuPower™  | F-PFS™   |  | Sync-Lock™  |
| AX-CAP®*  | FRFET®   | PowerXS™  |  |
| BitSiC™   | Global Power Resource <sup>SM</sup>            | Programmable Active Droop™  | TinyBoost®  |
| Build it Now™   | GreenBridge™                                   | QFET®   | TinyBuck®   |
| CorePLUS™   | Green FPS™                                     | QS™   | TinyCalc™   |
| CorePOWER™  | Green FPS™ e-Series™                           | Quiet Series™   | TinyLogic®  |
| CROSSVOLT™  | Gmax™  | RapidConfigure™   | TINYOPTO™   |
| CTL™  | GTO™   |  | TinyPower™  |
| Current Transfer Logic™   | IntelliMAX™                                    | Saving our world, 1mW/W/kW at a time™   | TinyPWM™  |
| DEUXPEED®   | ISOPLANAR™                                     | SignalWise™   | TinyWire™   |
| Dual Cool™  | Making Small Speakers Sound Louder and Better™ | SmartMax™   | TranSiC™  |
| EcoSPARK®   | MegaBuck™                                      | SMART START™  | TriFault Detect™  |
| EfficientMax™   | MICROCOUPLER™                                  | Solutions for Your Success™   | TRUECURRENT®*   |
| ESBC™   | MicroFET™                                      | SPM®  | μSerDes™  |
|  | MicroPak™                                      | STEALTH™  |  |
| Fairchild®  | MicroPak2™                                     | SuperFET®   | UHC®  |
| Fairchild Semiconductor®  | MillerDrive™                                   | SuperSOT™-3   | Ultra FRFET™  |
| FACT Quiet Series™  | MotionMax™                                     | SuperSOT™-6   | UniFET™   |
| FACT®   | mWSaver®                                       | SuperSOT™-8   | VcX™  |
| FAST®   | OptoHiT™                                       | SupreMOS®   | VisualMax™  |
| FastvCore™  | OPTOLOGIC®                                     | SyncFET™  | VoltagePlus™  |
| FETBench™   | OPTOPLANAR®                                    |   | XS™   |
| FPS™  |  |   |   |

\* Trademarks of System General Corporation, used under license by Fairchild Semiconductor.

**DISCLAIMER**

FAIRCHILD SEMICONDUCTOR RESERVES THE RIGHT TO MAKE CHANGES WITHOUT FURTHER NOTICE TO ANY PRODUCTS HEREIN TO IMPROVE RELIABILITY, FUNCTION, OR DESIGN. FAIRCHILD DOES NOT ASSUME ANY LIABILITY ARISING OUT OF THE APPLICATION OR USE OF ANY PRODUCT OR CIRCUIT DESCRIBED HEREIN; NEITHER DOES IT CONVEY ANY LICENSE UNDER ITS PATENT RIGHTS, NOR THE RIGHTS OF OTHERS. THESE SPECIFICATIONS DO NOT EXPAND THE TERMS OF FAIRCHILD'S WORLDWIDE TERMS AND CONDITIONS, SPECIFICALLY THE WARRANTY THEREIN, WHICH COVERS THESE PRODUCTS.

**LIFE SUPPORT POLICY**

FAIRCHILD'S PRODUCTS ARE NOT AUTHORIZED FOR USE AS CRITICAL COMPONENTS IN LIFE SUPPORT DEVICES OR SYSTEMS WITHOUT THE EXPRESS WRITTEN APPROVAL OF FAIRCHILD SEMICONDUCTOR CORPORATION.

As used herein:

1. Life support devices or systems are devices or systems which, (a) are intended for surgical implant into the body or (b) support or sustain life, and (c) whose failure to perform when properly used in accordance with instructions for use provided in the labeling, can be reasonably expected to result in a significant injury of the user.
2. A critical component in any component of a life support, device, or system whose failure to perform can be reasonably expected to cause the failure of the life support device or system, or to affect its safety or effectiveness.

**ANTI-COUNTERFEITING POLICY**

Fairchild Semiconductor Corporation's Anti-Counterfeiting Policy. Fairchild's Anti-Counterfeiting Policy is also stated on our external website, [www.fairchildsemi.com](http://www.fairchildsemi.com), under Sales Support.

Counterfeiting of semiconductor parts is a growing problem in the industry. All manufacturers of semiconductor products are experiencing counterfeiting of their parts. Customers who inadvertently purchase counterfeit parts experience many problems such as loss of brand reputation, substandard performance, failed applications, and increased cost of production and manufacturing delays. Fairchild is taking strong measures to protect ourselves and our customers from the proliferation of counterfeit parts. Fairchild strongly encourages customers to purchase Fairchild parts either directly from Fairchild or from Authorized Fairchild Distributors who are listed by country on our web page cited above. Products customers buy either from Fairchild directly or from Authorized Fairchild Distributors are genuine parts, have full traceability, meet Fairchild's quality standards for handling and storage and provide access to Fairchild's full range of up-to-date technical and product information. Fairchild and our Authorized Distributors will stand behind all warranties and will appropriately address any warranty issues that may arise. Fairchild will not provide any warranty coverage or other assistance for parts bought from Unauthorized Sources. Fairchild is committed to combat this global problem and encourage our customers to do their part in stopping this practice by buying direct or from authorized distributors.

**PRODUCT STATUS DEFINITIONS**

**Definition of Terms**

Datasheet Identification	Product Status	Definition
Advance Information	Formative / In Design	Datasheet contains the design specifications for product development. Specifications may change in any manner without notice.
Preliminary	First Production	Datasheet contains preliminary data; supplementary data will be published at a later date. Fairchild Semiconductor reserves the right to make changes at any time without notice to improve design.
No Identification Needed	Full Production	Datasheet contains final specifications. Fairchild Semiconductor reserves the right to make changes at any time without notice to improve the design.
Obsolete	Not In Production	Datasheet contains specifications on a product that is discontinued by Fairchild Semiconductor. The datasheet is for reference information only.

Rev. I66