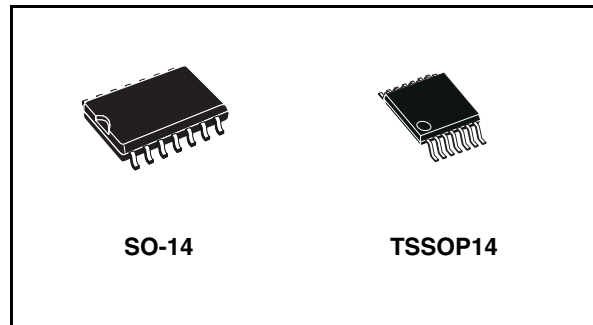


HEX SCHMITT inverter

Features

- High speed: $t_{PD} = 5.5\text{ns}$ (typ.) at $V_{CC} = 5\text{V}$
- Low power dissipation:
 $I_{CC} = 2\ \mu\text{A}$ (Max.) at $T_A = 25^\circ\text{C}$
- Typical hysteresis: $V_h = 0.7\text{V}$ at $V_{CC} = 4.5\text{V}$
- Power down protection on inputs & outputs
- Symmetrical output impedance:
 $|I_{OH}| = I_{OL} = 8\ \text{mA}$ (Min)
- Balanced propagation delays:
 $t_{PLH} \cong t_{PHL}$
- Operating voltage range:
 $V_{CC}(\text{Opr}) = 4.5\text{V}$ to 5.5V
- Pin and function compatible with 74 series 14
- Improved latch-up immunity
- Low noise: $V_{OLP} = 0.8\text{V}$ (Max.)



Description

The 74VHCT14A is an advanced high-speed CMOS HEX SCHMITT inverter fabricated with sub-micron silicon gate and double-layer metal wiring C²MOS technology.

The internal circuit is composed of 3 stages including buffer output, which provides high noise immunity and stable output.

Power down protection is provided on all inputs and outputs and 0 to 7V can be accepted on inputs with no regard to the supply voltage. This device can be used to interface 5V to 3V since all inputs are equipped with TTL threshold.

Pin configuration and function are the same as those of the 74VHC04 but the 74VHC14 has hysteresis.

This together with its schmitt trigger function allows it to be used on line receivers with slow rise/fall input signals.

All inputs and outputs are equipped with protection circuits against static discharge, giving them 2KV ESD immunity and transient excess voltage.

Table 1. Device summary

| Part number | Package | Packaging |
|--------------|---------|---------------|
| 74VHCT14AMTR | SO-14 | Tape and reel |
| 74VHCT14ATTR | TSSOP14 | Tape and reel |

Contents

| | | |
|----------|---|-----------|
| 1 | Logic symbols and I/O equivalent circuit | 3 |
| 2 | Pin settings | 4 |
| 2.1 | Pin connection | 4 |
| 2.2 | Pin description | 4 |
| 2.3 | Truth table | 4 |
| 3 | Maximum rating | 5 |
| 3.1 | Recommended operating conditions | 5 |
| 4 | Electrical characteristics | 6 |
| 5 | Test circuit | 8 |
| 6 | Waveforms | 8 |
| 7 | Package mechanical data | 9 |
| 8 | Revision history | 14 |

1 Logic symbols and I/O equivalent circuit

Figure 1. IEC logic symbols

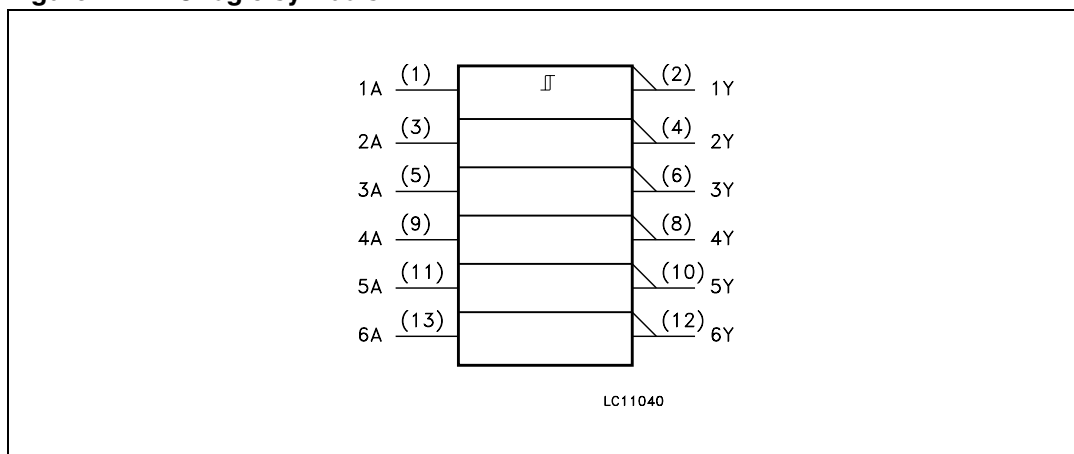
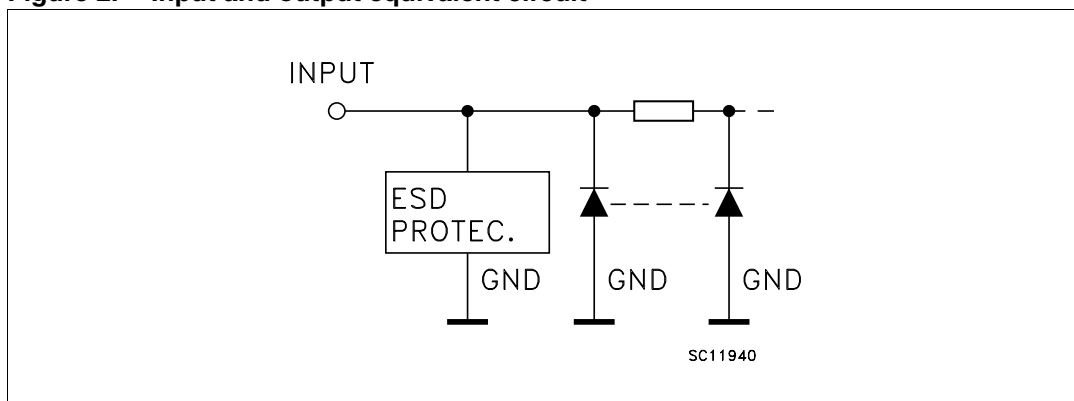


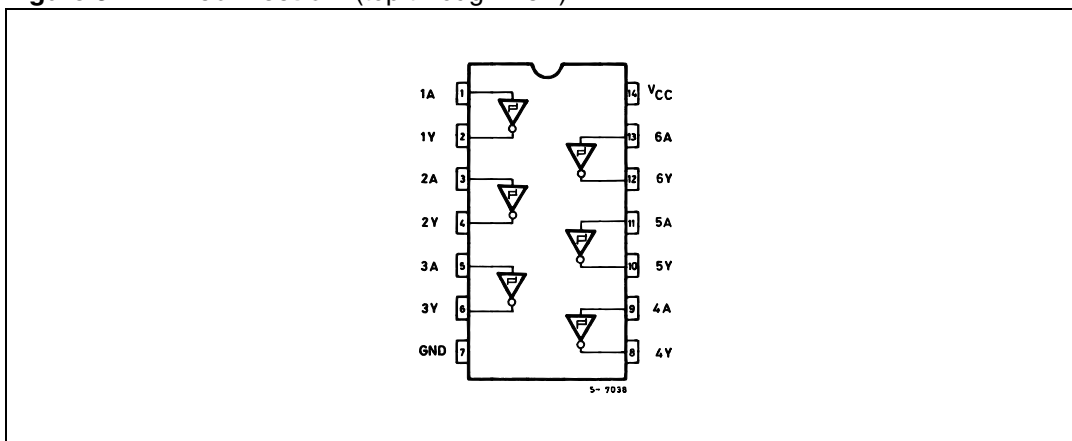
Figure 2. Input and output equivalent circuit



2 Pin settings

2.1 Pin connection

Figure 3. Pin connection (top through view)



2.2 Pin description

Table 2. Pin description

| Pin N° | Symbol | Name and function |
|--------------------|-----------------|-------------------------|
| 1, 3, 5, 9, 11, 13 | 1A to 6A | Data inputs |
| 2, 4, 6, 8, 10, 12 | 1Y to 6Y | Data outputs |
| 7 | GND | Ground (0V) |
| 14 | V _{CC} | Positive supply voltage |

2.3 Truth table

Table 3. Truth table

| Inputs | Output |
|----------|----------|
| A | Y |
| L | H |
| H | L |

3 Maximum rating

stressing the device above the rating listed in the “absolute maximum ratings” table may cause permanent damage to the device. these are stress ratings only and operation of the device at these or any other conditions above those indicated in the operating sections of this specification is not implied. exposure to absolute maximum rating conditions for extended periods may affect device reliability. refer also to the STMicroelectronics sure program and other relevant quality documents.

Table 4. Absolute maximum ratings

| Symbol | Parameter | Value | Unit |
|-----------|----------------------------------|------------------------|------|
| V_{CC} | Supply voltage | -0.5 to +7.0 | V |
| V_I | DC input voltage | -0.5 to +7.0 | V |
| V_O | DC output voltage ⁽¹⁾ | -0.5 to +7.0 | V |
| V_O | DC output voltage ⁽²⁾ | -0.5 to $V_{CC} + 0.5$ | V |
| I_{IK} | DC input diode current | - 20 | mA |
| I_{OK} | DC output diode current | ± 20 | mA |
| I_O | DC output current | ± 25 | mA |
| I_{CC} | DC supply current per supply pin | ± 50 | mA |
| I_{GND} | DC ground current per supply pin | ± 50 | mA |
| T_{stg} | Storage temperature | -65 to +150 | °C |
| T_L | Lead temperature (10 sec) | 300 | °C |

1. $V_{CC} = 0V$

2. High or low state

3.1 Recommended operating conditions

Table 5. Recommended operating conditions

| Symbol | Parameter | Value | Unit |
|----------|-------------------------------|---------------|------|
| V_{CC} | Supply voltage | 4.5 to 5.5 | V |
| V_I | Input voltage | 0 to 5.5 | V |
| V_O | Output voltage ⁽¹⁾ | 0 to 5.5 | V |
| V_O | Output voltage ⁽²⁾ | 0 to V_{CC} | V |
| T_{op} | Operating temperature | -55 to 125 | °C |

1. $V_{CC} = 0V$

2. High or low state

4 Electrical characteristics

Table 6. DC specifications

| Symbol | Parameter | Test condition | | Value | | | | | | Unit | |
|------------------|--------------------------------------|------------------------|--|-----------------------|------|-------|-------------|-------|--------------|-------|------|
| | | V _{CC} (V) | | T _A = 25°C | | | -40 to 85°C | | -55 to 125°C | | |
| | | | | Min. | Typ. | Max. | Min. | Max. | Min. | | Max. |
| V _{t+} | High level threshold voltage | 4.5 | | | | 2.0 | | 2.0 | | 2.0 | V |
| | | 5.5 | | | | 2.0 | | 2.0 | | 2.0 | |
| V _{t-} | Low level threshold voltage | 4.5 | | 0.6 | | | 0.6 | | 0.6 | | V |
| | | 5.5 | | 0.6 | | | 0.6 | | 0.6 | | |
| V _h | Hysteresis voltage | 4.5 | | 0.4 | | 1.4 | 0.4 | 1.4 | 0.4 | 1.4 | V |
| | | 5.5 | | 0.4 | | 1.5 | 0.4 | 1.5 | 0.4 | 1.5 | |
| V _{OH} | High level output voltage | 4.5 | I _O =-50 μA | 4.4 | 4.5 | | 4.4 | | 4.4 | | V |
| | | 4.5 | I _O =-8 mA | 3.94 | | | 3.8 | | 3.7 | | |
| V _{OL} | Low level output voltage | 4.5 | I _O =50 μA | | 0.0 | 0.1 | | 0.1 | | 0.1 | V |
| | | 4.5 | I _O =8 mA | | | 0.36 | | 0.44 | | 0.55 | |
| I _I | Input leakage current | 0 to 5.5 | V _I = 5.5V or GND | | | ± 0.1 | | ± 1.0 | | ± 1.0 | μA |
| I _{CC} | Quiescent supply current | 5.5 | V _I = V _{CC} or GND | | | 2 | | 20 | | 20 | μA |
| +I _{CC} | Additional worst case supply current | 5.5 | One Input at 3.4V, other input at V _{CC} or GND | | | 1.35 | | 1.5 | | 1.5 | mA |
| I _{OPD} | Output leakage current | 0 | V _{OUT} = 5.5V | | | 0.5 | | 5.0 | | 5.0 | μA |

Table 7. AC electrical characteristics (Input $t_r = t_f = 3\text{ns}$)

| Symbol | Parameter | Test condition | | | Value | | | | | | Unit | |
|------------------------|---------------------------|--------------------|---------------|--|--------------------------|------|------|-----------------------------|------|------------------------------|------|------|
| | | V_{CC} (1)(V) | C_L (pF) | | $T_A = 25^\circ\text{C}$ | | | -40 to 85°C | | -55 to 125°C | | |
| | | | | | Min. | Typ. | Max. | Min. | Max. | Min. | | Max. |
| t_{PLH} t_{PHL} | Propagation delay time | 5.0 | 15 | | | 5.5 | 7.6 | 1.0 | 8.5 | 1.0 | 9.5 | ns |
| | | 5.0 | 50 | | | 6.7 | 8.0 | 1.0 | 9.5 | 1.0 | 10.5 | |

1. Voltage range is $5.0\text{V} \pm 0.5\text{V}$

Table 8. Capacitive characteristics

| Symbol | Parameter | Test condition | | | Value | | | | | | Unit | |
|----------|--------------------------------------|----------------|--|--|--------------------------|------|------|-----------------------------|------|------------------------------|------|------|
| | | | | | $T_A = 25^\circ\text{C}$ | | | -40 to 85°C | | -55 to 125°C | | |
| | | | | | Min. | Typ. | Max. | Min. | Max. | Min. | | Max. |
| C_{IN} | Input capacitance | | | | | 6 | 10 | | 10 | | 10 | pF |
| C_{PD} | Power dissipation capacitance (1) | | | | | 20 | | | | | | pF |

1. C_{PD} is defined as the value of the IC's internal equivalent capacitance which is calculated from the operating current consumption without load. (Refer to Test Circuit). Average operating current can be obtained by the following equation.
 $I_{CC(opr)} = C_{PD} \times V_{CC} \times f_{IN} + I_{CC}/6$ (per gate)

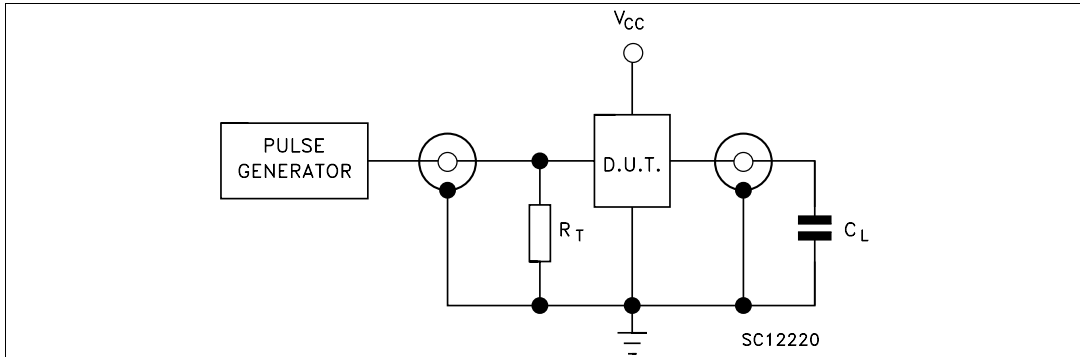
Table 9. Dynamic switching characteristics

| Symbol | Parameter | Test condition | | | Value | | | | | | Unit | |
|-----------|--|-----------------|----------------------|------|--------------------------|------|------|-----------------------------|------|------------------------------|------|------|
| | | V_{CC} (V) | | | $T_A = 25^\circ\text{C}$ | | | -40 to 85°C | | -55 to 125°C | | |
| | | | | | Min. | Typ. | Max. | Min. | Max. | Min. | | Max. |
| V_{OLP} | Dynamic low voltage quiet output (1) (2) | 5.0 | $C_L = 50\text{ pF}$ | | 0.3 | 0.8 | | | | | | V |
| V_{OLV} | | | | -0.8 | -0.3 | | | | | | | |
| V_{IHD} | Dynamic high voltage input (1) (3) | 5.0 | | 2.0 | | | | | | | V | |
| V_{ILD} | Dynamic low voltage input (1) (3) | 5.0 | | | | 0.6 | | | | | V | |

1. Worst case package.
2. Max number of outputs defined as (n). Data inputs are driven 0V to 5.0V, (n-1) outputs switching and one output at GND.
3. Max number of data inputs (n) switching. (n-1) switching 0V to 5.0V. Inputs under test switching: 5.0V to threshold (V_{ILD}), 0V to threshold (V_{IHD}), $f = 1\text{MHz}$.

5 Test circuit

Figure 4. Test circuit

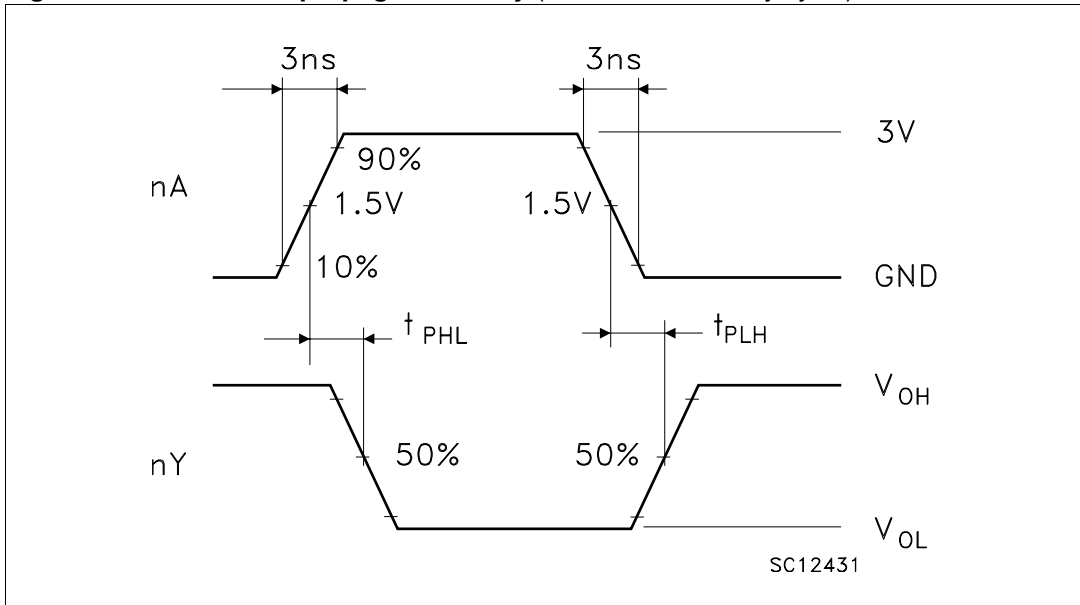


$C_L = 15/50\text{pF}$ or equivalent (includes jig and probe capacitance)

$R_T = Z_{OUT}$ of pulse generator (typically 50Ω)

6 Waveforms

Figure 5. Waveform - propagation delay ($f = 1\text{MHz}$; 50% duty cycle)

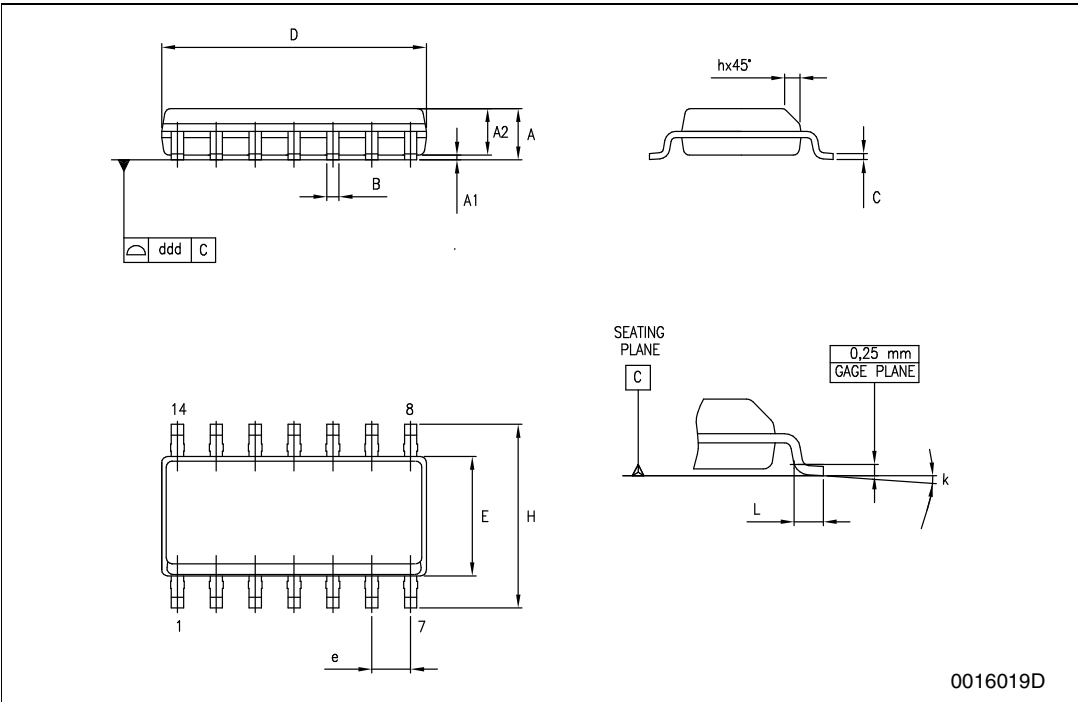


7 Package mechanical data

In order to meet environmental requirements, ST offers these devices in ECOPACK® packages. These packages have a Lead-free second level interconnect . The category of second level interconnect is marked on the package and on the inner box label, in compliance with JEDEC Standard JESD97. The maximum ratings related to soldering conditions are also marked on the inner box label. ECOPACK is an ST trademark. ECOPACK specifications are available at: www.st.com

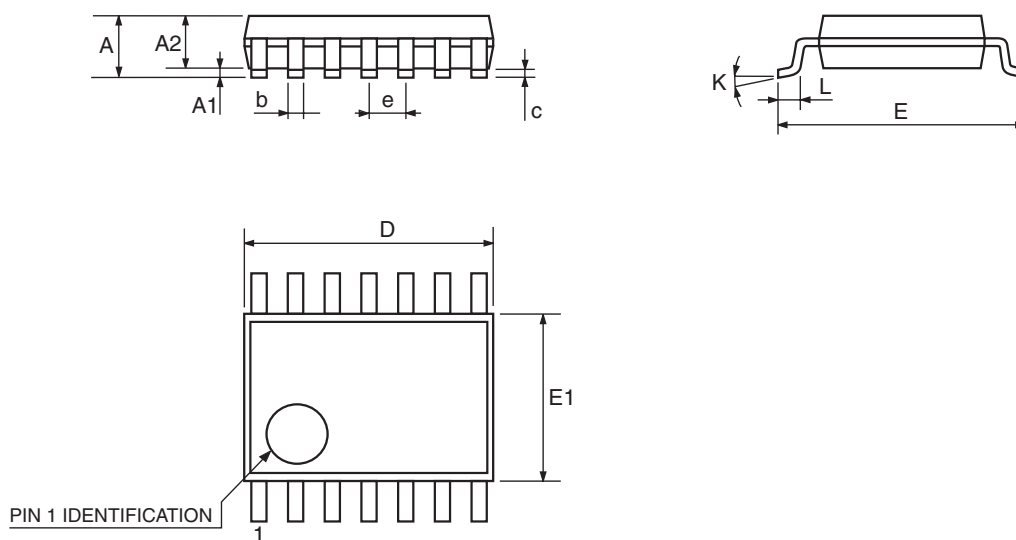
SO-14 MECHANICAL DATA

| DIM. | mm. | | | inch | | |
|------|------|------|-------|-------|-------|-------|
| | MIN. | TYP | MAX. | MIN. | TYP. | MAX. |
| A | 1.35 | | 1.75 | 0.053 | | 0.069 |
| A1 | 0.1 | | 0.25 | 0.004 | | 0.010 |
| A2 | 1.10 | | 1.65 | 0.043 | | 0.065 |
| B | 0.33 | | 0.51 | 0.013 | | 0.020 |
| C | 0.19 | | 0.25 | 0.007 | | 0.010 |
| D | 8.55 | | 8.75 | 0.337 | | 0.344 |
| E | 3.8 | | 4.0 | 0.150 | | 0.157 |
| e | | 1.27 | | | 0.050 | |
| H | 5.8 | | 6.2 | 0.228 | | 0.244 |
| h | 0.25 | | 0.50 | 0.010 | | 0.020 |
| L | 0.4 | | 1.27 | 0.016 | | 0.050 |
| k | 0° | | 8° | 0° | | 8° |
| ddd | | | 0.100 | | | 0.004 |



TSSOP14 MECHANICAL DATA

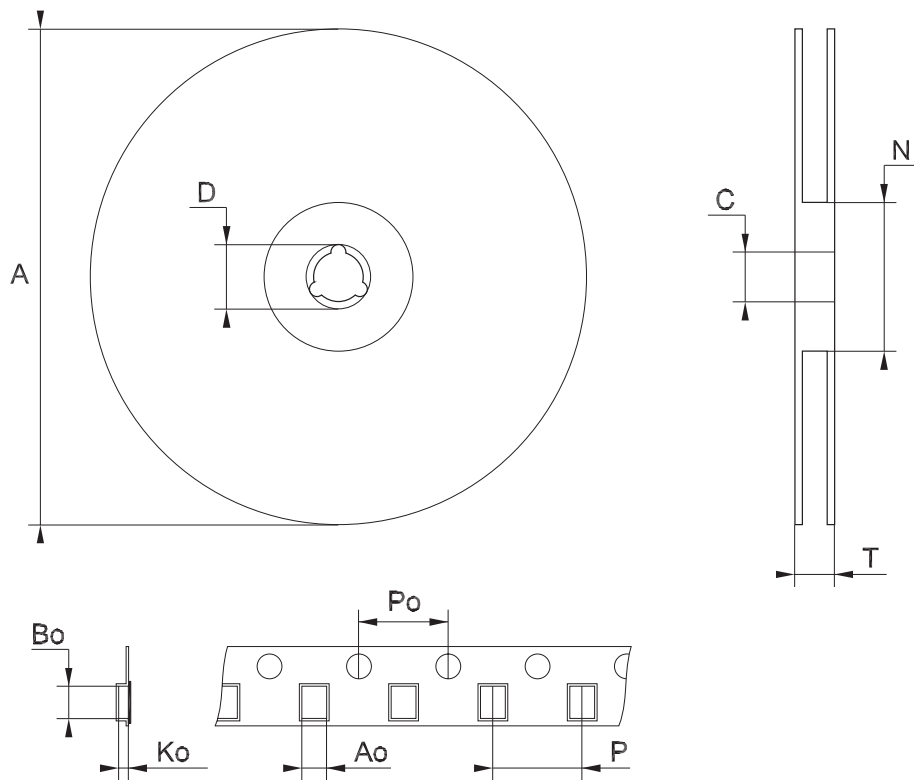
| DIM. | mm. | | | inch | | |
|------|------|----------|------|-------|------------|--------|
| | MIN. | TYP | MAX. | MIN. | TYP. | MAX. |
| A | | | 1.2 | | | 0.047 |
| A1 | 0.05 | | 0.15 | 0.002 | 0.004 | 0.006 |
| A2 | 0.8 | 1 | 1.05 | 0.031 | 0.039 | 0.041 |
| b | 0.19 | | 0.30 | 0.007 | | 0.012 |
| c | 0.09 | | 0.20 | 0.004 | | 0.0089 |
| D | 4.9 | 5 | 5.1 | 0.193 | 0.197 | 0.201 |
| E | 6.2 | 6.4 | 6.6 | 0.244 | 0.252 | 0.260 |
| E1 | 4.3 | 4.4 | 4.48 | 0.169 | 0.173 | 0.176 |
| e | | 0.65 BSC | | | 0.0256 BSC | |
| K | 0° | | 8° | 0° | | 8° |
| L | 0.45 | 0.60 | 0.75 | 0.018 | 0.024 | 0.030 |



0080337D

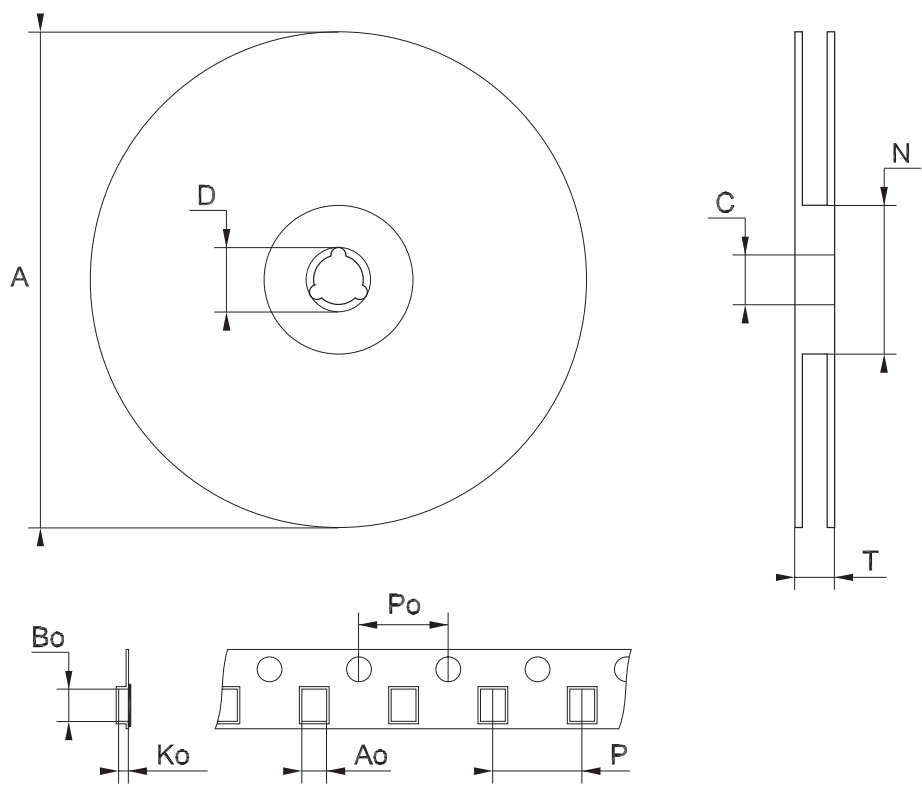
Tape & Reel SO-14 MECHANICAL DATA

| DIM. | mm. | | | inch | | |
|------|------|-----|------|-------|------|--------|
| | MIN. | TYP | MAX. | MIN. | TYP. | MAX. |
| A | | | 330 | | | 12.992 |
| C | 12.8 | | 13.2 | 0.504 | | 0.519 |
| D | 20.2 | | | 0.795 | | |
| N | 60 | | | 2.362 | | |
| T | | | 22.4 | | | 0.882 |
| Ao | 6.4 | | 6.6 | 0.252 | | 0.260 |
| Bo | 9 | | 9.2 | 0.354 | | 0.362 |
| Ko | 2.1 | | 2.3 | 0.082 | | 0.090 |
| Po | 3.9 | | 4.1 | 0.153 | | 0.161 |
| P | 7.9 | | 8.1 | 0.311 | | 0.319 |



Tape & Reel TSSOP14 MECHANICAL DATA

| DIM. | mm. | | | inch | | |
|------|------|-----|------|-------|------|--------|
| | MIN. | TYP | MAX. | MIN. | TYP. | MAX. |
| A | | | 330 | | | 12.992 |
| C | 12.8 | | 13.2 | 0.504 | | 0.519 |
| D | 20.2 | | | 0.795 | | |
| N | 60 | | | 2.362 | | |
| T | | | 22.4 | | | 0.882 |
| Ao | 6.7 | | 6.9 | 0.264 | | 0.272 |
| Bo | 5.3 | | 5.5 | 0.209 | | 0.217 |
| Ko | 1.6 | | 1.8 | 0.063 | | 0.071 |
| Po | 3.9 | | 4.1 | 0.153 | | 0.161 |
| P | 7.9 | | 8.1 | 0.311 | | 0.319 |



Note: Drawing not in scale

8 Revision history

Table 10. Revision history

| Date | Revision | Changes |
|-------------|----------|---|
| 12-Nov-2004 | 1 | First release |
| 03-May-2007 | 2 | Document reformatted, updated Table 6 on page 6 |

Please Read Carefully:

Information in this document is provided solely in connection with ST products. STMicroelectronics NV and its subsidiaries ("ST") reserve the right to make changes, corrections, modifications or improvements, to this document, and the products and services described herein at any time, without notice.

All ST products are sold pursuant to ST's terms and conditions of sale.

Purchasers are solely responsible for the choice, selection and use of the ST products and services described herein, and ST assumes no liability whatsoever relating to the choice, selection or use of the ST products and services described herein.

No license, express or implied, by estoppel or otherwise, to any intellectual property rights is granted under this document. If any part of this document refers to any third party products or services it shall not be deemed a license grant by ST for the use of such third party products or services, or any intellectual property contained therein or considered as a warranty covering the use in any manner whatsoever of such third party products or services or any intellectual property contained therein.

UNLESS OTHERWISE SET FORTH IN ST'S TERMS AND CONDITIONS OF SALE ST DISCLAIMS ANY EXPRESS OR IMPLIED WARRANTY WITH RESPECT TO THE USE AND/OR SALE OF ST PRODUCTS INCLUDING WITHOUT LIMITATION IMPLIED WARRANTIES OF MERCHANTABILITY, FITNESS FOR A PARTICULAR PURPOSE (AND THEIR EQUIVALENTS UNDER THE LAWS OF ANY JURISDICTION), OR INFRINGEMENT OF ANY PATENT, COPYRIGHT OR OTHER INTELLECTUAL PROPERTY RIGHT.

UNLESS EXPRESSLY APPROVED IN WRITING BY AN AUTHORIZED ST REPRESENTATIVE, ST PRODUCTS ARE NOT RECOMMENDED, AUTHORIZED OR WARRANTED FOR USE IN MILITARY, AIR CRAFT, SPACE, LIFE SAVING, OR LIFE SUSTAINING APPLICATIONS, NOR IN PRODUCTS OR SYSTEMS WHERE FAILURE OR MALFUNCTION MAY RESULT IN PERSONAL INJURY, DEATH, OR SEVERE PROPERTY OR ENVIRONMENTAL DAMAGE. ST PRODUCTS WHICH ARE NOT SPECIFIED AS "AUTOMOTIVE GRADE" MAY ONLY BE USED IN AUTOMOTIVE APPLICATIONS AT USER'S OWN RISK.

Resale of ST products with provisions different from the statements and/or technical features set forth in this document shall immediately void any warranty granted by ST for the ST product or service described herein and shall not create or extend in any manner whatsoever, any liability of ST.

ST and the ST logo are trademarks or registered trademarks of ST in various countries.

Information in this document supersedes and replaces all information previously supplied.

The ST logo is a registered trademark of STMicroelectronics. All other names are the property of their respective owners.

© 2007 STMicroelectronics - All rights reserved

STMicroelectronics group of companies

Australia - Belgium - Brazil - Canada - China - Czech Republic - Finland - France - Germany - Hong Kong - India - Israel - Italy - Japan - Malaysia - Malta - Morocco - Singapore - Spain - Sweden - Switzerland - United Kingdom - United States of America

www.st.com

