

PRELIMINARY
 Notice: This is not a final specification.
 Some parametric limits are subject to change.

MITSUBISHI MICROCOMPUTERS
7544 Group

SINGLE-CHIP 8-BIT CMOS MICROCOMPUTER

DESCRIPTION

The 7544 Group is the 8-bit microcomputer based on the 740 family core technology.

The 7544 Group has a serial I/O, 8-bit timers, a 16-bit timer, and an A-D converter, and is useful for control of home electric appliances and office automation equipment.

FEATURES

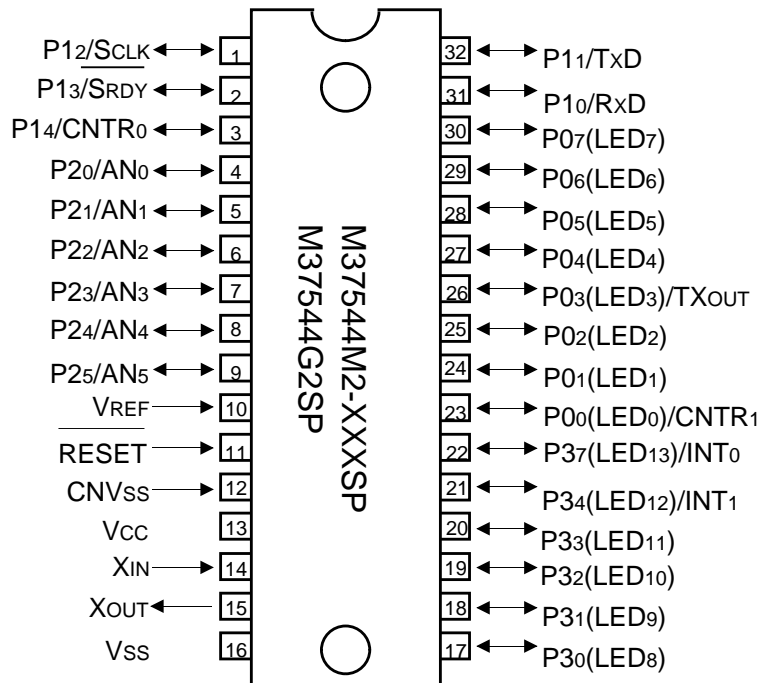
- Basic machine-language instructions 71
- The minimum instruction execution time 0.25 μ s
 (at 8 MHz oscillation frequency, double-speed mode for the shortest instruction)
- Memory size ROM 8 K bytes
 RAM 256 bytes
- Programmable I/O ports 25
- Interrupts 12 sources, 12 vectors
- Timers 8-bit X 2
 16-bit X 1
- Serial I/O 8-bit X 1 (UART or Clock-synchronized)
- A-D converter 8-bit X 6 channels

- Clock generating circuit Built-in type
 (low-power dissipation by a ring oscillator enabled)
 (connect to external ceramic resonator or quartz-crystal oscillator permitting RC oscillation)
- Watchdog timer 16-bit X 1
- Power source voltage
 XIN oscillation frequency at ceramic/quartz-crystal oscillation, in double-speed mode
 At 8 MHz 4.5 to 5.5 V
 XIN oscillation frequency at ceramic/quartz-crystal oscillation, in high-speed mode
 At 8 MHz 4.0 to 5.5 V
 XIN oscillation frequency at RC oscillation
 At 4 MHz 4.0 to 5.5 V
- Power dissipation TBD
- Operating temperature range -20 to 85 °C

APPLICATION

Office automation equipment, factory automation equipment, home electric appliances, consumer electronics, etc.

PIN CONFIGURATION (TOP VIEW)



Package type: 32P4B

Fig. 1 Pin configuration (32P4B type)

PRELIMINARY
 Notice: This is not a final specification.
 Some parametric limits are subject to change.

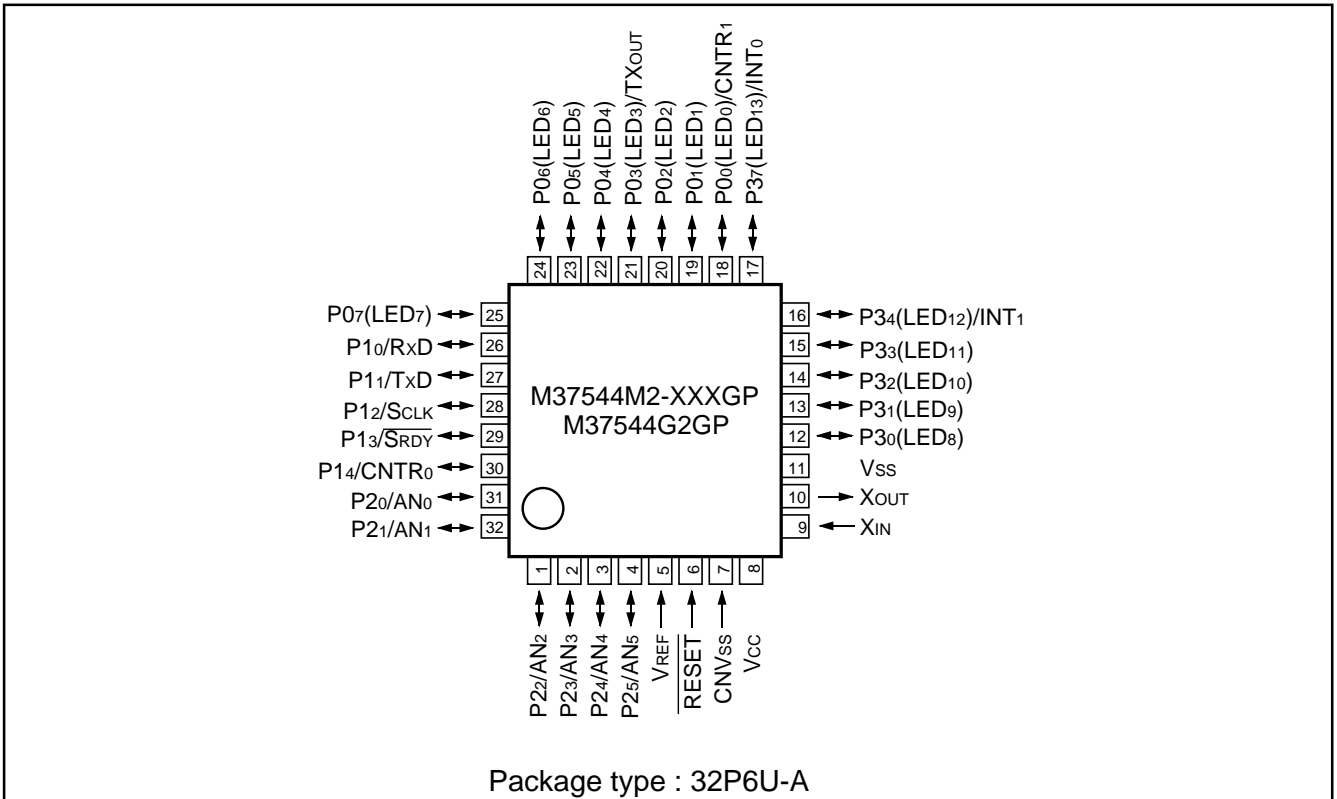


Fig. 2 Pin configuration (32P6U-A type)

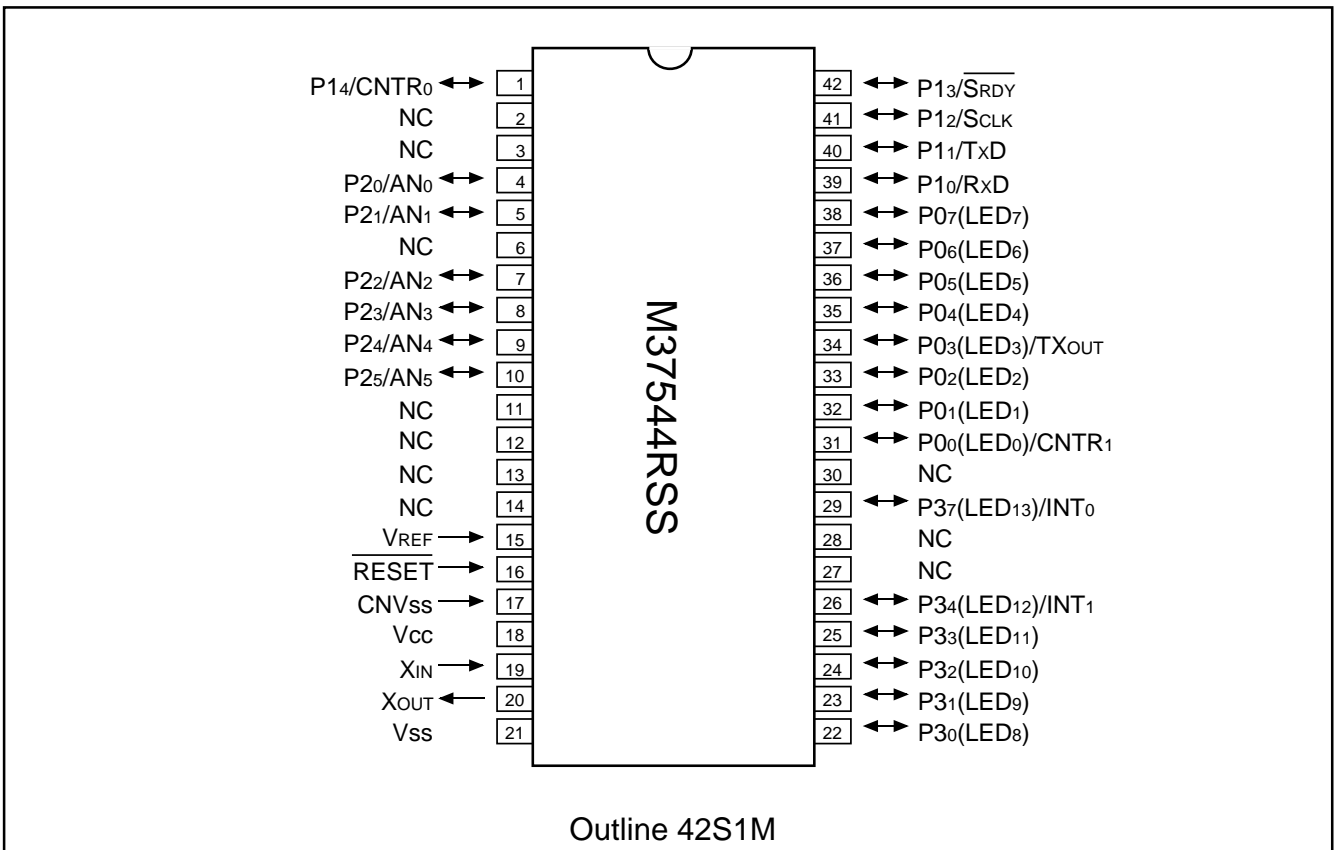


Fig. 3 Pin configuration (42S1M type)

PRELIMINARY
 Notice: This is not a final specification.
 Some parametric limits are subject to change.

FUNCTIONAL BLOCK

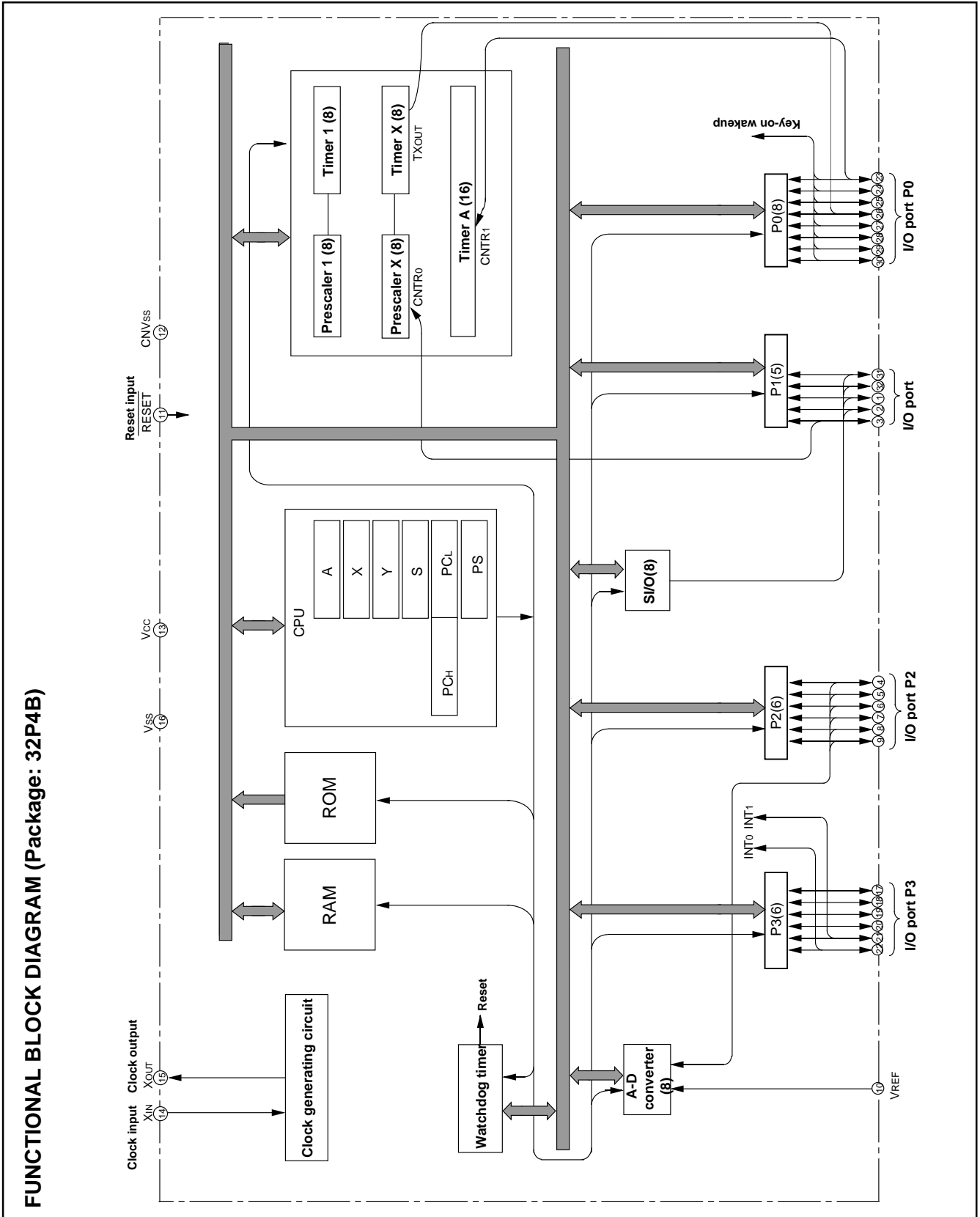


Fig. 4 Functional block diagram (32P4B package)

PRELIMINARY
 Notice: This is not a final specification.
 Some parametric limits are subject to change.

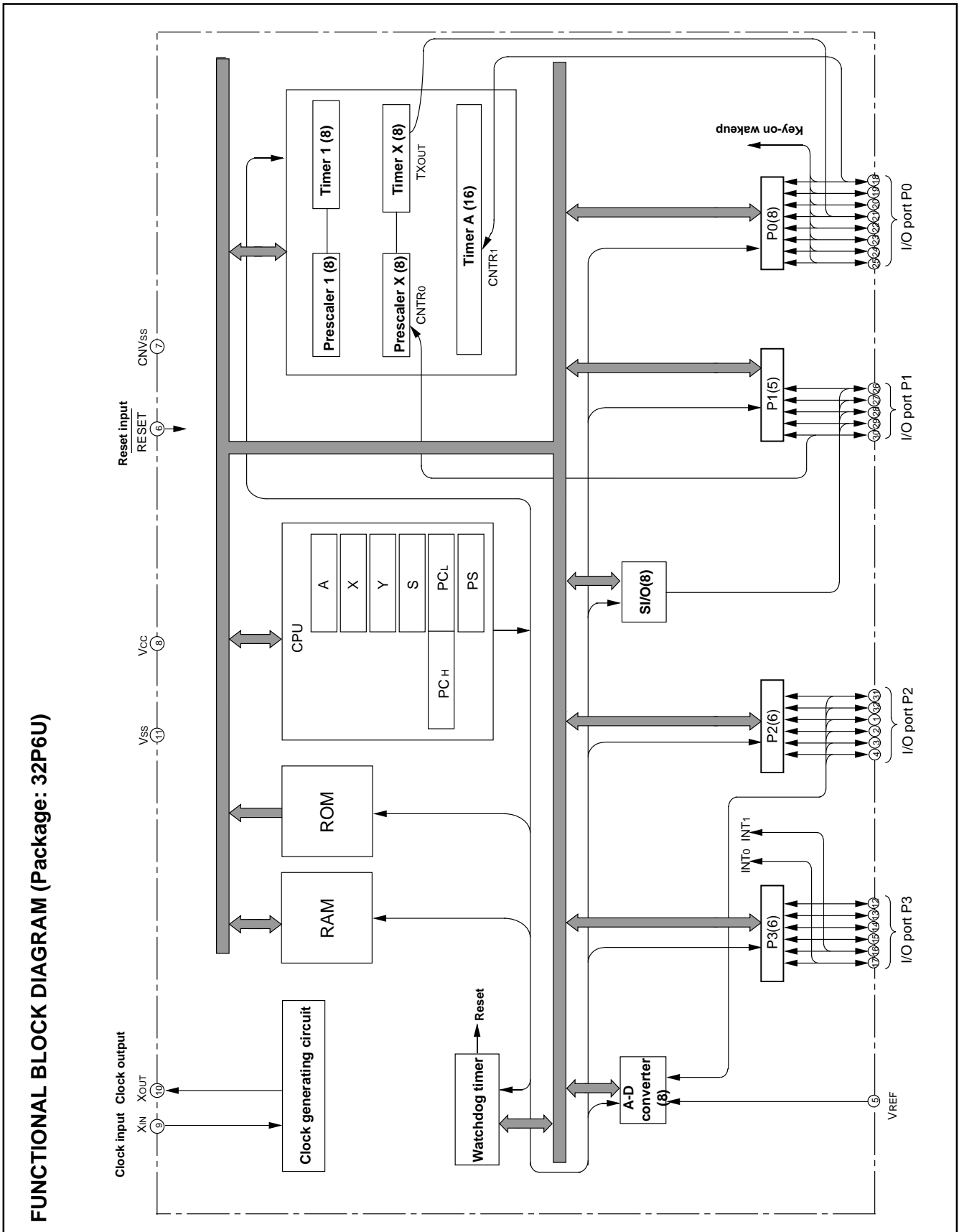


Fig. 5 Functional block diagram (32P6U package)

PRELIMINARY
 Notice: This is not a final specification.
 Some parametric limits are subject to change.

PIN DESCRIPTION

Table 1 Pin description

Pin	Name	Function	Function expect a port function
Vcc, Vss	Power source	•Apply voltage of 4.5 to 5.5 V to Vcc, and 0 V to Vss.	
VREF	Analog reference voltage	•Reference voltage input pin for A-D converter	
CNVss	CNVss	•Chip operating mode control pin, which is always connected to Vss.	
RESET	Reset input	•Reset input pin for active "L"	
XIN	Clock input	•Input and output pins for main clock generating circuit •Connect a ceramic resonator or quartz crystal oscillator between the XIN and XOUT pins.	
XOUT	Clock output	•For using RC oscillator, short between the XIN and XOUT pins, and connect the capacitor and resistor. •If an external clock is used, connect the clock source to the XIN pin and leave the XOUT pin open. • When the ring oscillator is selected as the main clock, connect XIN pin to VCC and leave XOUT open.	
P00/CNTR1 P01 P02 P03/TXOUT P04-P07	I/O port P0	•8-bit I/O port. •I/O direction register allows each pin to be individually programmed as either input or output. •CMOS compatible input level •CMOS 3-state output structure •P0 can output a large current for driving LED. •Whether a built-in pull-up resistor is to be used or not can be determined by program.	• Key-input (key-on wake up interrupt input) pins • Timer X and timer A function pin
P10/RxD P11/TxD P12/SCLK P13/SRDY P14/CNTR0	I/O port P1	•5-bit I/O port •I/O direction register allows each pin to be individually programmed as either input or output. •CMOS compatible input level •CMOS 3-state output structure •CMOS/TTL level can be switched for P10, P12	• Serial I/O function pin • Timer X function pin
P20/AN0-P25/AN5	I/O port P2	•6-bit I/O port having almost the same function as P0 •CMOS compatible input level •CMOS 3-state output structure	• Input pins for A-D converter
P30-P33	I/O port P3	•6-bit I/O port •I/O direction register allows each pin to be individually programmed as either input or output. •CMOS compatible input level (CMOS/TTL level can be switched for P34, P37). •CMOS 3-state output structure •P3 can output a large current for driving LED.	
P34/INT1 P37/INT0		•Whether a built-in pull-up resistor is to be used or not can be determined by program.	• Interrupt input pins

PRELIMINARY
 Notice: This is not a final specification.
 Some parametric limits are subject to change.

GROUP EXPANSION

Mitsubishi plans to expand the 7544 group as follow:

Memory type

Support for Mask ROM version, One Time PROM version, and Emulator MCU.

Memory size

ROM/PROM size 8 K bytes
 RAM size 256 bytes

Package

32P4B 32-pin shrink plastic molded DIP
 32P6U-A 0.8 mm-pitch plastic molded LQFP
 42S1M 42-pin shrink ceramic PIGGY BACK

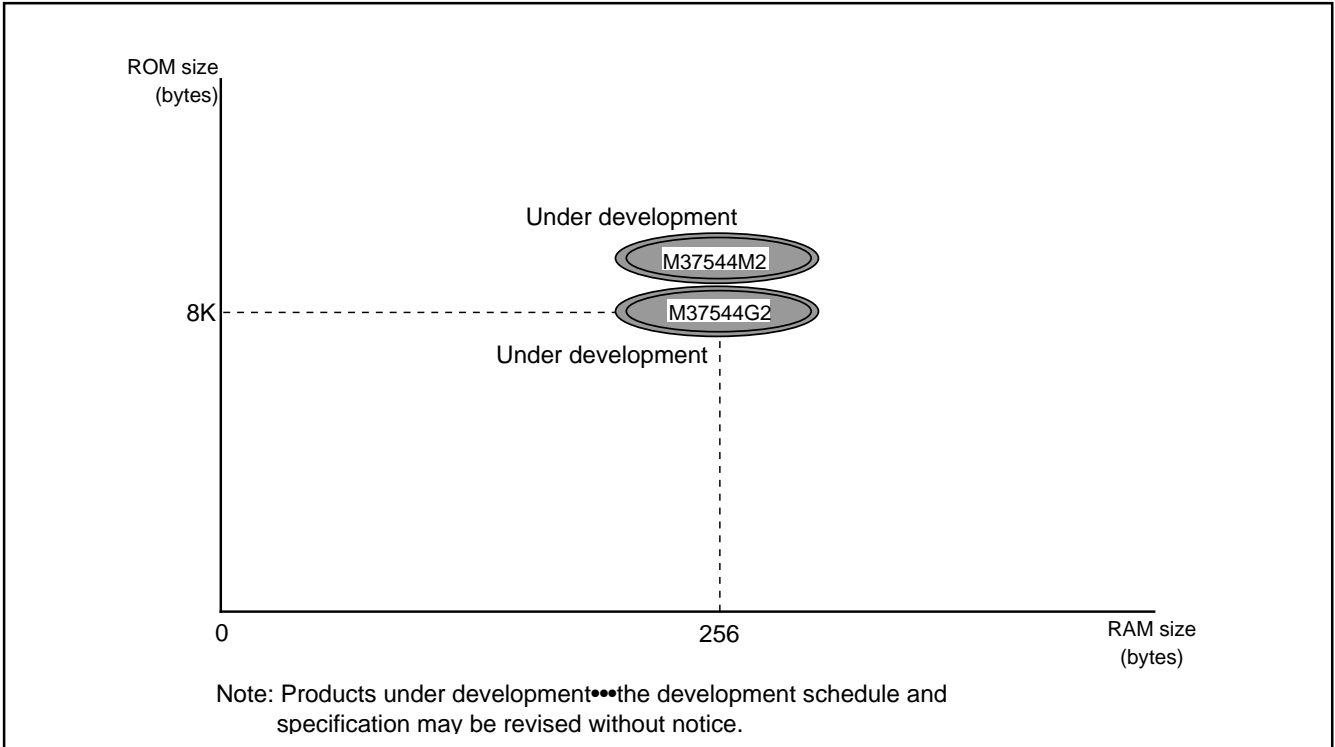


Fig. 6 Memory expansion plan

Currently supported products are listed below.

Table 2 List of supported products

Product	(P) ROM size (bytes) ROM size for User ()	RAM size (bytes)	Package	Remarks
M37544M2-XXXSP *	8192	256	32P4B	Mask ROM version
M37544M2-XXXGP *	(8062)		32P6U-A	Mask ROM version
M37544G2SP *			32P4B	One Time PROM version (blank)
M37544G2GP *			32P6U-A	One Time PROM version (blank)
M37544RSS *	—————	256	42S1M	Emulator MCU

*: Under development

PRELIMINARY
 Notice: This is not a final specification.
 Some parametric limits are subject to change.

FUNCTIONAL DESCRIPTION

Central Processing Unit (CPU)

The MCU uses the standard 740 family instruction set. Refer to the table of 740 family addressing modes and machine-language instructions or the SERIES 740 <SOFTWARE> USER'S MANUAL for details on each instruction set.

Machine-resident 740 family instructions are as follows:

1. The FST and SLW instructions cannot be used.
2. The MUL and DIV instructions can be used.
3. The WIT instruction can be used.
4. The STP instruction can be used.

This instruction cannot be used while CPU operates by a ring oscillator.

Accumulator (A)

The accumulator is an 8-bit register. Data operations such as data transfer, etc., are executed mainly through the accumulator.

Index register X (X), Index register Y (Y)

Both index register X and index register Y are 8-bit registers. In the index addressing modes, the value of the OPERAND is added to the contents of register X or register Y and specifies the real address.

When the T flag in the processor status register is set to "1", the value contained in index register X becomes the address for the second OPERAND.

Stack pointer (S)

The stack pointer is an 8-bit register used during subroutine calls and interrupts. The stack is used to store the current address data and processor status when branching to subroutines or interrupt routines.

The lower eight bits of the stack address are determined by the contents of the stack pointer. The upper eight bits of the stack address are determined by the Stack Page Selection Bit. If the Stack Page Selection Bit is "0", then the RAM in the zero page is used as the stack area. If the Stack Page Selection Bit is "1", then RAM in page 1 is used as the stack area.

The Stack Page Selection Bit is located in the SFR area in the zero page. Note that the initial value of the Stack Page Selection Bit varies with each microcomputer type. Also some microcomputer types have no Stack Page Selection Bit and the upper eight bits of the stack address are fixed. The operations of pushing register contents onto the stack and popping them from the stack are shown in Fig. 9.

Program counter (PC)

The program counter is a 16-bit counter consisting of two 8-bit registers PCH and PCL. It is used to indicate the address of the next instruction to be executed.

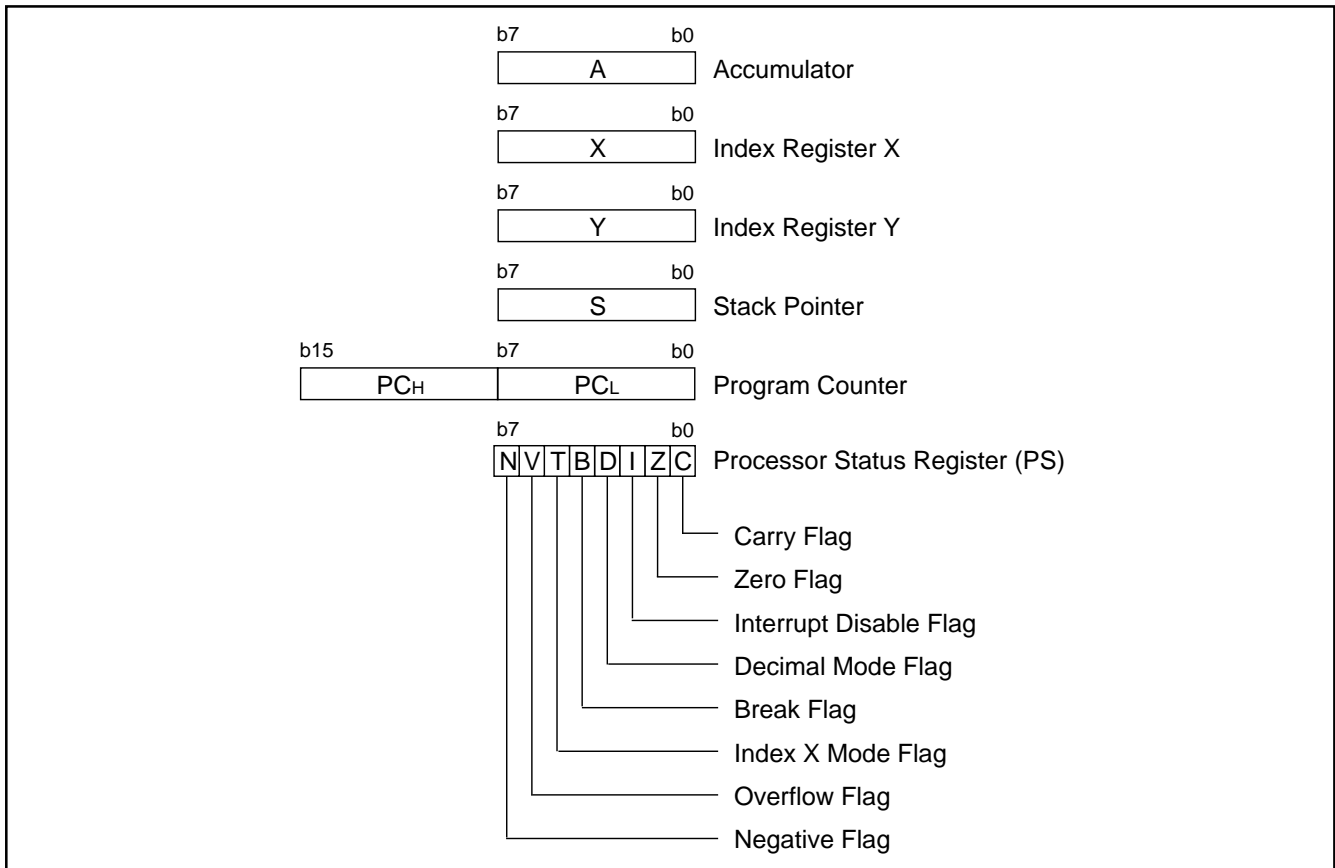


Fig. 7 740 Family CPU register structure

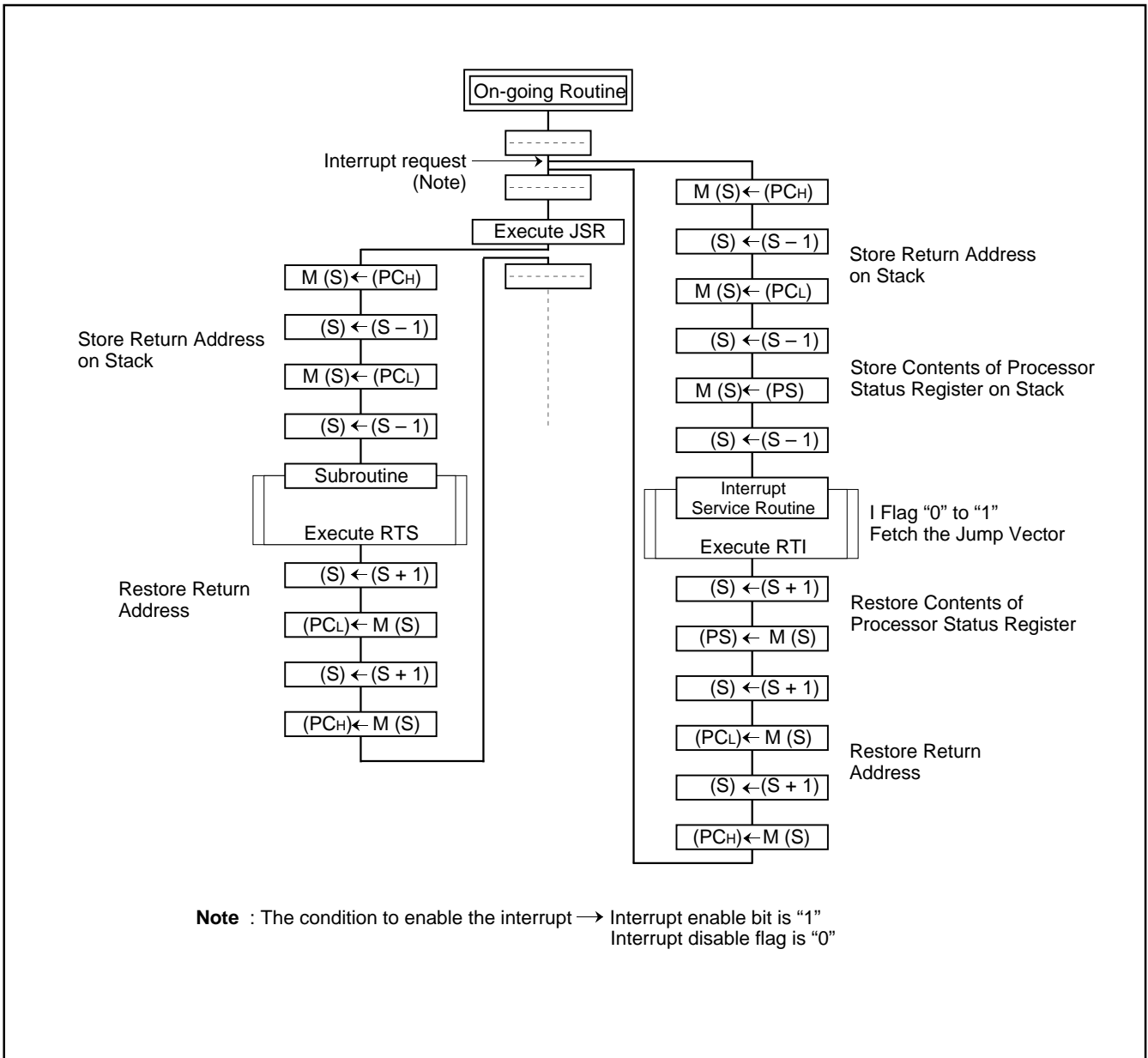


Fig. 8 Register push and pop at interrupt generation and subroutine call

Table 3 Push and pop instructions of accumulator or processor status register

	Push instruction to stack	Pop instruction from stack
Accumulator	PHA	PLA
Processor status register	PHP	PLP

PRELIMINARY
 Notice: This is not a final specification.
 Some parametric limits are subject to change.

Processor status register (PS)

The processor status register is an 8-bit register consisting of flags which indicate the status of the processor after an arithmetic operation. Branch operations can be performed by testing the Carry (C) flag, Zero (Z) flag, Overflow (V) flag, or the Negative (N) flag. In decimal mode, the Z, V, N flags are not valid.

After reset, the Interrupt disable (I) flag is set to "1", but all other flags are undefined. Since the Index X mode (T) and Decimal mode (D) flags directly affect arithmetic operations, they should be initialized in the beginning of a program.

(1) Carry flag (C)

The C flag contains a carry or borrow generated by the arithmetic logic unit (ALU) immediately after an arithmetic operation. It can also be changed by a shift or rotate instruction.

(2) Zero flag (Z)

The Z flag is set if the result of an immediate arithmetic operation or a data transfer is "0", and cleared if the result is anything other than "0".

(3) Interrupt disable flag (I)

The I flag disables all interrupts except for the interrupt generated by the BRK instruction. Interrupts are disabled when the I flag is "1".

When an interrupt occurs, this flag is automatically set to "1" to prevent other interrupts from interfering until the current interrupt is serviced.

(4) Decimal mode flag (D)

The D flag determines whether additions and subtractions are executed in binary or decimal. Binary arithmetic is executed when this flag is "0"; decimal arithmetic is executed when it is "1".

Decimal correction is automatic in decimal mode. Only the ADC and SBC instructions can be used for decimal arithmetic.

(5) Break flag (B)

The B flag is used to indicate that the current interrupt was generated by the BRK instruction. The BRK flag in the processor status register is always "0". When the BRK instruction is used to generate an interrupt, the processor status register is pushed onto the stack with the break flag set to "1". The saved processor status is the only place where the break flag is ever set.

(6) Index X mode flag (T)

When the T flag is "0", arithmetic operations are performed between accumulator and memory, e.g. the results of an operation between two memory locations is stored in the accumulator. When the T flag is "1", direct arithmetic operations and direct data transfers are enabled between memory locations, i.e. between memory and memory, memory and I/O, and I/O and I/O. In this case, the result of an arithmetic operation performed on data in memory location 1 and memory location 2 is stored in memory location 1. The address of memory location 1 is specified by index register X, and the address of memory location 2 is specified by normal addressing modes.

(7) Overflow flag (V)

The V flag is used during the addition or subtraction of one byte of signed data. It is set if the result exceeds +127 to -128. When the BIT instruction is executed, bit 6 of the memory location operated on by the BIT instruction is stored in the overflow flag.

(8) Negative flag (N)

The N flag is set if the result of an arithmetic operation or data transfer is negative. When the BIT instruction is executed, bit 7 of the memory location operated on by the BIT instruction is stored in the negative flag.

Table 4 Set and clear instructions of each bit of processor status register

	C flag	Z flag	I flag	D flag	B flag	T flag	V flag	N flag
Set instruction	SEC	–	SEI	SED	–	SET	–	–
Clear instruction	CLC	–	CLI	CLD	–	CLT	CLV	–

[CPU mode register] CPUM

The CPU mode register contains the stack page selection bit.
 This register is allocated at address 003B16.

Switching method of CPU mode register

Switch the CPU mode register (CPUM) at the head of program after releasing Reset in the following method.

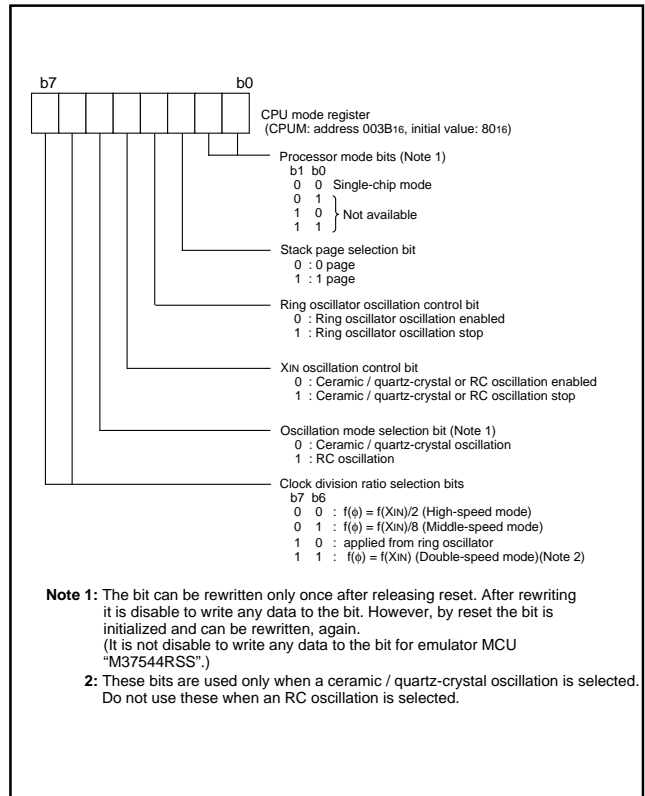


Fig. 9 Structure of CPU mode register

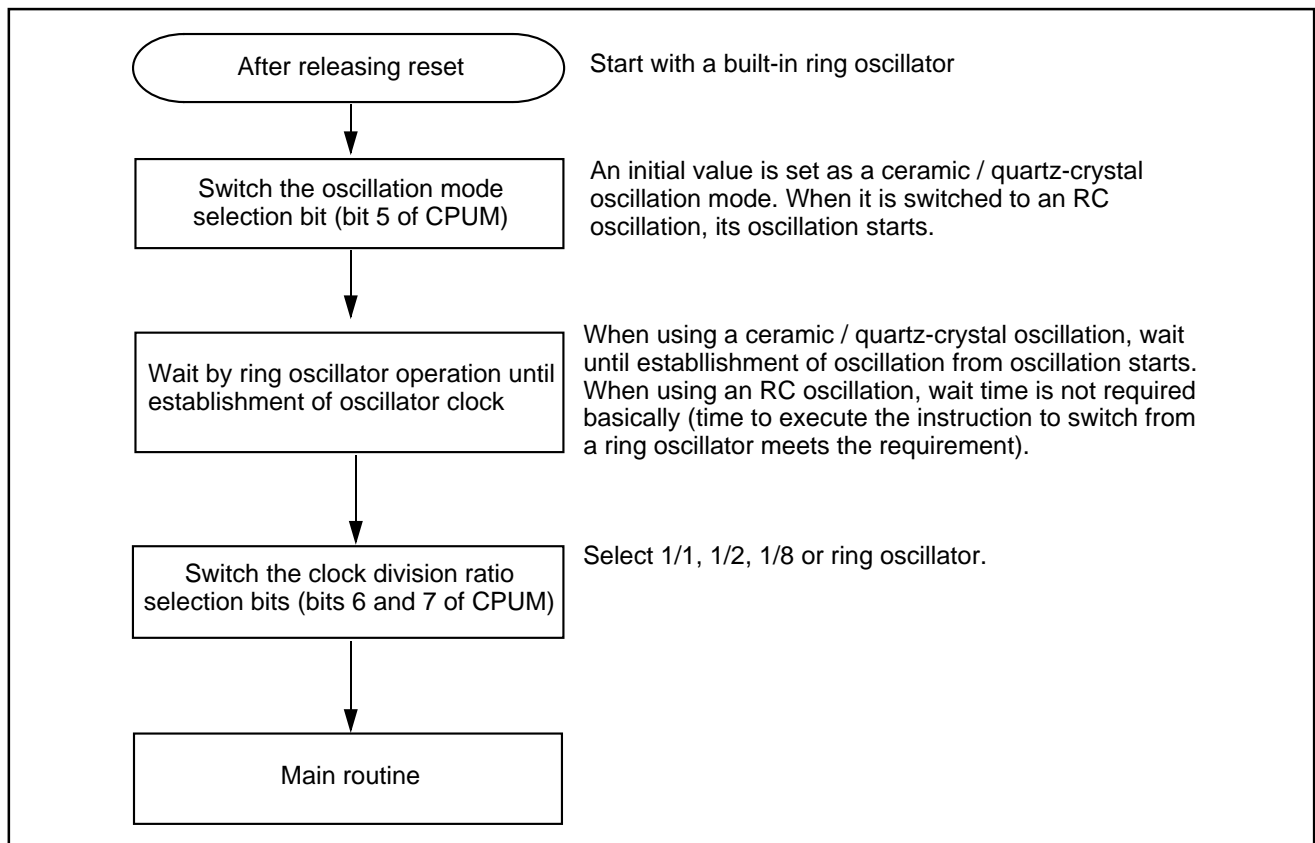


Fig. 10 Switching method of CPU mode register

PRELIMINARY
 Notice: This is not a final specification.
 Some parametric limits are subject to change.

Memory

Special function register (SFR) area

The SFR area in the zero page contains control registers such as I/O ports and timers.

RAM

RAM is used for data storage and for a stack area of subroutine calls and interrupts.

ROM

The first 128 bytes and the last 2 bytes of ROM are reserved for device testing and the rest is a user area for storing programs.

Interrupt vector area

The interrupt vector area contains reset and interrupt vectors.

Zero page

The 256 bytes from addresses 0000₁₆ to 00FF₁₆ are called the zero page area. The internal RAM and the special function registers (SFR) are allocated to this area.

The zero page addressing mode can be used to specify memory and register addresses in the zero page area. Access to this area with only 2 bytes is possible in the zero page addressing mode.

Special page

The 256 bytes from addresses FF00₁₆ to FFFF₁₆ are called the special page area. The special page addressing mode can be used to specify memory addresses in the special page area. Access to this area with only 2 bytes is possible in the special page addressing mode.

■ Notes on use

The content of RAM is undefined when the microcomputer is reset. The initial values must be surely set before you use it.

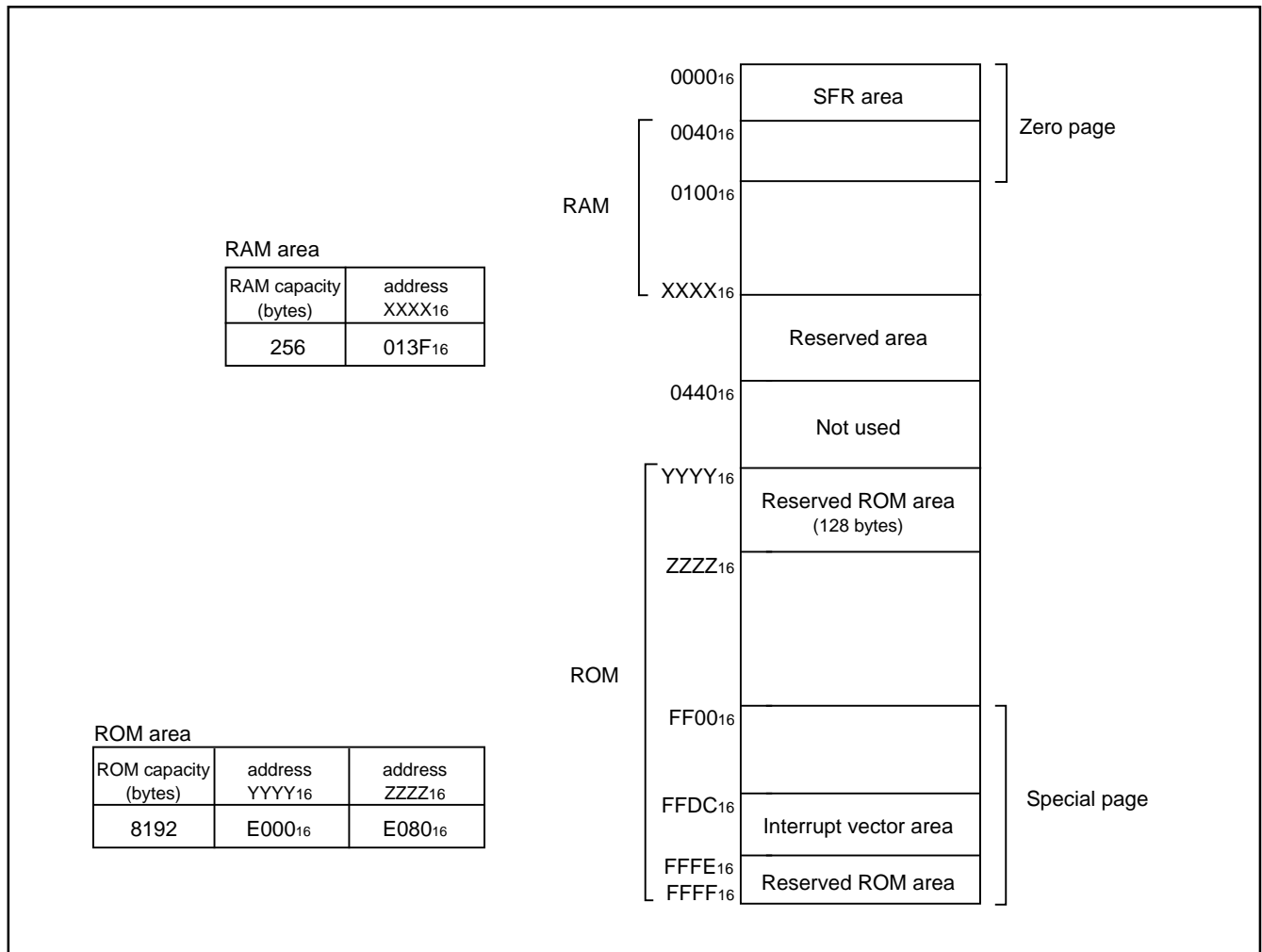


Fig. 11 Memory map diagram

PRELIMINARY
 Notice: This is not a final specification.
 Some parametric limits are subject to change.

0000 ₁₆	Port P0 (P0)	0020 ₁₆	Reserved
0001 ₁₆	Port P0 direction register (P0D)	0021 ₁₆	Reserved
0002 ₁₆	Port P1 (P1)	0022 ₁₆	Reserved
0003 ₁₆	Port P1 direction register (P1D)	0023 ₁₆	Reserved
0004 ₁₆	Port P2 (P2)	0024 ₁₆	Reserved
0005 ₁₆	Port P2 direction register (P2D)	0025 ₁₆	Reserved
0006 ₁₆	Port P3 (P3)	0026 ₁₆	Reserved
0007 ₁₆	Port P3 direction register (P3D)	0027 ₁₆	Reserved
0008 ₁₆	Reserved	0028 ₁₆	Prescaler 1 (PRE1)
0009 ₁₆	Reserved	0029 ₁₆	Timer 1 (T1)
000A ₁₆	Reserved	002A ₁₆	Reserved
000B ₁₆	Reserved	002B ₁₆	Timer X mode register (TXM)
000C ₁₆	Reserved	002C ₁₆	Prescaler X (PREX)
000D ₁₆	Reserved	002D ₁₆	Timer X (TX)
000E ₁₆	Reserved	002E ₁₆	Timer count source set register1 (TCSS1)
000F ₁₆	Reserved	002F ₁₆	Timer count source set register2 (TCSS2)
0010 ₁₆	Reserved	0030 ₁₆	Reserved
0011 ₁₆	Reserved	0031 ₁₆	Reserved
0012 ₁₆	Reserved	0032 ₁₆	Reserved
0013 ₁₆	Reserved	0033 ₁₆	Reserved
0014 ₁₆	Reserved	0034 ₁₆	A-D control register (ADCON)
0015 ₁₆	Reserved	0035 ₁₆	A-D register (AD)
0016 ₁₆	Pull-up control register (PULL)	0036 ₁₆	Reserved
0017 ₁₆	Port P1P3 control register (P1P3C)	0037 ₁₆	Reserved
0018 ₁₆	Transmit/Receive buffer register (TB/RB)	0038 ₁₆	MISRG
0019 ₁₆	Serial I/O status register (SIOSTS)	0039 ₁₆	Watchdog timer control register (WDTCON)
001A ₁₆	Serial I/O control register (SIOCON)	003A ₁₆	Interrupt edge selection register (INTEDGE)
001B ₁₆	UART control register (UARTCON)	003B ₁₆	CPU mode register (CPUM)
001C ₁₆	Baud rate generator (BRG)	003C ₁₆	Interrupt request register 1 (IREQ1)
001D ₁₆	Timer A mode register (TAM)	003D ₁₆	Interrupt request register 2 (IREQ2)
001E ₁₆	Timer A (low-order) (TAL)	003E ₁₆	Interrupt control register 1 (ICON1)
001F ₁₆	Timer A (high-order) (TAH)	003F ₁₆	Interrupt control register 2 (ICON2)

Note : Do not access to the SFR area including nothing.

Fig. 12 Memory map of special function register (SFR)

PRELIMINARY
 Notice: This is not a final specification.
 Some parametric limits are subject to change.

I/O Ports

[Direction registers] PiD

The I/O ports have direction registers which determine the input/output direction of each pin. Each bit in a direction register corresponds to one pin, and each pin can be set to be input or output. When "1" is set to the bit corresponding to a pin, this pin becomes an output port. When "0" is set to the bit, the pin becomes an input port.

When data is read from a pin set to output, not the value of the pin itself but the value of port latch is read. Pins set to input are floating, and permit reading pin values.

If a pin set to input is written to, only the port latch is written to and the pin remains floating.

[Pull-up control register] PULL

By setting the pull-up control register (address 001616), ports P0 and P3 can exert pull-up control by program. However, pins set to output are disconnected from this control and cannot exert pull-up control.

[Port P1P3 control register] P1P3C

By setting the port P1P3 control register (address 001716), a CMOS input level or a TTL input level can be selected for ports P10, P12, P34 and P37 by program.

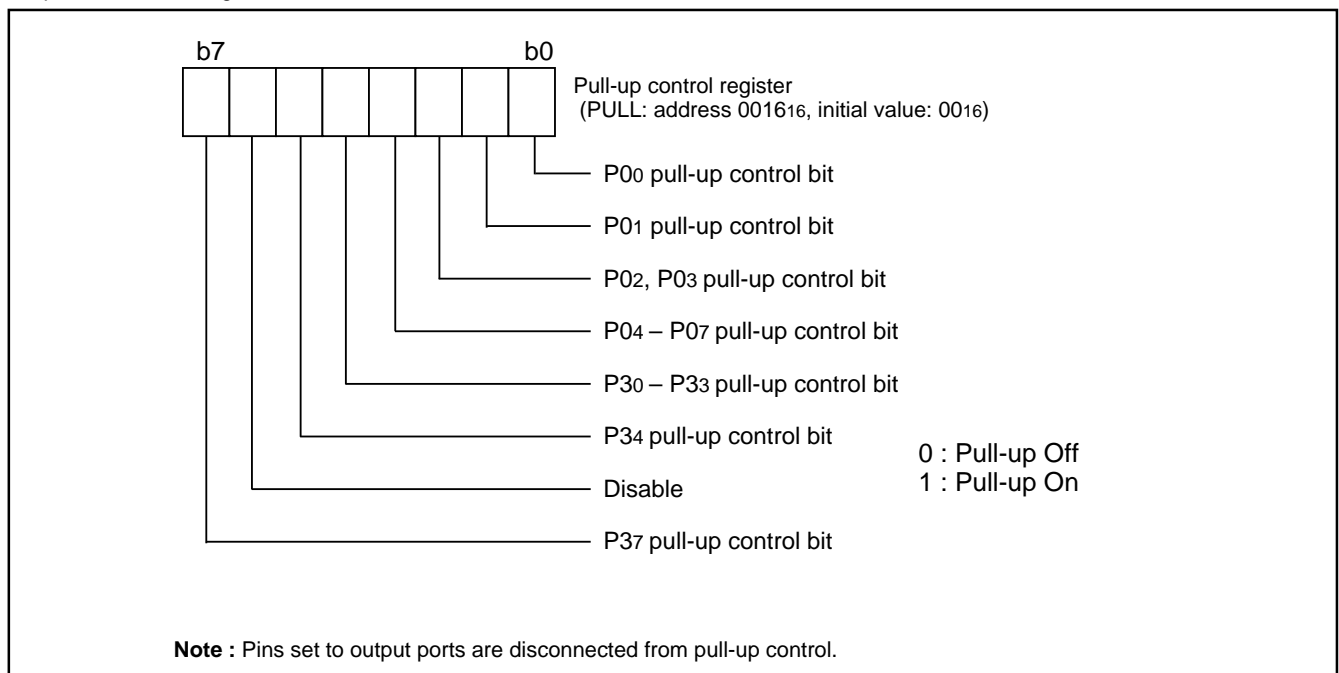


Fig. 13 Structure of pull-up control register

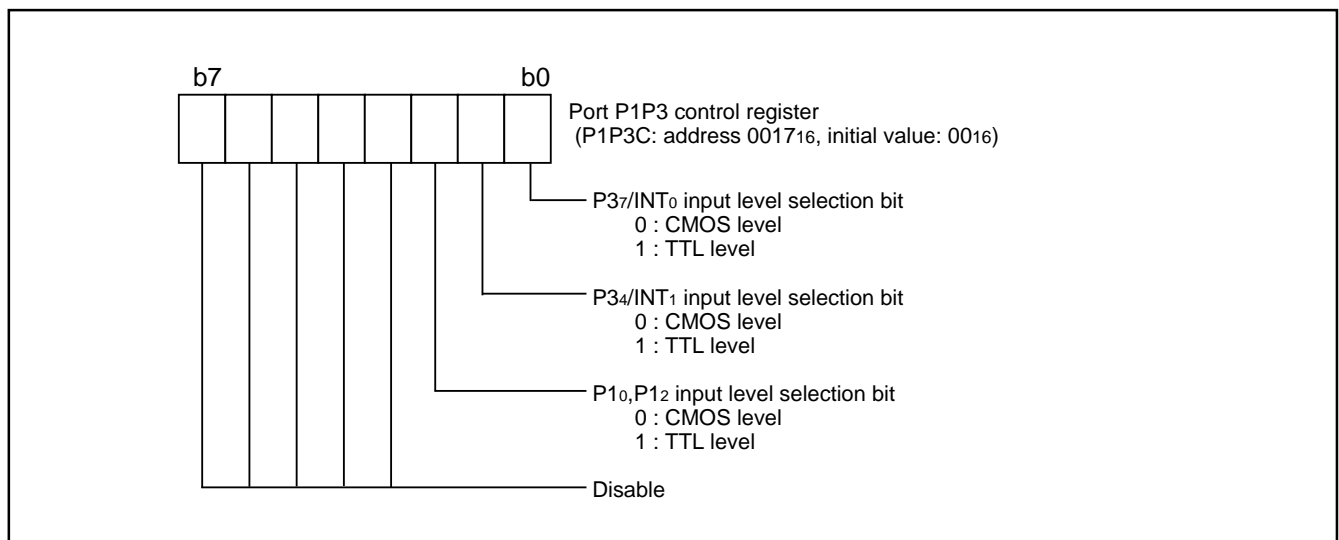


Fig. 14 Structure of port P1P3 control register

PRELIMINARY
 Notice: This is not a final specification.
 Some parametric limits are subject to change.

Table 5 I/O port function table

Pin	Name	Input/output	I/O format	Non-port function	Related SFRs	Diagram No.
P00/CNTR1 P01 P02 P03/TXOUT P04–P07	I/O port P0	I/O individual bits	•CMOS compatible input level •CMOS 3-state output (Note)	Key input interrupt Timer X function output Timer A function input	Pull-up control register Timer X mode register Timer A mode register Interrupt edge selection register	(1) (2) (3)
P10/RxD P11/TxD P12/SCLK P13/SRDY	I/O port P1			Serial I/O function input/output	Serial I/O control register Port P1P3 control register	(4) (5) (6) (7)
P14/CNTR0				Timer X function input/output	Timer X mode register	(8)
P20/AN0– P25/AN5	I/O port P2			A-D conversion input	A-D control register	(9)
P30–P33	I/O port P3				Pull-up control register	(10)
P34/INT1 P37/INT0				External interrupt input	Interrupt edge selection register Pull-up control register Port P1P3 control register	(11)

Note : Ports P10, P12, P34 and P37 are CMOS/TTL level.

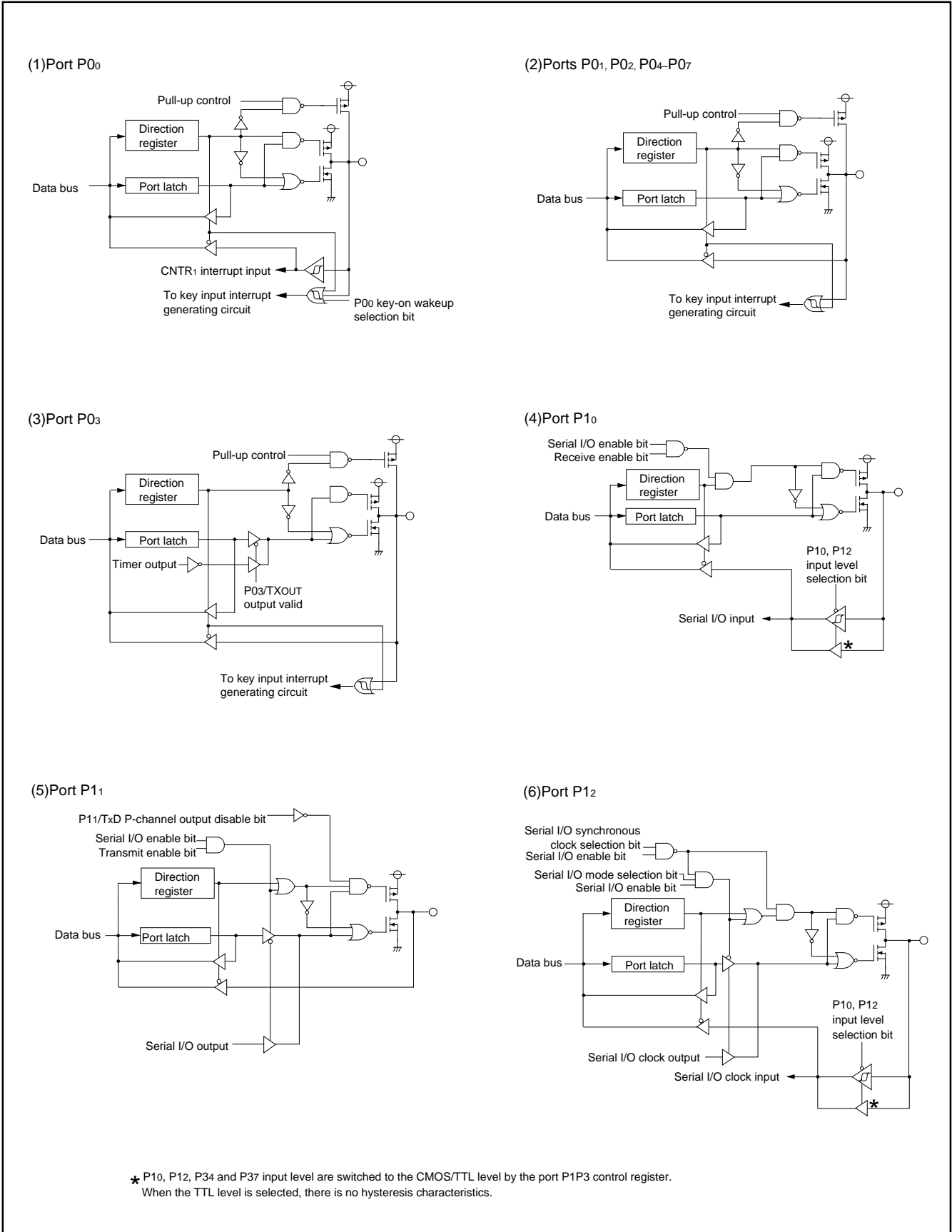
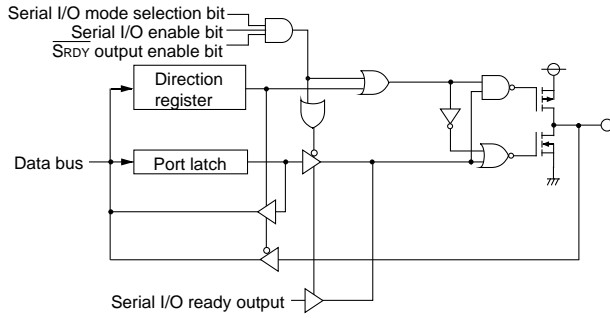
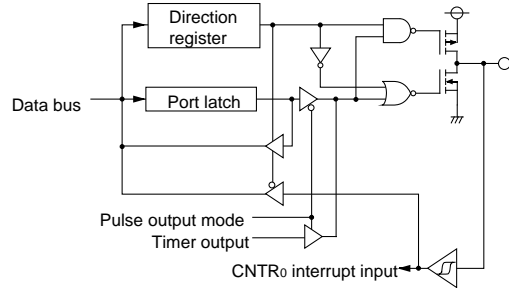


Fig. 15 Block diagram of ports (1)

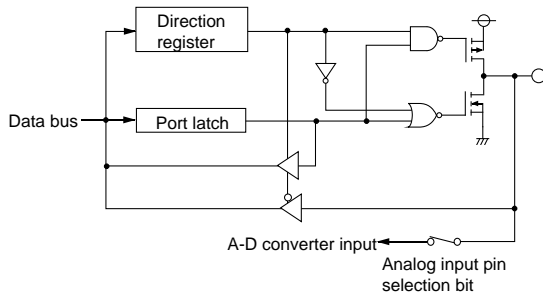
(7) Port P13



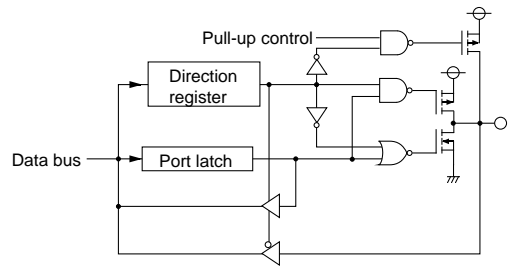
(8) Port P14



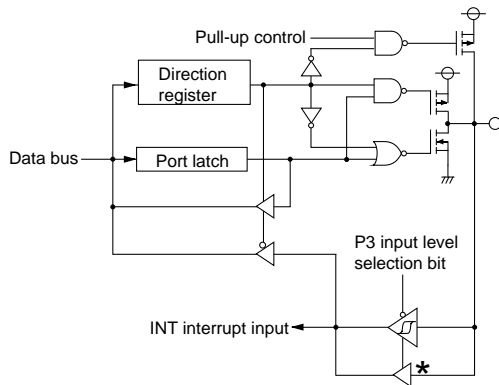
(9) Ports P20–P25



(10) Ports P30–P33



(11) Ports P34, P37



* P10, P12, P34 and P37 input level are switched to the CMOS/TTL level by the port P1P3 control register.
 When the TTL level is selected, there is no hysteresis characteristics.

Fig. 16 Block diagram of ports (2)

PRELIMINARY
 Notice: This is not a final specification.
 Some parametric limits are subject to change.

Interrupts

Interrupts occur by 12 different sources : 5 external sources, 6 internal sources and 1 software source.

Interrupt control

All interrupts except the BRK instruction interrupt have an interrupt request bit and an interrupt enable bit, and they are controlled by the interrupt disable flag. When the interrupt enable bit and the interrupt request bit are set to "1" and the interrupt disable flag is set to "0", an interrupt is accepted.

The interrupt request bit can be cleared by program but not be set. The interrupt enable bit can be set and cleared by program.

The reset and BRK instruction interrupt can never be disabled with any flag or bit. All interrupts except these are disabled when the interrupt disable flag is set.

When several interrupts occur at the same time, the interrupts are received according to priority.

Interrupt operation

Upon acceptance of an interrupt the following operations are automatically performed:

1. The processing being executed is stopped.
2. The contents of the program counter and processor status register are automatically pushed onto the stack.
3. The interrupt disable flag is set and the corresponding interrupt request bit is cleared.
4. Concurrently with the push operation, the interrupt destination address is read from the vector table into the program counter.

■ Notes on use

When setting the followings, the interrupt request bit may be set to "1".

•When setting external interrupt active edge

Related register: Interrupt edge selection register (address 003A16)

Timer X mode register (address 2B16)

Timer A mode register (address 1D16)

When not requiring the interrupt occurrence synchronized with these setting, take the following sequence.

- ① Set the corresponding interrupt enable bit to "0" (disabled).
- ② Set the interrupt edge select bit (active edge switch bit) to "1".
- ③ Set the corresponding interrupt request bit to "0" after 1 or more instructions have been executed.
- ④ Set the corresponding interrupt enable bit to "1" (enabled).

Table 6 Interrupt vector address and priority

Interrupt source	Priority	Vector addresses (Note 1)		Interrupt request generating conditions	Remarks
		High-order	Low-order		
Reset (Note 2)	1	FFFD ₁₆	FFFC ₁₆	At reset input	Non-maskable
Serial I/O receive	2	FFFB ₁₆	FFFA ₁₆	At completion of serial I/O data receive	
Serial I/O transmit	3	FFF9 ₁₆	FFF8 ₁₆	At completion of serial I/O transmit shift or when transmit buffer is empty	
INT ₀	4	FFF7 ₁₆	FFF6 ₁₆	At detection of either rising or falling edge of INT ₀ input	External interrupt (active edge selectable)
INT ₁	5	FFF5 ₁₆	FFF4 ₁₆	At detection of either rising or falling edge of INT ₁ input	External interrupt (active edge selectable)
Key-on wake-up	6	FFF3 ₁₆	FFF2 ₁₆	At falling of conjunction of input logical level for port P0 (at input)	External interrupt (valid at falling)
CNTR ₀	7	FFF1 ₁₆	FFF0 ₁₆	At detection of either rising or falling edge of CNTR ₀ input	External interrupt (active edge selectable)
CNTR ₁	8	FFEF ₁₆	FFEE ₁₆	At detection of either rising or falling edge of CNTR ₁ input	External interrupt (active edge selectable)
Timer X	9	FFED ₁₆	FFEC ₁₆	At timer X underflow	
Reserved area	—	FFEB ₁₆	FFEA ₁₆	Not available	
Reserved area	—	FFE9 ₁₆	FFE8 ₁₆	Not available	
Timer A	10	FFE7 ₁₆	FFE6 ₁₆	At timer A underflow	
Reserved area	—	FFE5 ₁₆	FFE4 ₁₆	Not available	
A-D conversion	11	FFE3 ₁₆	FFE2 ₁₆	At completion of A-D conversion	
Timer 1	12	FFE1 ₁₆	FFE0 ₁₆	At timer 1 underflow	STP release timer underflow
Reserved area	—	FFDF ₁₆	FFDE ₁₆	Not available	
BRK instruction	13	FFDD ₁₆	FFDC ₁₆	At BRK instruction execution	Non-maskable software interrupt

Notes 1: Vector addresses contain internal jump destination addresses.

2: Reset function in the same way as an interrupt with the highest priority.

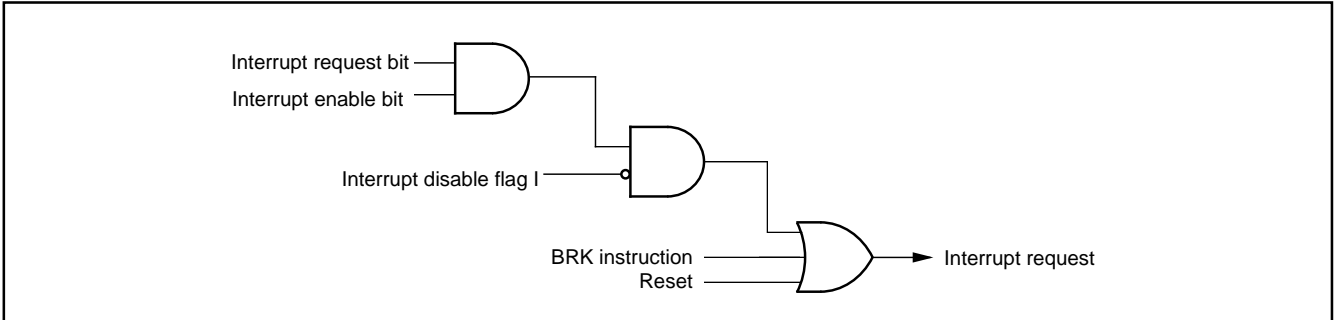


Fig. 17 Interrupt control

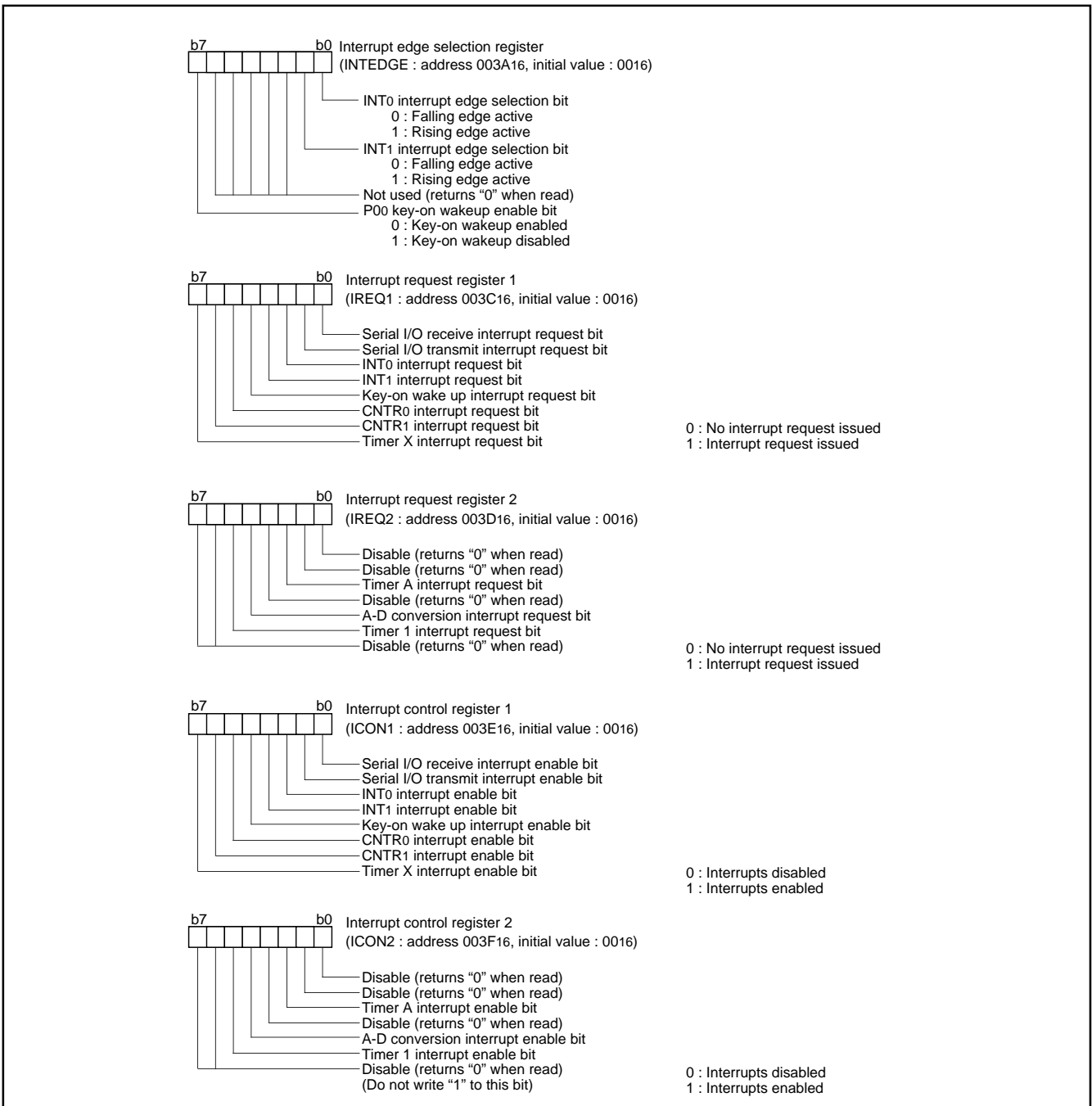


Fig. 18 Structure of Interrupt-related registers

PRELIMINARY
 Notice: This is not a final specification.
 Some parametric limits are subject to change.

Key Input Interrupt (Key-On Wake-Up)

A key-on wake-up interrupt request is generated by applying "L" level to any pin of port P0 that has been set to input mode.

In other words, it is generated when the AND of input level goes from "1" to "0". An example of using a key input interrupt is shown in Figure 21, where an interrupt request is generated by pressing one of the keys provided as an active-low key matrix which uses ports P00 to P03 as input ports.

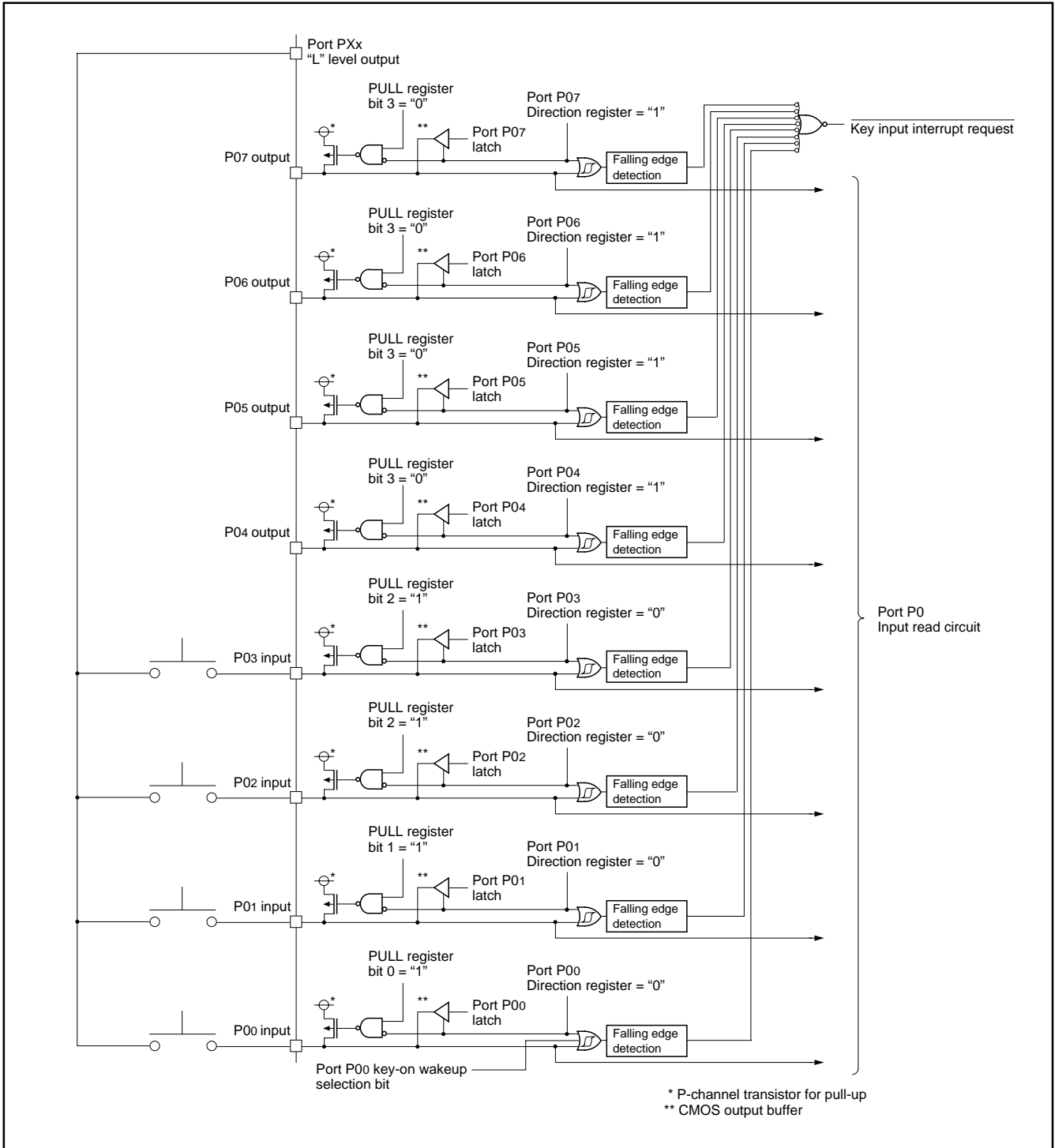


Fig. 19 Connection example when using key input interrupt and port P0 block diagram

PRELIMINARY
 Notice: This is not a final specification.
 Some parametric limits are subject to change.

Timers

The 7544 Group has 3 timers: timer 1, timer A and timer X.

The division ratio of every timer and prescaler is $1/(n+1)$ provided that the value of the timer latch or prescaler is n .

All the timers are down count timers. When a timer reaches "0", an underflow occurs at the next count pulse, and the corresponding timer latch is reloaded into the timer. When a timer underflows, the interrupt request bit corresponding to each timer is set to "1".

●Timer 1

Timer 1 is an 8-bit timer and counts the prescaler output.

When Timer 1 underflows, the timer 1 interrupt request bit is set to "1".

Prescaler 1 is an 8-bit prescaler and counts the signal selected by the timer 1 count source selection bit.

Prescaler 1 and Timer 1 have the prescaler 1 latch and the timer 1 latch to retain the reload value, respectively. The value of prescaler 1 latch is set to Prescaler 1 when Prescaler 1 underflows. The value of timer 1 latch is set to Timer 1 when Timer 1 underflows.

When writing to Prescaler 1 (PRE1) is executed, the value is written to both the prescaler 1 latch and Prescaler 1.

When writing to Timer 1 (T1) is executed, the value is written to both the timer 1 latch and Timer 1.

When reading from Prescaler 1 (PRE1) and Timer 1 (T1) is executed, each count value is read out.

Timer 1 always operates in the timer mode.

Prescaler 1 counts the signal selected by the timer 1 count source selection bit. Each time the count clock is input, the contents of Prescaler 1 is decremented by 1. When the contents of Prescaler 1 reach "0016", an underflow occurs at the next count clock, and the prescaler 1 latch is reloaded into Prescaler 1 and count continues. The division ratio of Prescaler 1 is $1/(n+1)$ provided that the value of Prescaler 1 is n .

The contents of Timer 1 is decremented by 1 each time the underflow signal of Prescaler 1 is input. When the contents of Timer 1 reach "0016", an underflow occurs at the next count clock, and the timer 1 latch is reloaded into Timer 1 and count continues. The division ratio of Timer 1 is $1/(m+1)$ provided that the value of Timer 1 is m . Accordingly, the division ratio of Prescaler 1 and Timer 1 is $1/((n+1) \times (m+1))$ provided that the value of Prescaler 1 is n and the value of Timer 1 is m .

Timer 1 cannot stop counting by software.

●Timer A

Timer A is a 16-bit timer and counts the signal selected by the timer A count source selection bit. When Timer A underflows, the timer A interrupt request bit is set to "1".

Timer A consists of the low-order of Timer A (TAL) and the high-order of Timer A (TAH).

Timer A has the timer A latch to retain the reload value. The value of timer A latch is set to Timer A at the timing shown below.

- When Timer A underflows.
- When an active edge is input from CNTR1 pin (valid only when period measurement mode and pulse width HL continuously measurement mode).

When writing to both the low-order of Timer A (TAL) and the high-order of Timer A (TAH) is executed, the value is written to both the timer A latch and Timer A.

When reading from the low-order of Timer A (TAL) and the high-order of Timer A (TAH) is executed, the following values are read out according to the operating mode.

- In timer mode, event counter mode:
The count value of Timer A is read out.
- In period measurement mode, pulse width HL continuously measurement mode:
The measured value is read out.

Be sure to write to/read out the low-order of Timer A (TAL) and the high-order of Timer A (TAH) in the following order;

Read

Read the high-order of Timer A (TAH) first, and the low-order of Timer A (TAL) next and be sure to read out both TAH and TAL.

Write

Write to the low-order of Timer A (TAL) first, and the high-order of Timer A (TAH) next and be sure to write to both TAL and TAH.

Timer A can be selected in one of 4 operating modes by setting the timer A mode register.

(1) Timer mode

Timer A counts the selected by the timer A count source selection bit. Each time the count clock is input, the contents of Timer A is decremented by 1. When the contents of Timer A reach "000016", an underflow occurs at the next count clock, and the timer A latch is reloaded into Timer A. The division ratio of Timer A is $1/(n+1)$ provided that the value of Timer A is n .

(2) Period measurement mode

In the period measurement mode, the pulse period input from the P00/CNTR1 pin is measured.

CNTR1 interrupt request is generated at rising/falling edge of CNTR1 pin input signal. Simultaneously, the value in the timer A latch is reloaded in Timer A and count continues. The active edge of CNTR1 pin input signal can be selected from rising or falling by the CNTR1 active edge switch bit. The count value when trigger input from CNTR1 pin is accepted is retained until Timer A is read once.

PRELIMINARY
 Notice: This is not a final specification.
 Some parametric limits are subject to change.

(3) Event counter mode

Timer A counts signals input from the P00/CNTR1 pin.
 Except for this, the operation in event counter mode is the same as in timer mode.
 The active edge of CNTR1 pin input signal can be selected from rising or falling by the CNTR1 active edge switch bit .

(4) Pulse width HL continuously measurement mode

In the pulse width HL continuously measurement mode, the pulse width (“H” and “L” levels) input to the P00/CNTR1 pin is measured. CNTR1 interrupt request is generated at both rising and falling edges of CNTR1 pin input signal. Except for this, the operation in pulse width HL continuously measurement mode is the same as in period measurement mode.
 The count value when trigger input from the CNTR1 pin is accepted is retained until Timer A is read once.

Timer A can stop counting by setting “1” to the timer A count stop bit in any mode.
 Also, when Timer A underflows, the timer A interrupt request bit is set to “1”.

Note on Timer A is described below;

■ Note on Timer A

CNTR1 interrupt active edge selection
 CNTR1 interrupt active edge depends on the CNTR1 active edge switch bit.
 When this bit is “0”, the CNTR1 interrupt request bit is set to “1” at the falling edge of the CNTR1 pin input signal. When this bit is “1”, the CNTR1 interrupt request bit is set to “1” at the rising edge of the CNTR1 pin input signal.
 However, in the pulse width HL continuously measurement mode, CNTR1 interrupt request is generated at both rising and falling edges of CNTR1 pin input signal regardless of the setting of CNTR1 active edge switch bit.

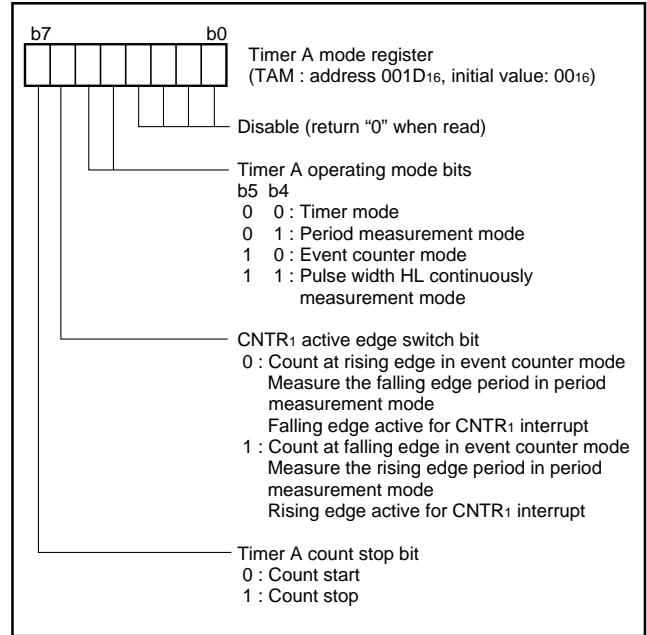


Fig. 20 Structure of timer A mode register

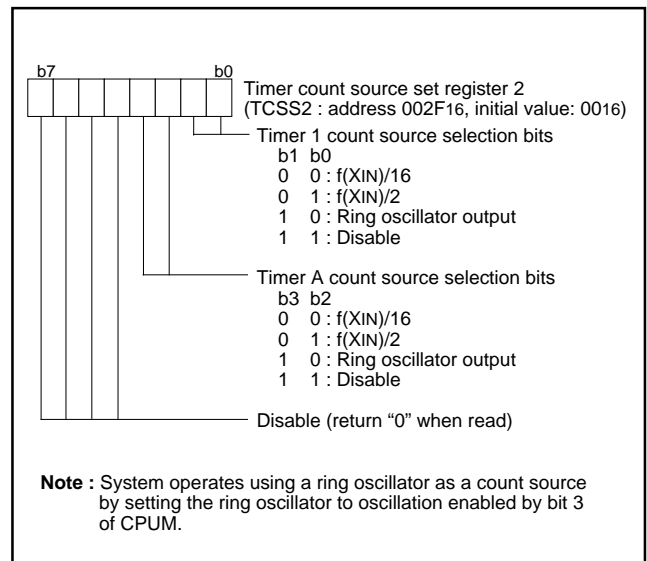


Fig. 21 Timer count source set register 2

PRELIMINARY
 Notice: This is not a final specification.
 Some parametric limits are subject to change.

●Timer X

Timer X is an 8-bit timer and counts the prescaler X output. When Timer X underflows, the timer X interrupt request bit is set to "1".

Prescaler X is an 8-bit prescaler and counts the signal selected by the timer X count source selection bit.

Prescaler X and Timer X have the prescaler X latch and the timer X latch to retain the reload value, respectively. The value of prescaler X latch is set to Prescaler X when Prescaler X underflows. The value of timer X latch is set to Timer X when Timer X underflows.

When writing to Prescaler X (PREX) and Timer X (TX) is executed, writing to "latch only" or "latch and prescaler (timer)" can be selected by the setting value of the timer X write control bit.

When reading from Prescaler X (PREX) and Timer X (TX) is executed, each count value is read out.

Timer X can be selected in one of 4 operating modes by setting the timer X operating mode bits of the timer X mode register.

(1) Timer mode

Prescaler X counts the count source selected by the timer X count source selection bits. Each time the count clock is input, the contents of Prescaler X is decremented by 1. When the contents of Prescaler X reach "0016", an underflow occurs at the next count clock, and the prescaler X latch is reloaded into Prescaler X and count continues. The division ratio of Prescaler X is $1/(n+1)$ provided that the value of Prescaler X is n.

The contents of Timer X is decremented by 1 each time the underflow signal of Prescaler X is input. When the contents of Timer X reach "0016", an underflow occurs at the next count clock, and the timer X latch is reloaded into Timer X and count continues. The division ratio of Timer X is $1/(m+1)$ provided that the value of Timer X is m. Accordingly, the division ratio of Prescaler X and Timer X is $1/((n+1) \times (m+1))$ provided that the value of Prescaler X is n and the value of Timer X is m.

(2) Pulse output mode

In the pulse output mode, the waveform whose polarity is inverted each time timer X underflows is output from the CNTR0 pin.

The output level of CNTR0 pin can be selected by the CNTR0 active edge switch bit. When the CNTR0 active edge switch bit is "0", the output of CNTR0 pin is started at "H" level. When this bit is "1", the output is started at "L" level.

Also, the inverted waveform of pulse output from CNTR0 pin can be output from TXOUT pin by setting "1" to the P03/TXOUT output valid bit.

When using a timer in this mode, set the port P14 and P03 direction registers to output mode.

(3) Event counter mode

The timer A counts signals input from the P14/CNTR0 pin.

Except for this, the operation in event counter mode is the same as in timer mode.

The active edge of CNTR0 pin input signal can be selected from rising or falling by the CNTR0 active edge switch bit.

(4) Pulse width measurement mode

In the pulse width measurement mode, the pulse width of the signal input to P14/CNTR0 pin is measured.

The operation of Timer X can be controlled by the level of the signal input from the CNTR0 pin.

When the CNTR0 active edge switch bit is "0", the signal selected by the timer X count source selection bit is counted while the input signal level of CNTR0 pin is "H". The count is stopped while the pin is "L". Also, when the CNTR0 active edge switch bit is "1", the signal selected by the timer X count source selection bit is counted while the input signal level of CNTR0 pin is "L". The count is stopped while the pin is "H".

Timer X can stop counting by setting "1" to the timer X count stop bit in any mode.

Also, when Timer X underflows, the timer X interrupt request bit is set to "1".

Note on Timer X is described below;

■ Note on Timer X

CNTR0 interrupt active edge selection

CNTR0 interrupt active edge depends on the CNTR0 active edge switch bit.

When this bit is "0", the CNTR0 interrupt request bit is set to "1" at the falling edge of CNTR0 pin input signal. When this bit is "1", the CNTR0 interrupt request bit is set to "1" at the rising edge of CNTR0 pin input signal.

PRELIMINARY
 Notice: This is not a final specification.
 Some parametric limits are subject to change.

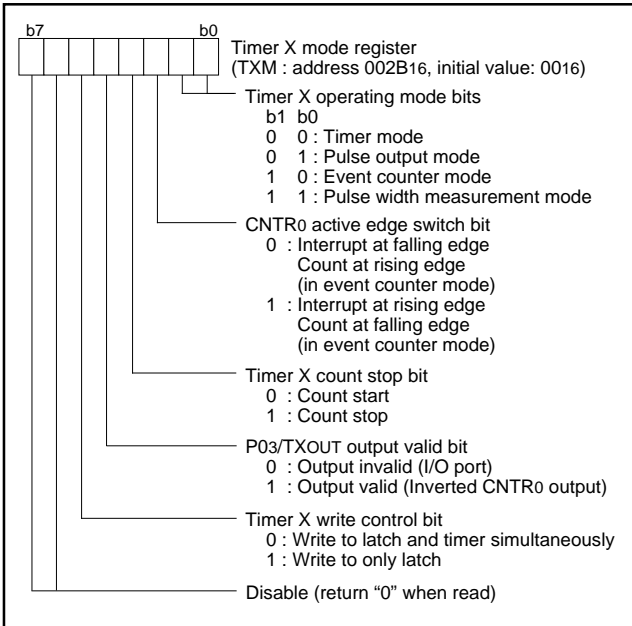


Fig. 22 Structure of timer X mode register

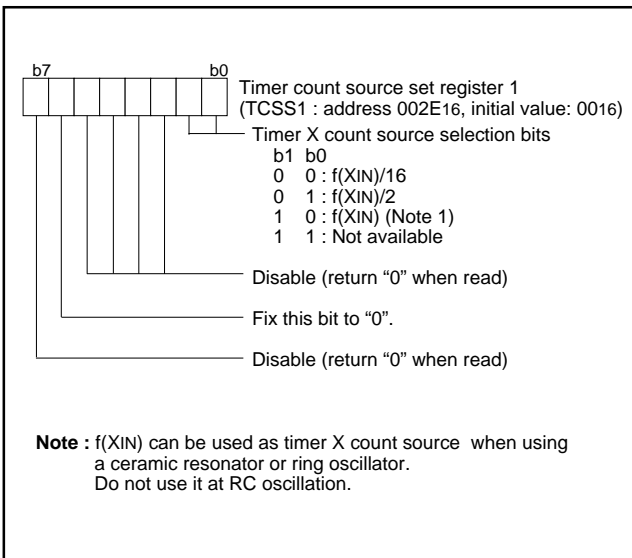


Fig. 23 Timer count source set register

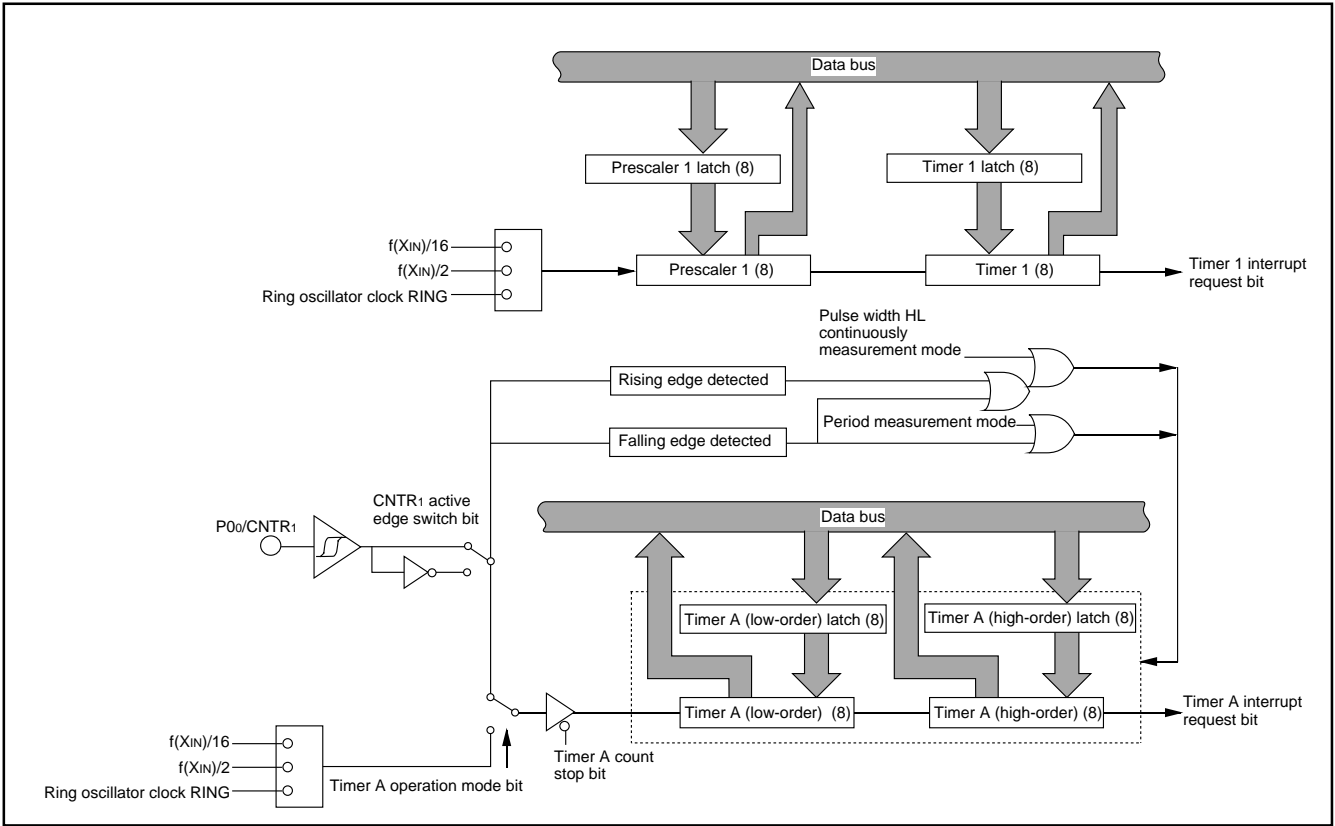


Fig. 24 Block diagram of timer 1 and timer A

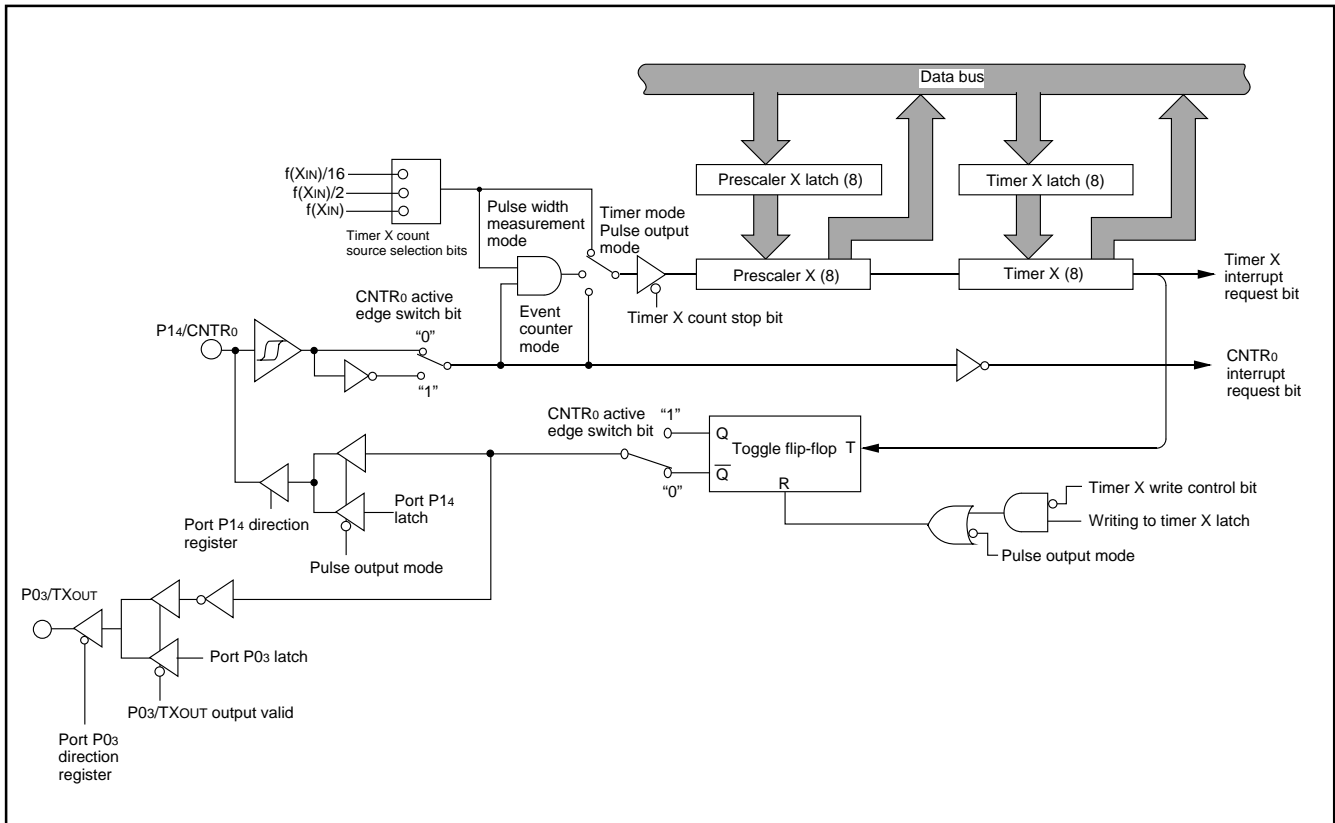


Fig. 25 Block diagram of timer X

Serial I/O
●Serial I/O

Serial I/O can be used as either clock synchronous or asynchronous (UART) serial I/O. A dedicated timer is also provided for baud rate generation.

(1) Clock Synchronous Serial I/O Mode

Clock synchronous serial I/O mode can be selected by setting the serial I/O mode selection bit of the serial I/O control register (bit 6) to "1".

For clock synchronous serial I/O, the transmitter and the receiver must use the same clock. If an internal clock is used, transfer is started by a write signal to the TB/RB.

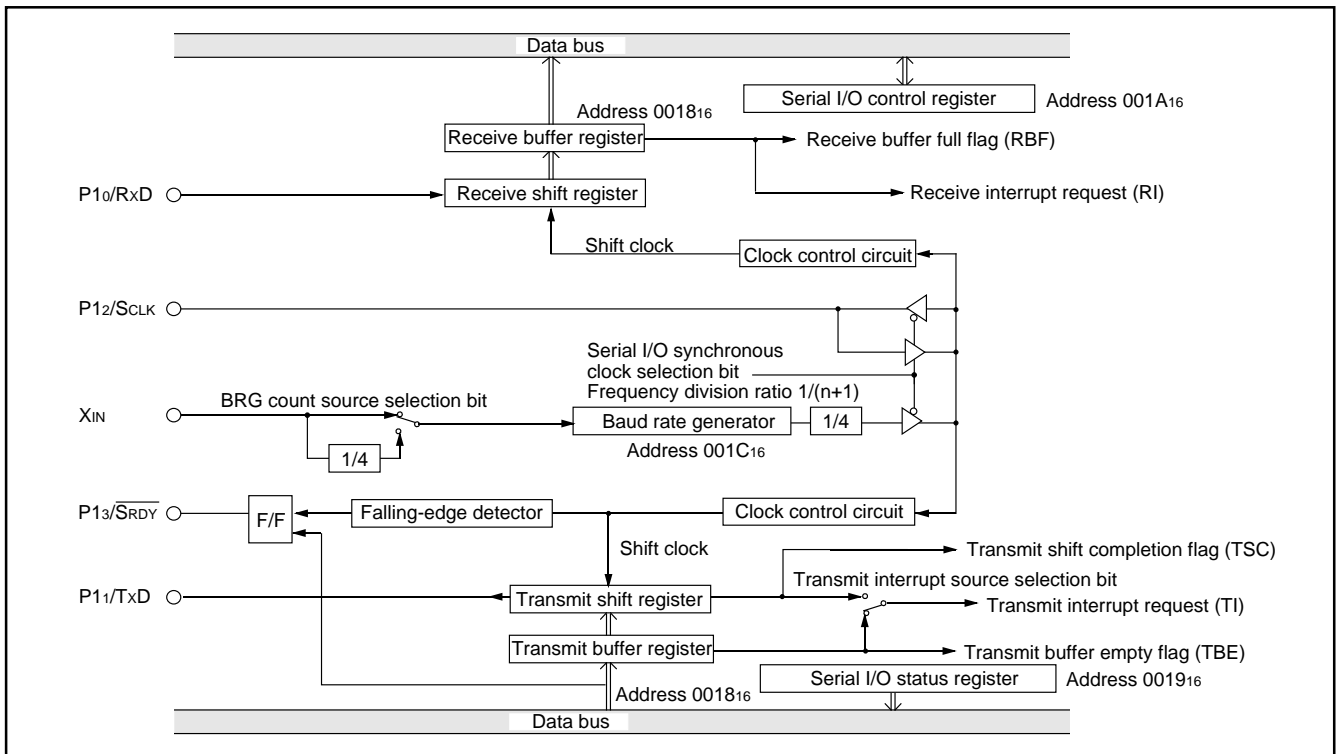


Fig. 26 Block diagram of clock synchronous serial I/O

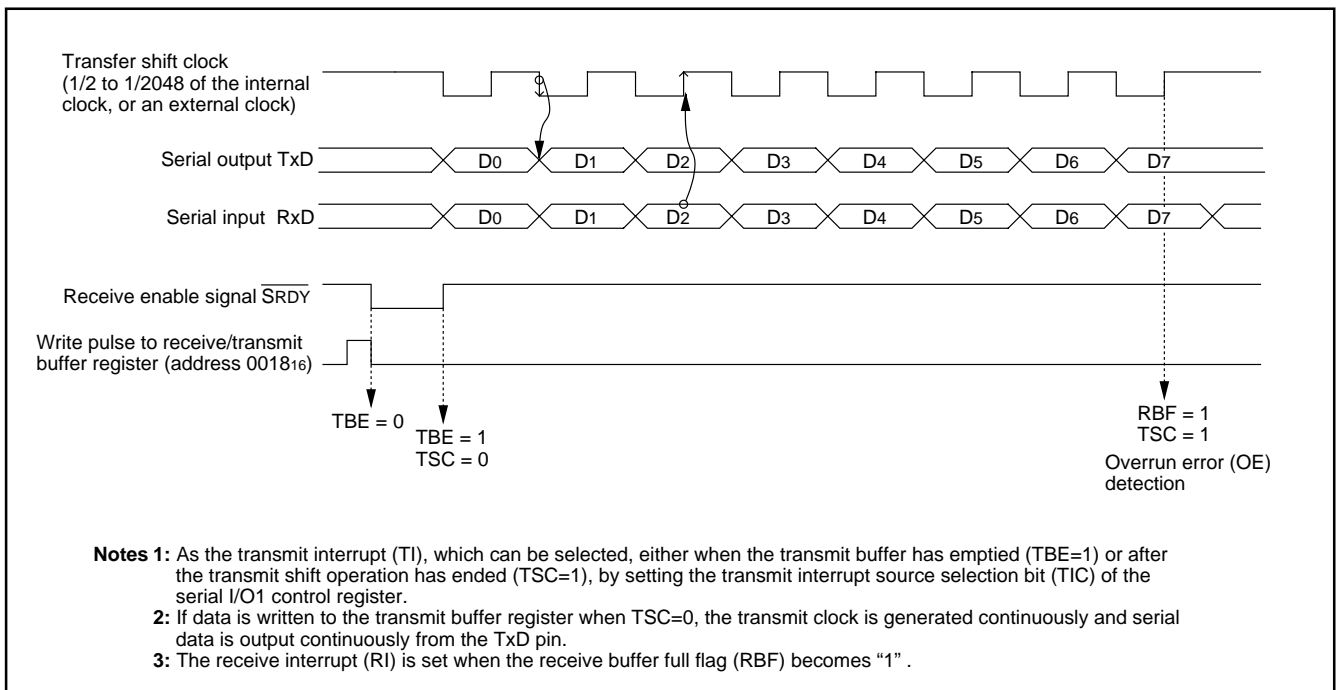


Fig. 27 Operation of clock synchronous serial I/O function

(2) Asynchronous Serial I/O (UART) Mode

Clock asynchronous serial I/O mode (UART) can be selected by clearing the serial I/O mode selection bit of the serial I/O control register to "0".

Eight serial data transfer formats can be selected, and the transfer formats used by a transmitter and receiver must be identical.

The transmit and receive shift registers each have a buffer, but the two buffers have the same address in memory. Since the shift register cannot be written to or read from directly, transmit data is written to the transmit buffer register, and receive data is read from the receive buffer register.

The transmit buffer register can also hold the next data to be transmitted, and the receive buffer register can hold a character while the next character is being received.

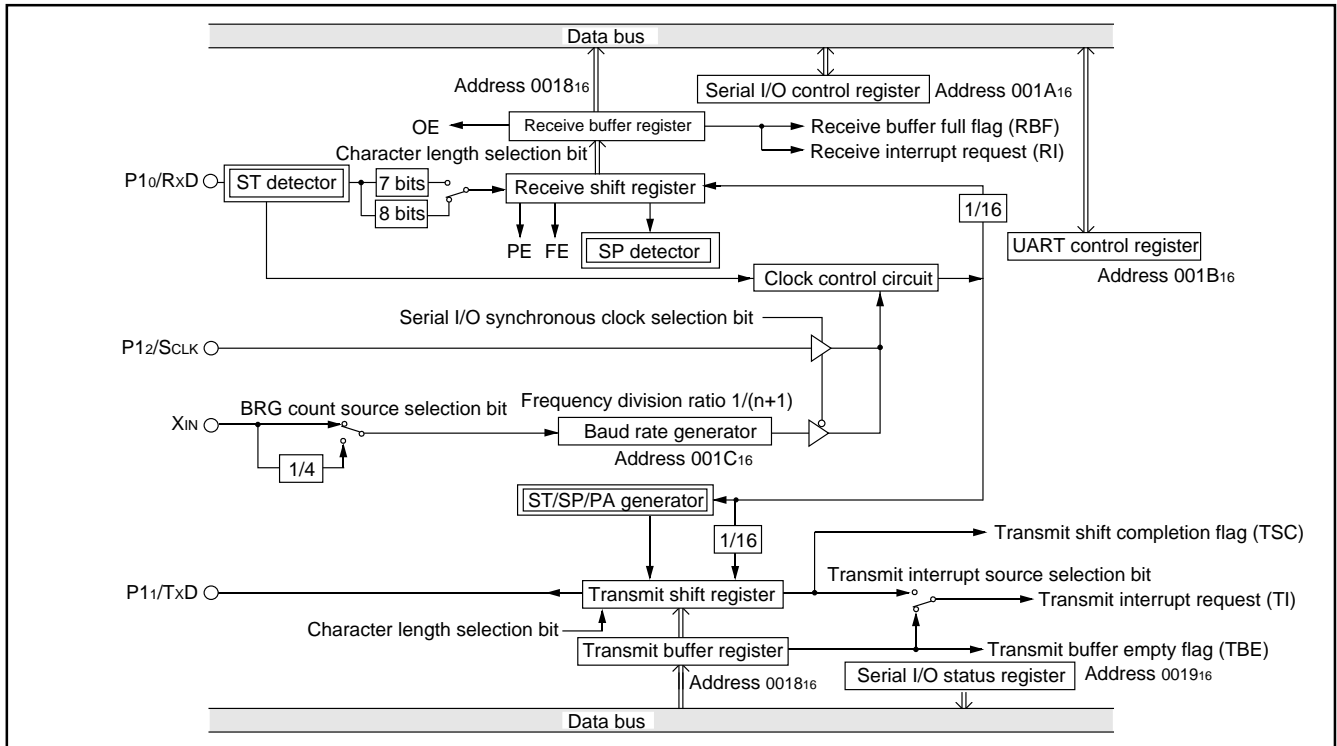


Fig. 28 Block diagram of UART serial I/O

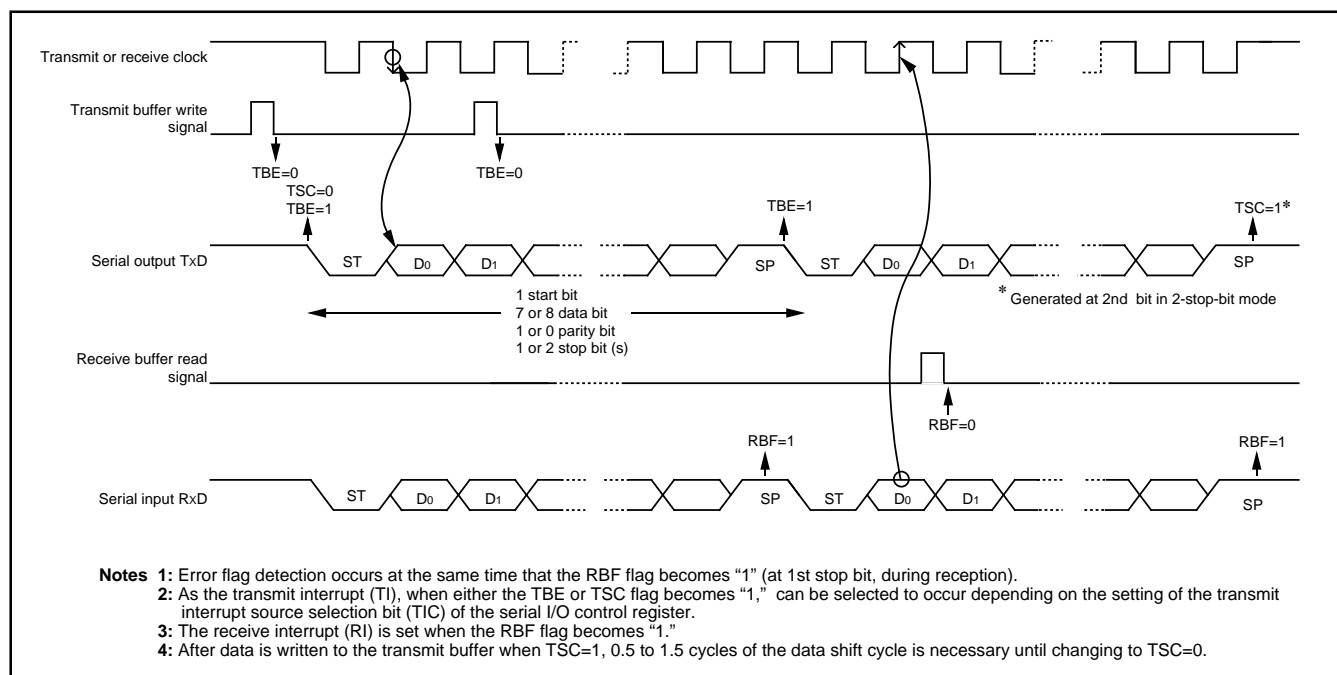


Fig. 29 Operation of UART serial I/O function

PRELIMINARY
 Notice: This is not a final specification.
 Some parametric limits are subject to change.

[Transmit buffer register/receive buffer register (TB/RB)] 0018₁₆

The transmit buffer register and the receive buffer register are located at the same address. The transmit buffer is write-only and the receive buffer is read-only. If a character bit length is 7 bits, the MSB of data stored in the receive buffer is "0".

[Serial I/O status register (SIOSTS)] 0019₁₆

The read-only serial I/O status register consists of seven flags (bits 0 to 6) which indicate the operating status of the serial I/O function and various errors.

Three of the flags (bits 4 to 6) are valid only in UART mode.

The receive buffer full flag (bit 1) is cleared to "0" when the receive buffer register is read.

If there is an error, it is detected at the same time that data is transferred from the receive shift register to the receive buffer register, and the receive buffer full flag is set. A write to the serial I/O status register clears all the error flags OE, PE, FE, and SE (bit 3 to bit 6, respectively). Writing "0" to the serial I/O enable bit SIOE (bit 7 of the serial I/O control register) also clears all the status flags, including the error flags.

Bits 0 to 6 of the serial I/O status register are initialized to "0" at reset, but if the transmit enable bit of the serial I/O control register has been set to "1", the transmit shift completion flag (bit 2) and the transmit buffer empty flag (bit 0) become "1".

[Serial I/O control register (SIOCON)] 001A₁₆

The serial I/O control register consists of eight control bits for the serial I/O function.

[UART control register (UARTCON)] 001B₁₆

The UART control register consists of four control bits (bits 0 to 3) which are valid when asynchronous serial I/O is selected and set the data format of a data transfer and one bit (bit 4) which is always valid and sets the output structure of the P11/TXD pin.

[Baud rate generator (BRG)] 001C₁₆

The baud rate generator determines the baud rate for serial transfer. The baud rate generator divides the frequency of the count source by $1/(n + 1)$, where n is the value written to the baud rate generator.

■ Notes on serial I/O

• Serial I/O interrupt

When setting the transmit enable bit to "1", the serial I/O transmit interrupt request bit is automatically set to "1". When not requiring the interrupt occurrence synchronized with the transmission enabled, take the following sequence.

- ① Set the serial I/O transmit interrupt enable bit to "0" (disabled).
- ② Set the transmit enable bit to "1".
- ③ Set the serial I/O transmit interrupt request bit to "0" after 1 or more instructions have been executed.
- ④ Set the serial I/O transmit interrupt enable bit to "1" (enabled).

• I/O pin function when serial I/O is enabled.

The functions of P12 and P13 are switched with the setting values of a serial I/O mode selection bit and a serial I/O synchronous clock selection bit as follows.

(1) Serial I/O mode selection bit → "1" :

Clock synchronous type serial I/O is selected.

Setup of a serial I/O synchronous clock selection bit

"0" : P12 pin turns into an output pin of a synchronous clock.

"1" : P12 pin turns into an input pin of a synchronous clock.

Setup of a SRDY output enable bit (SRDY)

"0" : P13 pin can be used as a normal I/O pin.

"1" : P13 pin turns into a SRDY output pin.

(2) Serial I/O mode selection bit → "0" :

Clock asynchronous (UART) type serial I/O is selected.

Setup of a serial I/O synchronous clock selection bit

"0" : P12 pin can be used as a normal I/O pin.

"1" : P12 pin turns into an input pin of an external clock.

When clock asynchronous (UART) type serial I/O is selected, it is P13 pin. It can be used as a normal I/O pin.

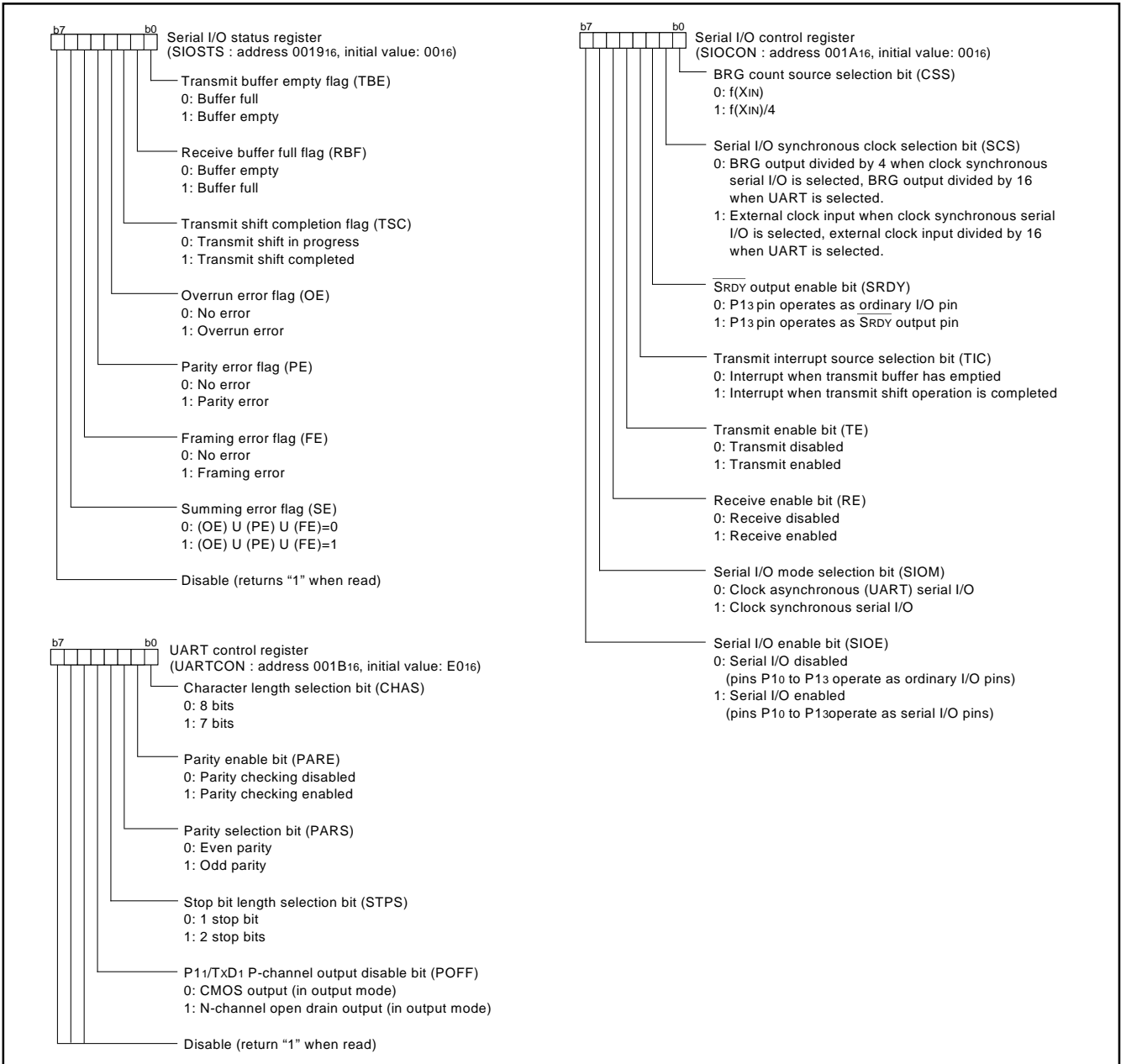


Fig. 30 Structure of serial I/O-related registers

PRELIMINARY
 Notice: This is not a final specification.
 Some parametric limits are subject to change.

A-D Converter

The functional blocks of the A-D converter are described below.

[A-D conversion register] AD

The A-D conversion register is a read-only register that stores the result of A-D conversion. Do not read out this register during an A-D conversion.

[A-D control register] ADCON

The A-D control register controls the A-D converter. Bit 2 to 0 are analog input pin selection bits. Bit 4 is the AD conversion completion bit. The value of this bit remains at "0" during A-D conversion, and changes to "1" at completion of A-D conversion. A-D conversion is started by setting this bit to "0".

[Comparison voltage generator]

The comparison voltage generator divides the voltage between AVSS and VREF by 256, and outputs the divided voltages.

[Channel selector]

The channel selector selects one of ports P25/AN5 to P20/AN0, and inputs the voltage to the comparator.

[Comparator and control circuit]

The comparator and control circuit compares an analog input voltage with the comparison voltage and stores its result into the A-D conversion register. When A-D conversion is completed, the control circuit sets the AD conversion completion bit and the AD interrupt request bit to "1". Because the comparator is constructed linked to a capacitor, set f(XIN) to 500 kHz or more during A-D conversion.

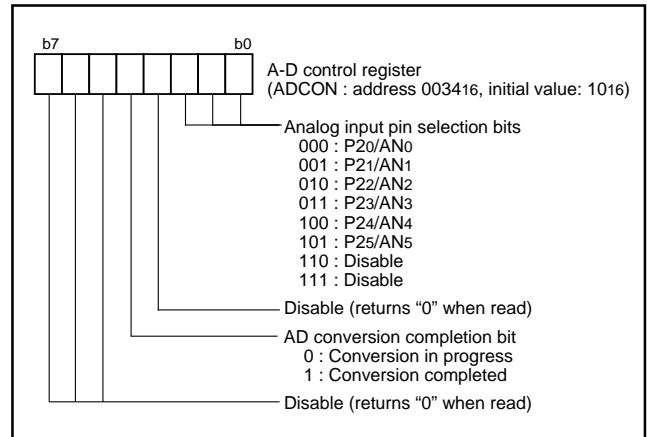


Fig. 31 Structure of A-D control register

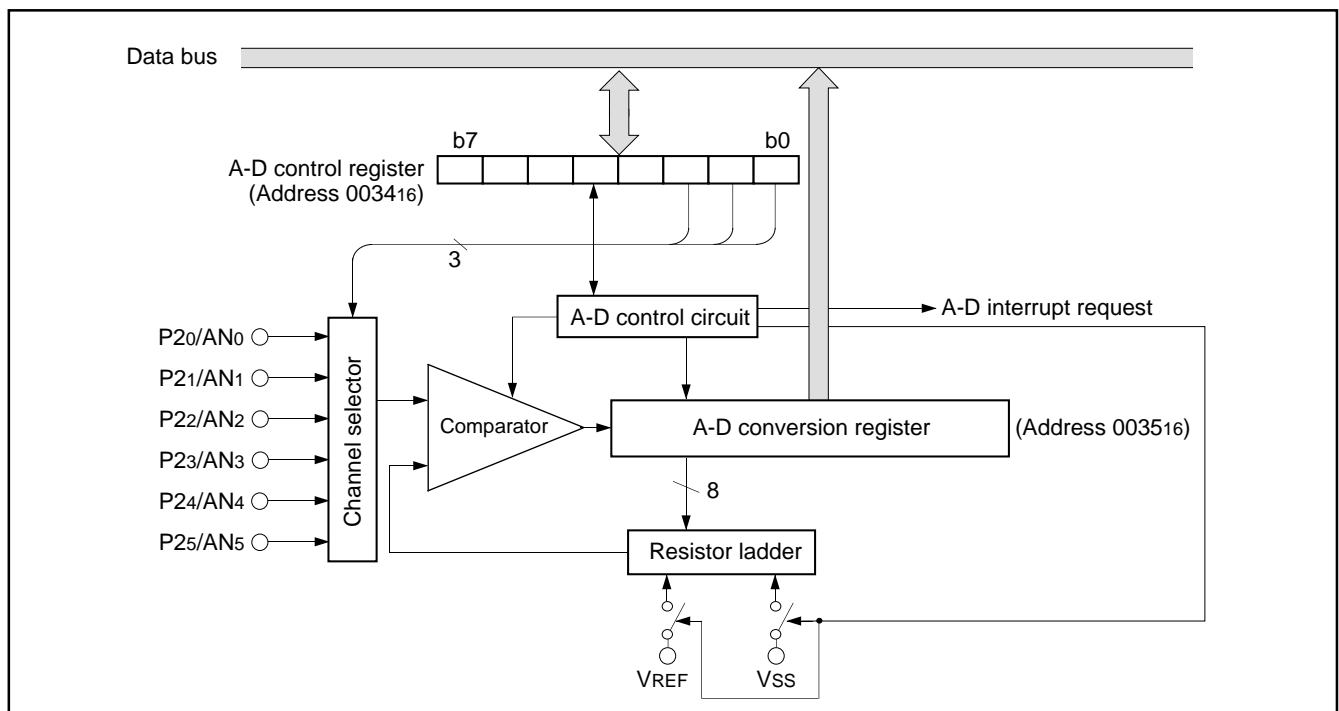


Fig. 32 Block diagram of A-D converter

PRELIMINARY
 Notice: This is not a final specification.
 Some parametric limits are subject to change.

Watchdog Timer

The watchdog timer gives a means for returning to a reset status when the program fails to run on its normal loop due to a runaway. The watchdog timer consists of an 8-bit watchdog timer H and an 8-bit watchdog timer L, being a 16-bit counter.

Standard operation of watchdog timer

The watchdog timer stops when the watchdog timer control register (address 0039₁₆) is not set after reset. Writing an optional value to the watchdog timer control register (address 0039₁₆) causes the watchdog timer to start to count down. When the watchdog timer H underflows, an internal reset occurs. Accordingly, it is programmed that the watchdog timer control register (address 0039₁₆) can be set before an underflow occurs.

When the watchdog timer control register (address 0039₁₆) is read, the values of the high-order 6-bit of the watchdog timer H, STP instruction disable bit and watchdog timer H count source selection bit are read.

Initial value of watchdog timer

By a reset or writing to the watchdog timer control register (address 0039₁₆), the watchdog timer H is set to "FF₁₆" and the watchdog timer L is set to "FF₁₆".

Operation of watchdog timer H count source selection bit

A watchdog timer H count source can be selected by bit 7 of the watchdog timer control register (address 0039₁₆). When this bit is "0", the count source becomes a watchdog timer L underflow signal. The detection time is 131.072 ms at f(XIN)=8 MHz. When this bit is "1", the count source becomes f(XIN)/16. In this case, the detection time is 512 μs at f(XIN)=8 MHz. This bit is cleared to "0" after reset.

Operation of STP instruction disable bit

When the watchdog timer is in operation, the STP instruction can be disabled by bit 6 of the watchdog timer control register (address 0039₁₆). When this bit is "0", the STP instruction is enabled. When this bit is "1", the STP instruction is disabled, and an internal reset occurs if the STP instruction is executed. Once this bit is set to "1", it cannot be changed to "0" by program. This bit is cleared to "0" after reset.

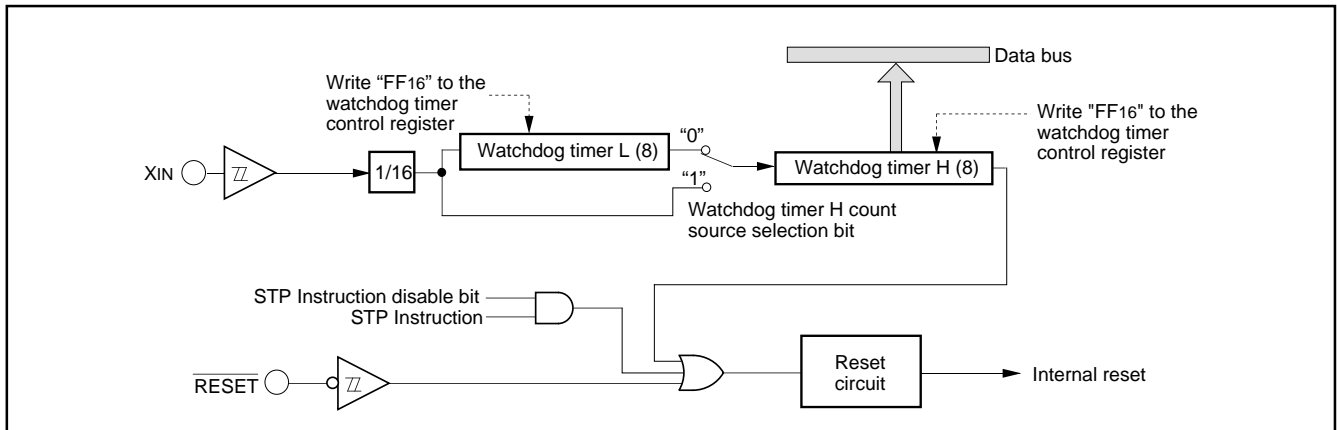


Fig. 33 Block diagram of watchdog timer

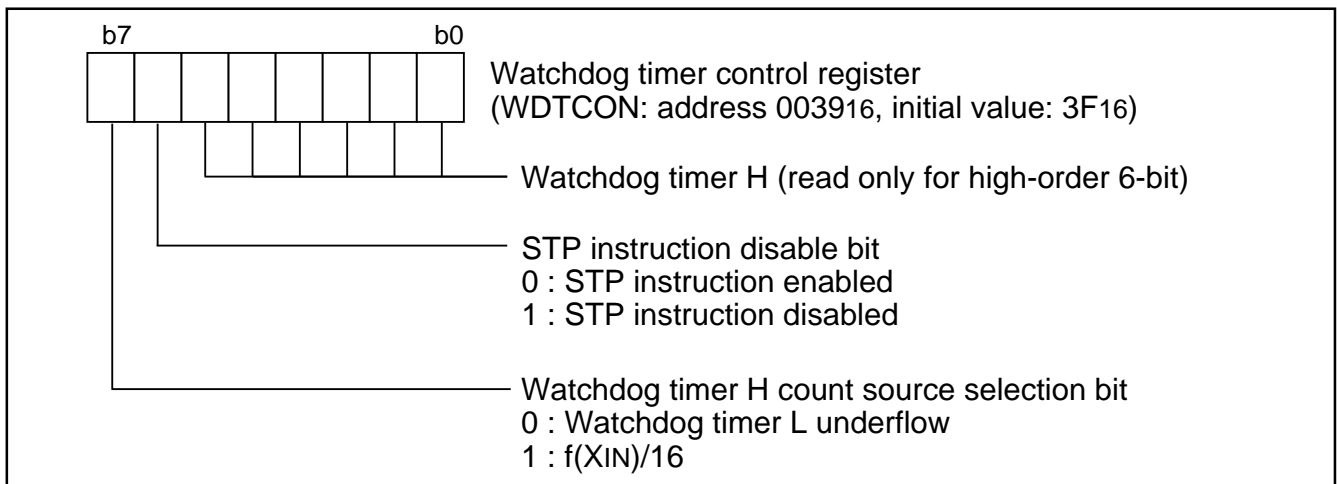


Fig. 34 Structure of watchdog timer control register

PRELIMINARY
 Notice: This is not a final specification.
 Some parametric limits are subject to change.

Reset Circuit

The microcomputer is put into a reset status by holding the $\overline{\text{RESET}}$ pin at the "L" level for 2 μs or more when the power source voltage is 4.5 to 5.5 V and XIN is in stable oscillation.
 After that, this reset status is released by returning the $\overline{\text{RESET}}$ pin to the "H" level. The program starts from the address having the contents of address FFFD₁₆ as high-order address and the contents of address FFFC₁₆ as low-order address.
 In the case of $f(\phi) \leq 8 \text{ MHz}$, the reset input voltage must be 0.9 V or less when the power source voltage passes 4.5 V.

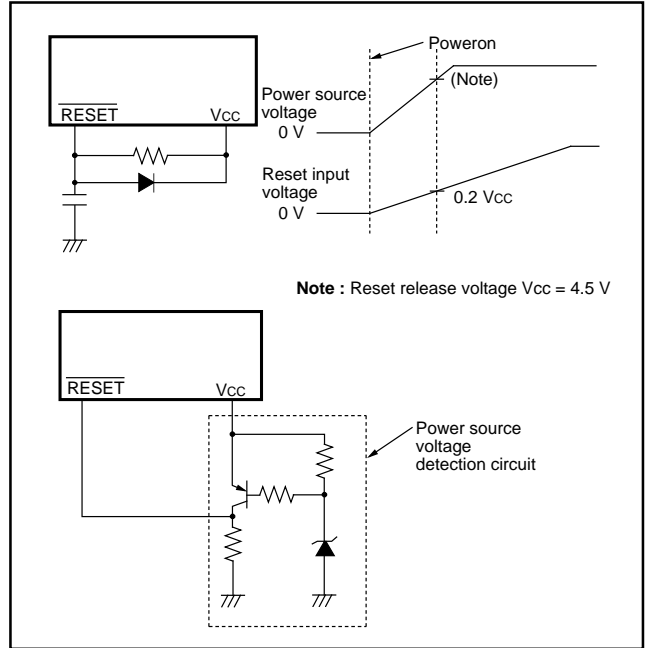


Fig. 35 Example of reset circuit

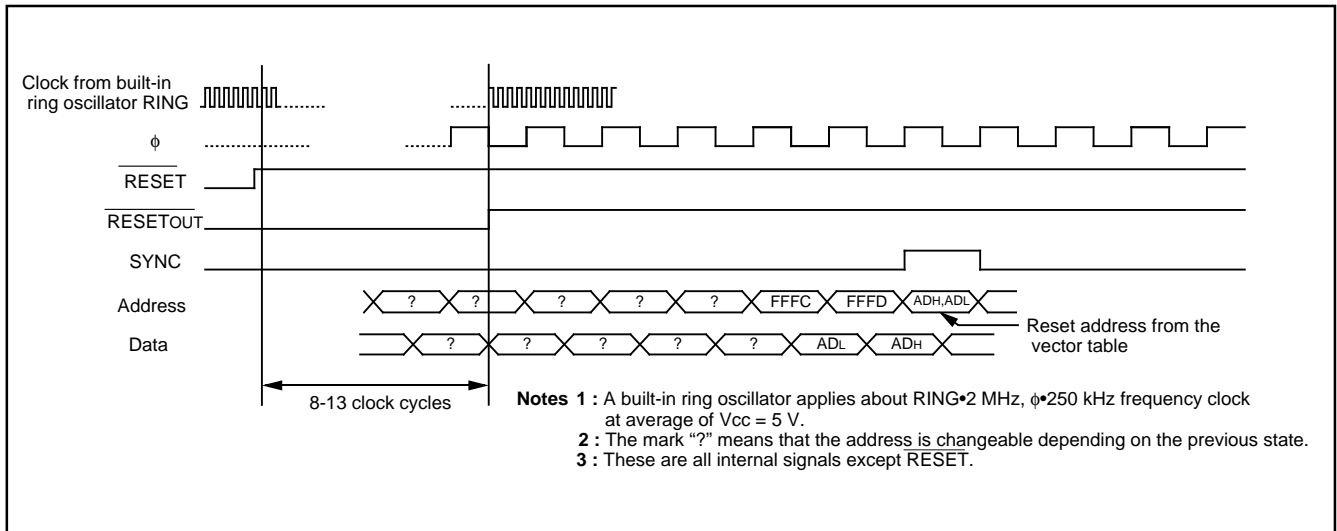


Fig. 36 Timing diagram at reset

	Address	Register contents
(1) Port P0 direction register	0001 ₁₆	00 ₁₆
(2) Port P1 direction register	0003 ₁₆	X X X 0 0 0 0 0
(3) Port P2 direction register	0005 ₁₆	X X 0 0 0 0 0 0
(4) Port P3 direction register	0007 ₁₆	0 X X 0 0 0 0 0
(5) Pull-up control register	0016 ₁₆	00 ₁₆
(6) Port P1P3 control register	0017 ₁₆	00 ₁₆
(7) Serial I/O status register	0019 ₁₆	1 0 0 0 0 0 0 0
(8) Serial I/O control register	001A ₁₆	00 ₁₆
(9) UART control register	001B ₁₆	1 1 1 0 0 0 0 0
(10) Timer A mode register	001D ₁₆	00 ₁₆
(11) Timer A (low-order)	001E ₁₆	FF ₁₆
(12) Timer A (high-order)	001F ₁₆	FF ₁₆
(13) Prescaler 1	0028 ₁₆	FF ₁₆
(14) Timer 1	0029 ₁₆	0 0 0 0 0 0 0 1
(15) Timer X mode register	002B ₁₆	00 ₁₆
(16) Prescaler X	002C ₁₆	FF ₁₆
(17) Timer X	002D ₁₆	FF ₁₆
(18) Timer count source set register 1	002E ₁₆	00 ₁₆
(19) Timer count source set register 2	002F ₁₆	00 ₁₆
(20) A-D control register	0034 ₁₆	0 0 0 1 0 0 0 0
(21) MISRG	0038 ₁₆	00 ₁₆
(22) Watchdog timer control register	0039 ₁₆	0 0 1 1 1 1 1 1
(23) Interrupt edge selection register	003A ₁₆	00 ₁₆
(24) CPU mode register	003B ₁₆	1 0 0 0 0 0 0 0
(25) Interrupt request register 1	003C ₁₆	00 ₁₆
(26) Interrupt request register 2	003D ₁₆	00 ₁₆
(27) Interrupt control register 1	003E ₁₆	00 ₁₆
(28) Interrupt control register 2	003F ₁₆	00 ₁₆
(29) Processor status register	(PS)	X X X X X 1 X X
(30) Program counter	(PC _H)	Contents of address FFFD ₁₆
	(PC _L)	Contents of address FFFC ₁₆

X : Undefined

The content of other registers is undefined when the microcomputer is reset.
 The initial values must be surely set before you use it.

Fig. 37 Internal status of microcomputer at reset

PRELIMINARY
 Notice: This is not a final specification.
 Some parametric limits are subject to change.

Clock Generating Circuit

An oscillation circuit can be formed by connecting a resonator between XIN and XOUT, and an RC oscillation circuit can be formed by connecting a resistor and a capacitor.

Use the circuit constants in accordance with the resonator manufacturer's recommended values.

(1) Ring oscillator operation

When the MCU operates by the ring oscillator for the main clock, connect XIN pin to VCC and leave XOUT pin open.

The clock frequency of the ring oscillator depends on the supply voltage and the operation temperature range.

Be careful that variable frequencies when designing application products.

(2) Ceramic resonator and quartz-crystal oscillator

When the ceramic resonator and quartz-crystal oscillator is used for the main clock, connect the ceramic / quartz-crystal oscillator and the external circuit to pins XIN and XOUT at the shortest distance. A feedback resistor is built in between pins XIN and XOUT.

(3) RC oscillation

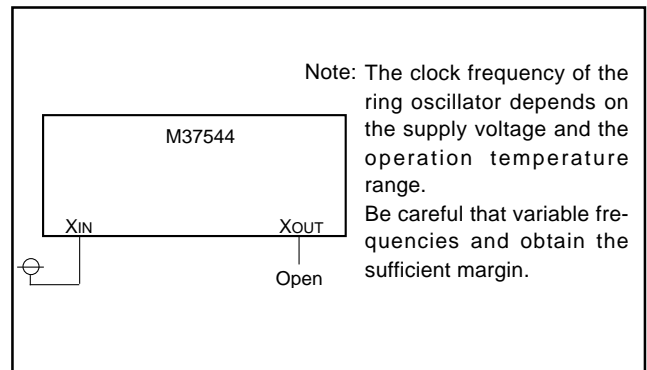
When the RC oscillation is used for the main clock, connect the XIN pin to the external circuit of resistor R and the capacitor C at the shortest distance and leave XOUT pin open.

The frequency is affected by a capacitor, a resistor and a micro-computer.

So, set the constants within the range of the frequency limits.

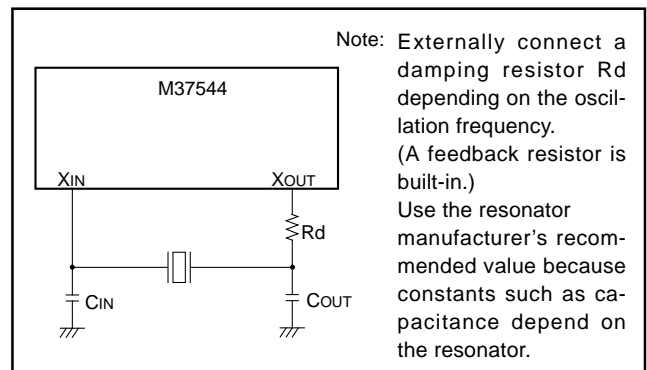
(4) External clock

When the external signal clock is used for the main clock, connect the XIN pin to the clock source and leave XOUT pin open.



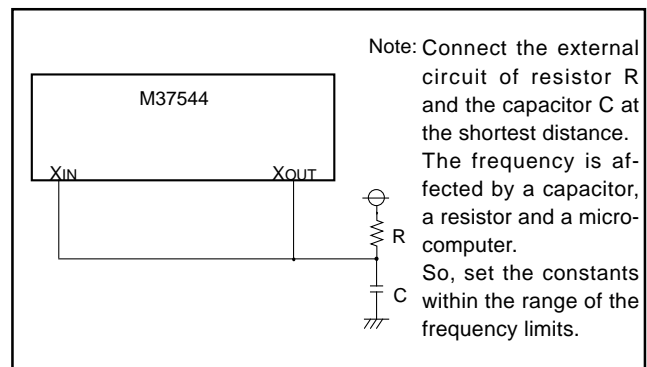
Note: The clock frequency of the ring oscillator depends on the supply voltage and the operation temperature range.
 Be careful that variable frequencies and obtain the sufficient margin.

Fig.38 Processing of XIN and XOUT pins at ring oscillator operation



Note: Externally connect a damping resistor Rd depending on the oscillation frequency. (A feedback resistor is built-in.)
 Use the resonator manufacturer's recommended value because constants such as capacitance depend on the resonator.

Fig. 39 External circuit of ceramic resonator and quartz-crystal oscillator



Note: Connect the external circuit of resistor R and the capacitor C at the shortest distance. The frequency is affected by a capacitor, a resistor and a micro-computer.
 So, set the constants within the range of the frequency limits.

Fig. 40 External circuit of RC oscillatio

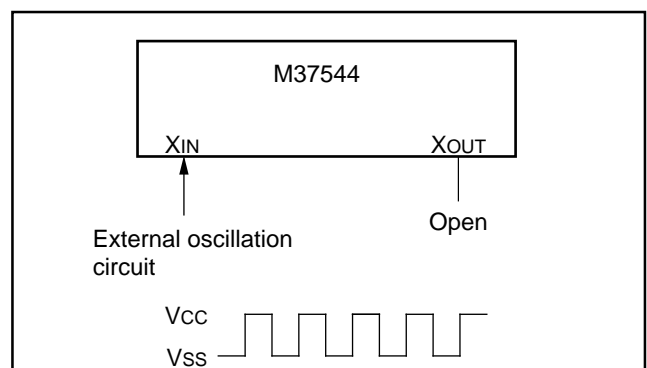


Fig. 41 External clock input circuit

PRELIMINARY
 Notice: This is not a final specification.
 Some parametric limits are subject to change.

(1) Oscillation control

• Stop mode

When the STP instruction is executed, the internal clock ϕ stops at an "H" level and the XIN oscillator stops. At this time, timer 1 is set to "0116" and prescaler 1 is set to "FF16" when the oscillation stabilization time set bit after release of the STP instruction is "0". On the other hand, timer 1 and prescaler 1 are not set when the above bit is "1". Accordingly, set the wait time fit for the oscillation stabilization time of the oscillator to be used. Single selected by the timer1countsource selection bit is connected to the input of prescaler 1. When an external interrupt is accepted, oscillation is restarted but the internal clock ϕ remains at "H" until timer 1 underflows. As soon as timer 1 underflows, the internal clock ϕ is supplied. This is because when a ceramic / quartz-crystal oscillator is used, some time is required until a start of oscillation. In case oscillation is restarted by reset, no wait time is generated. So apply an "L" level to the RESET pin while oscillation becomes stable.

Also, the STP instruction cannot be used while CPU is operating by a ring oscillator.

• Wait mode

If the WIT instruction is executed, the internal clock ϕ stops at an "H" level, but the oscillator does not stop. The internal clock restarts if a reset occurs or when an interrupt is received. Since the oscillator does not stop, normal operation can be started immediately after the clock is restarted. To ensure that interrupts will be received to release the STP or WIT state, interrupt enable bits must be set to "1" before the STP or WIT instruction is executed.

■ Notes on clock generating circuit

For use with the oscillation stabilization set bit after release of the STP instruction set to "1", set values in timer 1 and prescaler 1 after fully appreciating the oscillation stabilization time of the oscillator to be used.

• Switch of ceramic / quartz-crystal and RC oscillations

After releasing reset the operation starts by starting a built-in ring oscillator. Then, a ceramic / quartz-crystal oscillation or an RC oscillation is selected by setting bit 5 of the CPU mode register.

• Double-speed mode

When a ceramic / quartz-crystal oscillation is selected, a double-speed mode can be used. Do not use it when an RC oscillation is selected.

• CPU mode register

Bits 5, 1 and 0 of CPU mode register are used to select oscillation mode and to control operation modes of the microcomputer. In order to prevent the dead-lock by error-writing (ex. program run-away), these bits can be rewritten only once after releasing reset. After rewriting it is disable to write any data to the bit. (The emulator MCU "M37544RSS" is excluded.)

Also, when the read-modify-write instructions (SEB, CLB) are executed to bits 2 to 4, 6 and 7, bits 5, 1 and 0 are locked.

• Clock division ratio, XIN oscillation control, ring oscillator control
 The state transition shown in Fig. 46 can be performed by setting the clock division ratio selection bits (bits 7 and 6), XIN oscillation control bit (bit 4), ring oscillator oscillation control bit (bit 3) of CPU mode register. Be careful of notes on use in Fig. 46.

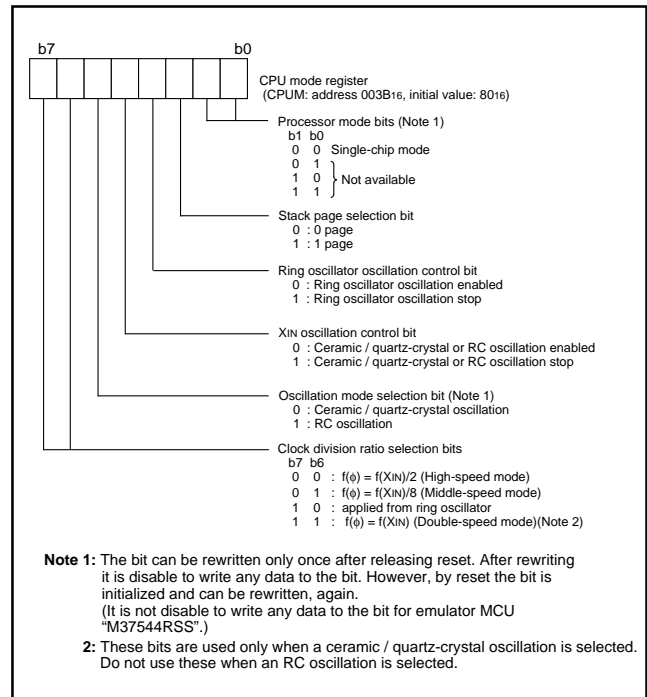


Fig. 42 Structure of CPU mode register

PRELIMINARY
 Notice: This is not a final specification.
 Some parametric limits are subject to change.

● **Oscillation stop detection circuit (Note)**

The oscillation stop detection circuit is used for reset occurrence when a ceramic resonator or an oscillation circuit stops by disconnection. When internal reset occurs, reset because of oscillation stop can be detected by setting "1" to the oscillation stop detection status bit.

Also, when using the oscillation stop detection circuit, a built-in ring oscillator is required.

Figure 46 shows the state transition.

Note: The oscillation stop detection circuit is not included in the emulator MCU "M37544RSS".

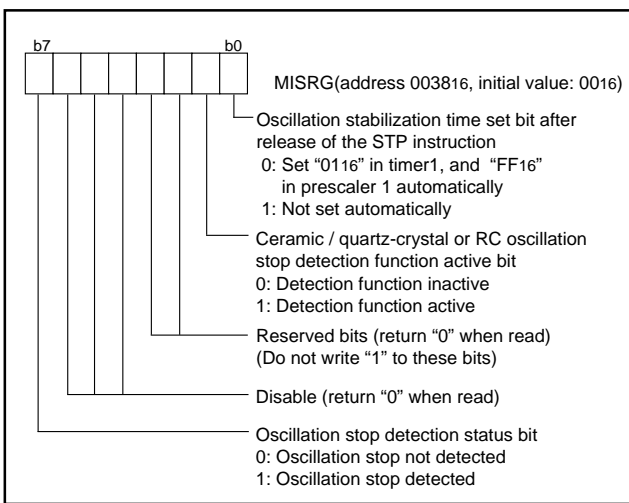


Fig. 43 Structure of MISRG

PRELIMINARY
 Notice: This is not a final specification.
 Some parametric limits are subject to change.

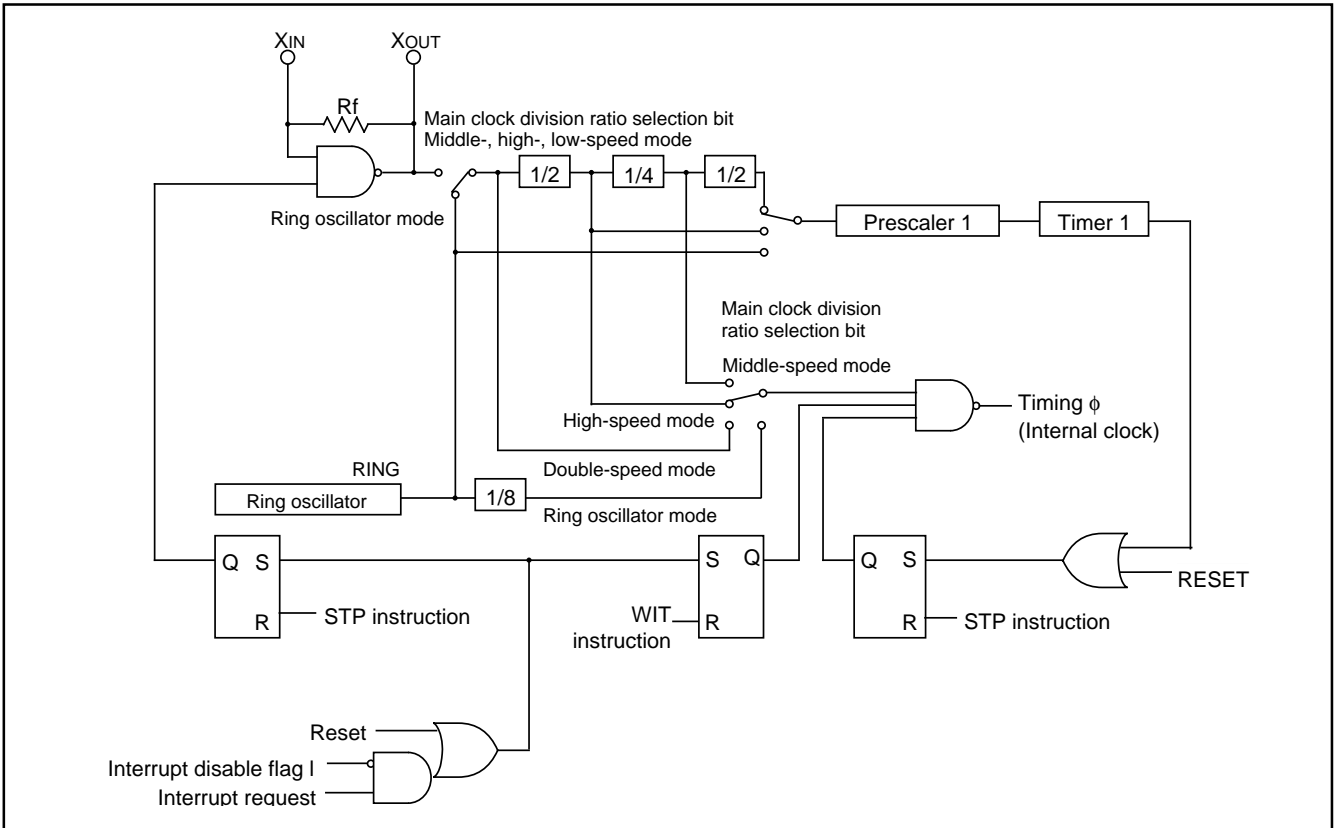


Fig. 44 Block diagram of internal clock generating circuit (for ceramic resonator)

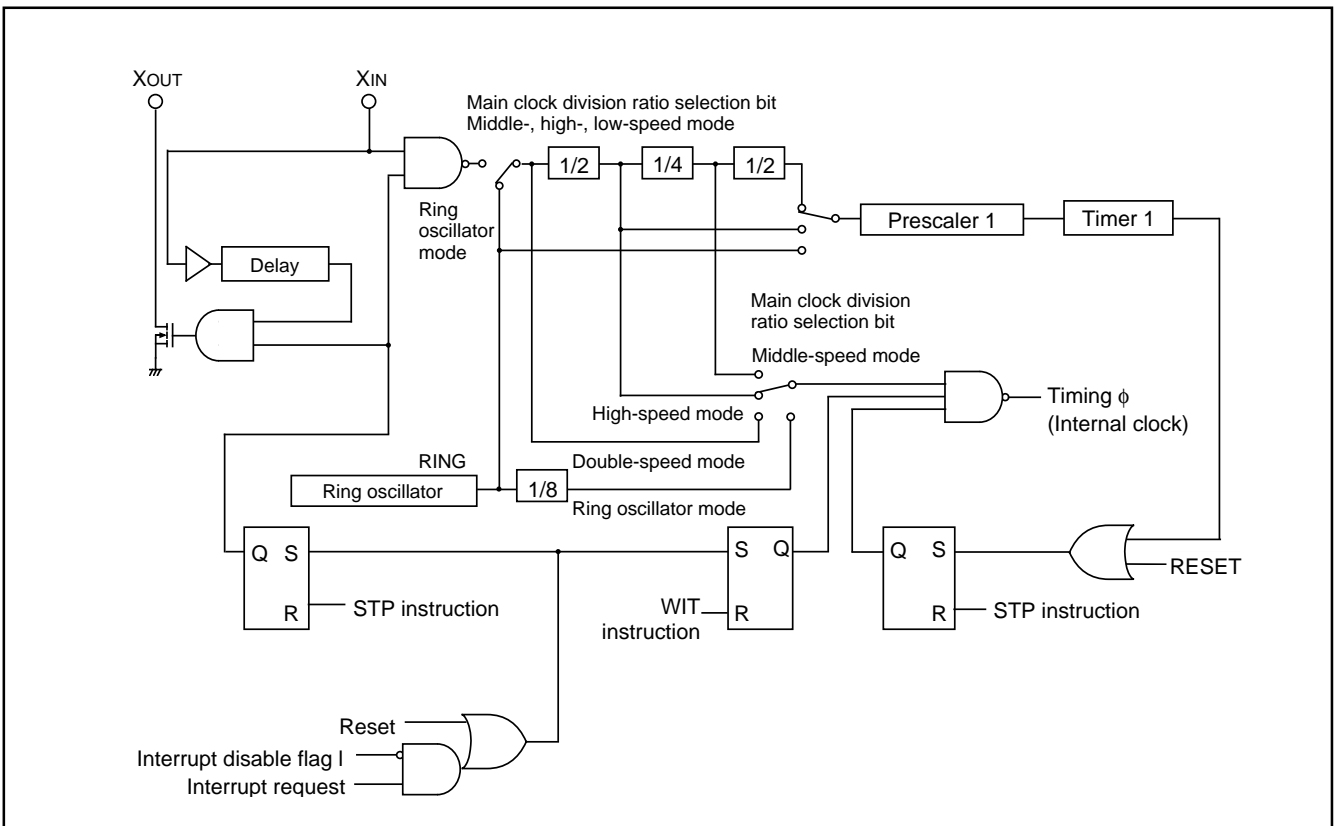


Fig. 45 Block diagram of internal clock generating circuit (for RC oscillation)

PRELIMINARY
 Notice: This is not a final specification.
 Some parametric limits are subject to change.

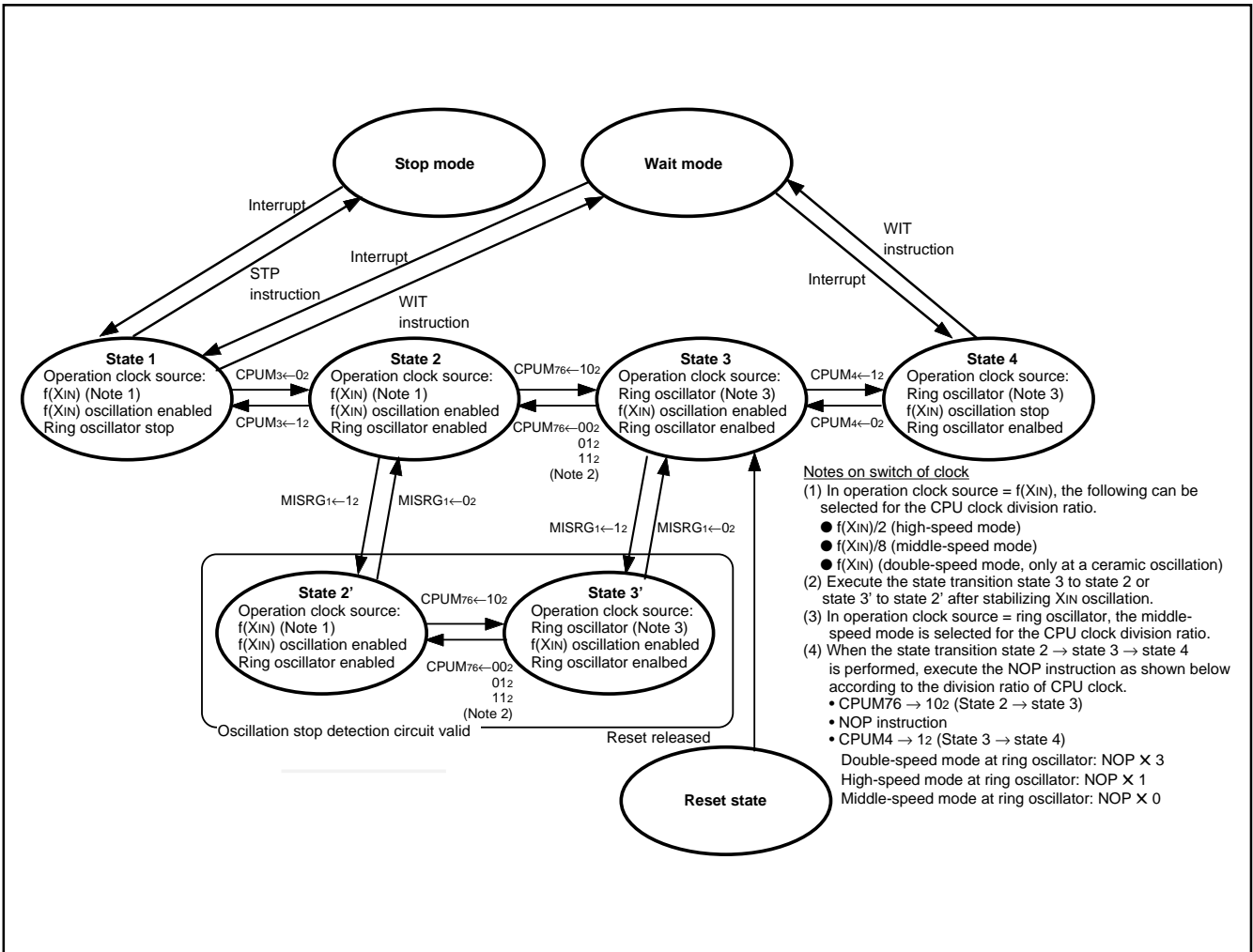


Fig. 46 State transition

PRELIMINARY
 Notice: This is not a final specification.
 Some parametric limits are subject to change.

NOTES ON PROGRAMMING

Processor Status Register

The contents of the processor status register (PS) after reset are undefined except for the interrupt disable flag I which is "1". After reset, initialize flags which affect program execution. In particular, it is essential to initialize the T flag and the D flag because of their effect on calculations.

Interrupts

The contents of the interrupt request bit do not change even if the BBC or BBS instruction is executed immediately after they are changed by program because this instruction is executed for the previous contents. For executing the instruction for the changed contents, execute one instruction before executing the BBC or BBS instruction.

Decimal Calculations

- For calculations in decimal notation, set the decimal mode flag D to "1", then execute the ADC instruction or SBC instruction. In this case, execute SEC instruction, CLC instruction or CLD instruction after executing one instruction before the ADC instruction or SBC instruction.
- In the decimal mode, the values of the N (negative), V (overflow) and Z (zero) flags are invalid.

Ports

- The values of the port direction registers cannot be read. That is, it is impossible to use the LDA instruction, memory operation instruction when the T flag is "1", addressing mode using direction register values as qualifiers, and bit test instructions such as BBC and BBS.
- It is also impossible to use bit operation instructions such as CLB and SEB and read/modify/write instructions of direction registers for calculations such as ROR.
- For setting direction registers, use the LDM instruction, STA instruction, etc.

A-D Conversion

Do not execute the STP instruction during A-D conversion.

Instruction Execution Timing

The instruction execution time can be obtained by multiplying the frequency of the internal clock ϕ by the number of cycles mentioned in the machine-language instruction table.

The frequency of the internal clock ϕ is the same as that of the X_{IN} in double-speed mode, twice the X_{IN} cycle in high-speed mode and 8 times the X_{IN} cycle in middle-speed mode.

CPU Mode Register

The oscillation mode selection bit and processor mode bits can be rewritten only once after releasing reset. However, after rewriting it is disable to write any value to the bit. (Emulator MCU is excluded.)

When a ceramic / quartz-crystal oscillation is selected, a double-speed mode of the clock division ratio selection bits can be used. Do not use it when an RC oscillation is selected.

State transition

Do not stop the clock selected as the operation clock because of setting of CM3, 4.

NOTES ON HARDWARE

Handling of Power Source Pin

In order to avoid a latch-up occurrence, connect a capacitor suitable for high frequencies as bypass capacitor between power source pin (Vcc pin) and GND pin (Vss pin). Besides, connect the capacitor to as close as possible. For bypass capacitor which should not be located too far from the pins to be connected, a ceramic capacitor of 0.01 μ F to 0.1 μ F is recommended.

One Time PROM Version

The CNVss pin is connected to the internal memory circuit block by a low-ohmic resistance, since it has the multiplexed function to be a programmable power source pin (VPP pin) as well.

To improve the noise reduction, connect a track between CNVss pin and Vss pin with 1 to 10 k Ω resistance.

The mask ROM version track of CNVss pin has no operational interference even if it is connected via a resistor.

PRELIMINARY
 Notice: This is not a final specification.
 Some parametric limits are subject to change.

NOTES ON PERIPHERAL FUNCTIONS

■ Interrupt

When setting the followings, the interrupt request bit may be set to "1".

- When setting external interrupt active edge

Related register: Interrupt edge selection register (address 003A16)

Timer X mode register (address 2B16)

Timer A mode register (address 1D16)

When not requiring the interrupt occurrence synchronized with these setting, take the following sequence.

- ① Set the corresponding interrupt enable bit to "0" (disabled).
- ② Set the interrupt edge select bit (active edge switch bit) to "1".
- ③ Set the corresponding interrupt request bit to "0" after 1 or more instructions have been executed.
- ④ Set the corresponding interrupt enable bit to "1" (enabled).

■ Timers

- When n (0 to 255) is written to a timer latch, the frequency division ratio is $1/(n+1)$.
- When a count source of timer X, timer Y or timer Z is switched, stop a count of timer X.

■ Timer A

CNTR1 interrupt active edge selection

CNTR1 interrupt active edge depends on the CNTR1 active edge switch bit.

When this bit is "0", the CNTR1 interrupt request bit is set to "1" at the falling edge of the CNTR1 pin input signal. When this bit is "1", the CNTR1 interrupt request bit is set to "1" at the rising edge of the CNTR1 pin input signal.

However, in the pulse width HL continuously measurement mode, CNTR1 interrupt request is generated at both rising and falling edges of CNTR1 pin input signal regardless of the setting of CNTR1 active edge switch bit.

■ Timer X

CNTR0 interrupt active edge selection

CNTR0 interrupt active edge depends on the CNTR0 active edge switch bit.

When this bit is "0", the CNTR0 interrupt request bit is set to "1" at the falling edge of CNTR0 pin input signal. When this bit is "1", the CNTR0 interrupt request bit is set to "1" at the rising edge of CNTR0 pin input signal.

■ Serial I/O

- Serial I/O interrupt

When setting the transmit enable bit to "1", the serial I/O transmit interrupt request bit is automatically set to "1". When not requiring the interrupt occurrence synchronized with the transmission enabled, take the following sequence.

- ① Set the serial I/O transmit interrupt enable bit to "0" (disabled).
- ② Set the transmit enable bit to "1".
- ③ Set the serial I/O transmit interrupt request bit to "0" after 1 or more instructions have been executed.
- ④ Set the serial I/O transmit interrupt enable bit to "1" (enabled).

- I/O pin function when serial I/O is enabled.

The functions of P12 and P13 are switched with the setting values of a serial I/O mode selection bit and a serial I/O synchronous clock selection bit as follows.

(1) Serial I/O mode selection bit → "1" :

Clock synchronous type serial I/O is selected.

Setup of a serial I/O synchronous clock selection bit

"0" : P12 pin turns into an output pin of a synchronous clock.

"1" : P12 pin turns into an input pin of a synchronous clock.

Setup of a SRDY1 output enable bit (SRDY)

"0" : P13 pin can be used as a normal I/O pin.

"1" : P13 pin turns into a SRDY output pin.

(2) Serial I/O mode selection bit → "0" :

Clock asynchronous (UART) type serial I/O is selected.

Setup of a serial I/O synchronous clock selection bit

"0" : P12 pin can be used as a normal I/O pin.

"1" : P12 pin turns into an input pin of an external clock.

When clock asynchronous (UART) type serial I/O is selected, it is P13 pin. It can be used as a normal I/O pin.

■ A-D Converter

The comparator uses internal capacitors whose charge will be lost if the clock frequency is too low.

Make sure that $f(X_{IN})$ is 500kHz or more during A-D conversion.

PRELIMINARY
 Notice: This is not a final specification.
 Some parametric limits are subject to change.

ELECTRICAL CHARACTERISTICS

1.7544Group

Applied to: M37544M2-XXXSP/GP, M37544G2SP/GP

Absolute Maximum Ratings

Table 7 Absolute maximum ratings

Symbol	Parameter	Conditions	Ratings	Unit
V _{CC}	Power source voltage		-0.3 to 6.5	V
V _I	Input voltage P00-P07, P10-P14, P20-P25, P30-P34, P37, VREF	All voltages are based on V _{SS} . Output transistors are cut off.	-0.3 to V _{CC} + 0.3	V
V _I	Input voltage RESET, X _{IN}		-0.3 to V _{CC} + 0.3	V
V _I	Input voltage CNV _{SS} (Note)		-0.3 to 13	V
V _O	Output voltage P00-P07, P10-P14, P20-P27, P30-P37, X _{OUT}		-0.3 to V _{CC} + 0.3	V
P _d	Power dissipation		T _a = 25°C	TBD
T _{opr}	Operating temperature		-20 to 85	°C
T _{stg}	Storage temperature		-40 to 125	°C

Notes : It is a rating only for the One Time PROM version. Connect to V_{SS} for the mask ROM version.

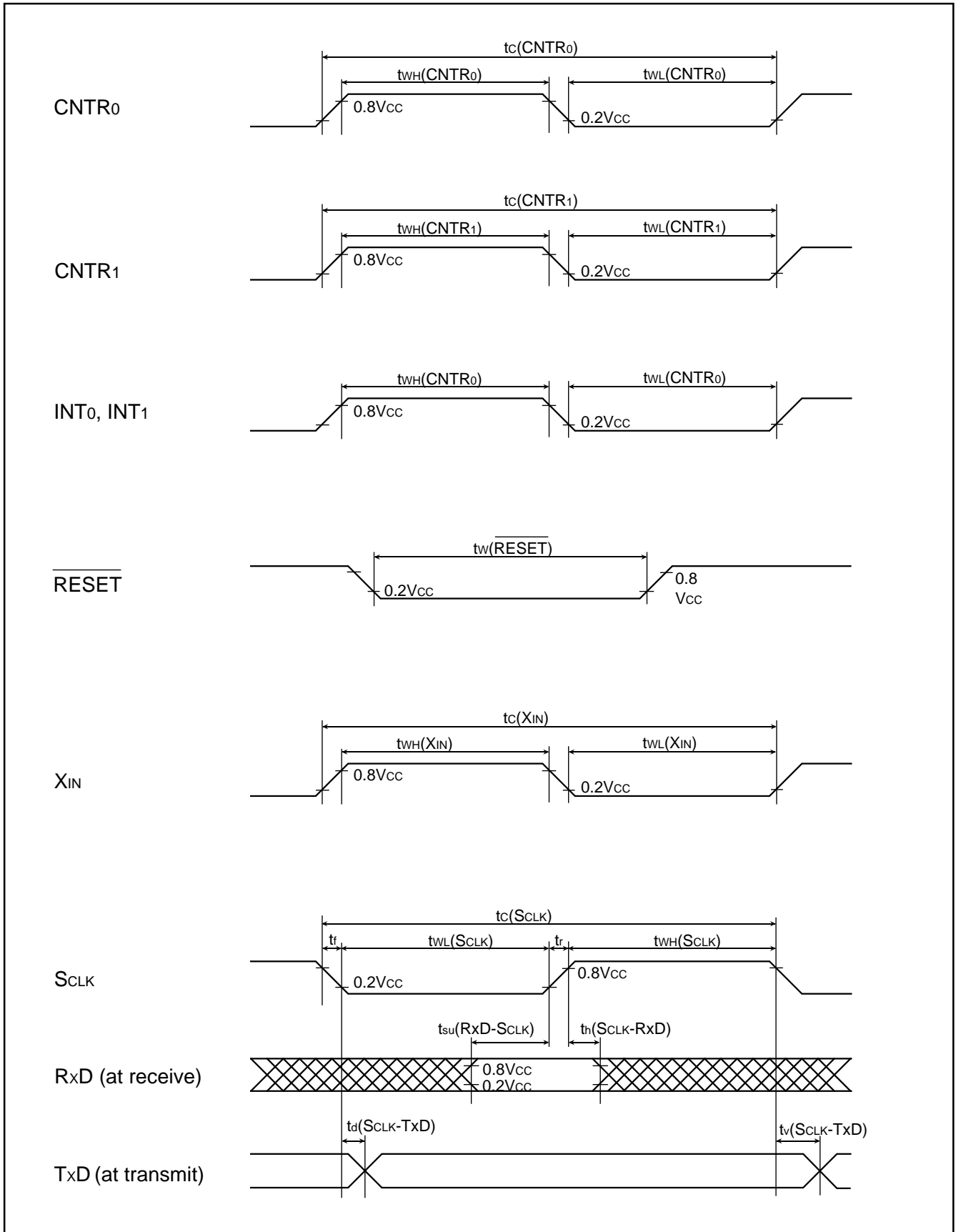


Fig. 47 Timing chart

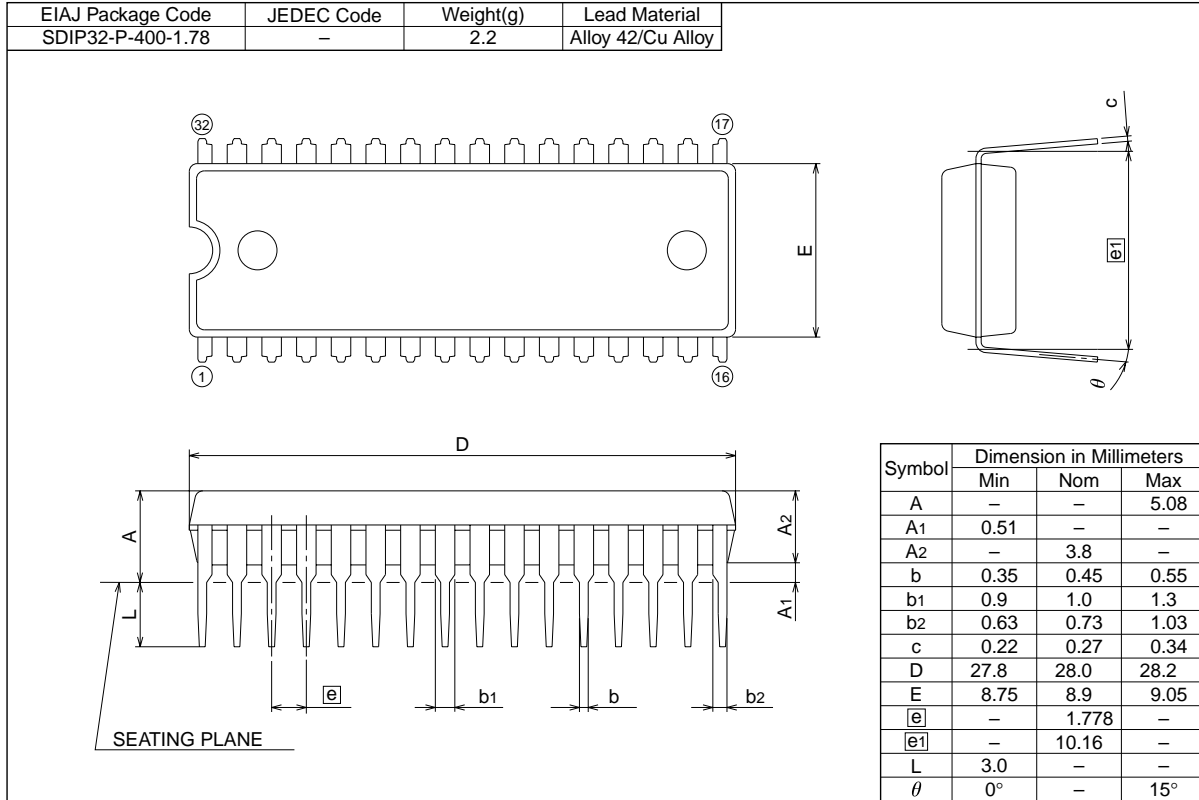
PRELIMINARY
 Notice: This is not a final specification.
 Some parametric limits are subject to change.

PACKAGE OUTLINE

32P4B

(MMP)

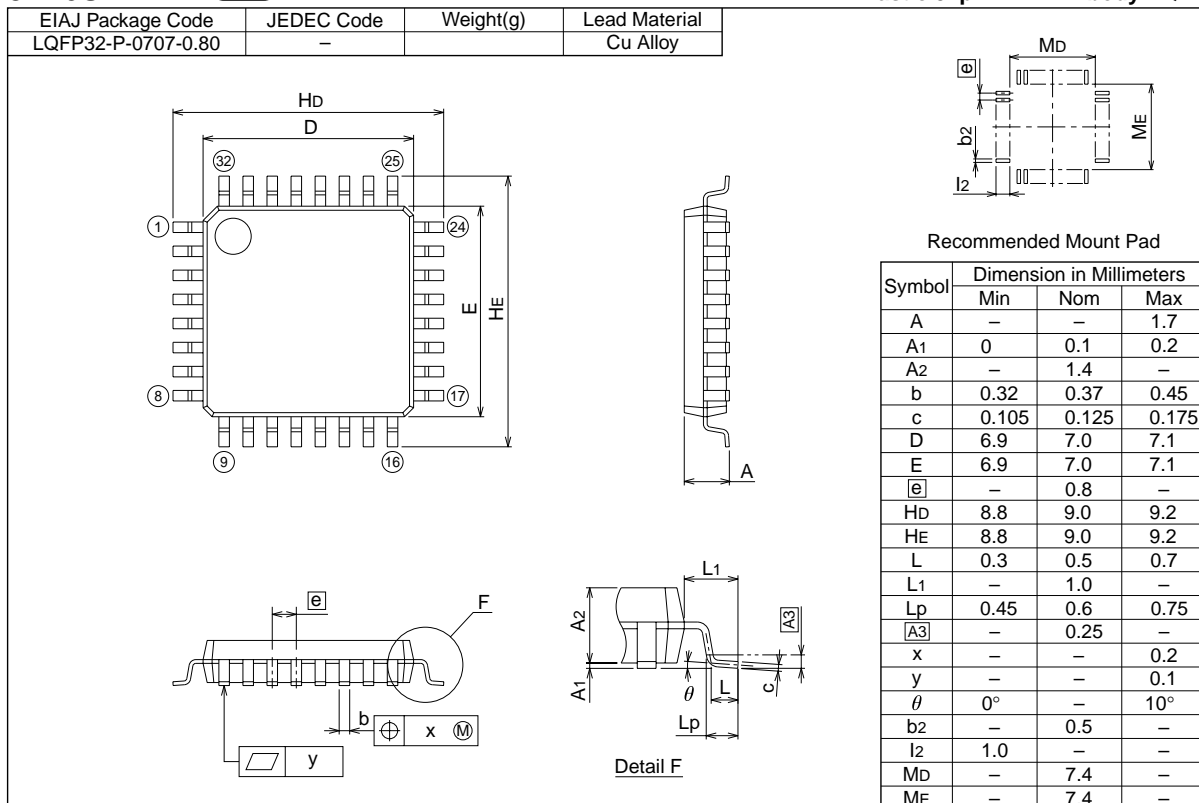
Plastic 32pin 400mil SDIP



32P6U-A

(MMP)

Plastic 32pin 7x7mm body LQFP



PRELIMINARY
Notice: This is not a final specification.
Some parametric limits are subject to change.



Keep safety first in your circuit designs!

- Mitsubishi Electric Corporation puts the maximum effort into making semiconductor products better and more reliable, but there is always the possibility that trouble may occur with them. Trouble with semiconductors may lead to personal injury, fire or property damage. Remember to give due consideration to safety when making your circuit designs, with appropriate measures such as (i) placement of substitutive, auxiliary circuits, (ii) use of non-flammable material or (iii) prevention against any malfunction or mishap.

Notes regarding these materials

- These materials are intended as a reference to assist our customers in the selection of the Mitsubishi semiconductor product best suited to the customer's application; they do not convey any license under any intellectual property rights, or any other rights, belonging to Mitsubishi Electric Corporation or a third party.
- Mitsubishi Electric Corporation assumes no responsibility for any damage, or infringement of any third-party's rights, originating in the use of any product data, diagrams, charts, programs, algorithms, or circuit application examples contained in these materials.
- All information contained in these materials, including product data, diagrams, charts, programs and algorithms represents information on products at the time of publication of these materials, and are subject to change by Mitsubishi Electric Corporation without notice due to product improvements or other reasons. It is therefore recommended that customers contact Mitsubishi Electric Corporation or an authorized Mitsubishi Semiconductor product distributor for the latest product information before purchasing a product listed herein.
- The information described here may contain technical inaccuracies or typographical errors. Mitsubishi Electric Corporation assumes no responsibility for any damage, liability, or other loss rising from these inaccuracies or errors. Please also pay attention to information published by Mitsubishi Electric Corporation by various means, including the Mitsubishi Semiconductor home page (<http://www.mitsubishichips.com>).
- When using any or all of the information contained in these materials, including product data, diagrams, charts, programs, and algorithms, please be sure to evaluate all information as a total system before making a final decision on the applicability of the information and products. Mitsubishi Electric Corporation assumes no responsibility for any damage, liability or other loss resulting from the information contained herein.
- Mitsubishi Electric Corporation semiconductors are not designed or manufactured for use in a device or system that is used under circumstances in which human life is potentially at stake. Please contact Mitsubishi Electric Corporation or an authorized Mitsubishi Semiconductor product distributor when considering the use of a product contained herein for any specific purposes, such as apparatus or systems for transportation, vehicular, medical, aerospace, nuclear, or undersea repeater use.
- The prior written approval of Mitsubishi Electric Corporation is necessary to reprint or reproduce in whole or in part these materials.
- If these products or technologies are subject to the Japanese export control restrictions, they must be exported under a license from the Japanese government and cannot be imported into a country other than the approved destination. Any diversion or reexport contrary to the export control laws and regulations of Japan and/or the country of destination is prohibited.
- Please contact Mitsubishi Electric Corporation or an authorized Mitsubishi Semiconductor product distributor for further details on these materials or the products contained therein.



