

This document was generated on 03/09/2010

PLEASE CHECK WWW.MOLEX.COM FOR LATEST PART INFORMATION

Part Number: **0082226119**
Status: **Active**
Description: 2.54mm (.100") Pitch Round Conductor Flat Cable - 22 AWG (7 x 30) Stranded, Tinned, 19 Circuits, Reel 30.48m (100.0') Length

Documents:

[Drawing \(PDF\)](#) [RoHS Certificate of Compliance \(PDF\)](#)

Agency Certification

CSA LR61126
 UL E61522

General

Product Family Cable
 Series [7560](#)
 Crimp Quality Equipment Yes
 Geographic Area Asia
 Product Name Ribbon

Physical

Cable Length 30.48m (100.0')
 Circuits (Loaded) 19
 Insulation PVC
 Packaging Type Reel
 Pitch - Term. Interface (in) 0.100 In
 Pitch - Term. Interface (mm) 2.54 mm
 Temperature Range - Operating -20°C to +105°C
 Wire Size AWG 22
 Wire/Cable Type (7x30) Stranded, Tinned

Electrical

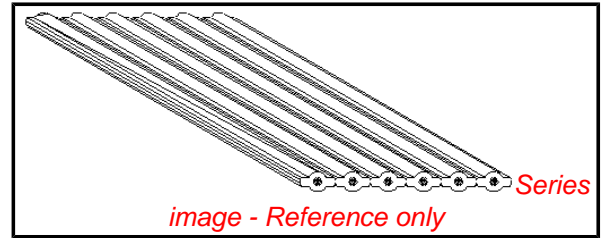
Current - Maximum per Contact N/A
 Voltage - Maximum 300V

Material Info

Old Part Number 7560-19-100B

Reference - Drawing Numbers

Sales Drawing SD-7560-001



EU RoHS

**ELV and RoHS
 Compliant
 REACH SVHC
 Not Reviewed
 Halogen-Free
 Status
 Not Reviewed**

China RoHS



Need more information on product environmental compliance?

Email productcompliance@molex.com
 For a multiple part number RoHS Certificate of Compliance, [click here](#)

Please visit the [Contact Us](#) section for any non-product compliance questions.

Search Parts in this Series

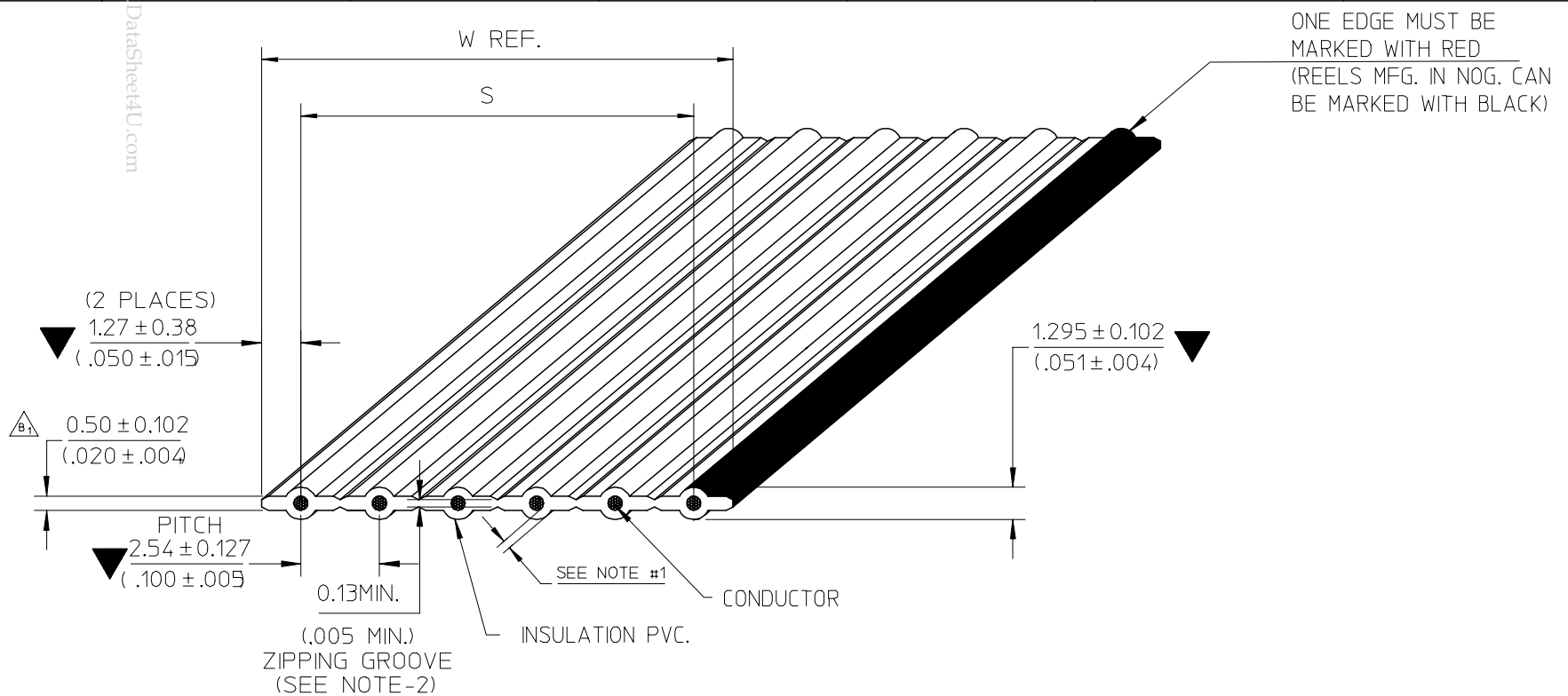
[7560Series](#)

Use With

[70400](#) C-Grid SL™ IDT Connector Assembly. [70475](#) SL™ IDT Connector Assembly. [7720](#) KK® IDT Double Cantilever Contact

This document was generated on 03/09/2010

PLEASE CHECK WWW.MOLEX.COM FOR LATEST PART INFORMATION



- NOTE :**
1. THE CABLE SHALL HAVE A MINIMUM OF 0.178mm. (.007") THICKNESS INSULATION AT ANY POINT
 2. RIP TEST:
 - THE 0.13mm. (.005") ZIPPING GROOVE SHALL BE CAPABLE OF BEING RIPPED BY HAND WITHIN THE RECESS, WITHOUT EXPOSING THE ADJACENT CONDUCTORS
 3. RoHS AND LEAD FREE COMPLIANT
 4. SPECIAL REQUIREMENT: N/A

SEE CHANGE DETAIL EC NO: THL2008-0015 DRWN: CPANSAKHOM 2007/11/28 CHKD: DNARINTARA 2007/11/29 APPR: SVIRATJAPOL 2007/12/04	DESCRIPTION B	REV	QUALITY SYMBOLS ▽=3 ◻=0	GENERAL TOLERANCES (UNLESS SPECIFIED)		DIMENSION STYLE	SCALE	DESIGN UNITS	THIRD ANGLE PROJECTION		
						MM/IN	NTS	INCH			
						DRAWN BY	DATE	TITLE			
						CPANSAKHOM	2006/07/18	FCB ROUND CONDUCTOR			
						CHECKED BY	DATE	2.54MM(.100)CENTER PVC.			
		PMEECHAI	2006/07/18	22AWG STRANDED TINNED							
		APPROVED BY	DATE	MOLEX INCORPORATED							
		SVIRATJAPOL	2006/07/18	MATERIAL NO.		DOCUMENT NO.	SHEET NO.				
				SEE CHART		SD-7560-001	1 OF 3				
				DRAFT WHERE APPLICABLE MUST REMAIN WITHIN DIMENSIONS							
				THIS DRAWING CONTAINS INFORMATION THAT IS PROPRIETARY TO MOLEX INCORPORATED AND SHOULD NOT BE USED WITHOUT WRITTEN PERMISSION							

SPECIFICATIONS

PHYSICAL

CONDUCTOR SPACING ----- 2.54(.100") \bar{C} TO \bar{C}
 WIRE GAUGE ----- 22 AWG(7/30) STRANDED TINNED
 INSULATION ----- P.V.C GRAY (LEAD FREE)

AGENCY

U.L. STYLE NO. ----- 2651
 TEMPERATURE RATING ----- -20°C TO 105°C
 VOLTAGE RATING ----- 300V.MAX.
 FLAMMABILITY RATING ----- VW-1

ELECTRICAL

CONDUCTOR RESISTANCE (D.C.) ----- 17 m OHMS/FT. MAX.
 CHARACTERISTIC IMPEDANCE ----- 128 OHMS NOM. (GS)
 ----- 104 OHMS NOM. (GSG)
 CAPACITANCE ----- 7.2 pF/FT. NOM. (GS)
 ----- 13.4 pF/FT. NOM. (GSG)
 PROPAGATION DELAY ----- 1.4 ns/FT. NOM.
 INSULATION RESISTANCE ----- 10 M OHMS (10FT. SAMPLE)
 DIELECTRIC WITHSTAND VOLTAGE ----- 2000 VRMS/MINUTE

GENERAL

\triangle_{B_2} NON-OPERATING TEMPERATURE ----- -20°C TO 105°C
 FAULTS AND/OR SPLICES ----- 1/REEL MAX. 100 $^{+3}_0$ FT. (30.48 $^{+0.914}_0$ M.)/REEL
 20FT. (6.096M.) MIN. LENGTH

SEE CHANGE DETAIL EC NO: THL2008-0015 DRWN: CPANSAKHOM 2007/11/28 CHKD: DNARINTARA 2007/11/29 APPR: SVIRATJAPOL 2007/12/04	DESCRIPTION REV	QUALITY SYMBOLS		GENERAL TOLERANCES (UNLESS SPECIFIED)		DIMENSION STYLE		SCALE	DESIGN UNITS	THIRD ANGLE PROJECTION			
						MM/IN		NTS	INCH				
		$\blacktriangledown =$ $\triangle =$		mm	INCH	DRAWN BY	DATE	TITLE					
				4 PLACES	\pm ----	\pm ----	CPANSAKHOM	2006/07/18	FCB ROUND CONDUCTOR 2.54MM(.100)CENTER PVC. 22AWG STRANDED TINNED				
				3 PLACES	\pm ----	\pm ----	CHECKED BY	DATE	MOLEX INCORPORATED				
		2 PLACES	\pm ----	\pm ----	PMEECHAI	2006/07/18							
		1 PLACE	\pm ----	\pm ----	APPROVED BY	DATE							
		ANGULAR \pm ----		SVIRATJAPOL		2006/07/18	DOCUMENT NO.		SHEET NO.				
		DRAFT WHERE APPLICABLE MUST REMAIN WITHIN DIMENSIONS				MATERIAL NO.		SD-7560-001		2 OF 3			
		SIZE \triangle_{A_4}		THIS DRAWING CONTAINS INFORMATION THAT IS PROPRIETARY TO MOLEX INCORPORATED AND SHOULD NOT BE USED WITHOUT WRITTEN PERMISSION									

CHART A DIMENSIONS MM. (INCHES)				SHIPPED ON 100FT. REELS	
ENG. NO.	NO.OF COND.	DIMENSION S	DIM. W (REF)	ENGINEERING NO.	ORDER NO.
7560-02	2	2.54±0.127 (.100±.005)	5.08 (.200)	7560-02-100B	82-22-6102
7560-03	3	5.08±0.20 (.200±.008)	7.62 (.300)	7560-03-100B	82-22-6103
7560-04	4	7.62±0.30 (.300±.012)	10.16 (.400)	7560-04-100B	82-22-6104
7560-05	5	10.16±0.33 (.400±.013)	12.70 (.500)	7560-05-100B	82-22-6105
7560-06	6	12.70±0.33 (.500±.013)	15.24 (.600)	7560-06-100B	82-22-6106
7560-07	7	15.24±0.33 (.600±.013)	17.78 (.700)	7560-07-100B	82-22-6107
7560-08	8	17.78±0.33 (.700±.013)	20.32 (.800)	7560-08-100B	82-22-6108
7560-09	9	20.32±0.33 (.800±.013)	22.86 (.900)	7560-09-100B	82-22-6109
7560-10	10	22.86±0.33 (.900±.013)	25.40 (1.000)	7560-10-100B	82-22-6110
7560-11	11	25.40±0.33 (1.000±.013)	27.94 (1.100)	7560-11-100B	82-22-6111
7560-12	12	27.94±0.33 (1.100±.013)	30.48 (1.200)	7560-12-100B	82-22-6112
7560-13	13	30.48±0.33 (1.200±.013)	33.02 (1.300)	7560-13-100B	82-22-6113
7560-14	14	33.02±0.33 (1.300±.013)	35.56 (1.400)	7560-14-100B	82-22-6114
7560-15	15	35.56±0.33 (1.400±.013)	38.10 (1.500)	7560-15-100B	82-22-6115
7560-16	16	38.10±0.33 (1.500±.013)	40.64 (1.600)	7560-16-100B	82-22-6116
7560-17	17	40.64±0.33 (1.600±.013)	43.18 (1.700)	7560-17-100B	82-22-6117
7560-18	18	43.18±0.33 (1.700±.013)	45.72 (1.800)	7560-18-100B	82-22-6118
7560-19	19	45.72±0.33 (1.800±.013)	48.26 (1.900)	7560-19-100B	82-22-6119
7560-20	20	48.26±0.33 (1.900±.013)	50.80 (2.000)	7560-20-100B	82-22-6120

ENGINEERING NO.

7560-XX-XXXX

A B C D

A : CABLE 2.54mm. (.100") CENTERS 22 AWG STRANDED TINNED

B : CONDUCTOR SIZE (AVAILABILITY 2 THROUGH 20)

C : CABLE LENGTH 100FT. (30.48M.)

D : A= INCHES

B = FEET

SEE CHANGE DETAIL EC NO: THL2008-0015 DRWN:CPANSAKHOM 2007/11/28 CHKD:DNARINTARA 2007/11/29 APPR:SVIRATJAPOL 2007/12/04	DESCRIPTION	QUALITY SYMBOLS	GENERAL TOLERANCES (UNLESS SPECIFIED)		DIMENSION STYLE	SCALE	DESIGN UNITS	THIRD ANGLE PROJECTION	
			mm	INCH	MM/IN	NTS	INCH		
			4 PLACES ± --- ± ---		DRAWN BY	DATE	TITLE		
			3 PLACES ± --- ± ---		CPANSAKHOM	2006/07/18	FCB ROUND CONDUCTOR 2.54MM(.100)CENTER PVC. 22AWG STRANDED TINNED		
			2 PLACES ± --- ± ---		CHECKED BY	DATE			
1 PLACE ± --- ± ---		PMEECHA I	2006/07/18	MOLEX INCORPORATED					
		ANGULAR ± ---°		APPROVED BY	DATE	MATERIAL NO.	DOCUMENT NO.	SHEET NO.	
				SVIRATJAPOL	2006/07/18	SEE CHART	SD-7560-001	3 OF 3	
				DRAFT WHERE APPLICABLE MUST REMAIN WITHIN DIMENSIONS					
				SIZE	THIS DRAWING CONTAINS INFORMATION THAT IS PROPRIETARY TO MOLEX INCORPORATED AND SHOULD NOT BE USED WITHOUT WRITTEN PERMISSION				
				A 4					