



Micro Commercial Components

Micro Commercial Components
 20736 Marilla Street Chatsworth
 CA 91311
 Phone: (818) 701-4933
 Fax: (818) 701-4939

MC7806CT

Features

- Lead Free Finish/RoHS Compliant(Note 1) ("P" Suffix designates RoHS Compliant. See ordering information)
- Output current in excess of 1.0 Ampere
- No external components required
- Internal thermal overload protection
- Internal short-circuit current limiting
- Output voltage offered in 2% tolerance
- Case Material: Molded Plastic. UL Flammability Classification Rating 94V-0 and MSL Rating 1

Three-Terminal Positive Voltage Regulators

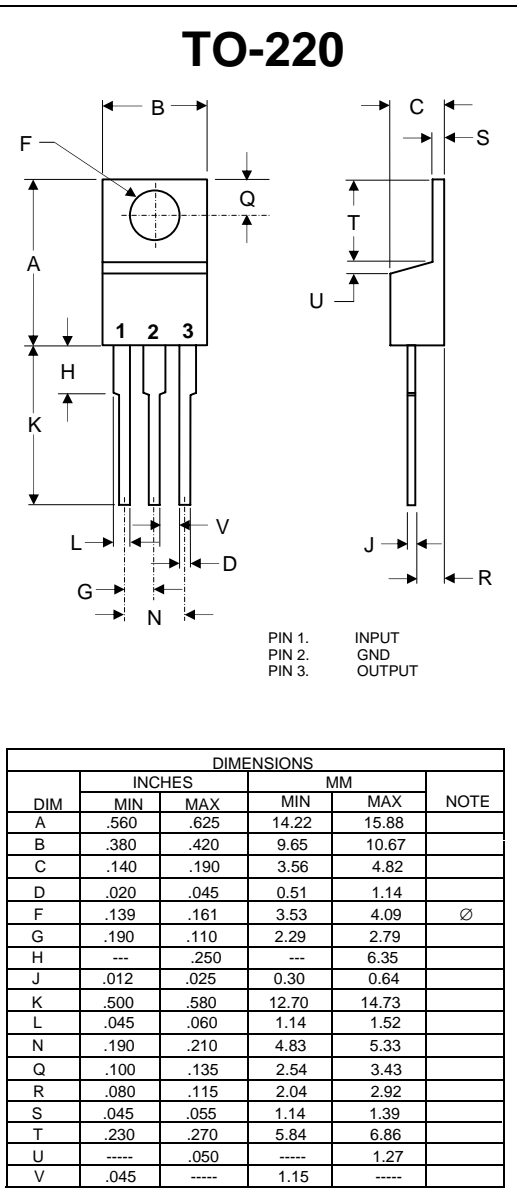
Maximum Ratings @ T_A=25°C, Unless Otherwise Noted

Parameter	Symbol	Value	Unit
Input Voltage	V _I	30	V
Operating Ambient Temperature	P _D	15	W
Operating Junction Temperature	T _{OPR}	-20---+75	°C
Storage Temperature Range	T _{STG}	-55---+125	°C

Electrical Characteristics (V_I=11V, I_O=500mA, 0°C<T_J<125°C, C_i=0.33uF, C_o=0.1uF, Unless Otherwise Specified)

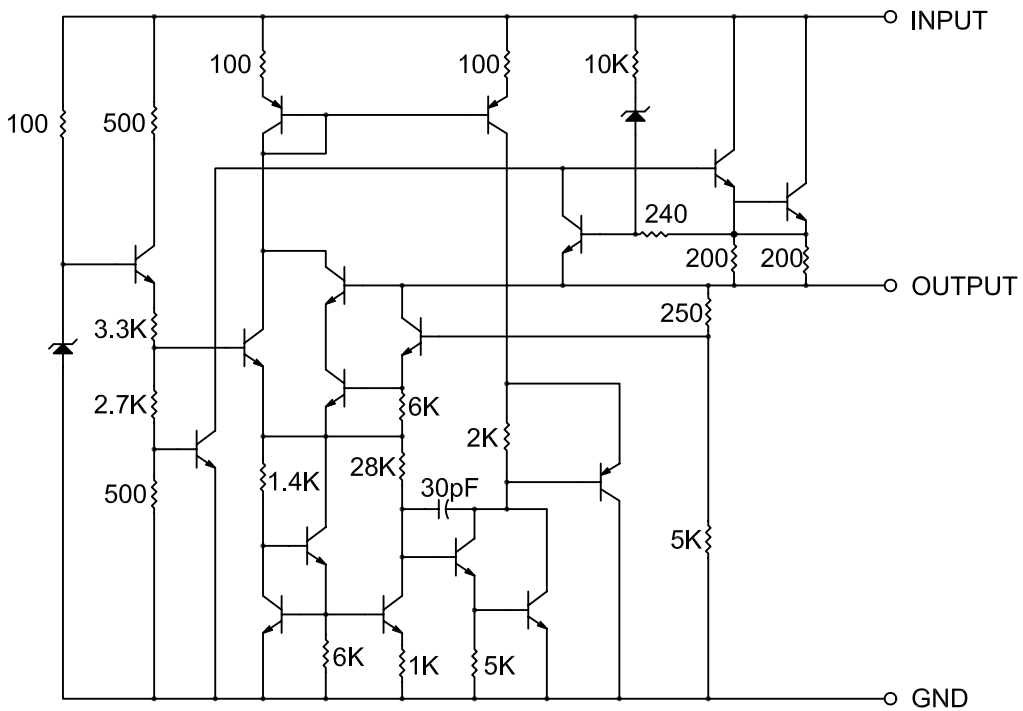
Parameter	Sym	Min	Typ	Max	Test conditions
Output Voltage	V _O	5.88V	6.0V	6.12V	T _J =25°C
		5.83V		6.17V	8V ≤ V _I ≤ 21V, 5mA ≤ I _O ≤ 1.0A, P _D =15W
Load Regulation	ΔV _O		14mV	120mV	5mA ≤ I _O ≤ 1.5A, T _J =25°C,
			4.0mV	60mV	250mA ≤ I _O ≤ 750mA, T _J =25°C
Line regulation	ΔV _O		5.0mV	120mV	8V ≤ V _I ≤ 25V, T _J =25°C
			1.5mV	60mV	9V ≤ V _I ≤ 13V, T _J =25°C
Quiescent Current	I _q		4.3mA	8.0mA	T _J =25°C, I _O =0
Quiescent Current Change	ΔI _q			1.3mA 0.5mA	7V ≤ V _I ≤ 25V 5mA ≤ I _O ≤ 1.0A
Output Noise Voltage	V _N		45μV		10Hz ≤ f ≤ 100KHz T _J =25°C
Ripple Rejection	RR	59dB	75dB		f=120Hz
Dropout Voltage	V _d		2.0V		I _O =1.0A, T _J =25°C
Output Short Circuit Current	R _O		19mohm		f=1.0KHz
Output Short Circuit Current	I _{OS}		550mA		T _J =25°C
Peak Output Current	I _{Opeak}		2.2A		T _J =25°C
Temperature Coefficient of Output voltage	ΔV _O /ΔT _J		0.8mV/°C		0°C ≤ T _J ≤ 125°C, I _O =5mA

Notes:1.High Temperature Solder Exemption Applied, see EU Directive Annex 7.



MC7806CT

Representation Schematic Diagram





Micro Commercial Components

Ordering Information

Device	Packing
(Part Number)-BP	Bulk;1Kpcs/Box

*****IMPORTANT NOTICE*****

Micro Commercial Components Corp. reserves the right to make changes without further notice to any product herein to make corrections, modifications, enhancements, improvements, or other changes. *Micro Commercial Components Corp.* does not assume any liability arising out of the application or use of any product described herein; neither does it convey any license under its patent rights, nor the rights of others. The user of products in such applications shall assume all risks of such use and will agree to hold *Micro Commercial Components Corp.* and all the companies whose products are represented on our website, harmless against all damages.

*****APPLICATIONS DISCLAIMER*****

Products offer by *Micro Commercial Components Corp.* are not intended for use in Medical, Aerospace or Military Applications.