



# ST7LITE0, ST7SUPERLITE

## 8-BIT MCU WITH SINGLE VOLTAGE FLASH MEMORY, DATA EEPROM, ADC, TIMERS, SPI

### ■ Memories

- 1K or 1.5K bytes single voltage Flash Program memory with read-out protection, In-Circuit and In-Application Programming (ICP and IAP). 10K write/erase cycles guaranteed, data retention: 20 years at 55°C.
- 128 bytes RAM.
- 128 bytes data EEPROM with read-out protection. 300K write/erase cycles guaranteed, data retention: 20 years at 55°C.

### ■ Clock, Reset and Supply Management

- 3-level low voltage supervisor (LVD) and auxiliary voltage detector (AVD) for safe power-on/off procedures
- Clock sources: internal 1MHz RC 1% oscillator or external clock
- PLL x4 or x8 for 4 or 8 MHz internal clock
- Four Power Saving Modes: Halt, Active-Halt, Wait and Slow

### ■ Interrupt Management

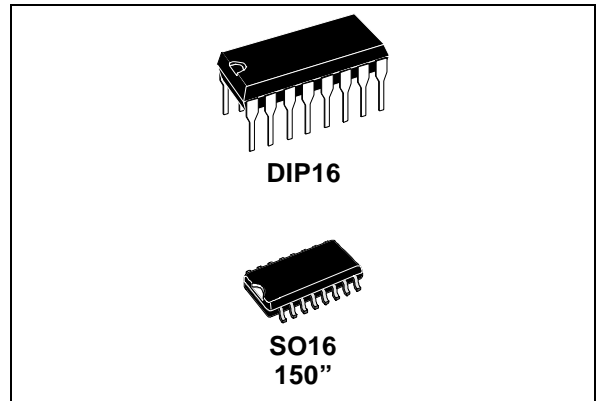
- 10 interrupt vectors plus TRAP and RESET
- 4 external interrupt lines (on 4 vectors)

### ■ I/O Ports

- 13 multifunctional bidirectional I/O lines
- 9 alternate function lines
- 6 high sink outputs

### ■ 2 Timers

- One 8-bit Lite Timer (LT) with prescaler including: watchdog, 1 realtime base and 1 input capture.



- One 12-bit Auto-reload Timer (AT) with output compare function and PWM

### ■ 1 Communication Interface

- SPI synchronous serial interface

### ■ A/D Converter

- 8-bit resolution for 0 to  $V_{DD}$
- Fixed gain Op-amp for 11-bit resolution in 0 to 250 mV range (@ 5V  $V_{DD}$ )
- 5 input channels

### ■ Instruction Set

- 8-bit data manipulation
- 63 basic instructions
- 17 main addressing modes
- 8 x 8 unsigned multiply instruction

### ■ Development Tools

- Full hardware/software development package

## Device Summary

Features	ST7SUPERLITE		ST7LITE0		
	ST7LITES2	ST7LITES5	ST7LITE02	ST7LITE05	ST7LITE09
Program memory - bytes	1K	1K	1.5K	1.5K	1.5K
RAM (stack) - bytes	128 (64)	128 (64)	128 (64)	128 (64)	128 (64)
Data EEPROM - bytes	-	-	-	-	128
Peripherals	LT Timer w/ Wdg, AT Timer w/ 1 PWM, SPI	LT Timer w/ Wdg, AT Timer w/ 1 PWM, SPI, 8-bit ADC	LT Timer w/ Wdg, AT Timer w/ 1 PWM, SPI	LT Timer w/ Wdg, AT Timer w/ 1 PWM, SPI, 8-bit ADC w/ Op-Amp	
Operating Supply	2.4V to 5.5V				
CPU Frequency	1MHz RC 1% + PLLx4/8MHz				
Operating Temperature	-40°C to +85°C				
Packages	SO16 150", DIP16				

Rev. 2.4

---

# Table of Contents

---

<b>ST7LITE0, ST7SUPERLITE</b> .....	<b>1</b>
<b>1 INTRODUCTION</b> .....	<b>5</b>
<b>2 PIN DESCRIPTION</b> .....	<b>6</b>
<b>3 REGISTER &amp; MEMORY MAP</b> .....	<b>8</b>
<b>4 FLASH PROGRAM MEMORY</b> .....	<b>12</b>
4.1 INTRODUCTION .....	12
4.2 MAIN FEATURES .....	12
4.3 PROGRAMMING MODES .....	12
4.4 ICC INTERFACE .....	13
4.5 MEMORY PROTECTION .....	14
4.6 RELATED DOCUMENTATION .....	14
4.7 REGISTER DESCRIPTION .....	14
<b>5 DATA EEPROM</b> .....	<b>15</b>
5.1 INTRODUCTION .....	15
5.2 MAIN FEATURES .....	15
5.3 MEMORY ACCESS .....	16
5.4 POWER SAVING MODES .....	18
5.5 ACCESS ERROR HANDLING .....	18
5.6 DATA EEPROM READ-OUT PROTECTION .....	18
5.7 REGISTER DESCRIPTION .....	19
<b>6 CENTRAL PROCESSING UNIT</b> .....	<b>20</b>
6.1 INTRODUCTION .....	20
6.2 MAIN FEATURES .....	20
6.3 CPU REGISTERS .....	20
<b>7 SUPPLY, RESET AND CLOCK MANAGEMENT</b> .....	<b>23</b>
7.1 INTERNAL RC OSCILLATOR ADJUSTMENT .....	23
7.2 PHASE LOCKED LOOP .....	23
7.3 REGISTER DESCRIPTION .....	24
7.4 RESET SEQUENCE MANAGER (RSM) .....	26
7.5 SYSTEM INTEGRITY MANAGEMENT (SI) .....	28
<b>8 INTERRUPTS</b> .....	<b>33</b>
8.1 NON MASKABLE SOFTWARE INTERRUPT .....	33
8.2 EXTERNAL INTERRUPTS .....	33
8.3 PERIPHERAL INTERRUPTS .....	33
<b>9 POWER SAVING MODES</b> .....	<b>36</b>
9.1 INTRODUCTION .....	36
9.2 SLOW MODE .....	36
9.3 WAIT MODE .....	37
9.4 ACTIVE-HALT AND HALT MODES .....	38

---

# Table of Contents

---

<b>10 I/O PORTS</b> .....	<b>41</b>
10.1 INTRODUCTION .....	41
10.2 FUNCTIONAL DESCRIPTION .....	41
10.3 UNUSED I/O PINS .....	44
10.4 LOW POWER MODES .....	44
10.5 INTERRUPTS .....	44
10.6 I/O PORT IMPLEMENTATION .....	44
<b>11 ON-CHIP PERIPHERALS</b> .....	<b>46</b>
11.1 LITE TIMER (LT) .....	46
11.2 12-BIT AUTORELOAD TIMER (AT) .....	51
11.3 SERIAL PERIPHERAL INTERFACE (SPI) .....	57
11.4 8-BIT A/D CONVERTER (ADC) .....	68
<b>12 INSTRUCTION SET</b> .....	<b>72</b>
12.1 ST7 ADDRESSING MODES .....	72
12.2 INSTRUCTION GROUPS .....	75
<b>13 ELECTRICAL CHARACTERISTICS</b> .....	<b>78</b>
13.1 PARAMETER CONDITIONS .....	78
13.2 ABSOLUTE MAXIMUM RATINGS .....	79
13.3 OPERATING CONDITIONS .....	80
13.4 SUPPLY CURRENT CHARACTERISTICS .....	86
13.5 CLOCK AND TIMING CHARACTERISTICS .....	88
13.6 MEMORY CHARACTERISTICS .....	89
13.7 EMC CHARACTERISTICS .....	90
13.8 I/O PORT PIN CHARACTERISTICS .....	94
13.9 CONTROL PIN CHARACTERISTICS .....	99
13.10 COMMUNICATION INTERFACE CHARACTERISTICS .....	100
13.11 8-BIT ADC CHARACTERISTICS .....	102
<b>14 PACKAGE CHARACTERISTICS</b> .....	<b>106</b>
14.1 PACKAGE MECHANICAL DATA .....	106
14.2 THERMAL CHARACTERISTICS .....	107
14.3 SOLDERING AND GLUEABILITY INFORMATION .....	108
<b>15 DEVICE CONFIGURATION AND ORDERING INFORMATION</b> .....	<b>109</b>
15.1 OPTION BYTES .....	109
15.2 DEVICE ORDERING INFORMATION AND TRANSFER OF CUSTOMER CODE ....	111
15.3 DEVELOPMENT TOOLS .....	113
15.4 ST7 APPLICATION NOTES .....	114
<b>16 IMPORTANT NOTES</b> .....	<b>116</b>
16.1 EXECUTION OF BTJX INSTRUCTION .....	116
16.2 IN-CIRCUIT PROGRAMMING OF DEVICES PREVIOUSLY PROGRAMMED WITH HARD- WARE WATCHDOG OPTION 116	
16.3 IN-CIRCUIT DEBUGGING WITH HARDWARE WATCHDOG .....	116
<b>17 SUMMARY OF CHANGES</b> .....	<b>117</b>

---

# Table of Contents

---

<b>ERRATA SHEET</b> .....	<b>118</b>
<b>18 SILICON IDENTIFICATION</b> .....	<b>118</b>
<b>19 REFERENCE SPECIFICATION</b> .....	<b>118</b>
<b>20 SILICON limitations</b> .....	<b>118</b>
20.1 NEGATIVE INJECTION IMPACT ON ADC ACCURACY .....	118
20.2 ADC CONVERSION SPURIOUS RESULTS .....	119
20.3 FUNCTIONAL ESD SENSITIVITY .....	119
<b>21 Device Marking</b> .....	<b>120</b>
<b>22 ERRATA SHEET REVISION History</b> .....	<b>121</b>

To obtain the most recent version of this datasheet,  
please check at [www.st.com>products>technical literature>datasheet](http://www.st.com/products/technical_literature/datasheet)

Please note that an errata sheet can be found at the end of this document on [page 118](#)  
and pay special attention to the Section “IMPORTANT NOTES” on page 116.

## 1 INTRODUCTION

The ST7LITE0 and ST7SUPERLITE are members of the ST7 microcontroller family. All ST7 devices are based on a common industry-standard 8-bit core, featuring an enhanced instruction set.

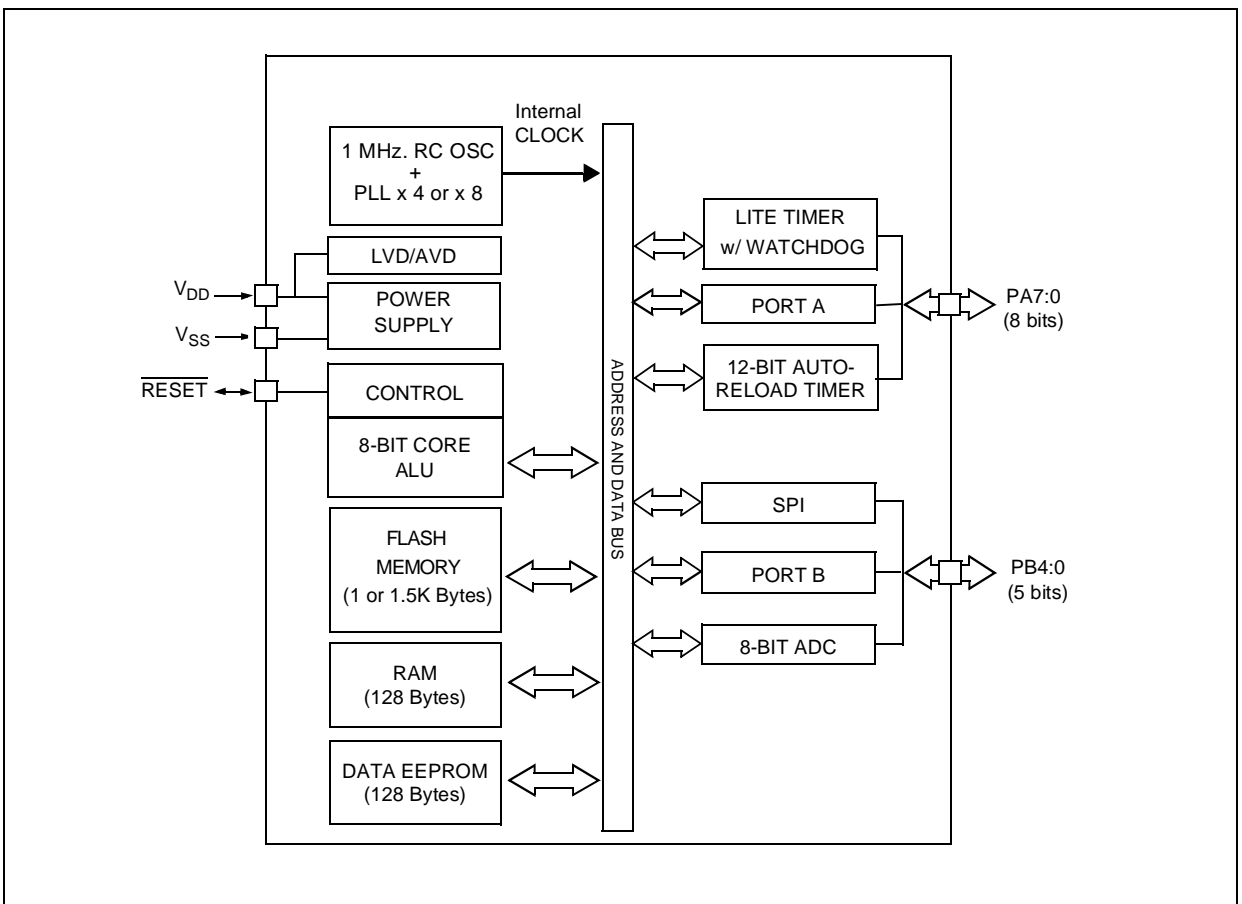
The ST7LITE0 and ST7SUPERLITE feature FLASH memory with byte-by-byte In-Circuit Programming (ICP) and In-Application Programming (IAP) capability.

Under software control, the ST7LITE0 and ST7SUPERLITE devices can be placed in WAIT, SLOW, or HALT mode, reducing power consumption when the application is in idle or standby state.

The enhanced instruction set and addressing modes of the ST7 offer both power and flexibility to software developers, enabling the design of highly efficient and compact application code. In addition to standard 8-bit data management, all ST7 microcontrollers feature true bit manipulation, 8x8 unsigned multiplication and indirect addressing modes.

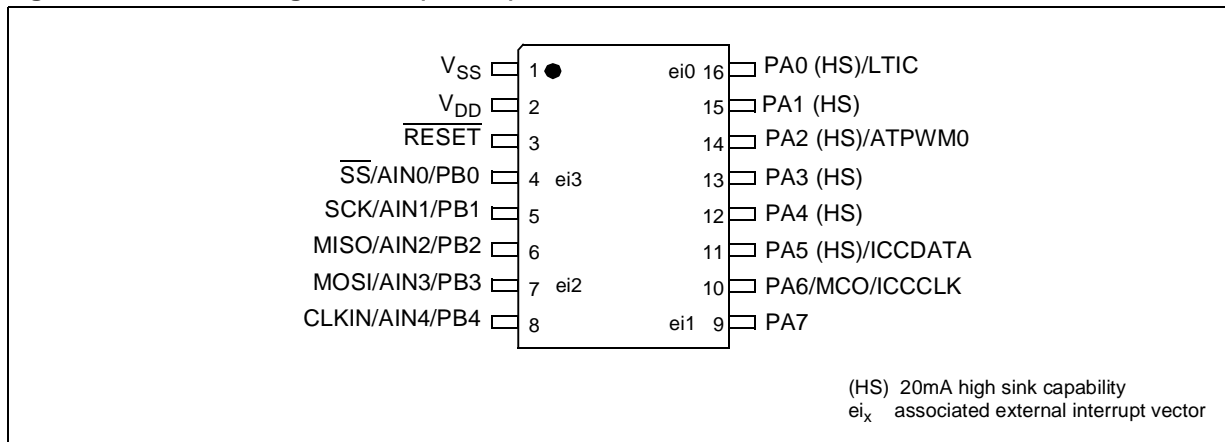
For easy reference, all parametric data are located in [section 13 on page 78](#).

**Figure 1. General Block Diagram**



## 2 PIN DESCRIPTION

Figure 2. 16-Pin Package Pinout (150mil)



**PIN DESCRIPTION** (Cont'd)

**Legend / Abbreviations for Table 1:**

Type: I = input, O = output, S = supply

In/Output level: C= CMOS 0.15V<sub>DD</sub>/0.85V<sub>DD</sub> with input trigger

C<sub>T</sub>= CMOS 0.3V<sub>DD</sub>/0.7V<sub>DD</sub> with input trigger

Output level: HS = 20mA high sink (on N-buffer only)

Port and control configuration:

– Input: float = floating, wpu = weak pull-up, int = interrupt <sup>1)</sup>, ana = analog

– Output: OD = open drain <sup>2)</sup>, PP = push-pull

**Table 1. Device Pin Description**

Pin n°	Pin Name	Type	Level		Port / Control						Main Function (after reset)	Alternate Function
			Input	Output	Input				Output			
					float	wpu	int	ana	OD	PP		
1	V <sub>SS</sub>	S										Ground
2	V <sub>DD</sub>	S										Main power supply
3	RESET	I/O	C <sub>T</sub>		X				X			Top priority non maskable interrupt (active low)
4	PB0/AIN0/SS	I/O	C <sub>T</sub>	X		ei3			X	X	<b>Port B0</b>	ADC Analog Input 0 or SPI Slave Select (active low)
5	PB1/AIN1/SCK	I/O	C <sub>T</sub>	X	X				X	X	<b>Port B1</b>	ADC Analog Input 1 or SPI Clock
6	PB2/AIN2/MISO	I/O	C <sub>T</sub>	X	X				X	X	<b>Port B2</b>	ADC Analog Input 2 or SPI Master In/ Slave Out Data
7	PB3/AIN3/MOSI	I/O	C <sub>T</sub>	X		ei2			X	X	<b>Port B3</b>	ADC Analog Input 3 or SPI Master Out / Slave In Data
8	PB4/AIN4/CLKIN	I/O	C <sub>T</sub>	X	X				X	X	<b>Port B4</b>	ADC Analog Input 4 or External clock input
9	PA7	I/O	C <sub>T</sub>	X		ei1			X	X	<b>Port A7</b>	
10	PA6 /MCO/ICCCLK	I/O	C <sub>T</sub>	X	X				X	X	<b>Port A6</b>	Main Clock Output/In Circuit Communication Clock. <b>Caution:</b> During reset, this pin must be held at high level to avoid entering ICC mode unexpectedly (this is guaranteed by the internal pull-up if the application leaves the pin floating).
11	PA5/ICCDATA	I/O	C <sub>T</sub>	HS	X	X			X	X	<b>Port A5</b>	In Circuit Communication Data
12	PA4	I/O	C <sub>T</sub>	HS	X	X			X	X	<b>Port A4</b>	
13	PA3	I/O	C <sub>T</sub>	HS	X	X			X	X	<b>Port A3</b>	
14	PA2/ATPWM0	I/O	C <sub>T</sub>	HS	X	X			X	X	<b>Port A2</b>	Auto-Reload Timer PWM0
15	PA1	I/O	C <sub>T</sub>	HS	X	X			X	X	<b>Port A1</b>	
16	PA0/LTIC	I/O	C <sub>T</sub>	HS	X		ei0		X	X	<b>Port A0</b>	Lite Timer Input Capture

**Note:**

In the interrupt input column, “ei<sub>x</sub>” defines the associated external interrupt vector. If the weak pull-up column (wpu) is merged with the interrupt column (int), then the I/O configuration is pull-up interrupt input, else the configuration is floating interrupt input.

### 3 REGISTER & MEMORY MAP

As shown in [Figure 3](#) and [Figure 4](#), the MCU is capable of addressing 64K bytes of memories and I/O registers.

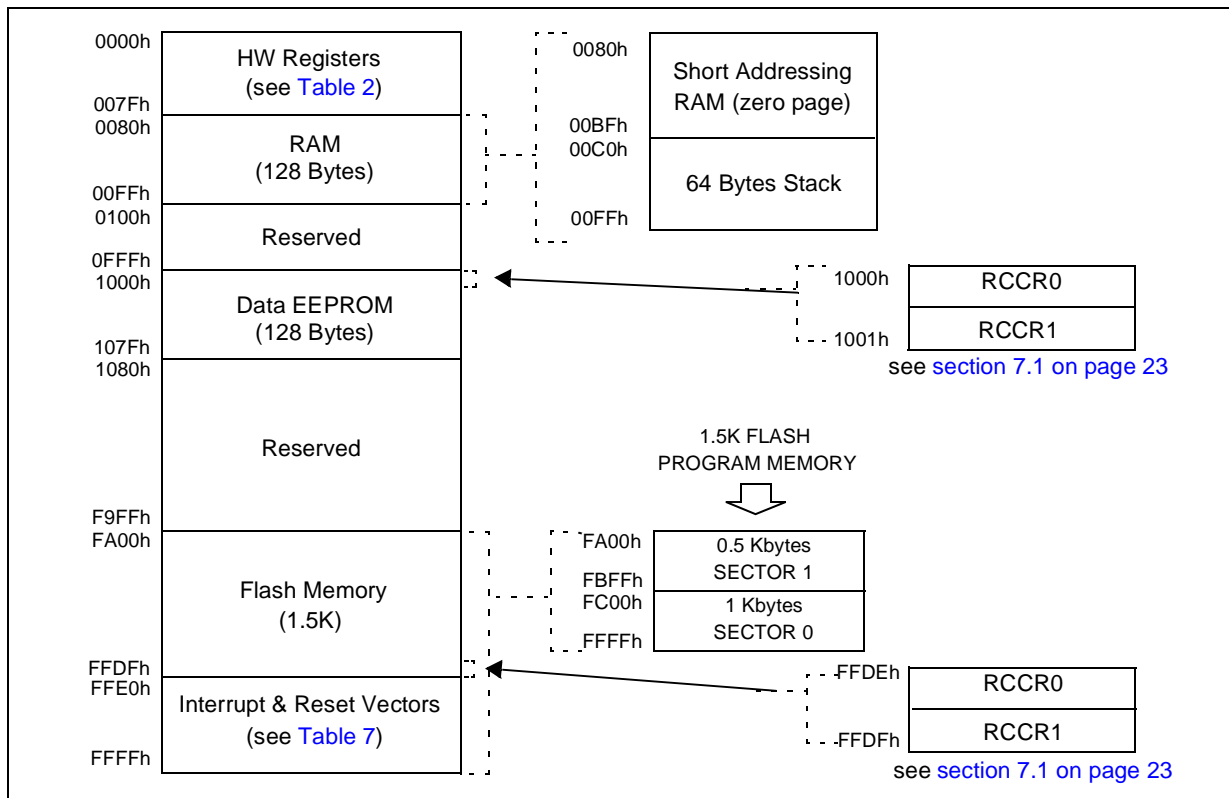
The available memory locations consist of up to 128 bytes of register locations, 128 bytes of RAM, 128 bytes of data EEPROM and up to 1.5 Kbytes of user program memory. The RAM space includes up to 64 bytes for the stack from 0C0h to 0FFh.

The highest address bytes contain the user reset and interrupt vectors.

The size of Flash Sector 0 is configurable by Option byte.

**IMPORTANT:** Memory locations marked as “Reserved” must never be accessed. Accessing a reserved area can have unpredictable effects on the device.

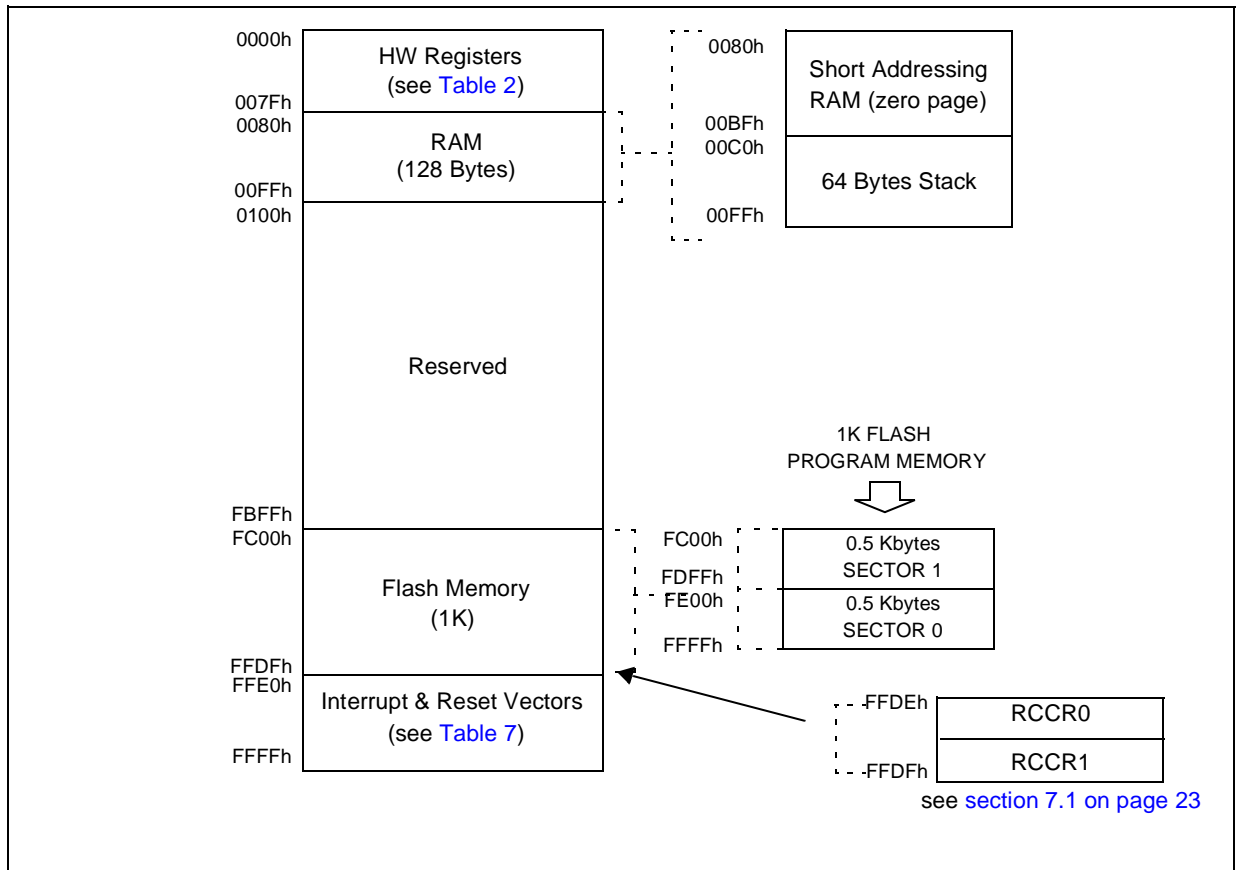
**Figure 3. Memory Map (ST7LITE0)**





REGISTER AND MEMORY MAP (Cont'd)

Figure 4. Memory Map (ST7SUPERLITE)



**REGISTER AND MEMORY MAP (Cont'd)**

**Legend:** x=undefined, R/W=read/write

**Table 2. Hardware Register Map**

Address	Block	Register Label	Register Name	Reset Status	Remarks
0000h 0001h 0002h	Port A	PADR PADDR PAOR	Port A Data Register Port A Data Direction Register Port A Option Register	00h <sup>1)</sup> 00h 40h	R/W R/W R/W
0003h 0004h 0005h	Port B	PBDR PBDDR PBOR	Port B Data Register Port B Data Direction Register Port B Option Register	E0h <sup>1)</sup> 00h 00h	R/W R/W R/W <sup>2)</sup>
0006h to 000Ah	Reserved area (5 bytes)				
000Bh 000Ch	LITE TIMER	LTCSR LTICR	Lite Timer Control/Status Register Lite Timer Input Capture Register	xxh xxh	R/W Read Only
000Dh 000Eh 000Fh 0010h 0011h 0012h 0013h	AUTO-RELOAD TIMER	ATCSR CNTRH CNTRL ATRH ATRL PWMCR PWM0CSR	Timer Control/Status Register Counter Register High Counter Register Low Auto-Reload Register High Auto-Reload Register Low PWM Output Control Register PWM 0 Control/Status Register	00h 00h 00h 00h 00h 00h 00h	R/W Read Only Read Only R/W R/W R/W R/W
0014h to 0016h	Reserved area (3 bytes)				
0017h 0018h	AUTO-RELOAD TIMER	DCR0H DCR0L	PWM 0 Duty Cycle Register High PWM 0 Duty Cycle Register Low	00h 00h	R/W R/W
0019h to 002Eh	Reserved area (22 bytes)				
0002Fh	FLASH	FCSR	Flash Control/Status Register	00h	R/W
00030h	EEPROM	EECSR	Data EEPROM Control/Status Register	00h	R/W
0031h 0032h 0033h	SPI	SPIDR SPICR SPICSR	SPI Data I/O Register SPI Control Register SPI Control/Status Register	xxh 0xh 00h	R/W R/W R/W
0034h 0035h 0036h	ADC	ADCCSR ADCDAT ADCAMP	A/D Control Status Register A/D Data Register A/D Amplifier Control Register	00h 00h 00h	R/W Read Only R/W
0037h	ITC	EICR	External Interrupt Control Register	00h	R/W
0038h 0039h	CLOCKS	MCCSR RCCR	Main Clock Control/Status Register RC oscillator Control Register	00h FFh	R/W R/W

Address	Block	Register Label	Register Name	Reset Status	Remarks
003Ah	SI	SICSR	System Integrity Control/Status Register	0xh	R/W
003Bh to 007Fh	Reserved area (45 bytes)				

**Notes:**

1. The contents of the I/O port DR registers are readable only in output configuration. In input configuration, the values of the I/O pins are returned instead of the DR register contents.
2. The bits associated with unavailable pins must always keep their reset value.

## 4 FLASH PROGRAM MEMORY

### 4.1 Introduction

The ST7 single voltage extended Flash (XFlash) is a non-volatile memory that can be electrically erased and programmed either on a byte-by-byte basis or up to 32 bytes in parallel.

The XFlash devices can be programmed off-board (plugged in a programming tool) or on-board using In-Circuit Programming or In-Application Programming.

The array matrix organisation allows each sector to be erased and reprogrammed without affecting other sectors.

### 4.2 Main Features

- ICP (In-Circuit Programming)
- IAP (In-Application Programming)
- ICT (In-Circuit Testing) for downloading and executing user application test patterns in RAM
- Sector 0 size configurable by option byte
- Read-out and write protection against piracy

### 4.3 PROGRAMMING MODES

The ST7 can be programmed in three different ways:

- Insertion in a programming tool. In this mode, FLASH sectors 0 and 1, option byte row and data EEPROM can be programmed or erased.
- In-Circuit Programming. In this mode, FLASH sectors 0 and 1, option byte row and data EEPROM can be programmed or erased without removing the device from the application board.
- In-Application Programming. In this mode, sector 1 and data EEPROM can be programmed or erased without removing the device from the application board and while the application is running.

#### 4.3.1 In-Circuit Programming (ICP)

ICP uses a protocol called ICC (In-Circuit Communication) which allows an ST7 plugged on a printed circuit board (PCB) to communicate with an external programming device connected via cable. ICP is performed in three steps:

Switch the ST7 to ICC mode (In-Circuit Communications). This is done by driving a specific signal sequence on the ICCCLK/DATA pins while the RESET pin is pulled low. When the ST7 enters ICC mode, it fetches a specific RESET vector which points to the ST7 System Memory containing the ICC protocol routine. This routine enables the ST7 to receive bytes from the ICC interface.

- Download ICP Driver code in RAM from the ICCDATA pin
- Execute ICP Driver code in RAM to program the FLASH memory

Depending on the ICP Driver code downloaded in RAM, FLASH memory programming can be fully customized (number of bytes to program, program locations, or selection of the serial communication interface for downloading).

#### 4.3.2 In Application Programming (IAP)

This mode uses an IAP Driver program previously programmed in Sector 0 by the user (in ICP mode).

This mode is fully controlled by user software. This allows it to be adapted to the user application, (user-defined strategy for entering programming mode, choice of communications protocol used to fetch the data to be stored etc.)

IAP mode can be used to program any memory areas except Sector 0, which is write/erase protected to allow recovery in case errors occur during the programming operation.

## FLASH PROGRAM MEMORY (Cont'd)

## 4.4 ICC interface

ICP needs a minimum of 4 and up to 6 pins to be connected to the programming tool. These pins are:

- RESET: device reset
- $V_{SS}$ : device power supply ground
- ICCCLK: ICC output serial clock pin
- ICCDATA: ICC input serial data pin
- CLKIN: main clock input for external source
- $V_{DD}$ : application board power supply (optional, see Note 3)

## Notes:

1. If the ICCCLK or ICCDATA pins are only used as outputs in the application, no signal isolation is necessary. As soon as the Programming Tool is plugged to the board, even if an ICC session is not in progress, the ICCCLK and ICCDATA pins are not available for the application. If they are used as inputs by the application, isolation such as a serial resistor has to be implemented in case another device forces the signal. Refer to the Programming Tool documentation for recommended resistor values.

2. During the ICP session, the programming tool must control the RESET pin. This can lead to conflicts between the programming tool and the appli-

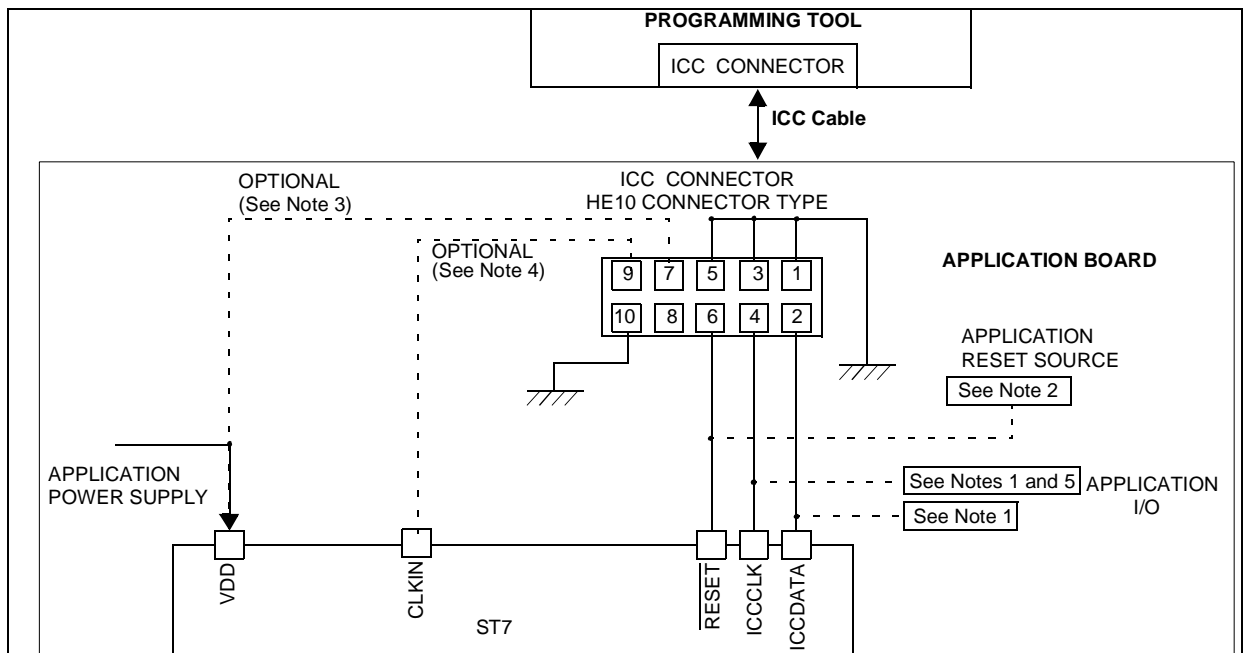
cation reset circuit if it drives more than 5mA at high level (push pull output or pull-up resistor < 1K). A schottky diode can be used to isolate the application RESET circuit in this case. When using a classical RC network with  $R > 1K$  or a reset management IC with open drain output and pull-up resistor  $> 1K$ , no additional components are needed. In all cases the user must ensure that no external reset is generated by the application during the ICC session.

3. The use of Pin 7 of the ICC connector depends on the Programming Tool architecture. This pin must be connected when using most ST Programming Tools (it is used to monitor the application power supply). Please refer to the Programming Tool manual.

4. Pin 9 has to be connected to the CLKIN pin of the ST7 when the clock is not available in the application or if the selected clock option is not programmed in the option byte.

5. During reset, this pin must be held at high level to avoid entering ICC mode unexpectedly (this is guaranteed by the internal pull-up if the application leaves the pin floating).

Figure 5. Typical ICC Interface



FLASH PROGRAM MEMORY (Cont'd)

4.5 Memory Protection

There are two different types of memory protection: Read Out Protection and Write/Erase Protection which can be applied individually.

4.5.1 Read out Protection

Read out protection, when selected, makes it impossible to extract the memory content from the microcontroller, thus preventing piracy. Both program and data E<sup>2</sup> memory are protected.

In flash devices, this protection is removed by reprogramming the option. In this case, both program and data E<sup>2</sup> memory are automatically erased, and the device can be reprogrammed.

Read-out protection selection depends on the device type:

- In Flash devices it is enabled and removed through the FMP\_R bit in the option byte.
- In ROM devices it is enabled by mask option specified in the Option List.

4.5.2 Flash Write/Erase Protection

Write/erase protection, when set, makes it impossible to both overwrite and erase program memory. It does not apply to E<sup>2</sup> data. Its purpose is to provide advanced security to applications and prevent any change being made to the memory content.

**Warning:** Once set, Write/erase protection can never be removed. A write-protected flash device is no longer reprogrammable.

Write/erase protection is enabled through the FMP\_W bit in the option byte.

Table 3. FLASH Register Map and Reset Values

Address (Hex.)	Register Label	7	6	5	4	3	2	1	0
002Fh	FCSR Reset Value	0	0	0	0	0	OPT 0	LAT 0	PGM 0

4.6 Related Documentation

For details on Flash programming and ICC protocol, refer to the ST7 Flash Programming Reference Manual and to the ST7 ICC Protocol Reference Manual.

4.7 Register Description

FLASH CONTROL/STATUS REGISTER (FCSR)

Read/Write

Reset Value: 000 0000 (00h)

1st RASS Key: 0101 0110 (56h)

2nd RASS Key: 1010 1110 (AEh)

7							0
0	0	0	0	0	OPT	LAT	PGM

**Note:** This register is reserved for programming using ICP, IAP or other programming methods. It controls the XFlash programming and erasing operations.

When an EPB or another programming tool is used (in socket or ICP mode), the RASS keys are sent automatically.

## 5 DATA EEPROM

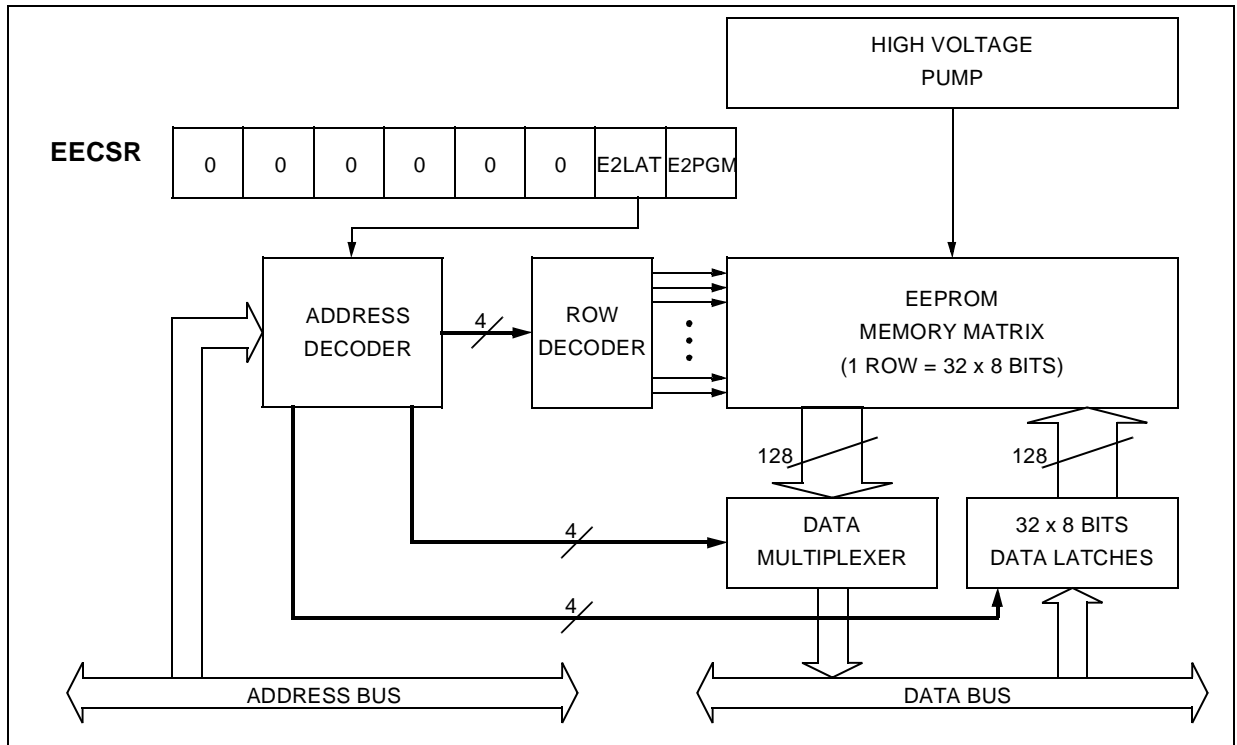
### 5.1 INTRODUCTION

The Electrically Erasable Programmable Read Only Memory can be used as a non volatile back-up for storing data. Using the EEPROM requires a basic access protocol described in this chapter.

### 5.2 MAIN FEATURES

- Up to 32 Bytes programmed in the same cycle
- EEPROM mono-voltage (charge pump)
- Chained erase and programming cycles
- Internal control of the global programming cycle duration
- WAIT mode management
- Readout protection against piracy

Figure 6. EEPROM Block Diagram



DATA EEPROM (Cont'd)

5.3 MEMORY ACCESS

The Data EEPROM memory read/write access modes are controlled by the E2LAT bit of the EEPROM Control/Status register (EECSR). The flowchart in Figure 7 describes these different memory access modes.

Read Operation (E2LAT=0)

The EEPROM can be read as a normal ROM location when the E2LAT bit of the EECSR register is cleared. In a read cycle, the byte to be accessed is put on the data bus in less than 1 CPU clock cycle. This means that reading data from EEPROM takes the same time as reading data from EPROM, but this memory cannot be used to execute machine code.

Write Operation (E2LAT=1)

To access the write mode, the E2LAT bit has to be set by software (the E2PGM bit remains cleared). When a write access to the EEPROM area occurs,

the value is latched inside the 32 data latches according to its address.

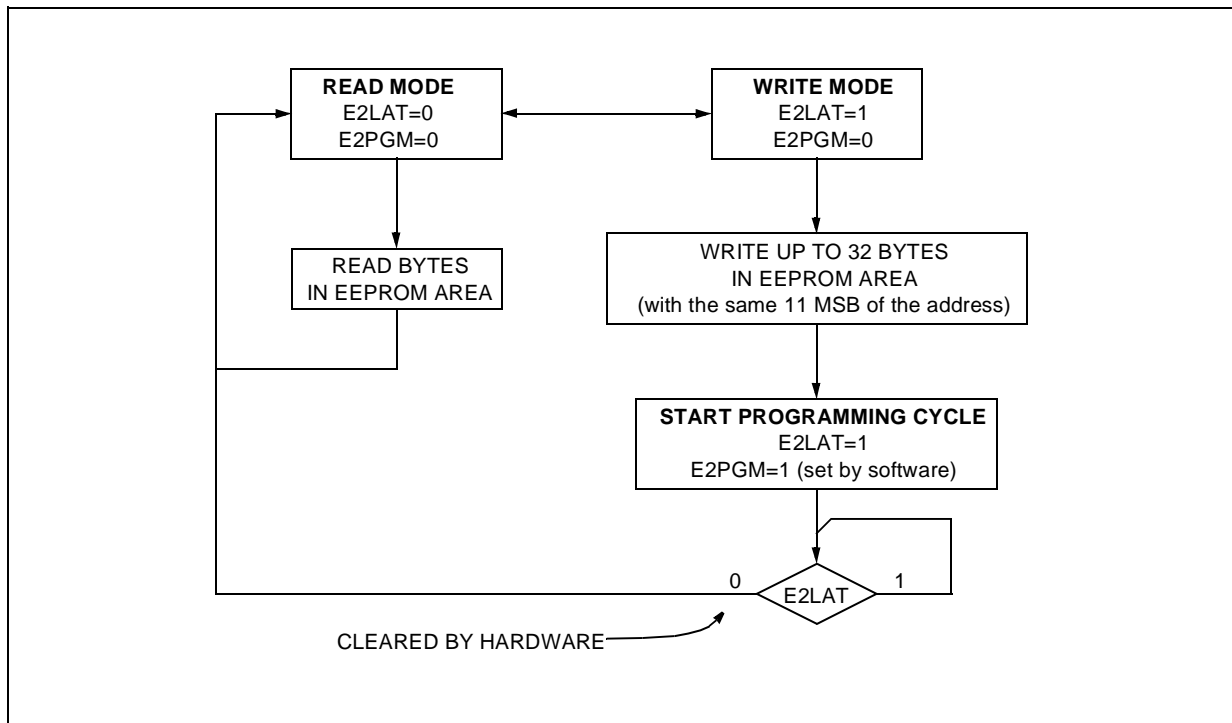
When PGM bit is set by the software, all the previous bytes written in the data latches (up to 32) are programmed in the EEPROM cells. The effective high address (row) is determined by the last EEPROM write sequence. To avoid wrong programming, the user must take care that all the bytes written between two programming sequences have the same high address: only the five Least Significant Bits of the address can change.

At the end of the programming cycle, the PGM and LAT bits are cleared simultaneously.

**Note:** Care should be taken during the programming cycle. Writing to the same memory location will over-program the memory (logical AND between the two write access data result) because the data latches are only cleared at the end of the programming cycle and by the falling edge of the E2LAT bit.

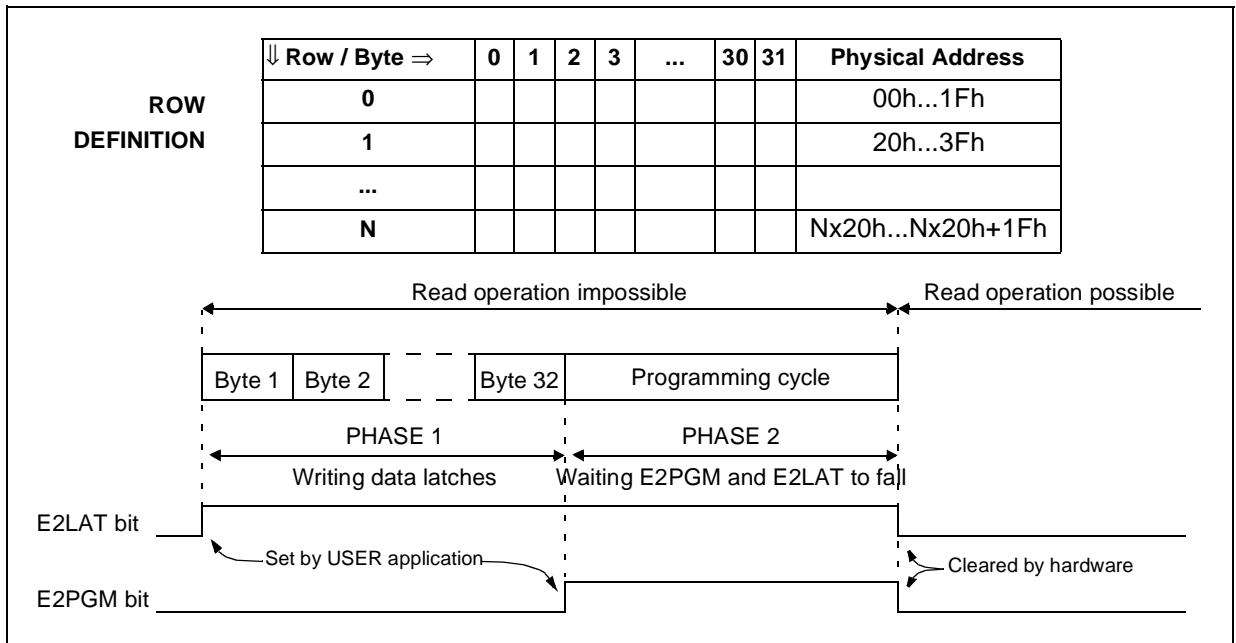
It is not possible to read the latched data. This note is illustrated by the Figure 9.

Figure 7. Data EEPROM Programming Flowchart





## DATA EEPROM (Cont'd)

Figure 8. Data E<sup>2</sup>PROM Write Operation

**Note:** If a programming cycle is interrupted (by software or a reset action), the integrity of the data in memory is not guaranteed.

DATA EEPROM (Cont'd)

5.4 POWER SAVING MODES

Wait mode

The DATA EEPROM can enter WAIT mode on execution of the WFI instruction of the microcontroller or when the microcontroller enters Active-HALT mode. The DATA EEPROM will immediately enter this mode if there is no programming in progress, otherwise the DATA EEPROM will finish the cycle and then enter WAIT mode.

Active-Halt mode

Refer to Wait mode.

Halt mode

The DATA EEPROM immediately enters HALT mode if the microcontroller executes the HALT instruction. Therefore the EEPROM will stop the function in progress, and data may be corrupted.

5.5 ACCESS ERROR HANDLING

If a read access occurs while E2LAT=1, then the data bus will not be driven.

If a write access occurs while E2LAT=0, then the data on the bus will not be latched.

If a programming cycle is interrupted (by software/RESET action), the memory data will not be guaranteed.

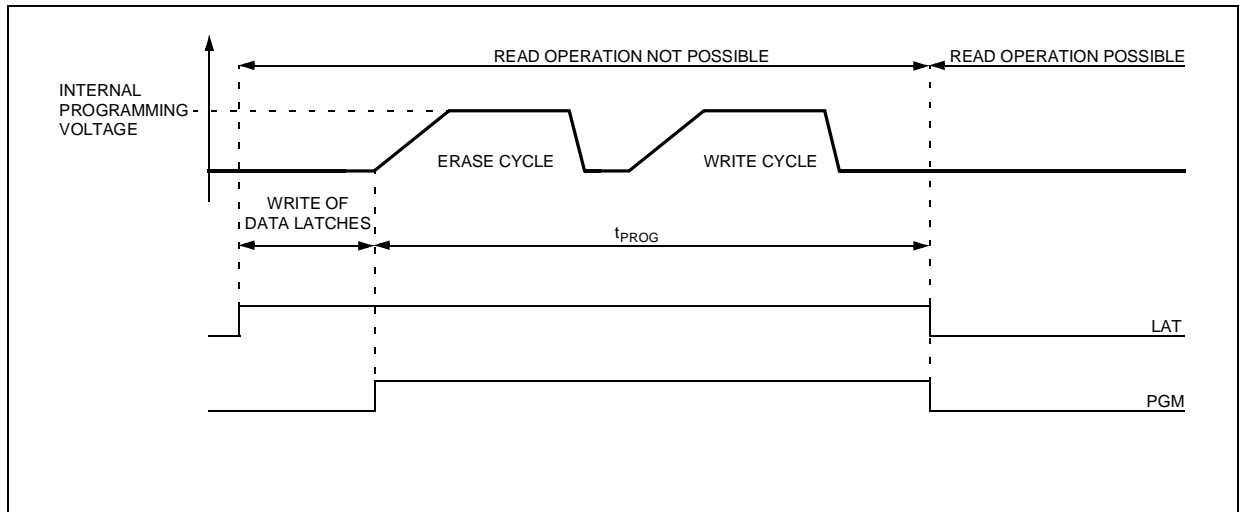
5.6 Data EEPROM Read-out Protection

The read-out protection is enabled through an option bit (see section 15.1 on page 109).

When this option is selected, the programs and data stored in the EEPROM memory are protected against read-out piracy (including a re-write protection). In Flash devices, when this protection is removed by reprogramming the Option Byte, the entire Program memory and EEPROM is first automatically erased.

**Note:** Both Program Memory and data EEPROM are protected using the same option bit.

Figure 9. Data EEPROM Programming Cycle



## DATA EEPROM (Cont'd)

## 5.7 REGISTER DESCRIPTION

## EEPROM CONTROL/STATUS REGISTER (EECSR)

Read/Write

Reset Value: 0000 0000 (00h)

7							0
0	0	0	0	0	0	E2LAT	E2PGM

Bits 7:2 = Reserved, forced by hardware to 0.

Bit 1 = **E2LAT** *Latch Access Transfer*

This bit is set by software. It is cleared by hardware at the end of the programming cycle. It can only be cleared by software if the E2PGM bit is cleared.

0: Read mode

1: Write mode

Bit 0 = **E2PGM** *Programming control and status*

This bit is set by software to begin the programming cycle. At the end of the programming cycle, this bit is cleared by hardware.

0: Programming finished or not yet started

1: Programming cycle is in progress

**Note:** if the E2PGM bit is cleared during the programming cycle, the memory data is not guaranteed

Table 4. DATA EEPROM Register Map and Reset Values

Address (Hex.)	Register Label	7	6	5	4	3	2	1	0
0030h	EECSR Reset Value	0	0	0	0	0	0	E2LAT 0	E2PGM 0

## 6 CENTRAL PROCESSING UNIT

### 6.1 INTRODUCTION

This CPU has a full 8-bit architecture and contains six internal registers allowing efficient 8-bit data manipulation.

### 6.2 MAIN FEATURES

- 63 basic instructions
- Fast 8-bit by 8-bit multiply
- 17 main addressing modes
- Two 8-bit index registers
- 16-bit stack pointer
- Low power modes
- Maskable hardware interrupts
- Non-maskable software interrupt

### 6.3 CPU REGISTERS

The 6 CPU registers shown in [Figure 10](#) are not present in the memory mapping and are accessed by specific instructions.

#### Accumulator (A)

The Accumulator is an 8-bit general purpose register used to hold operands and the results of the arithmetic and logic calculations and to manipulate data.

#### Index Registers (X and Y)

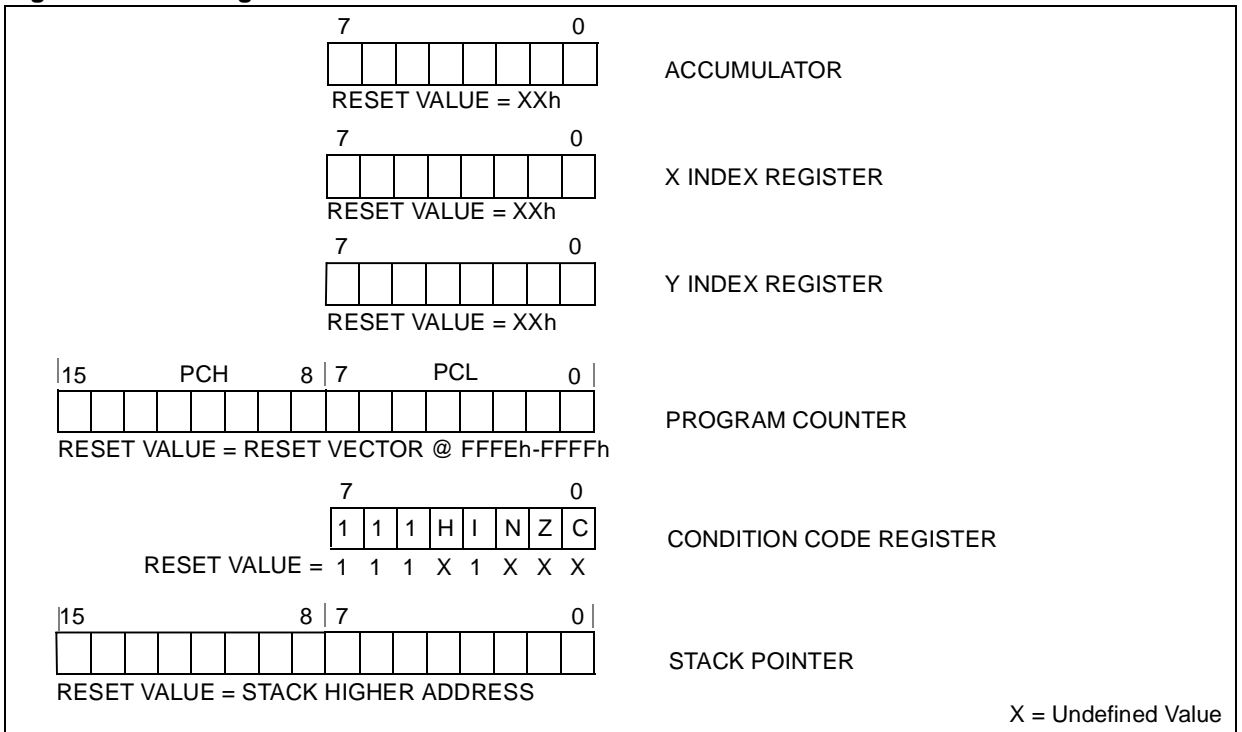
In indexed addressing modes, these 8-bit registers are used to create either effective addresses or temporary storage areas for data manipulation. (The Cross-Assembler generates a precede instruction (PRE) to indicate that the following instruction refers to the Y register.)

The Y register is not affected by the interrupt automatic procedures (not pushed to and popped from the stack).

#### Program Counter (PC)

The program counter is a 16-bit register containing the address of the next instruction to be executed by the CPU. It is made of two 8-bit registers PCL (Program Counter Low which is the LSB) and PCH (Program Counter High which is the MSB).

Figure 10. CPU Registers



**CPU REGISTERS** (Cont'd)**CONDITION CODE REGISTER (CC)**

Read/Write

Reset Value: 111x1xxx

7							0
1	1	1	H	I	N	Z	C

The 8-bit Condition Code register contains the interrupt mask and four flags representative of the result of the instruction just executed. This register can also be handled by the PUSH and POP instructions.

These bits can be individually tested and/or controlled by specific instructions.

**Bit 4 = H Half carry.**

This bit is set by hardware when a carry occurs between bits 3 and 4 of the ALU during an ADD or ADC instruction. It is reset by hardware during the same instructions.

0: No half carry has occurred.

1: A half carry has occurred.

This bit is tested using the JRH or JRNH instruction. The H bit is useful in BCD arithmetic subroutines.

**Bit 3 = I Interrupt mask.**

This bit is set by hardware when entering in interrupt or by software to disable all interrupts except the TRAP software interrupt. This bit is cleared by software.

0: Interrupts are enabled.

1: Interrupts are disabled.

This bit is controlled by the RIM, SIM and IRET instructions and is tested by the JRM and JRNM instructions.

**Note:** Interrupts requested while I is set are latched and can be processed when I is cleared. By default an interrupt routine is not interruptable

because the I bit is set by hardware at the start of the routine and reset by the IRET instruction at the end of the routine. If the I bit is cleared by software in the interrupt routine, pending interrupts are serviced regardless of the priority level of the current interrupt routine.

**Bit 2 = N Negative.**

This bit is set and cleared by hardware. It is representative of the result sign of the last arithmetic, logical or data manipulation. It is a copy of the 7<sup>th</sup> bit of the result.

0: The result of the last operation is positive or null.

1: The result of the last operation is negative (i.e. the most significant bit is a logic 1).

This bit is accessed by the JRMI and JRPL instructions.

**Bit 1 = Z Zero.**

This bit is set and cleared by hardware. This bit indicates that the result of the last arithmetic, logical or data manipulation is zero.

0: The result of the last operation is different from zero.

1: The result of the last operation is zero.

This bit is accessed by the JREQ and JRNE test instructions.

**Bit 0 = C Carry/borrow.**

This bit is set and cleared by hardware and software. It indicates an overflow or an underflow has occurred during the last arithmetic operation.

0: No overflow or underflow has occurred.

1: An overflow or underflow has occurred.

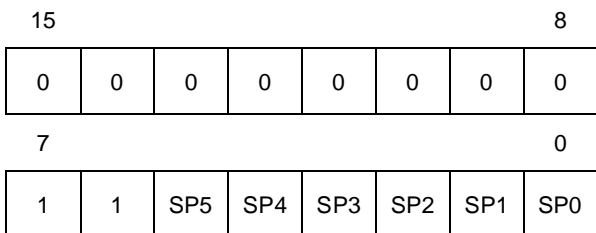
This bit is driven by the SCF and RCF instructions and tested by the JRC and JRNC instructions. It is also affected by the "bit test and branch", shift and rotate instructions.

CPU REGISTERS (Cont'd)

Stack Pointer (SP)

Read/Write

Reset Value: 00 FFh



The Stack Pointer is a 16-bit register which is always pointing to the next free location in the stack. It is then decremented after data has been pushed onto the stack and incremented before data is popped from the stack (see Figure 11).

Since the stack is 64 bytes deep, the 10 most significant bits are forced by hardware. Following an MCU Reset, or after a Reset Stack Pointer instruction (RSP), the Stack Pointer contains its reset value (the SP5 to SP0 bits are set) which is the stack higher address.

The least significant byte of the Stack Pointer (called S) can be directly accessed by a LD instruction.

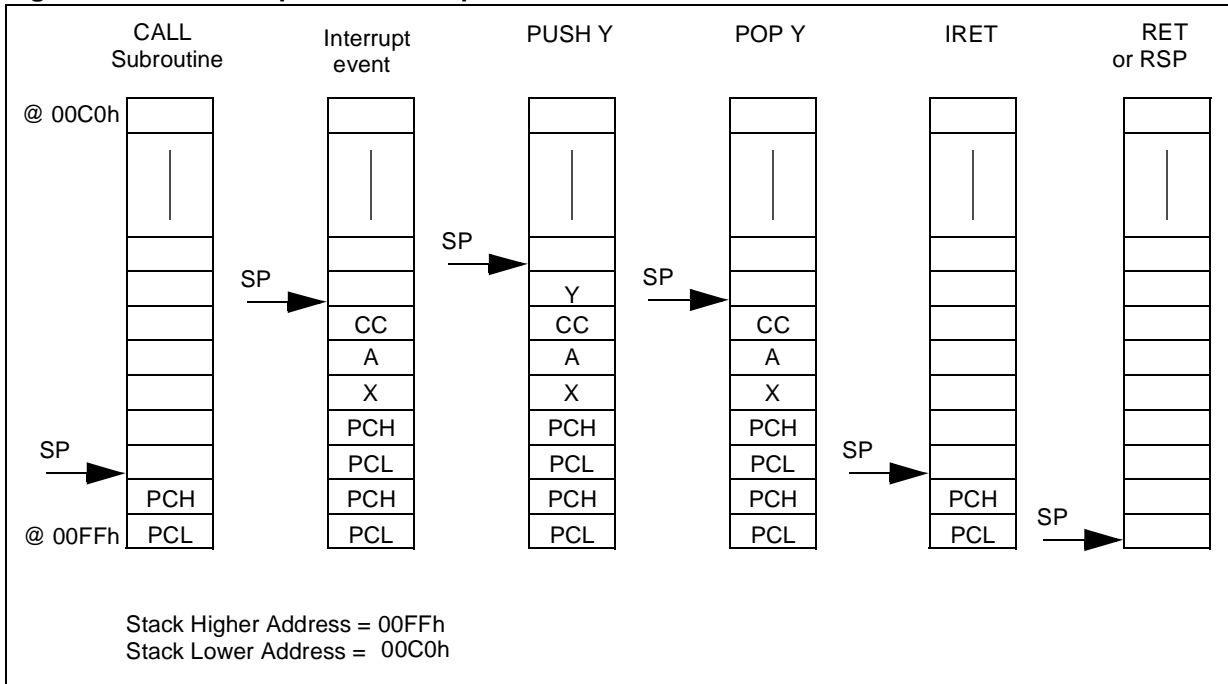
**Note:** When the lower limit is exceeded, the Stack Pointer wraps around to the stack upper limit, without indicating the stack overflow. The previously stored information is then overwritten and therefore lost. The stack also wraps in case of an underflow.

The stack is used to save the return address during a subroutine call and the CPU context during an interrupt. The user may also directly manipulate the stack by means of the PUSH and POP instructions. In the case of an interrupt, the PCL is stored at the first location pointed to by the SP. Then the other registers are stored in the next locations as shown in Figure 11.

- When an interrupt is received, the SP is decremented and the context is pushed on the stack.
- On return from interrupt, the SP is incremented and the context is popped from the stack.

A subroutine call occupies two locations and an interrupt five locations in the stack area.

Figure 11. Stack Manipulation Example



## 7 SUPPLY, RESET AND CLOCK MANAGEMENT

The device includes a range of utility features for securing the application in critical situations (for example in case of a power brown-out), and reducing the number of external components.

### Main features

- Clock Management
  - 1 MHz internal RC oscillator (enabled by option byte)
  - External Clock Input (enabled by option byte)
  - PLL for multiplying the frequency by 4 or 8 (enabled by option byte)
- Reset Sequence Manager (RSM)
- System Integrity Management (SI)
  - Main supply Low voltage detection (LVD) with reset generation (enabled by option byte)
  - Auxiliary Voltage detector (AVD) with interrupt capability for monitoring the main supply (enabled by option byte)

### 7.1 INTERNAL RC OSCILLATOR ADJUSTMENT

The ST7LITE0 and ST7SUPERLITE contain an internal RC oscillator with an accuracy of 1% for a given device, temperature and voltage. It must be calibrated to obtain the frequency required in the application. This is done by software writing a calibration value in the RCCR (RC Control Register). Whenever the microcontroller is reset, the RCCR returns to its default value (FFh), i.e. each time the device is reset, the calibration value must be loaded in the RCCR. Predefined calibration values are stored in EEPROM for 3.0 and 5V  $V_{DD}$  supply voltages at 25°C, as shown in the following table.

#### Notes:

- See “ELECTRICAL CHARACTERISTICS” on page 78. for more information on the frequency and accuracy of the RC oscillator.
- To improve clock stability, it is recommended to place a decoupling capacitor between the  $V_{DD}$

RCCR	Conditions	ST7FLITE09 Address	ST7FLITE02/ ST7FLITE05/ ST7FLITES2/ ST7FLITES5 Address
RCCR0	$V_{DD}=5V$ $T_A=25^{\circ}C$ $f_{RC}=1MHz$	1000h and FFDEh	FFDEh
RCCR1	$V_{DD}=3.0V$ $T_A=25^{\circ}C$ $f_{RC}=700KHz$	1001h and- FFDFh	FFDFh

and  $V_{SS}$  pins as close as possible to the ST7 device.

- These two bytes are systematically programmed by ST, including on FASTROM devices. Consequently, customers intending to use FASTROM service must not use these two bytes.

**Caution:** If the voltage or temperature conditions change in the application, the frequency may need to be recalibrated.

Refer to application note AN1324 for information on how to calibrate the RC frequency using an external reference signal.

### 7.2 PHASE LOCKED LOOP

The PLL can be used to multiply a 1MHz frequency from the RC oscillator or the external clock by 4 or 8 to obtain  $f_{OSC}$  of 4 or 8 MHz. The PLL is enabled and the multiplication factor of 4 or 8 is selected by 2 option bits.

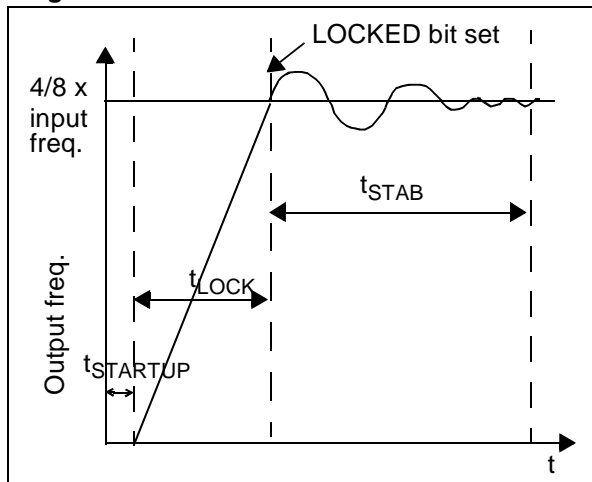
- The x4 PLL is intended for operation with  $V_{DD}$  in the 2.4V to 3.3V range
- The x8 PLL is intended for operation with  $V_{DD}$  in the 3.3V to 5.5V range

Refer to [Section 15.1](#) for the option byte description.

If the PLL is disabled and the RC oscillator is enabled, then  $f_{OSC} = 1MHz$ .

If both the RC oscillator and the PLL are disabled,  $f_{OSC}$  is driven by the external clock.

Figure 12. PLL Output Frequency Timing Diagram



When the PLL is started, after reset or wakeup from Halt mode or AWUFH mode, it outputs the clock after a delay of  $t_{STARTUP}$ .

When the PLL output signal reaches the operating frequency, the LOCKED bit in the SICSCR register is set. Full PLL accuracy ( $ACC_{PLL}$ ) is reached after a stabilization time of  $t_{STAB}$  (see Figure 12 and 13.3.4 Internal RC Oscillator and PLL)

Refer to section 7.5.4 on page 32 for a description of the LOCKED bit in the SICSCR register.

7.3 REGISTER DESCRIPTION

MAIN CLOCK CONTROL/STATUS REGISTER (MCCSR)

Read / Write  
Reset Value: 0000 0000 (00h)

7							0	
00	0	0	0	0	0	0	MCO	SMS

Bits 7:2 = Reserved, must be kept cleared.

Table 5. Clock Register Map and Reset Values

Address (Hex.)	Register Label	7	6	5	4	3	2	1	0
0038h	MCCSR Reset Value	0	0	0	0	0	0	MCO 0	SMS 0
0039h	RCCR Reset Value	CR70 1	CR60 1	CR50 1	CR40 1	CR30 1	CR20 1	CR10 1	CR0 1

Bit 1 = MCO Main Clock Out enable

This bit is read/write by software and cleared by hardware after a reset. This bit allows to enable the MCO output clock.  
0: MCO clock disabled, I/O port free for general purpose I/O.  
1: MCO clock enabled.

Bit 0 = SMS Slow Mode select

This bit is read/write by software and cleared by hardware after a reset. This bit selects the input clock  $f_{OSC}$  or  $f_{OSC}/32$ .  
0: Normal mode ( $f_{CPU} = f_{OSC}$ )  
1: Slow mode ( $f_{CPU} = f_{OSC}/32$ )

RC CONTROL REGISTER (RCCR)

Read / Write  
Reset Value: 1111 1111 (FFh)

7							0
CR70	CR60	CR50	CR40	CR30	CR20	CR10	CR0

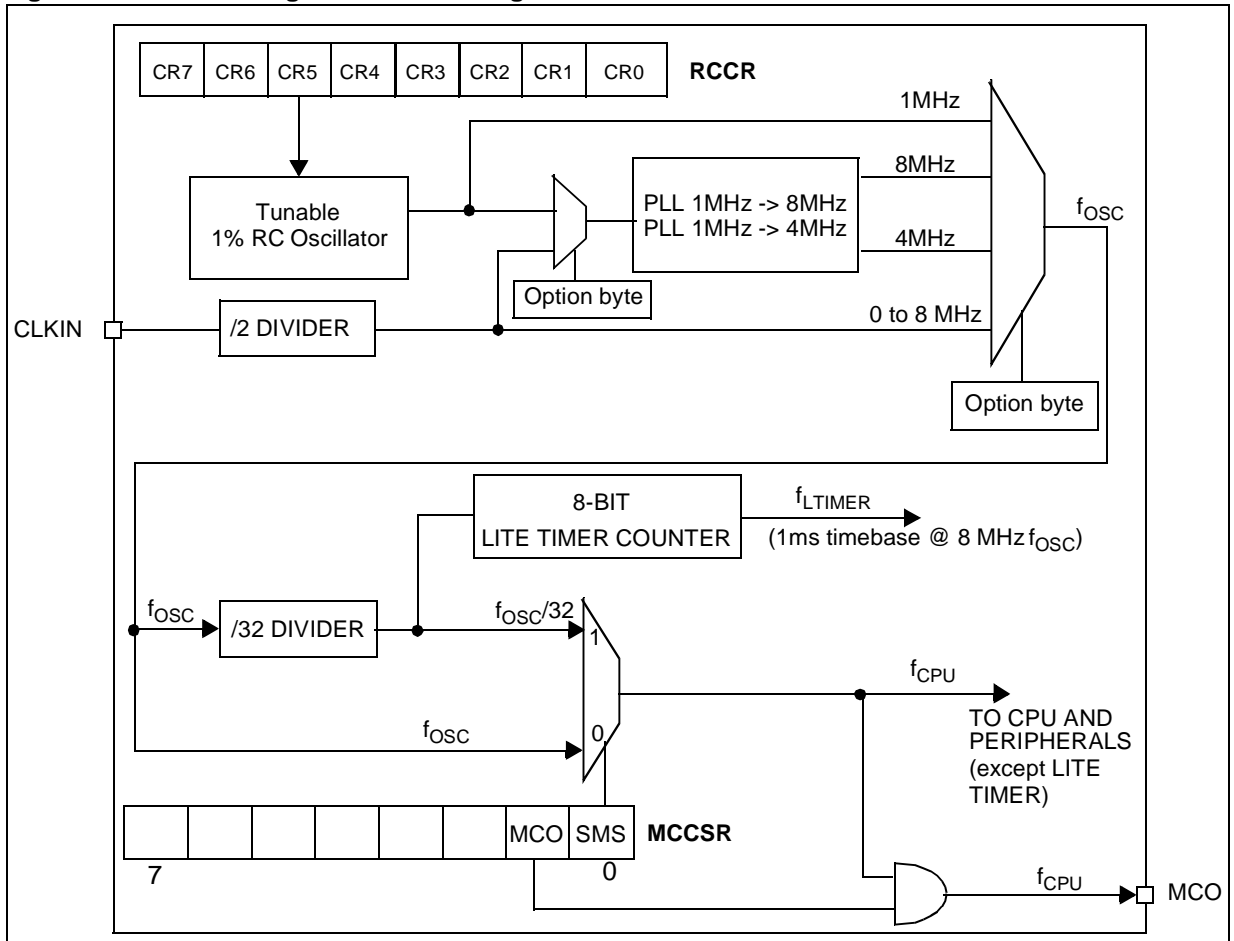
Bits 7:0 = CR[7:0] RC Oscillator Frequency Adjustment Bits

These bits must be written immediately after reset to adjust the RC oscillator frequency and to obtain an accuracy of 1%. The application can store the correct value for each voltage range in EEPROM and write it to this register at start-up.  
00h = maximum available frequency  
FFh = lowest available frequency

**Note:** To tune the oscillator, write a series of different values in the register until the correct frequency is reached. The fastest method is to use a dichotomy starting with 80h.



Figure 13. Clock Management Block Diagram



7.4 RESET SEQUENCE MANAGER (RSM)

7.4.1 Introduction

The reset sequence manager includes three RESET sources as shown in Figure 15:

- External  $\overline{\text{RESET}}$  source pulse
- Internal LVD RESET (Low Voltage Detection)
- Internal WATCHDOG RESET

These sources act on the  $\overline{\text{RESET}}$  pin and it is always kept low during the delay phase.

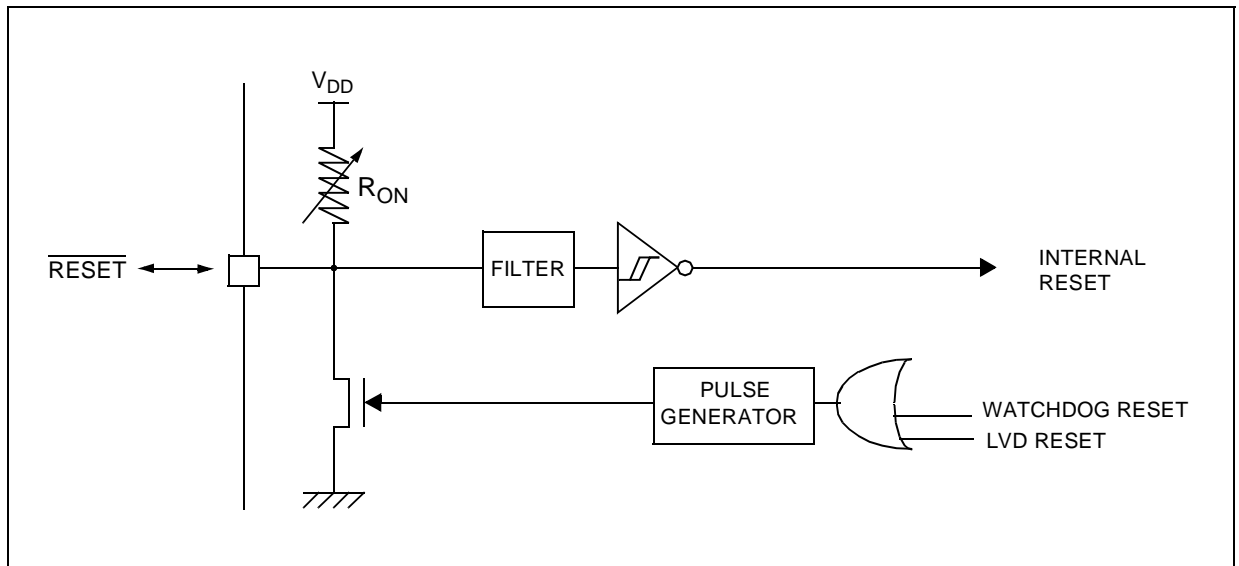
The RESET service routine vector is fixed at addresses FFFEh-FFFFh in the ST7 memory map.

The basic RESET sequence consists of 3 phases as shown in Figure 14:

- Active Phase depending on the RESET source
- 256 CPU clock cycle delay
- RESET vector fetch

The 256 CPU clock cycle delay allows the oscillator to stabilise and ensures that recovery has taken place from the Reset state.

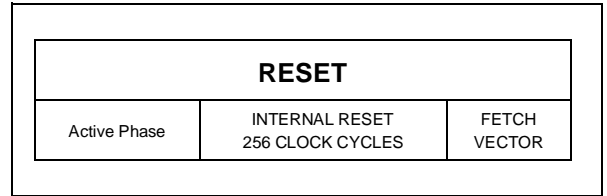
Figure 15. Reset Block Diagram



The RESET vector fetch phase duration is 2 clock cycles.

If the PLL is enabled by option byte, it outputs the clock after an additional delay of  $t_{\text{STARTUP}}$  (see Figure 12).

Figure 14. RESET Sequence Phases



**RESET SEQUENCE MANAGER (Cont'd)**

**7.4.2 Asynchronous External  $\overline{\text{RESET}}$  pin**

The  $\overline{\text{RESET}}$  pin is both an input and an open-drain output with integrated  $R_{\text{ON}}$  weak pull-up resistor. This pull-up has no fixed value but varies in accordance with the input voltage. It can be pulled low by external circuitry to reset the device. See Electrical Characteristic section for more details.

A RESET signal originating from an external source must have a duration of at least  $t_{\text{h(RSTL)}}_{\text{in}}$  in order to be recognized (see Figure 16). This detection is asynchronous and therefore the MCU can enter reset state even in HALT mode.

The  $\overline{\text{RESET}}$  pin is an asynchronous signal which plays a major role in EMS performance. In a noisy environment, it is recommended to follow the guidelines mentioned in the electrical characteristics section.

**7.4.3 External Power-On RESET**

If the LVD is disabled by option byte, to start up the microcontroller correctly, the user must ensure by means of an external reset circuit that the reset signal is held low until  $V_{\text{DD}}$  is over the minimum level specified for the selected  $f_{\text{OSC}}$  frequency.

A proper reset signal for a slow rising  $V_{\text{DD}}$  supply can generally be provided by an external RC network connected to the  $\overline{\text{RESET}}$  pin.

**7.4.4 Internal Low Voltage Detector (LVD) RESET**

Two different RESET sequences caused by the internal LVD circuitry can be distinguished:

- Power-On RESET
- Voltage Drop RESET

The device  $\overline{\text{RESET}}$  pin acts as an output that is pulled low when  $V_{\text{DD}} < V_{\text{IT+}}$  (rising edge) or  $V_{\text{DD}} < V_{\text{IT-}}$  (falling edge) as shown in Figure 16.

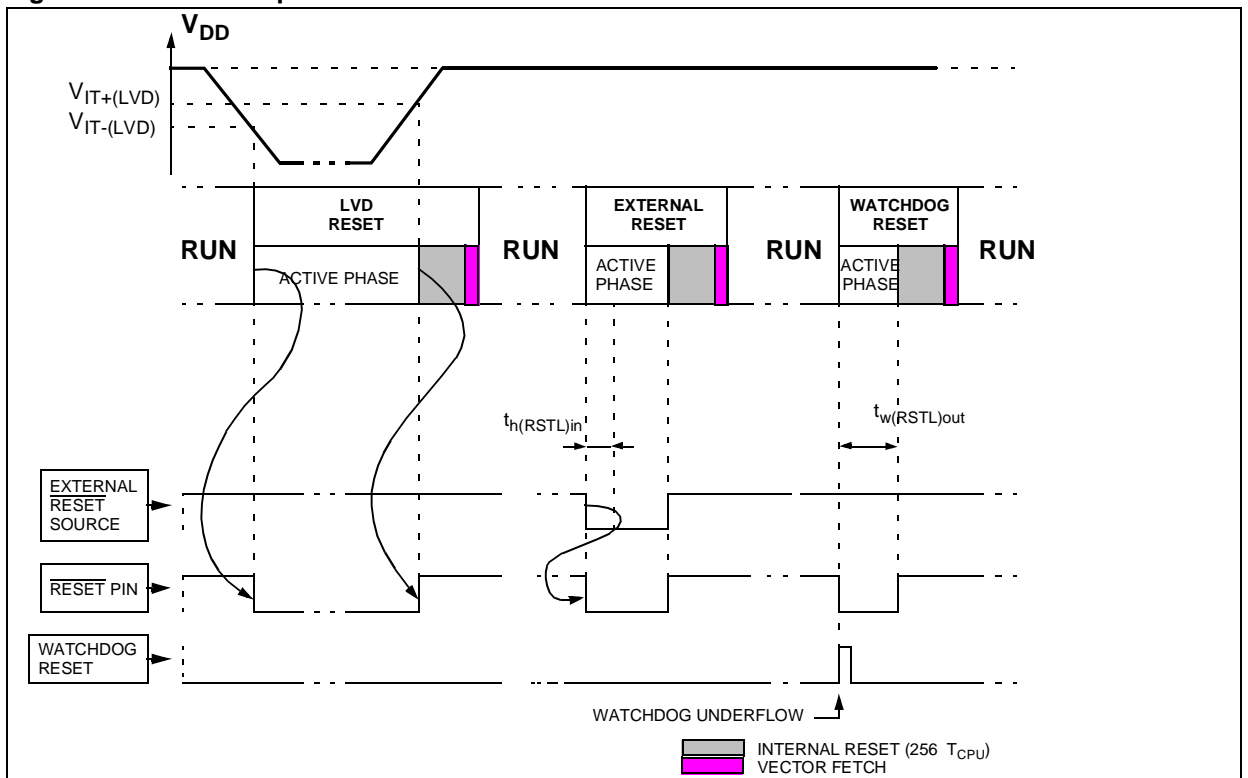
The LVD filters spikes on  $V_{\text{DD}}$  larger than  $t_{\text{g(VDD)}}$  to avoid parasitic resets.

**7.4.5 Internal Watchdog RESET**

The RESET sequence generated by a internal Watchdog counter overflow is shown in Figure 16.

Starting from the Watchdog counter underflow, the device  $\overline{\text{RESET}}$  pin acts as an output that is pulled low during at least  $t_{\text{w(RSTL)}}_{\text{out}}$ .

**Figure 16. RESET Sequences**



7.5 SYSTEM INTEGRITY MANAGEMENT (SI)

The System Integrity Management block contains the Low voltage Detector (LVD) and Auxiliary Voltage Detector (AVD) functions. It is managed by the SICSR register.

7.5.1 Low Voltage Detector (LVD)

The Low Voltage Detector function (LVD) generates a static reset when the  $V_{DD}$  supply voltage is below a  $V_{IT-(LVD)}$  reference value. This means that it secures the power-up as well as the power-down keeping the ST7 in reset.

The  $V_{IT-(LVD)}$  reference value for a voltage drop is lower than the  $V_{IT+(LVD)}$  reference value for power-on in order to avoid a parasitic reset when the MCU starts running and sinks current on the supply (hysteresis).

The LVD Reset circuitry generates a reset when  $V_{DD}$  is below:

- $V_{IT+(LVD)}$  when  $V_{DD}$  is rising
- $V_{IT-(LVD)}$  when  $V_{DD}$  is falling

The LVD function is illustrated in Figure 17.

The voltage threshold can be configured by option byte to be low, medium or high. See section 15.1 on page 109.

Provided the minimum  $V_{DD}$  value (guaranteed for the oscillator frequency) is above  $V_{IT-(LVD)}$ , the MCU can only be in two modes:

- under full software control
- in static safe reset

In these conditions, secure operation is always ensured for the application without the need for external reset hardware.

During a Low Voltage Detector Reset, the  $\overline{RESET}$  pin is held low, thus permitting the MCU to reset other devices.

Notes:

The LVD is an optional function which can be selected by option byte. See section 15.1 on page 109.

It allows the device to be used without any external RESET circuitry.

If the LVD is disabled, an external circuitry must be used to ensure a proper power-on reset.

**Caution:** If an LVD reset occurs after a watchdog reset has occurred, the LVD will take priority and will clear the watchdog flag.

Figure 17. Low Voltage Detector vs Reset

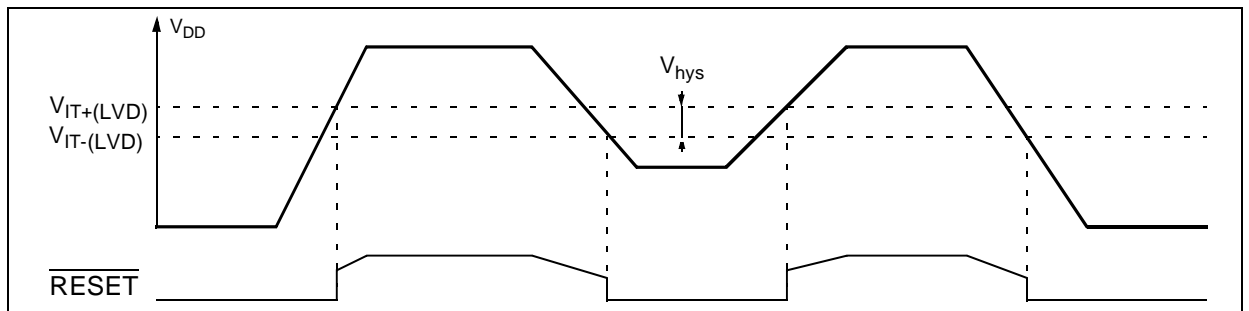
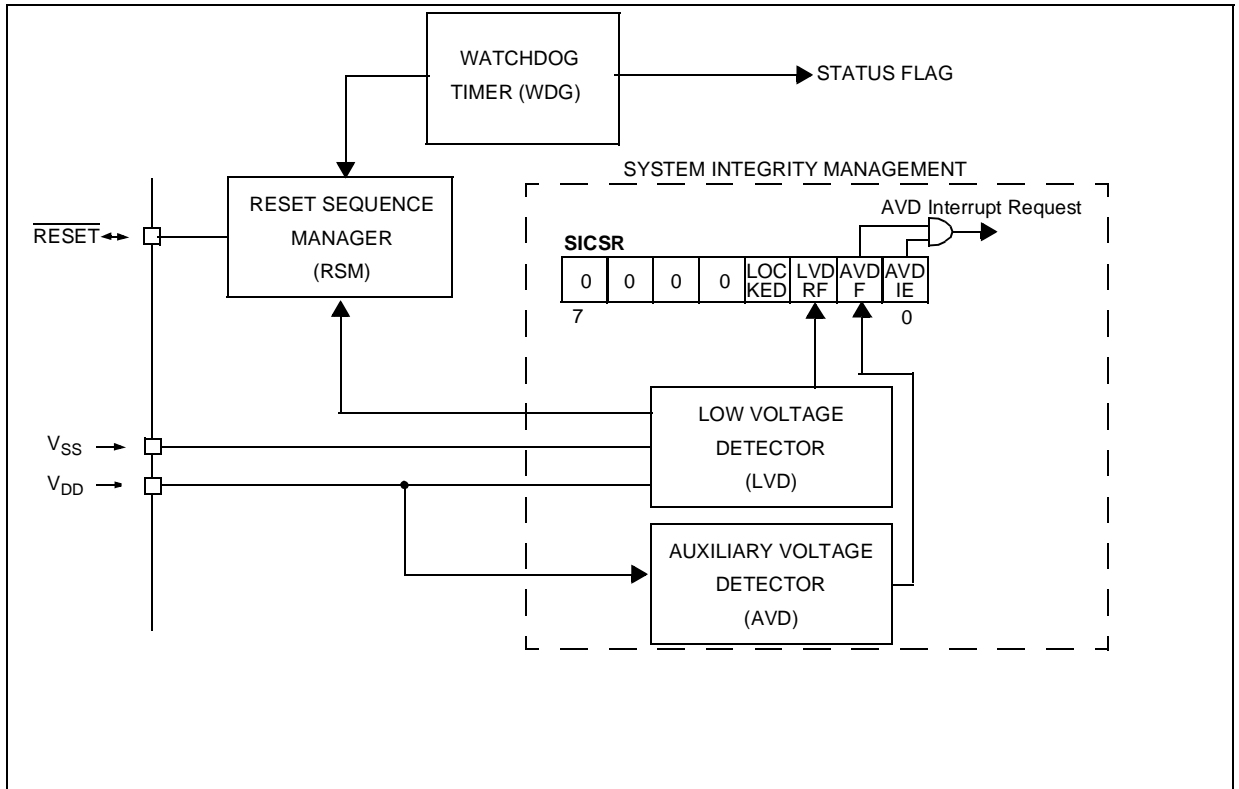


Figure 18. Reset and Supply Management Block Diagram



SYSTEM INTEGRITY MANAGEMENT (Cont'd)

7.5.2 Auxiliary Voltage Detector (AVD)

The Voltage Detector function (AVD) is based on an analog comparison between a  $V_{IT-(AVD)}$  and  $V_{IT+(AVD)}$  reference value and the  $V_{DD}$  main supply voltage ( $V_{AVD}$ ). The  $V_{IT-(AVD)}$  reference value for falling voltage is lower than the  $V_{IT+(AVD)}$  reference value for rising voltage in order to avoid parasitic detection (hysteresis).

The output of the AVD comparator is directly readable by the application software through a real time status bit (AVDF) in the SICSR register. This bit is read only.

**Caution:** The AVD functions only if the LVD is enabled through the option byte.

7.5.2.1 Monitoring the  $V_{DD}$  Main Supply

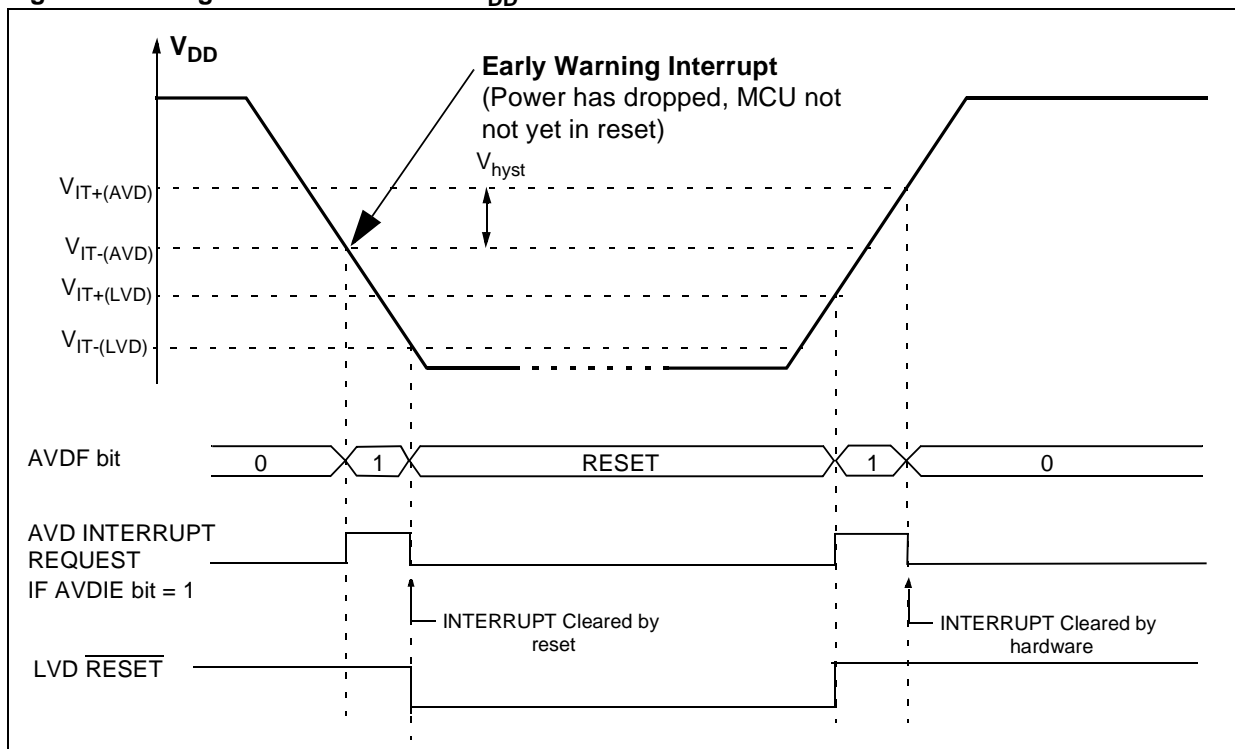
The AVD voltage threshold value is relative to the selected LVD threshold configured by option byte (see section 15.1 on page 109).

If the AVD interrupt is enabled, an interrupt is generated when the voltage crosses the  $V_{IT+(LVD)}$  or  $V_{IT-(AVD)}$  threshold (AVDF bit is set).

In the case of a drop in voltage, the AVD interrupt acts as an early warning, allowing software to shut down safely before the LVD resets the microcontroller. See Figure 19.

The interrupt on the rising edge is used to inform the application that the  $V_{DD}$  warning state is over

Figure 19. Using the AVD to Monitor  $V_{DD}$



**SYSTEM INTEGRITY MANAGEMENT (Cont'd)****7.5.3 Low Power Modes**

Mode	Description
WAIT	No effect on SI. AVD interrupts cause the device to exit from Wait mode.
HALT	The CRSR register is frozen. The AVD remains active but the AVD interrupt cannot be used to exit from Halt mode.

set and the interrupt mask in the CC register is reset (RIM instruction).

Interrupt Event	Event Flag	Enable Control Bit	Exit from Wait	Exit from Halt
AVD event	AVDF	AVDIE	Yes	Yes

**7.5.3.1 Interrupts**

The AVD interrupt event generates an interrupt if the corresponding Enable Control Bit (AVDIE) is

**SYSTEM INTEGRITY MANAGEMENT (Cont'd)**

**7.5.4 Register Description**

**SYSTEM INTEGRITY (SI) CONTROL/STATUS REGISTER (SICSR)**

Read/Write

Reset Value: 0000 0x00 (0xh)

7							0
0	0	0	0	LOCK ED	LVDRF	AVDF	AVDIE

Bit 7:4 = Reserved, must be kept cleared.

**Bit 3 = LOCKED PLL Locked Flag**

This bit is set and cleared by hardware. It is set automatically when the PLL reaches its operating frequency.

0: PLL not locked  
1: PLL locked

**Bit 2 = LVDRF LVD reset flag**

This bit indicates that the last Reset was generated by the LVD block. It is set by hardware (LVD reset) and cleared by software (writing zero). See WDGRF flag description in [Section 11.1](#) for more details. When the LVD is disabled by OPTION BYTE, the LVDRF bit value is undefined.

**Bit 1 = AVDF Voltage Detector flag**

This read-only bit is set and cleared by hardware.

**Table 6. System Integrity Register Map and Reset Values**

Address (Hex.)	Register Label	7	6	5	4	3	2	1	0
003Ah	SICSR Reset Value	0	0	0	0	LOCKED 0	LVDRF x	AVDF 0	AVDIE 0

If the AVDIE bit is set, an interrupt request is generated when the AVDF bit changes value. Refer to [Figure 19](#) for additional details

0: V<sub>DD</sub> over AVD threshold  
1: V<sub>DD</sub> under AVD threshold

**Bit 0 = AVDIE Voltage Detector interrupt enable**  
This bit is set and cleared by software. It enables an interrupt to be generated when the AVDF flag changes (toggles). The pending interrupt information is automatically cleared when software enters the AVD interrupt routine.

0: AVD interrupt disabled  
1: AVD interrupt enabled

**Application notes**

The LVDRF flag is not cleared when another RESET type occurs (external or watchdog), the LVDRF flag remains set to keep trace of the original failure.

In this case, a watchdog reset can be detected by software while an external reset can not.



## 8 INTERRUPTS

The ST7 core may be interrupted by one of two different methods: maskable hardware interrupts as listed in the Interrupt Mapping Table and a non-maskable software interrupt (TRAP). The Interrupt processing flowchart is shown in [Figure 20](#).

The maskable interrupts must be enabled by clearing the I bit in order to be serviced. However, disabled interrupts may be latched and processed when they are enabled (see external interrupts subsection).

**Note:** After reset, all interrupts are disabled.

When an interrupt has to be serviced:

- Normal processing is suspended at the end of the current instruction execution.
- The PC, X, A and CC registers are saved onto the stack.
- The I bit of the CC register is set to prevent additional interrupts.
- The PC is then loaded with the interrupt vector of the interrupt to service and the first instruction of the interrupt service routine is fetched (refer to the Interrupt Mapping Table for vector addresses).

The interrupt service routine should finish with the IRET instruction which causes the contents of the saved registers to be recovered from the stack.

**Note:** As a consequence of the IRET instruction, the I bit will be cleared and the main program will resume.

### Priority Management

By default, a servicing interrupt cannot be interrupted because the I bit is set by hardware entering in interrupt routine.

In the case when several interrupts are simultaneously pending, an hardware priority defines which one will be serviced first (see the Interrupt Mapping Table).

### Interrupts and Low Power Mode

All interrupts allow the processor to leave the WAIT low power mode. Only external and specifically mentioned interrupts allow the processor to leave the HALT low power mode (refer to the “Exit from HALT” column in the Interrupt Mapping Table).

#### 8.1 NON MASKABLE SOFTWARE INTERRUPT

This interrupt is entered when the TRAP instruction is executed regardless of the state of the I bit.

It will be serviced according to the flowchart on [Figure 20](#).

#### 8.2 EXTERNAL INTERRUPTS

External interrupt vectors can be loaded into the PC register if the corresponding external interrupt occurred and if the I bit is cleared. These interrupts allow the processor to leave the Halt low power mode.

The external interrupt polarity is selected through the miscellaneous register or interrupt register (if available).

An external interrupt triggered on edge will be latched and the interrupt request automatically cleared upon entering the interrupt service routine.

If several input pins, connected to the same interrupt vector, are configured as interrupts, their signals are logically NANDed before entering the edge/level detection block.

**Caution:** The type of sensitivity defined in the Miscellaneous or Interrupt register (if available) applies to the ei source. In case of a NANDed source (as described on the I/O ports section), a low level on an I/O pin configured as input with interrupt, masks the interrupt request even in case of rising-edge sensitivity.

#### 8.3 PERIPHERAL INTERRUPTS

Different peripheral interrupt flags in the status register are able to cause an interrupt when they are active if both:

- The I bit of the CC register is cleared.
- The corresponding enable bit is set in the control register.

If any of these two conditions is false, the interrupt is latched and thus remains pending.

Clearing an interrupt request is done by:

- Writing “0” to the corresponding bit in the status register or
- Access to the status register while the flag is set followed by a read or write of an associated register.

**Note:** the clearing sequence resets the internal latch. A pending interrupt (i.e. waiting for being enabled) will therefore be lost if the clear sequence is executed.

INTERRUPTS (Cont'd)

Figure 20. Interrupt Processing Flowchart

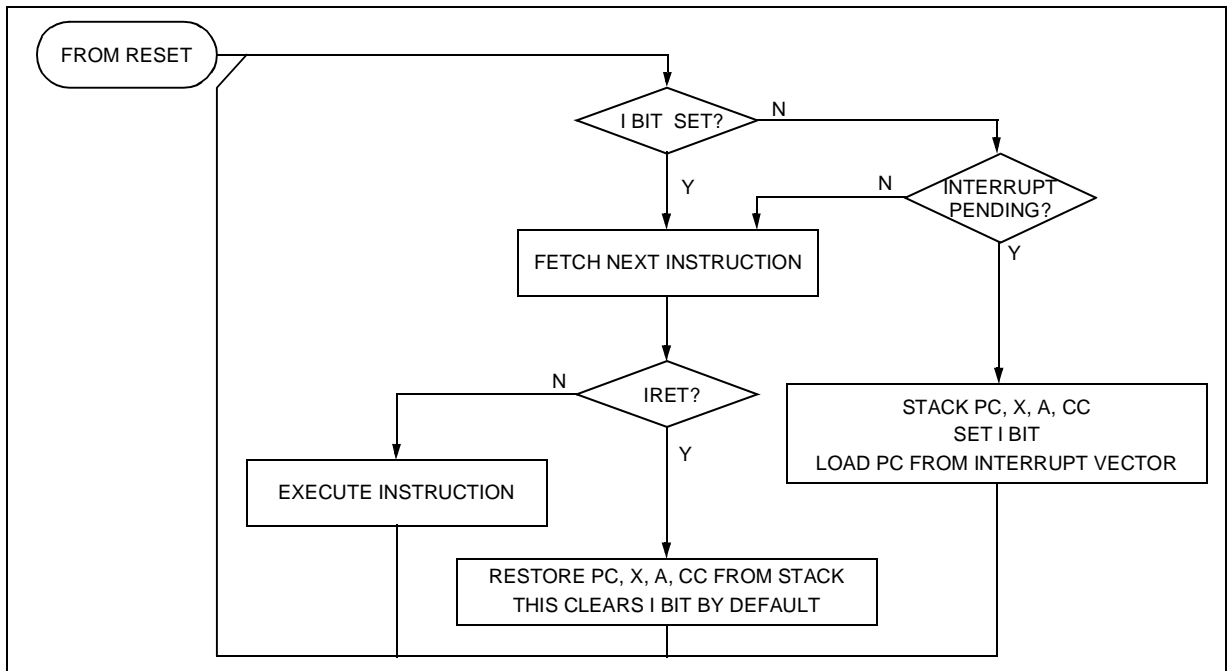


Table 7. Interrupt Mapping

N°	Source Block	Description	Register Label	Priority Order	Exit from HALT	Address Vector	
	RESET	Reset	N/A	Highest Priority ↓ Lowest Priority	yes	FFFEh-FFFFh	
	TRAP	Software Interrupt			no	FFFC h-FFFDh	
0		Not used				FFFAh-FFFBh	
1	ei0	External Interrupt 0			yes	FFF8h-FFF9h	
2	ei1	External Interrupt 1			yes	FFF6h-FFF7h	
3	ei2	External Interrupt 2			yes	FFF4h-FFF5h	
4	ei3	External Interrupt 3			yes	FFF2h-FFF3h	
5		Not used				FFF0h-FFF1h	
6		Not used				FFEEh-FFEFh	
7	SI	AVD interrupt			SICSR	yes	FFEC h-FFEDh
8	AT TIMER	AT TIMER Output Compare Interrupt			PWM0CSR	no	FFEAh-FFEBh
9		AT TIMER Overflow Interrupt			ATCSR	yes	FFE8h-FFE9h
10	LITE TIMER	LITE TIMER Input Capture Interrupt			LTCSR	no	FFE6h-FFE7h
11		LITE TIMER RTC Interrupt	LTCSR	yes	FFE4h-FFE5h		
12	SPI	SPI Peripheral Interrupts	SPICSR	yes	FFE2h-FFE3h		
13		Not used			FFE0h-FFE1h		

**INTERRUPTS** (Cont'd)**EXTERNAL INTERRUPT CONTROL REGISTER (EICR)**

Read/Write

Reset Value: 0000 0000 (00h)

7							0
IS31	IS30	IS21	IS20	IS11	IS10	IS01	IS00

Bit 7:6 = **IS3[1:0]** *ei3 sensitivity*These bits define the interrupt sensitivity for ei3 (Port B0) according to [Table 8](#).Bit 5:4 = **IS2[1:0]** *ei2 sensitivity*These bits define the interrupt sensitivity for ei2 (Port B3) according to [Table 8](#).Bit 3:2 = **IS1[1:0]** *ei1 sensitivity*These bits define the interrupt sensitivity for ei1 (Port A7) according to [Table 8](#).Bit 1:0 = **IS0[1:0]** *ei0 sensitivity*These bits define the interrupt sensitivity for ei0 (Port A0) according to [Table 8](#).**Note:** These 8 bits can be written only when the I bit in the CC register is set.**Table 8. Interrupt Sensitivity Bits**

ISx1	ISx0	External Interrupt Sensitivity
0	0	Falling edge & low level
0	1	Rising edge only
1	0	Falling edge only
1	1	Rising and falling edge

## 9 POWER SAVING MODES

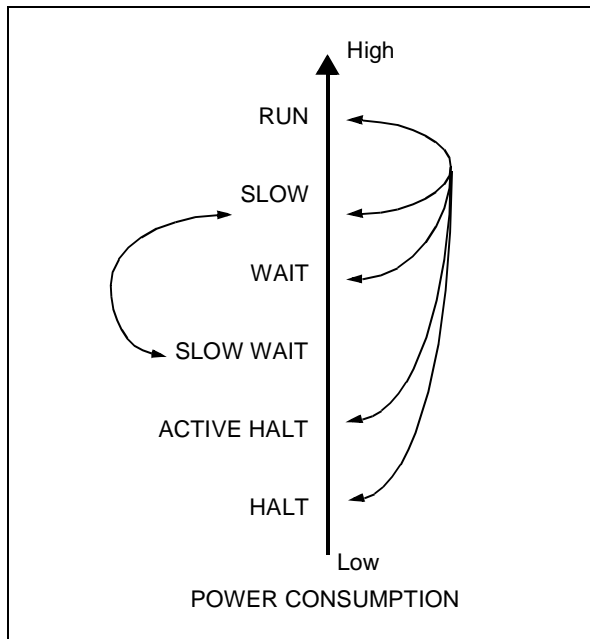
### 9.1 INTRODUCTION

To give a large measure of flexibility to the application in terms of power consumption, four main power saving modes are implemented in the ST7 (see Figure 21): SLOW, WAIT (SLOW WAIT), ACTIVE HALT and HALT.

After a RESET the normal operating mode is selected by default (RUN mode). This mode drives the device (CPU and embedded peripherals) by means of a master clock which is based on the main oscillator frequency ( $f_{OSC}$ ).

From RUN mode, the different power saving modes may be selected by setting the relevant register bits or by calling the specific ST7 software instruction whose action depends on the oscillator status.

Figure 21. Power Saving Mode Transitions



### 9.2 SLOW MODE

This mode has two targets:

- To reduce power consumption by decreasing the internal clock in the device,
- To adapt the internal clock frequency ( $f_{CPU}$ ) to the available supply voltage.

SLOW mode is controlled by the SMS bit in the MCCR register which enables or disables Slow mode.

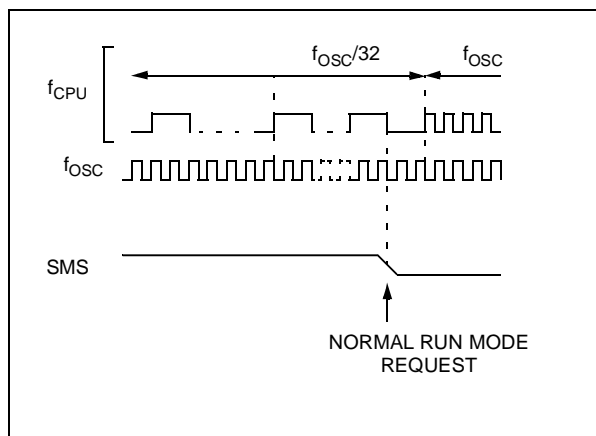
In this mode, the oscillator frequency is divided by 32. The CPU and peripherals are clocked at this lower frequency.

**Notes:**

SLOW-WAIT mode is activated when entering WAIT mode while the device is already in SLOW mode.

SLOW mode has no effect on the Lite Timer which is already clocked at  $F_{OSC}/32$ .

Figure 22. SLOW Mode Clock Transition



## POWER SAVING MODES (Cont'd)

## 9.3 WAIT MODE

WAIT mode places the MCU in a low power consumption mode by stopping the CPU.

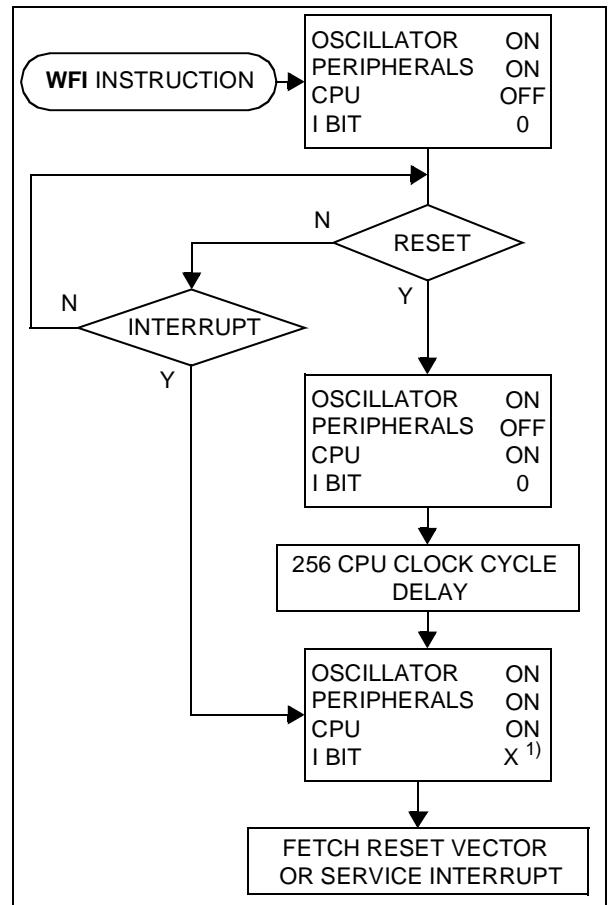
This power saving mode is selected by calling the 'WFI' instruction.

All peripherals remain active. During WAIT mode, the I bit of the CC register is cleared, to enable all interrupts. All other registers and memory remain unchanged. The MCU remains in WAIT mode until an interrupt or RESET occurs, whereupon the Program Counter branches to the starting address of the interrupt or Reset service routine.

The MCU will remain in WAIT mode until a Reset or an Interrupt occurs, causing it to wake up.

Refer to [Figure 23](#).

Figure 23. WAIT Mode Flow-chart

**Note:**

1. Before servicing an interrupt, the CC register is pushed on the stack. The I bit of the CC register is set during the interrupt routine and cleared when the CC register is popped.

POWER SAVING MODES (Cont'd)

9.4 ACTIVE-HALT AND HALT MODES

ACTIVE-HALT and HALT modes are the two lowest power consumption modes of the MCU. They are both entered by executing the 'HALT' instruction. The decision to enter either in ACTIVE-HALT or HALT mode is given by the LTCSR/ATCSR register status as shown in the following table:

LTCSR TBIE bit	ATCSR OVFI bit	ATCSR CK1 bit	ATCSR CK0 bit	Meaning
0	x	x	0	ACTIVE-HALT mode disabled
0	0	x	x	
0	1	1	1	ACTIVE-HALT mode enabled
1	x	x	x	
x	1	0	1	

9.4.1 ACTIVE-HALT MODE

ACTIVE-HALT mode is the lowest power consumption mode of the MCU with a real time clock available. It is entered by executing the 'HALT' instruction when active halt mode is enabled.

The MCU can exit ACTIVE-HALT mode on reception of a Lite Timer / AT Timer interrupt or a RESET.

- When exiting ACTIVE-HALT mode by means of a RESET, a 256 CPU cycle delay occurs. After the start up delay, the CPU resumes operation by fetching the reset vector which woke it up (see Figure 25).
- When exiting ACTIVE-HALT mode by means of an interrupt, the CPU immediately resumes operation by servicing the interrupt vector which woke it up (see Figure 25).

When entering ACTIVE-HALT mode, the I bit in the CC register is cleared to enable interrupts. Therefore, if an interrupt is pending, the MCU wakes up immediately.

In ACTIVE-HALT mode, only the main oscillator and the selected timer counter (LT/AT) are running to keep a wake-up time base. All other peripherals are not clocked except those which get their clock supply from another clock generator (such as external or auxiliary oscillator).

**Caution:** As soon as ACTIVE-HALT is enabled, executing a HALT instruction while the Watchdog is active does not generate a RESET if the WDGHALT bit is reset.

This means that the device cannot spend more than a defined delay in this power saving mode.

Figure 24. ACTIVE-HALT Timing Overview

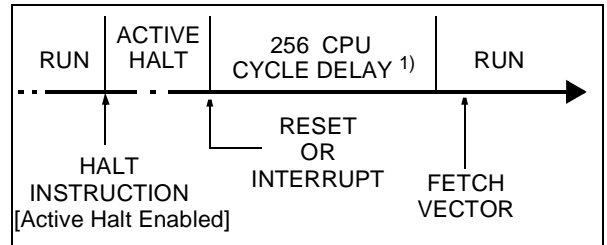
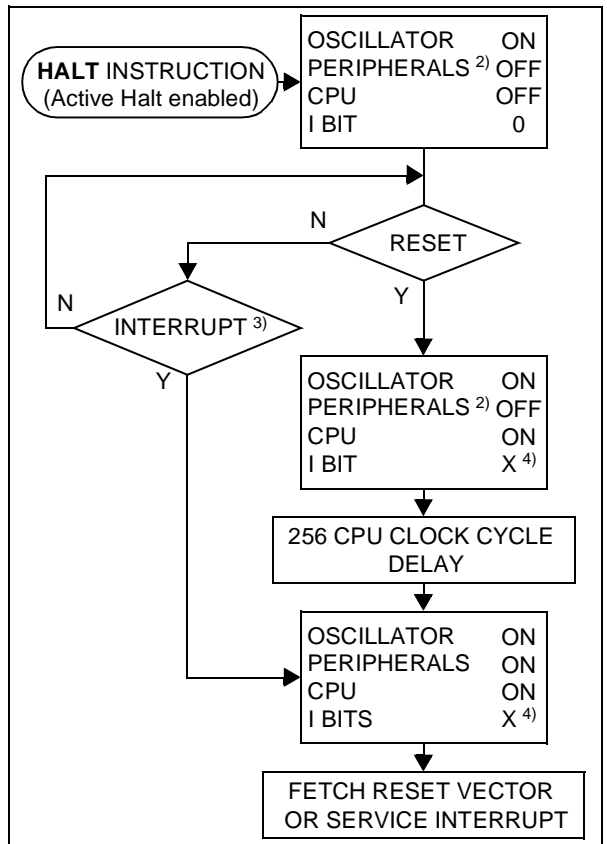


Figure 25. ACTIVE-HALT Mode Flow-chart



Notes:

1. This delay occurs only if the MCU exits ACTIVE-HALT mode by means of a RESET.
2. Peripherals clocked with an external clock source can still be active.
3. Only the Lite Timer RTC and AT Timer interrupts can exit the MCU from ACTIVE-HALT mode.
4. Before servicing an interrupt, the CC register is pushed on the stack. The I bit of the CC register is set during the interrupt routine and cleared when the CC register is popped.

## POWER SAVING MODES (Cont'd)

## 9.4.2 HALT MODE

The HALT mode is the lowest power consumption mode of the MCU. It is entered by executing the 'HALT' instruction when active halt mode is disabled.

The MCU can exit HALT mode on reception of either a specific interrupt (see Table 7, "Interrupt Mapping," on page 34) or a RESET. When exiting HALT mode by means of a RESET or an interrupt, the oscillator is immediately turned on and the 256 CPU cycle delay is used to stabilize the oscillator. After the start up delay, the CPU resumes operation by servicing the interrupt or by fetching the reset vector which woke it up (see Figure 27).

When entering HALT mode, the I bit in the CC register is forced to 0 to enable interrupts. Therefore, if an interrupt is pending, the MCU wakes immediately.

In HALT mode, the main oscillator is turned off causing all internal processing to be stopped, including the operation of the on-chip peripherals. All peripherals are not clocked except the ones which get their clock supply from another clock generator (such as an external or auxiliary oscillator).

The compatibility of Watchdog operation with HALT mode is configured by the "WDGHALT" option bit of the option byte. The HALT instruction when executed while the Watchdog system is enabled, can generate a Watchdog RESET (see section 15.1 on page 109 for more details).

Figure 26. HALT Timing Overview

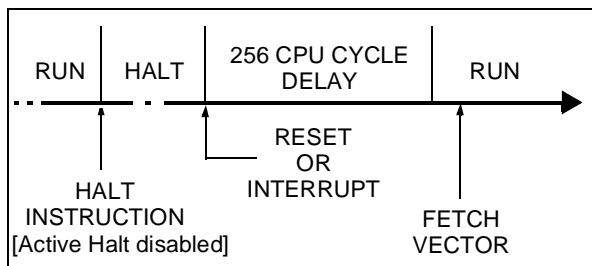
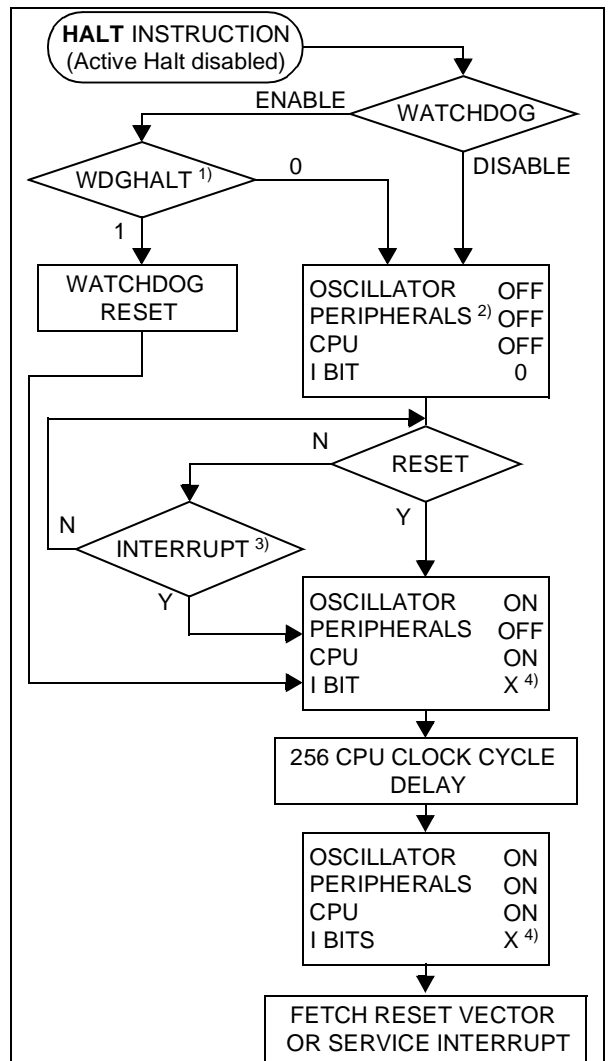


Figure 27. HALT Mode Flow-chart

**Notes:**

1. WDGHALT is an option bit. See option byte section for more details.
2. Peripheral clocked with an external clock source can still be active.
3. Only some specific interrupts can exit the MCU from HALT mode (such as external interrupt). Refer to Table 7, "Interrupt Mapping," on page 34 for more details.
4. Before servicing an interrupt, the CC register is pushed on the stack. The I bit of the CC register is set during the interrupt routine and cleared when the CC register is popped.
5. If the PLL is enabled by option byte, it outputs the clock after a delay of  $t_{STARTUP}$  (see Figure 12).

### POWER SAVING MODES (Cont'd)

#### 9.4.2.1 HALT Mode Recommendations

- Make sure that an external event is available to wake up the microcontroller from Halt mode.
  - When using an external interrupt to wake up the microcontroller, reinitialize the corresponding I/O as “Input Pull-up with Interrupt” before executing the HALT instruction. The main reason for this is that the I/O may be wrongly configured due to external interference or by an unforeseen logical condition.
  - For the same reason, reinitialize the level sensitivity of each external interrupt as a precautionary measure.
- The opcode for the HALT instruction is 0x8E. To avoid an unexpected HALT instruction due to a program counter failure, it is advised to clear all occurrences of the data value 0x8E from memory. For example, avoid defining a constant in ROM with the value 0x8E.
  - As the HALT instruction clears the I bit in the CC register to allow interrupts, the user may choose to clear all pending interrupt bits before executing the HALT instruction. This avoids entering other peripheral interrupt routines after executing the external interrupt routine corresponding to the wake-up event (reset or external interrupt).



## 10 I/O PORTS

### 10.1 INTRODUCTION

The I/O ports offer different functional modes:  
 – transfer of data through digital inputs and outputs and for specific pins:  
 – external interrupt generation  
 – alternate signal input/output for the on-chip peripherals.

An I/O port contains up to 8 pins. Each pin can be programmed independently as digital input (with or without interrupt generation) or digital output.

### 10.2 FUNCTIONAL DESCRIPTION

Each port has 2 main registers:

- Data Register (DR)
- Data Direction Register (DDR)

and one optional register:

- Option Register (OR)

Each I/O pin may be programmed using the corresponding register bits in the DDR and OR registers: bit X corresponding to pin X of the port. The same correspondence is used for the DR register.

The following description takes into account the OR register, (for specific ports which do not provide this register refer to the I/O Port Implementation section). The generic I/O block diagram is shown in [Figure 28](#)

#### 10.2.1 Input Modes

The input configuration is selected by clearing the corresponding DDR register bit.

In this case, reading the DR register returns the digital value applied to the external I/O pin.

Different input modes can be selected by software through the OR register.

**Note:** Writing the DR register modifies the latch value but does not affect the pin status.

#### External interrupt function

When an I/O is configured as Input with Interrupt, an event on this I/O can generate an external interrupt request to the CPU.

Each pin can independently generate an interrupt request. The interrupt sensitivity is independently programmable using the sensitivity bits in the EICR register.

Each external interrupt vector is linked to a dedicated group of I/O port pins (see pinout description and interrupt section). If several input pins are selected simultaneously as interrupt source, these

are logically ANDed. For this reason if one of the interrupt pins is tied low, it masks the other ones.

The external interrupts are hardware interrupts, which means that the request latch (not accessible directly by the application) is automatically cleared when the corresponding interrupt vector is fetched. To clear an unwanted pending interrupt by software, the sensitivity bits in the EICR register must be modified.

#### 10.2.2 Output Modes

The output configuration is selected by setting the corresponding DDR register bit. In this case, writing the DR register applies this digital value to the I/O pin through the latch. Then reading the DR register returns the previously stored value.

Two different output modes can be selected by software through the OR register: Output push-pull and open-drain.

DR register value and output pin status:

DR	Push-pull	Open-drain
0	V <sub>SS</sub>	V <sub>SS</sub>
1	V <sub>DD</sub>	Floating

**Note:** When switching from input to output mode, the DR register has to be written first to drive the correct level on the pin as soon as the port is configured as an output.

#### 10.2.3 Alternate Functions

When an on-chip peripheral is configured to use a pin, the alternate function is automatically selected. This alternate function takes priority over the standard I/O programming under the following conditions:

- When the signal is coming from an on-chip peripheral, the I/O pin is automatically configured in output mode (push-pull or open drain according to the peripheral).
- When the signal is going to an on-chip peripheral, the I/O pin must be configured in floating input mode. In this case, the pin state is also digitally readable by addressing the DR register.

**Notes:**

- Input pull-up configuration can cause unexpected value at the input of the alternate peripheral input.
- When an on-chip peripheral use a pin as input and output, this pin has to be configured in input floating mode.

I/O PORTS (Cont'd)

Figure 28. I/O Port General Block Diagram

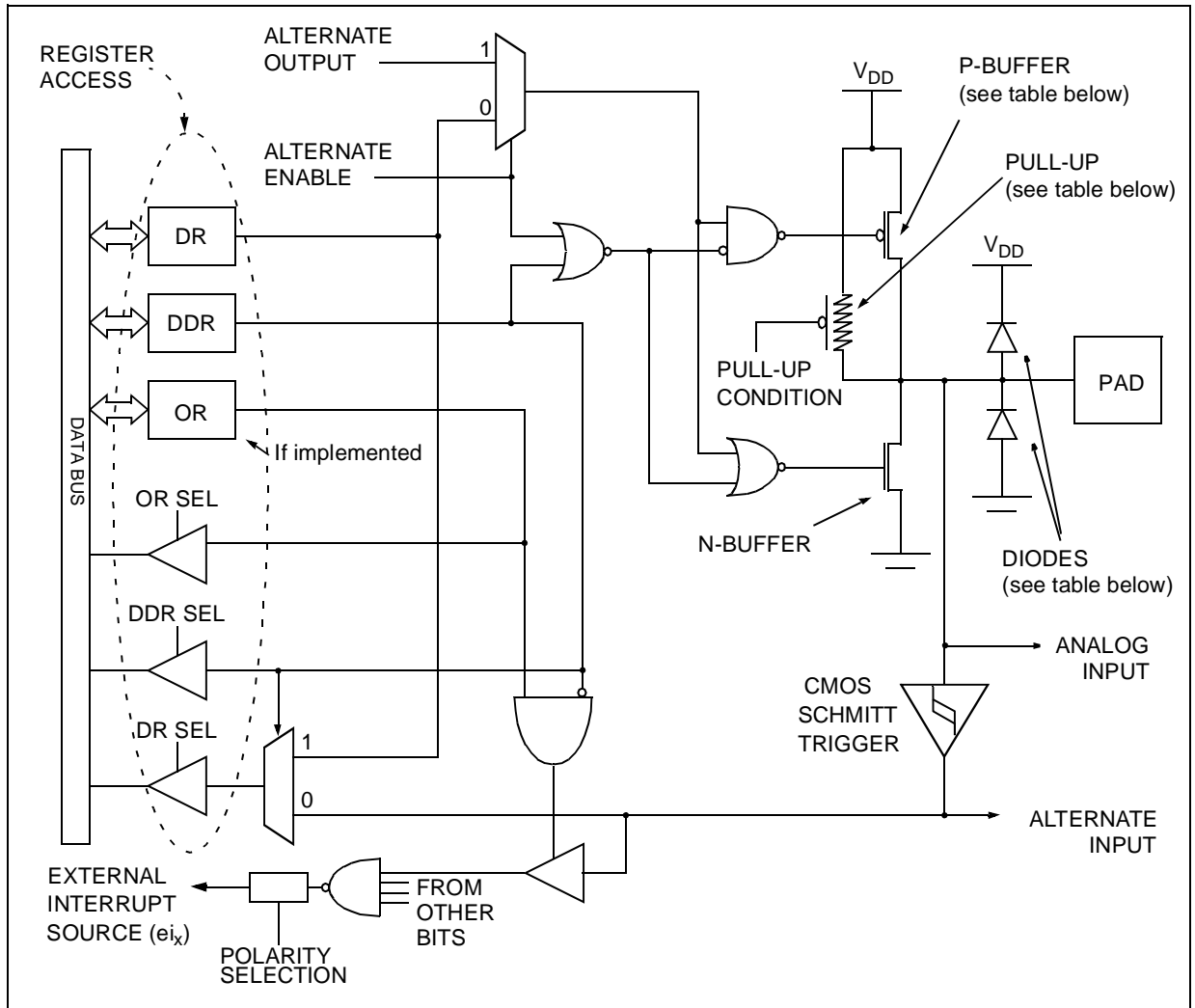


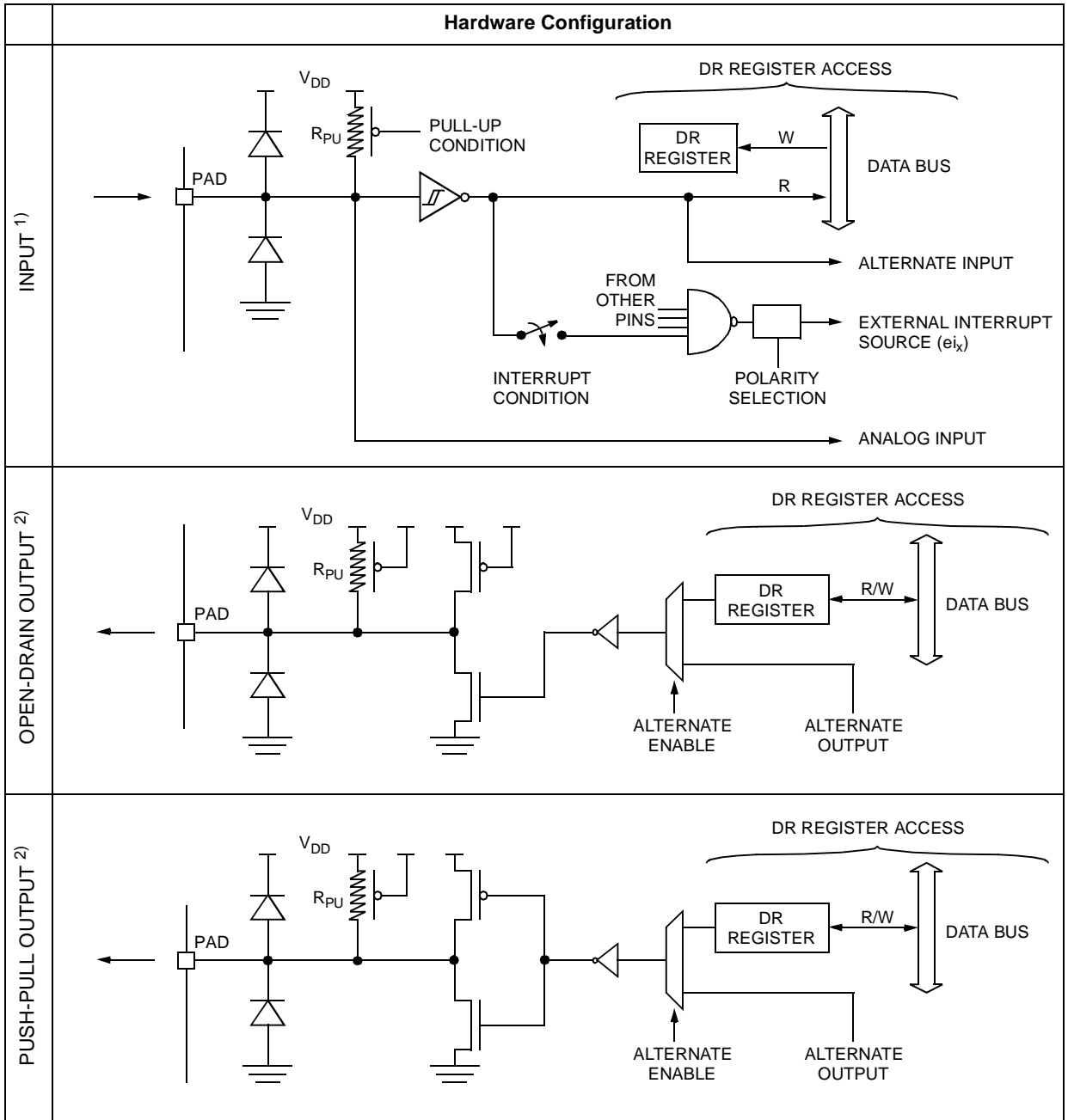
Table 9. I/O Port Mode Options

Configuration Mode		Pull-Up	P-Buffer	Diodes	
				to V <sub>DD</sub>	to V <sub>SS</sub>
Input	Floating with/without Interrupt	Off	Off	On	On
	Pull-up with/without Interrupt	On			
Output	Push-pull	Off	On	On	On
	Open Drain (logic level)		Off		

**Legend:** NI - not implemented  
 Off - implemented not activated  
 On - implemented and activated

I/O PORTS (Cont'd)

Table 10. I/O Port Configurations



Notes:

1. When the I/O port is in input configuration and the associated alternate function is enabled as an output, reading the DR register will read the alternate function output status.
2. When the I/O port is in output configuration and the associated alternate function is enabled as an input, the alternate function reads the pin status given by the DR register content.

**I/O PORTS** (Cont'd)

**CAUTION:** The alternate function must not be activated as long as the pin is configured as input with interrupt, in order to avoid generating spurious interrupts.

**Analog alternate function**

When the pin is used as an ADC input, the I/O must be configured as floating input. The analog multiplexer (controlled by the ADC registers) switches the analog voltage present on the selected pin to the common analog rail which is connected to the ADC input.

It is recommended not to change the voltage level or loading on any port pin while conversion is in progress. Furthermore it is recommended not to have clocking pins located close to a selected analog pin.

**WARNING:** The analog input voltage level must be within the limits stated in the absolute maximum ratings.

**10.3 UNUSED I/O PINS**

Unused I/O pins must be connected to fixed voltage levels. Refer to [Section 13.8](#).

**10.4 LOW POWER MODES**

Mode	Description
WAIT	No effect on I/O ports. External interrupts cause the device to exit from WAIT mode.
HALT	No effect on I/O ports. External interrupts cause the device to exit from HALT mode.

**10.5 INTERRUPTS**

The external interrupt event generates an interrupt if the corresponding configuration is selected with DDR and OR registers and the interrupt mask in the CC register is not active (RIM instruction).

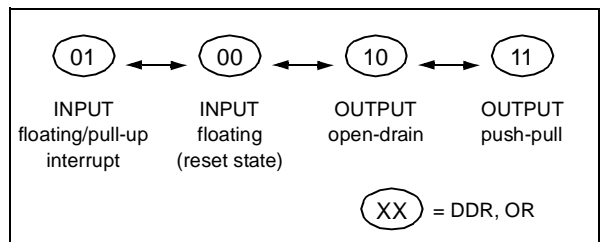
Interrupt Event	Event Flag	Enable Control Bit	Exit from Wait	Exit from Halt
External interrupt on selected external event	-	DDRx ORx	Yes	Yes

**10.6 I/O PORT IMPLEMENTATION**

The hardware implementation on each I/O port depends on the settings in the DDR and OR registers and specific feature of the I/O port such as ADC Input or true open drain.

Switching these I/O ports from one state to another should be done in a sequence that prevents unwanted side effects. Recommended safe transitions are illustrated in [Figure 29](#) Other transitions are potentially risky and should be avoided, since they are likely to present unwanted side-effects such as spurious interrupt generation.

**Figure 29. Interrupt I/O Port State Transitions**



The I/O port register configurations are summarised as follows.

**Table 11. Port Configuration**

Port	Pin name	Input (DDR=0)		Output (DDR=1)	
		OR = 0	OR = 1	OR = 0	OR = 1
Port A	PA7	floating	pull-up interrupt	open drain	push-pull
	PA6:1	floating	pull-up	open drain	push-pull
	PA0	floating	pull-up interrupt	open drain	push-pull
Port B	PB4	floating	pull-up	open drain	push-pull
	PB3	floating	pull-up interrupt	open drain	push-pull
	PB2:1	floating	pull-up	open drain	push-pull
	PB0	floating	pull-up interrupt	open drain	push-pull

## I/O PORTS (Cont'd)

Table 12. I/O Port Register Map and Reset Values

Address (Hex.)	Register Label	7	6	5	4	3	2	1	0
0000h	<b>PADR</b> Reset Value	MSB 0	0	0	0	0	0	0	LSB 0
0001h	<b>PADDR</b> Reset Value	MSB 0	0	0	0	0	0	0	LSB 0
0002h	<b>PAOR</b> Reset Value	MSB 0	1	0	0	0	0	0	LSB 0
0003h	<b>PBDR</b> Reset Value	MSB 1	1	1	0	0	0	0	LSB 0
0004h	<b>PBDDR</b> Reset Value	MSB 0	0	0	0	0	0	0	LSB 0
0005h	<b>PBOR</b> Reset Value	MSB 0	0	0	0	0	0	0	LSB 0

## 11 ON-CHIP PERIPHERALS

### 11.1 LITE TIMER (LT)

#### 11.1.1 Introduction

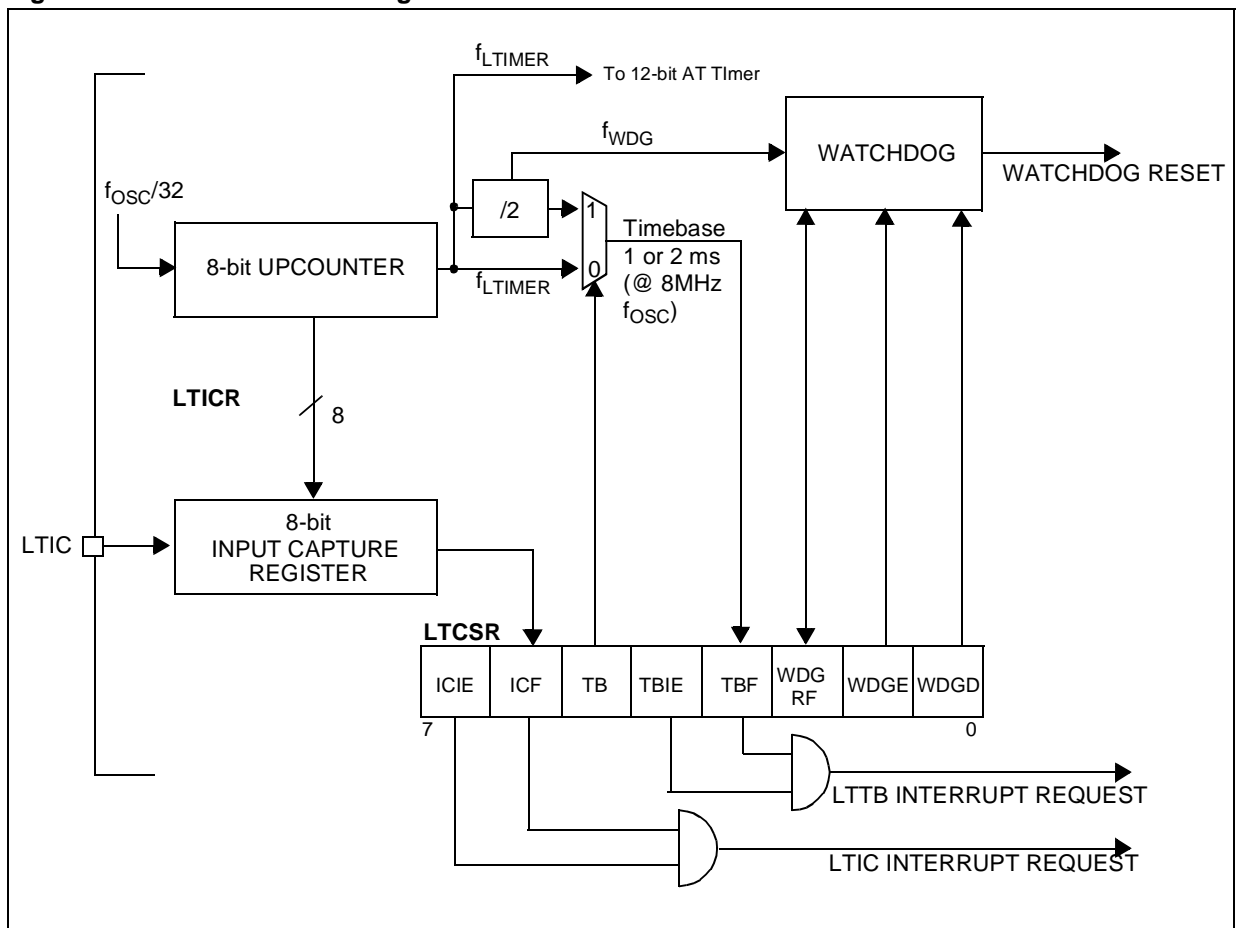
The Lite Timer can be used for general-purpose timing functions. It is based on a free-running 8-bit upcounter with two software-selectable timebase periods, an 8-bit input capture register and watchdog function.

#### 11.1.2 Main Features

- Realtime Clock
  - 8-bit upcounter
  - 1 ms or 2 ms timebase period (@ 8 MHz  $f_{OSC}$ )
  - Maskable timebase interrupt
- Input Capture
  - 8-bit input capture register (LTICR)
  - Maskable interrupt with wakeup from Halt Mode capability

- Watchdog
  - Enabled by hardware or software (configurable by option byte)
  - Optional reset on HALT instruction (configurable by option byte)
  - Automatically resets the device unless disable bit is refreshed
  - Software reset (Forced Watchdog reset)
  - Watchdog reset status flag

Figure 30. Lite Timer Block Diagram



## LITE TIMER (Cont'd)

### 11.1.3 Functional Description

The value of the 8-bit counter cannot be read or written by software. After an MCU reset, it starts incrementing from 0 at a frequency of  $f_{OSC}/32$ . A counter overflow event occurs when the counter rolls over from F9h to 00h. If  $f_{OSC} = 8$  MHz, then the time period between two counter overflow events is 1 ms. This period can be doubled by setting the TB bit in the LTCSR register.

When the timer overflows, the TBF bit is set by hardware and an interrupt request is generated if the TBIE is set. The TBF bit is cleared by software reading the LTCSR register.

#### 11.1.3.1 Watchdog

The watchdog is enabled using the WDGE bit. The normal Watchdog timeout is 2ms (@ = 8 MHz  $f_{OSC}$ ), after which it then generates a reset.

To prevent this watchdog reset occurring, software must set the WDGD bit. The WDGD bit is cleared by hardware after  $t_{WDG}$ . This means that software must write to the WDGD bit at regular intervals to prevent a watchdog reset occurring. Refer to [Figure 31](#).

If the watchdog is not enabled immediately after reset, the first watchdog timeout will be shorter than 2ms, because this period is counted starting from reset. Moreover, if a 2ms period has already elapsed after the last MCU reset, the watchdog reset will take place as soon as the WDGE bit is set. For these reasons, it is recommended to enable the Watchdog immediately after reset or else to set the WDGD bit before the WGDE bit so a watchdog reset will not occur for at least 2ms.

**Note:** Software can use the timebase feature to set the WDGD bit at 1 or 2 ms intervals.

A Watchdog reset can be forced at any time by setting the WDGRF bit. To generate a forced watchdog reset, first watchdog has to be activated by setting the WDGE bit and then the WDGRF bit has to be set.

The WDGRF bit also acts as a flag, indicating that the Watchdog was the source of the reset. It is automatically cleared after it has been read.

**Caution:** When the WDGRF bit is set, software must clear it, otherwise the next time the watchdog is enabled (by hardware or software), the microcontroller will be immediately reset.

#### Hardware Watchdog Option

If Hardware Watchdog is selected by option byte, the watchdog is always active and the WDGE bit in the LTCSR is not used.

Refer to the Option Byte description in the "device configuration and ordering information" section.

#### Using Halt Mode with the Watchdog (option)

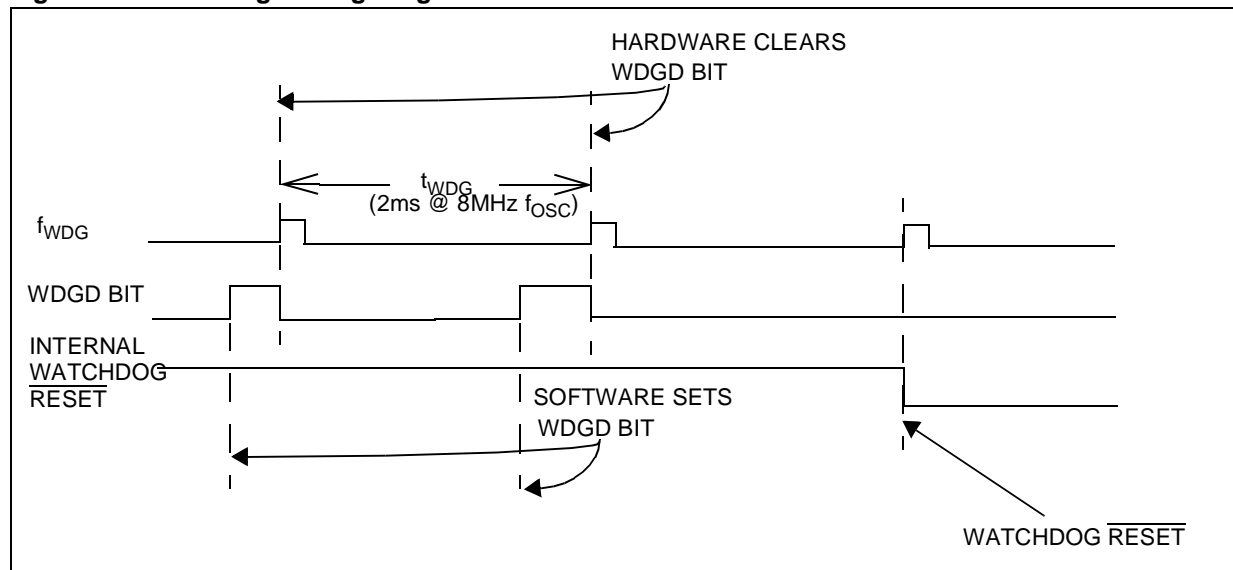
If the Watchdog reset on HALT option is not selected by option byte, the Halt mode can be used when the watchdog is enabled.

In this case, the HALT instruction stops the oscillator. When the oscillator is stopped, the Lite Timer stops counting and is no longer able to generate a Watchdog reset until the microcontroller receives an external interrupt or a reset.

If an external interrupt is received, the WDG restarts counting after 256 CPU clocks. If a reset is generated, the Watchdog is disabled (reset state).

If Halt mode with Watchdog is enabled by option byte (No watchdog reset on HALT instruction), it is recommended before executing the HALT instruction to refresh the WDG counter, to avoid an unexpected WDG reset immediately after waking up the microcontroller.

Figure 31. Watchdog Timing Diagram





LITE TIMER (Cont'd)

Input Capture

The 8-bit input capture register is used to latch the free-running upcounter after a rising or falling edge is detected on the ICAP1 pin. When an input capture occurs, the ICF bit is set and the LTICR register contains the MSB of the free-running upcounter. An interrupt is generated if the ICIE bit is set. The ICF bit is cleared by reading the LTICR register.

The LTICR is a read only register and always contains the data from the last input capture. Input capture is inhibited if the ICF bit is set.

11.1.4 Low Power Modes

Mode	Description
SLOW	No effect on Lite timer (this peripheral is driven directly by $f_{OSC}/32$ )
WAIT	No effect on Lite timer

ACTIVE-HALT	No effect on Lite timer
HALT	Lite timer stops counting

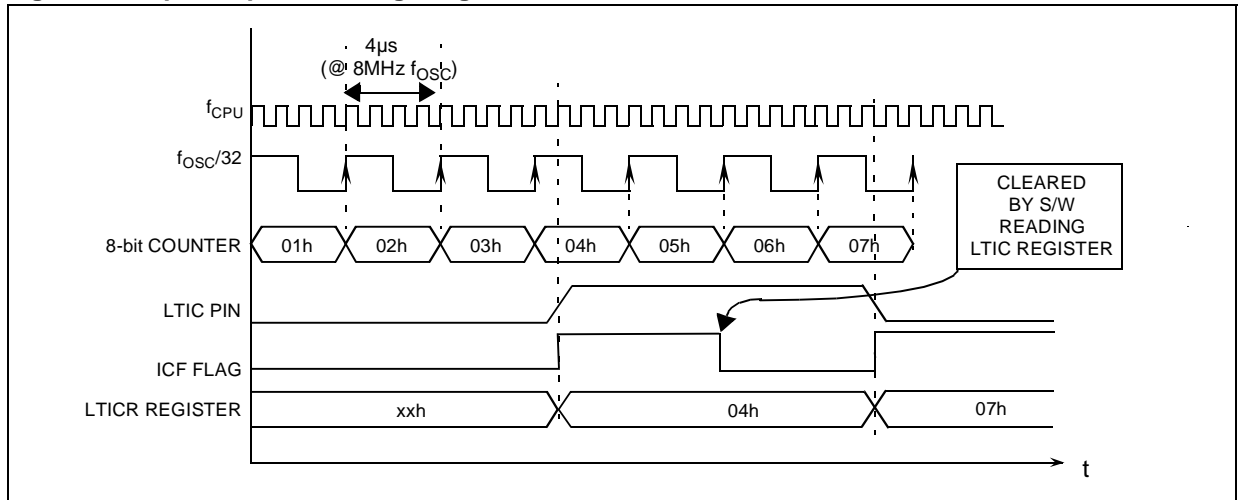
11.1.5 Interrupts

Interrupt Event	Event Flag	Enable Control Bit	Exit from Wait	Exit from Halt	Exit from Active-Halt
Timebase Event	TBF	TBIE	Yes	No	Yes
IC Event	ICF	ICIE	Yes	No	No

**Note:** The TBF and ICF interrupt events are connected to separate interrupt vectors (see Interrupts chapter).

They generate an interrupt if the enable bit is set in the LTCSR register and the interrupt mask in the CC register is reset (RIM instruction).

Figure 32. Input Capture Timing Diagram.



LITE TIMER (Cont'd)

11.1.6 Register Description

LITE TIMER CONTROL/STATUS REGISTER (LTCSR)

Read / Write

Reset Value: 0x00 0000 (x0h)

7							0
ICIE	ICF	TB	TBIE	TBF	WDGR	WDGE	WDGD

Bit 7 = **ICIE** *Interrupt Enable*.  
 This bit is set and cleared by software.  
 0: Input Capture (IC) interrupt disabled  
 1: Input Capture (IC) interrupt enabled

Bit 6 = **ICF** *Input Capture Flag*.  
 This bit is set by hardware and cleared by software by reading the LTICR register. Writing to this bit does not change the bit value.  
 0: No input capture  
 1: An input capture has occurred

**Note:** After an MCU reset, software must initialise the ICF bit by reading the LTICR register

Bit 5 = **TB** *Timebase period selection*.  
 This bit is set and cleared by software.  
 0: Timebase period =  $t_{OSC} * 8000$  (1ms @ 8 MHz)  
 1: Timebase period =  $t_{OSC} * 16000$  (2ms @ 8 MHz)

Bit 4 = **TBIE** *Timebase Interrupt enable*.  
 This bit is set and cleared by software.  
 0: Timebase (TB) interrupt disabled  
 1: Timebase (TB) interrupt enabled

Bit 3 = **TBF** *Timebase Interrupt Flag*.  
 This bit is set by hardware and cleared by software reading the LTCSR register. Writing to this bit has no effect.

Table 13. Lite Timer Register Map and Reset Values

Address (Hex.)	Register Label	7	6	5	4	3	2	1	0
0B	LTCSR Reset Value	ICIE 0	ICF x	TB 0	TBIE 0	TBF 0	WDGRF 0	WDGE 0	WDGD 0
0C	LTICR Reset Value	ICR7 0	ICR6 0	ICR5 0	ICR4 0	ICR3 0	ICR2 0	ICR1 0	ICR0 0

0: No counter overflow  
 1: A counter overflow has occurred

Bit 2 = **WDGRF** *Force Reset/ Reset Status Flag*  
 This bit is used in two ways: it is set by software to force a watchdog reset. It is set by hardware when a watchdog reset occurs and cleared by hardware or by software. It is cleared by hardware only when an LVD reset occurs. It can be cleared by software after a read access to the LTCSR register.

0: No watchdog reset occurred.  
 1: Force a watchdog reset (write), or, a watchdog reset occurred (read).

Bit 1 = **WDGE** *Watchdog Enable*  
 This bit is set and cleared by software.  
 0: Watchdog disabled  
 1: Watchdog enabled

Bit 0 = **WDGD** *Watchdog Reset Delay*  
 This bit is set by software. It is cleared by hardware at the end of each  $t_{WDG}$  period.  
 0: Watchdog reset not delayed  
 1: Watchdog reset delayed

LITE TIMER INPUT CAPTURE REGISTER (LTICR)

Read only

Reset Value: 0000 0000 (00h)

7							0
ICR7	ICR6	ICR5	ICR4	ICR3	ICR2	ICR1	ICR0

Bit 7:0 = **ICR[7:0]** *Input Capture Value*  
 These bits are read by software and cleared by hardware after a reset. If the ICF bit in the LTCSR is cleared, the value of the 8-bit up-counter will be captured when a rising or falling edge occurs on the LTIC pin.

## 11.2 12-BIT AUTORELOAD TIMER (AT)

### 11.2.1 Introduction

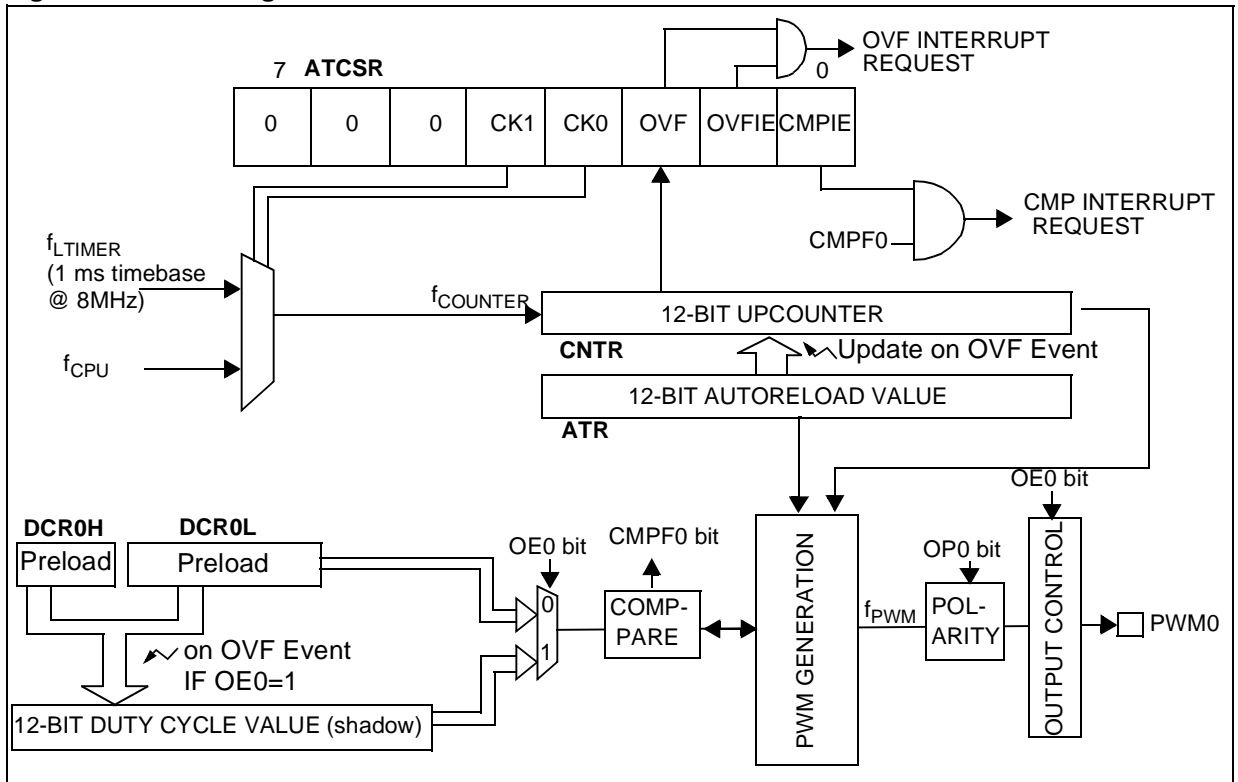
The 12-bit Autoreload Timer can be used for general-purpose timing functions. It is based on a free-running 12-bit upcounter with a PWM output channel.

### 11.2.2 Main Features

- 12-bit upcounter with 12-bit autoreload register (ATR)
- Maskable overflow interrupt

- PWM signal generator
  - Frequency range 2KHz-4MHz (@ 8 MHz  $f_{CPU}$ )
    - Programmable duty-cycle
    - Polarity control
    - Maskable Compare interrupt
- Output Compare Function

Figure 33. Block Diagram



12-BIT AUTORELOAD TIMER (Cont'd)

11.2.3 Functional Description

PWM Mode

This mode allows a Pulse Width Modulated signals to be generated on the PWM0 output pin with minimum core processing overhead. The PWM0 output signal can be enabled or disabled using the OE0 bit in the PWMCR register. When this bit is set the PWM I/O pin is configured as output push-pull alternate function.

**Note:** CMPF0 is available in PWM mode (see PWM0CSR description on page 55).

PWM Frequency and Duty Cycle

The PWM signal frequency ( $f_{PWM}$ ) is controlled by the counter period and the ATR register value.

$$f_{PWM} = f_{COUNTER} / (4096 - ATR)$$

Following the above formula, if  $f_{CPU}$  is 8 MHz, the maximum value of  $f_{PWM}$  is 4 Mhz (ATR register value = 4094), and the minimum value is 2 kHz (ATR register value = 0).

**Note:** The maximum value of ATR is 4094 because it must be lower than the DCR value which must be 4095 in this case.

At reset, the counter starts counting from 0.

Software must write the duty cycle value in the DCR0H and DCR0L preload registers. The DCR0H register must be written first. See caution below.

When a upcounter overflow occurs (OVF event), the ATR value is loaded in the upcounter, the preloaded Duty cycle value is transferred to the Duty Cycle register and the PWM0 signal is set to a high level. When the upcounter matches the DCRx value the PWM0 signals is set to a low level. To obtain a signal on the PWM0 pin, the contents of the DCR0 register must be greater than the contents of the ATR register.

The polarity bit can be used to invert the output signal.

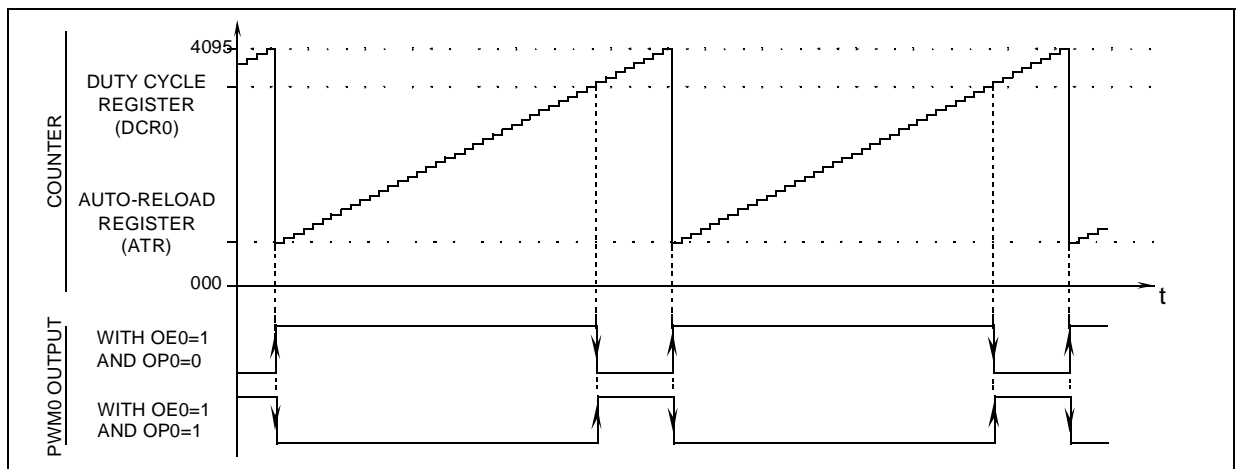
The maximum available resolution for the PWM0 duty cycle is:

$$\text{Resolution} = 1 / (4096 - ATR)$$

**Note:** To get the maximum resolution (1/4096), the ATR register must be 0. With this maximum resolution and assuming that DCR=ATR, a 0% or 100% duty cycle can be obtained by changing the polarity .

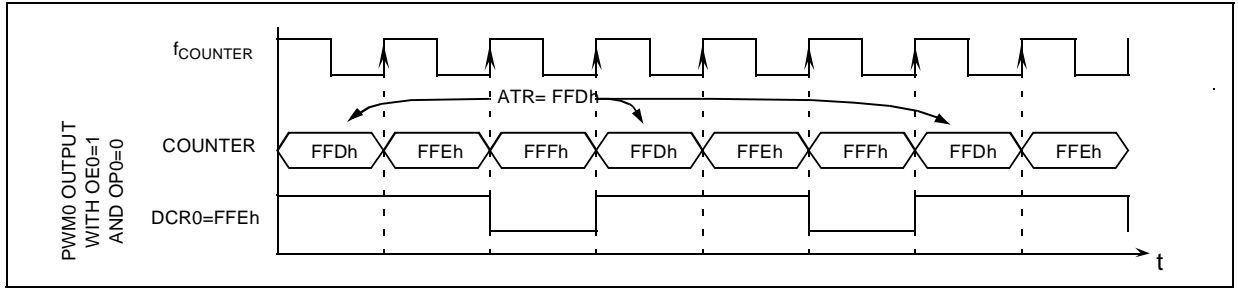
**Caution:** As soon as the DCR0H is written, the compare function is disabled and will start only when the DCR0L value is written. If the DCR0H write occurs just before the compare event, the signal on the PWM output may not be set to a low level. In this case, the DCRx register should be updated just after an OVF event. If the DCR and ATR values are close, then the DCRx register should be updated just before an OVF event, in order not to miss a compare event and to have the right signal applied on the PWM output.

Figure 34. PWM Function



12-BIT AUTORELOAD TIMER (Cont'd)

Figure 35. PWM Signal Example



Output Compare Mode

To use this function, the OE bit must be 0, otherwise the compare is done with the shadow register instead of the DCRx register. Software must then write a 12-bit value in the DCR0H and DCR0L registers. This value will be loaded immediately (without waiting for an OVF event).

The DCR0H must be written first, the output compare function starts only when the DCR0L value is written.

When the 12-bit upcounter (CNTR) reaches the value stored in the DCR0H and DCR0L registers, the CMPF0 bit in the PWM0CSR register is set and an interrupt request is generated if the CMPIE bit is set.

**Note:** The output compare function is only available for DCRx values other than 0 (reset value).

**Caution:** At each OVF event, the DCRx value is written in a shadow register, even if the DCR0L value has not yet been written (in this case, the shadow register will contain the new DCR0H value and the old DCR0L value), then:

- If OE=1 (PWM mode): the compare is done between the timer counter and the shadow register (and not DCRx)
- if OE=0 (OCMP mode): the compare is done between the timer counter and DCRx. There is no PWM signal.

The compare between DCRx or the shadow register and the timer counter is locked until DCR0L is written.

11.2.4 Low Power Modes

Mode	Description
SLOW	The input frequency is divided by 32
WAIT	No effect on AT timer
ACTIVE-HALT	AT timer halted except if CK0=1, CK1=0 and OVFIE=1
HALT	AT timer halted

11.2.5 Interrupts

Interrupt Event <sup>1)</sup>	Event Flag	Enable Control Bit	Exit from Wait	Exit from Halt	Exit from Active-Halt
Overflow Event	OVF	OVFIE	Yes	No	Yes <sup>2)</sup>
CMP Event	CMPFx	CMPIE	Yes	No	No

**Note 1:** The interrupt events are connected to separate interrupt vectors (see Interrupts chapter). They generate an interrupt if the enable bit is set in the ATCSR register and the interrupt mask in the CC register is reset (RIM instruction).

**Note 2:** only if CK0=1 and CK1=0

12-BIT AUTORELOAD TIMER (Cont'd)

11.2.6 Register Description

**TIMER CONTROL STATUS REGISTER (ATCSR)**

Read / Write

Reset Value: 0000 0000 (00h)

7							0
0	0	0	CK1	CK0	OVF	OVFIE	CMPIE

Bit 7:5 = Reserved, must be kept cleared.

Bit 4:3 = **CK[1:0]** Counter Clock Selection.

These bits are set and cleared by software and cleared by hardware after a reset. They select the clock frequency of the counter. The change becomes effective after an overflow.

Counter Clock Selection	CK1	CK0
OFF	0	0
$f_{L\text{TIMER}}$ (1 ms timebase @ 8 MHz)	0	1
$f_{\text{CPU}}$	1	0
Reserved	1	1

Bit 2 = **OVF** Overflow Flag.

This bit is set by hardware and cleared by software by reading the ATCSR register. It indicates the transition of the counter from FFh to ATR value.

0: No counter overflow occurred

1: Counter overflow occurred

**Caution:**

When set, the OVF bit stays high for 1  $f_{\text{COUNTER}}$  cycle, (up to 1ms depending on the clock selection).

Bit 1 = **OVFIE** Overflow Interrupt Enable.

This bit is read/write by software and cleared by hardware after a reset.

0: OVF interrupt disabled

1: OVF interrupt enabled

Bit 0 = **CMPIE** Compare Interrupt Enable.

This bit is read/write by software and clear by hardware after a reset. It allows to mask the interrupt generation when CMPF bit is set.

0: CMPF interrupt disabled

1: CMPF interrupt enabled

**COUNTER REGISTER HIGH (CNTRH)**

Read only

Reset Value: 0000 0000 (00h)

15							8
0	0	0	0	CN11	CN10	CN9	CN8

**COUNTER REGISTER LOW (CNTRL)**

Read only

Reset Value: 0000 0000 (00h)

7							0
CN7	CN6	CN5	CN4	CN3	CN2	CN1	CN0

Bits 15:12 = Reserved, must be kept cleared.

Bits 11:0 = **CNTR[11:0]** Counter Value.

This 12-bit register is read by software and cleared by hardware after a reset. The counter is incremented continuously as soon as a counter clock is selected. To obtain the 12-bit value, software should read the counter value in two consecutive read operations, LSB first. When a counter overflow occurs, the counter restarts from the value specified in the ATR register.

**12-BIT AUTORELOAD TIMER (Cont'd)**

**AUTO RELOAD REGISTER (ATRH)**

Read / Write

Reset Value: 0000 0000 (00h)

15				8			
0	0	0	0	ATR11	ATR10	ATR9	ATR8

**AUTO RELOAD REGISTER (ATRL)**

Read / Write

Reset Value: 0000 0000 (00h)

7							0
ATR7	ATR6	ATR5	ATR4	ATR3	ATR2	ATR1	ATR0

Bits 15:12 = Reserved, must be kept cleared.

Bits 11:0 = **ATR[11:0] Autoreload Register**.  
 This is a 12-bit register which is written by software. The ATR register value is automatically loaded into the upcounter when an overflow occurs. The register value is used to set the PWM frequency.

**PWM0 DUTY CYCLE REGISTER HIGH (DCR0H)**

Read / Write

Reset Value: 0000 0000 (00h)

15				8			
0	0	0	0	DCR11	DCR10	DCR9	DCR8

**PWM0 DUTY CYCLE REGISTER LOW (DCR0L)**

Read / Write

Reset Value: 0000 0000 (00h)

7							0
DCR7	DCR6	DCR5	DCR4	DCR3	DCR2	DCR1	DCR0

Bits 15:12 = Reserved, must be kept cleared.

Bits 11:0 = **DCR[11:0] PWMx Duty Cycle Value**  
 This 12-bit value is written by software. The high register must be written first.

In PWM mode (OE0=1 in the PWMCR register) the DCR[11:0] bits define the duty cycle of the PWM0 output signal (see [Figure 34](#)). In Output Compare mode, (OE0=0 in the PWMCR register) they define the value to be compared with the 12-bit upcounter value.

**PWM0 CONTROL/STATUS REGISTER (PWM0CSR)**

Read / Write

Reset Value: 0000 0000 (00h)

7							0
0	0	0	0	0	0	OP0	CMPF0

Bit 7:2= Reserved, must be kept cleared.

Bit 1 = **OP0 PWM0 Output Polarity**.  
 This bit is read/write by software and cleared by hardware after a reset. This bit selects the polarity of the PWM0 signal.  
 0: The PWM0 signal is not inverted.  
 1: The PWM0 signal is inverted.

Bit 0 = **CMPF0 PWM0 Compare Flag**.  
 This bit is set by hardware and cleared by software by reading the PWM0CSR register. It indicates that the upcounter value matches the DCR0 register value.  
 0: Upcounter value does not match DCR value.  
 1: Upcounter value matches DCR value.

12-BIT AUTORELOAD TIMER (Cont'd)

**PWM OUTPUT CONTROL REGISTER (PWMCR)**

Read/Write

Reset Value: 0000 0000 (00h)

7							0
0	0	0	0	0	0	0	OE0

Bits 7:1 = Reserved, must be kept cleared.

Bit 0 = **OE0** PWM0 Output enable.

This bit is set and cleared by software.

0: PWM0 output Alternate Function disabled (I/O pin free for general purpose I/O)

1: PWM0 output enabled

**Table 14. Register Map and Reset Values**

Address (Hex.)	Register Label	7	6	5	4	3	2	1	0
0D	<b>ATCSR</b> Reset Value	0	0	0	CK1 0	CK0 0	OVF 0	OVFIE 0	CMPIE 0
0E	<b>CNTRH</b> Reset Value	0	0	0	0	CN11 0	CN10 0	CN9 0	CN8 0
0F	<b>CNTRL</b> Reset Value	CN7 0	CN8 0	CN7 0	CN6 0	CN3 0	CN2 0	CN1 0	CN0 0
10	<b>ATRH</b> Reset Value	0	0	0	0	ATR11 0	ATR10 0	ATR9 0	ATR8 0
11	<b>ATRL</b> Reset Value	ATR7 0	ATR6 0	ATR5 0	ATR4 0	ATR3 0	ATR2 0	ATR1 0	ATR0 0
12	<b>PWMCR</b> Reset Value	0	0	0	0	0	0	0	OE0 0
13	<b>PWM0CSR</b> Reset Value	0	0	0	0	0	0	OP 0	CMPF0 0
17	<b>DCR0H</b> Reset Value	0	0	0	0	DCR11 0	DCR10 0	DCR9 0	DCR8 0
18	<b>DCR0L</b> Reset Value	DCR7 0	DCR6 0	DCR5 0	DCR4 0	DCR3 0	DCR2 0	DCR1 0	DCR0 0



## 11.3 SERIAL PERIPHERAL INTERFACE (SPI)

### 11.3.1 Introduction

The Serial Peripheral Interface (SPI) allows full-duplex, synchronous, serial communication with external devices. An SPI system may consist of a master and one or more slaves however the SPI interface can not be a master in a multi-master system.

### 11.3.2 Main Features

- Full duplex synchronous transfers (on 3 lines)
- Simplex synchronous transfers (on 2 lines)
- Master or slave operation
- Six master mode frequencies ( $f_{CPU}/4$  max.)
- $f_{CPU}/2$  max. slave mode frequency
- SS Management by software or hardware
- Programmable clock polarity and phase
- End of transfer interrupt flag
- Write collision, Master Mode Fault and Overrun flags

### 11.3.3 General Description

Figure 36 shows the serial peripheral interface (SPI) block diagram. There are 3 registers:

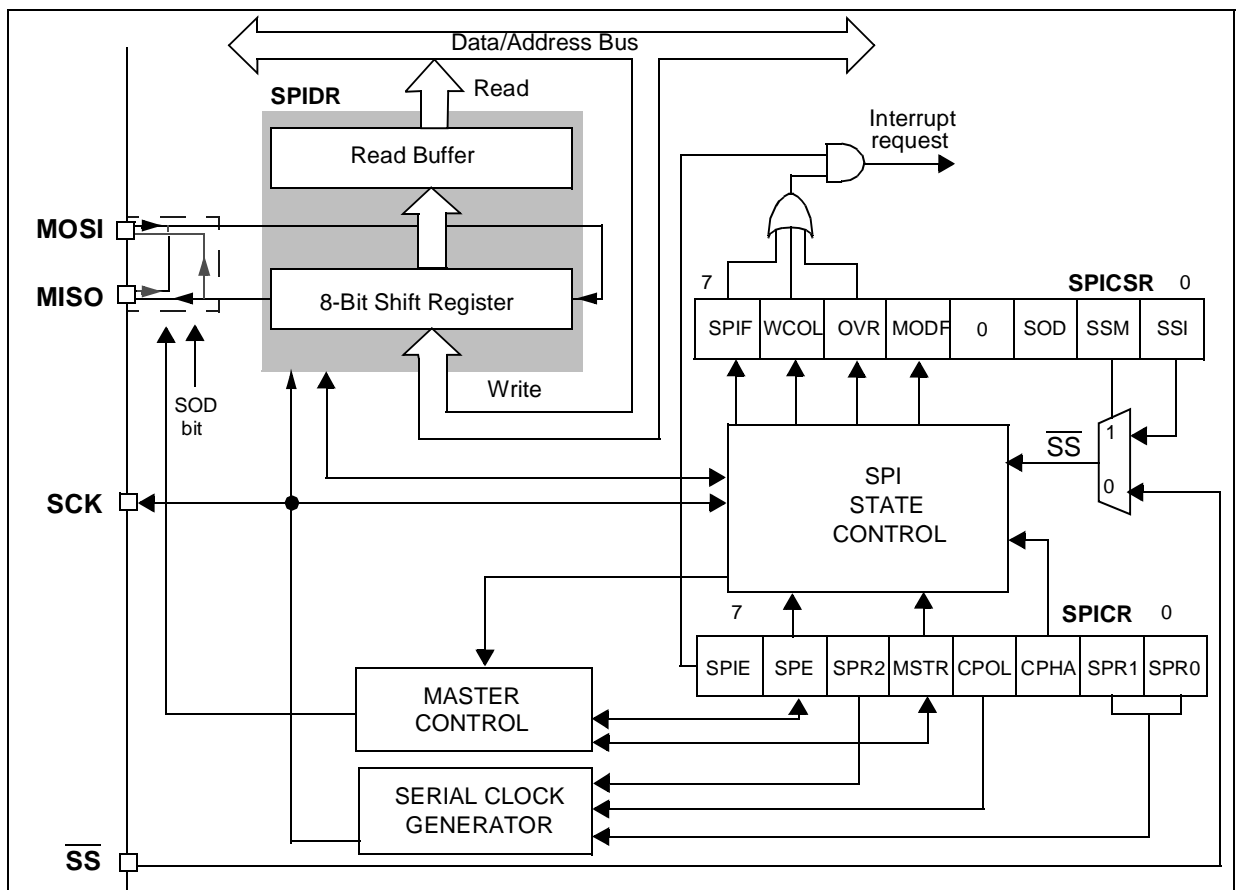
- SPI Control Register (SPICR)
- SPI Control/Status Register (SPICSR)
- SPI Data Register (SPIDR)

The SPI is connected to external devices through 3 pins:

- MISO: Master In / Slave Out data
- MOSI: Master Out / Slave In data
- SCK: Serial Clock out by SPI masters and input by SPI slaves
- $\overline{SS}$ : Slave select:

This input signal acts as a 'chip select' to let the SPI master communicate with slaves individually and to avoid contention on the data lines. Slave  $\overline{SS}$  inputs can be driven by standard I/O ports on the master MCU.

Figure 36. Serial Peripheral Interface Block Diagram



SERIAL PERIPHERAL INTERFACE (Cont'd)

11.3.3.1 Functional Description

A basic example of interconnections between a single master and a single slave is illustrated in Figure 37.

The MOSI pins are connected together and the MISO pins are connected together. In this way data is transferred serially between master and slave (most significant bit first).

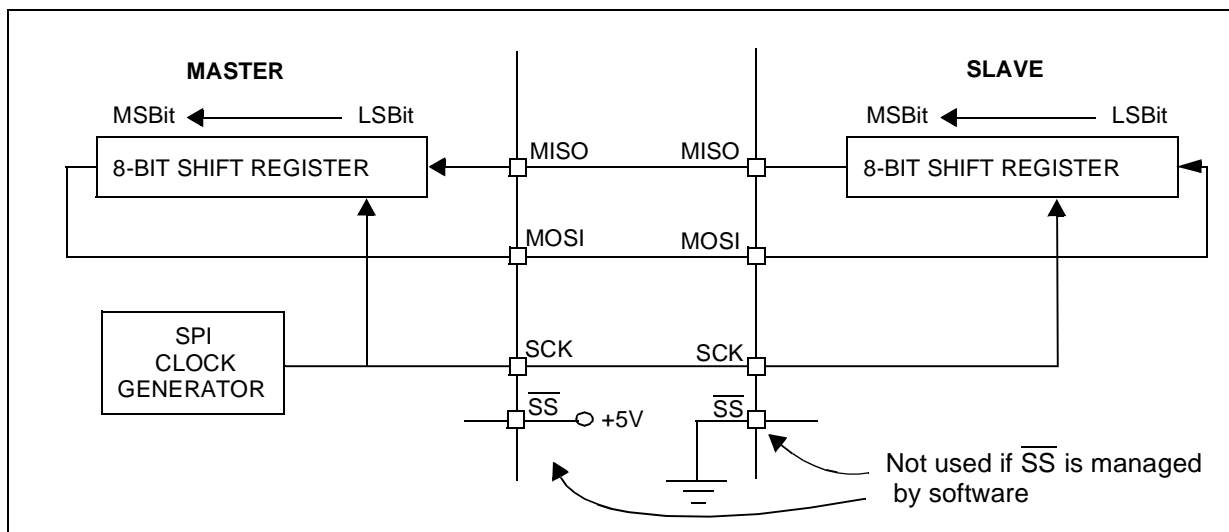
The communication is always initiated by the master. When the master device transmits data to a slave device via MOSI pin, the slave device re-

sponds by sending data to the master device via the MISO pin. This implies full duplex communication with both data out and data in synchronized with the same clock signal (which is provided by the master device via the SCK pin).

To use a single data line, the MISO and MOSI pins must be connected at each node ( in this case only simplex communication is possible).

Four possible data/clock timing relationships may be chosen (see Figure 40) but master and slave must be programmed with the same timing mode.

Figure 37. Single Master/ Single Slave Application



## SERIAL PERIPHERAL INTERFACE (Cont'd)

### 11.3.3.2 Slave Select Management

As an alternative to using the  $\overline{SS}$  pin to control the Slave Select signal, the application can choose to manage the Slave Select signal by software. This is configured by the SSM bit in the SPICSR register (see [Figure 39](#))

In software management, the external  $\overline{SS}$  pin is free for other application uses and the internal  $\overline{SS}$  signal level is driven by writing to the SSI bit in the SPICSR register.

#### In Master mode:

- $\overline{SS}$  internal must be held high continuously

#### In Slave Mode:

There are two cases depending on the data/clock timing relationship (see [Figure 38](#)):

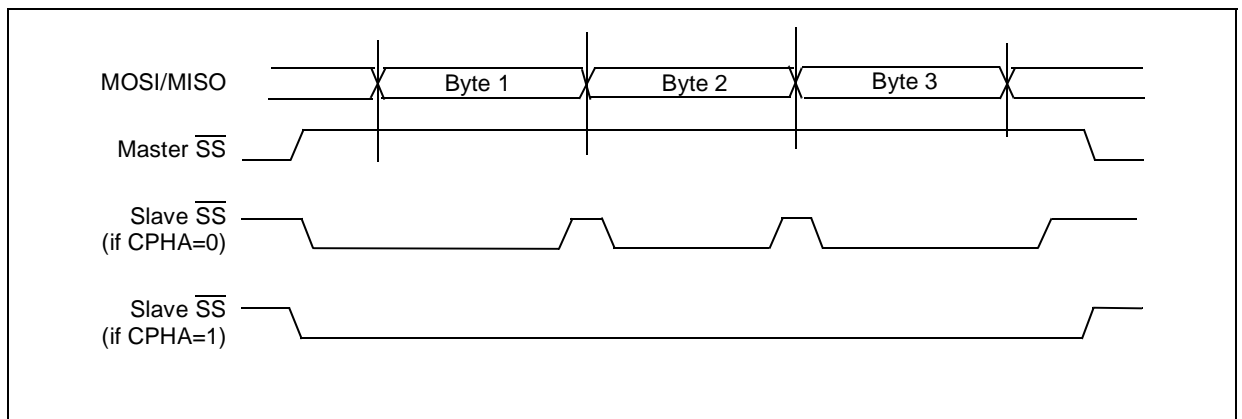
If CPHA=1 (data latched on 2nd clock edge):

- $\overline{SS}$  internal must be held low during the entire transmission. This implies that in single slave applications the  $\overline{SS}$  pin either can be tied to  $V_{SS}$ , or made free for standard I/O by managing the  $\overline{SS}$  function by software (SSM= 1 and SSI=0 in the in the SPICSR register)

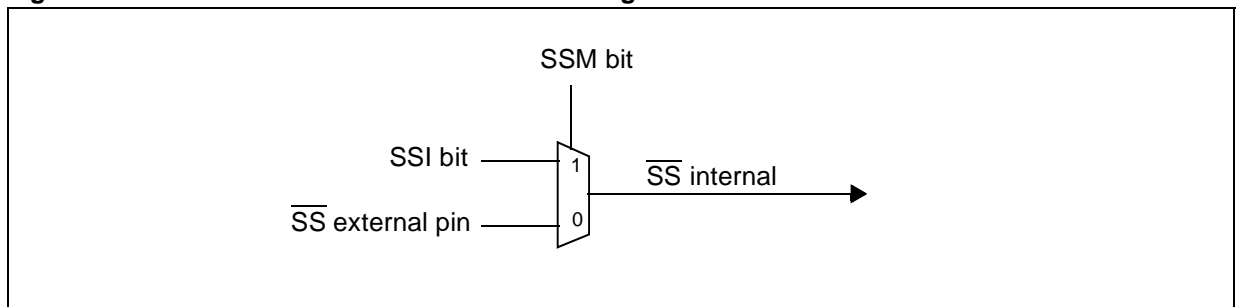
If CPHA=0 (data latched on 1st clock edge):

- $\overline{SS}$  internal must be held low during byte transmission and pulled high between each byte to allow the slave to write to the shift register. If  $\overline{SS}$  is not pulled high, a Write Collision error will occur when the slave writes to the shift register (see [Section 11.3.5.3](#)).

**Figure 38. Generic  $\overline{SS}$  Timing Diagram**



**Figure 39. Hardware/Software Slave Select Management**



## SERIAL PERIPHERAL INTERFACE (Cont'd)

## 11.3.3.3 Master Mode Operation

In master mode, the serial clock is output on the SCK pin. The clock frequency, polarity and phase are configured by software (refer to the description of the SPICSR register).

**Note:** The idle state of SCK must correspond to the polarity selected in the SPICSR register (by pulling up SCK if CPOL=1 or pulling down SCK if CPOL=0).

To operate the SPI in master mode, perform the following two steps in order (if the SPICSR register is not written first, the SPICR register setting may be not taken into account):

- Write to the SPICSR register:
  - Select the clock frequency by configuring the SPR[2:0] bits.
  - Select the clock polarity and clock phase by configuring the CPOL and CPHA bits. [Figure 40](#) shows the four possible configurations.
 

**Note:** The slave must have the same CPOL and CPHA settings as the master.
  - Either set the SSM bit and set the SSI bit or clear the SSM bit and tie the SS pin high for the complete byte transmit sequence.
- Write to the SPICR register:
  - Set the MSTR and SPE bits
 

**Note:** MSTR and SPE bits remain set only if SS is high).

The transmit sequence begins when software writes a byte in the SPIDR register.

## 11.3.3.4 Master Mode Transmit Sequence

When software writes to the SPIDR register, the data byte is loaded into the 8-bit shift register and then shifted out serially to the MOSI pin most significant bit first.

When data transfer is complete:

- The SPIF bit is set by hardware
- An interrupt request is generated if the SPIE bit is set and the interrupt mask in the CCR register is cleared.

Clearing the SPIF bit is performed by the following software sequence:

- An access to the SPICSR register while the SPIF bit is set
- A read to the SPIDR register.

**Note:** While the SPIF bit is set, all writes to the SPIDR register are inhibited until the SPICSR register is read.

## 11.3.3.5 Slave Mode Operation

In slave mode, the serial clock is received on the SCK pin from the master device.

To operate the SPI in slave mode:

- Write to the SPICSR register to perform the following actions:
  - Select the clock polarity and clock phase by configuring the CPOL and CPHA bits (see [Figure 40](#)).
 

**Note:** The slave must have the same CPOL and CPHA settings as the master.
  - Manage the SS pin as described in [Section 11.3.3.2](#) and [Figure 38](#). If CPHA=1 SS must be held low continuously. If CPHA=0 SS must be held low during byte transmission and pulled up between each byte to let the slave write in the shift register.
- Write to the SPICR register to clear the MSTR bit and set the SPE bit to enable the SPI I/O functions.

## 11.3.3.6 Slave Mode Transmit Sequence

When software writes to the SPIDR register, the data byte is loaded into the 8-bit shift register and then shifted out serially to the MISO pin most significant bit first.

The transmit sequence begins when the slave device receives the clock signal and the most significant bit of the data on its MOSI pin.

When data transfer is complete:

- The SPIF bit is set by hardware
- An interrupt request is generated if SPIE bit is set and interrupt mask in the CCR register is cleared.

Clearing the SPIF bit is performed by the following software sequence:

- An access to the SPICSR register while the SPIF bit is set.
- A write or a read to the SPIDR register.

**Notes:** While the SPIF bit is set, all writes to the SPIDR register are inhibited until the SPICSR register is read.

The SPIF bit can be cleared during a second transmission; however, it must be cleared before the second SPIF bit in order to prevent an Overrun condition (see [Section 11.3.5.2](#)).

**SERIAL PERIPHERAL INTERFACE (Cont'd)**

**11.3.4 Clock Phase and Clock Polarity**

Four possible timing relationships may be chosen by software, using the CPOL and CPHA bits (See Figure 40).

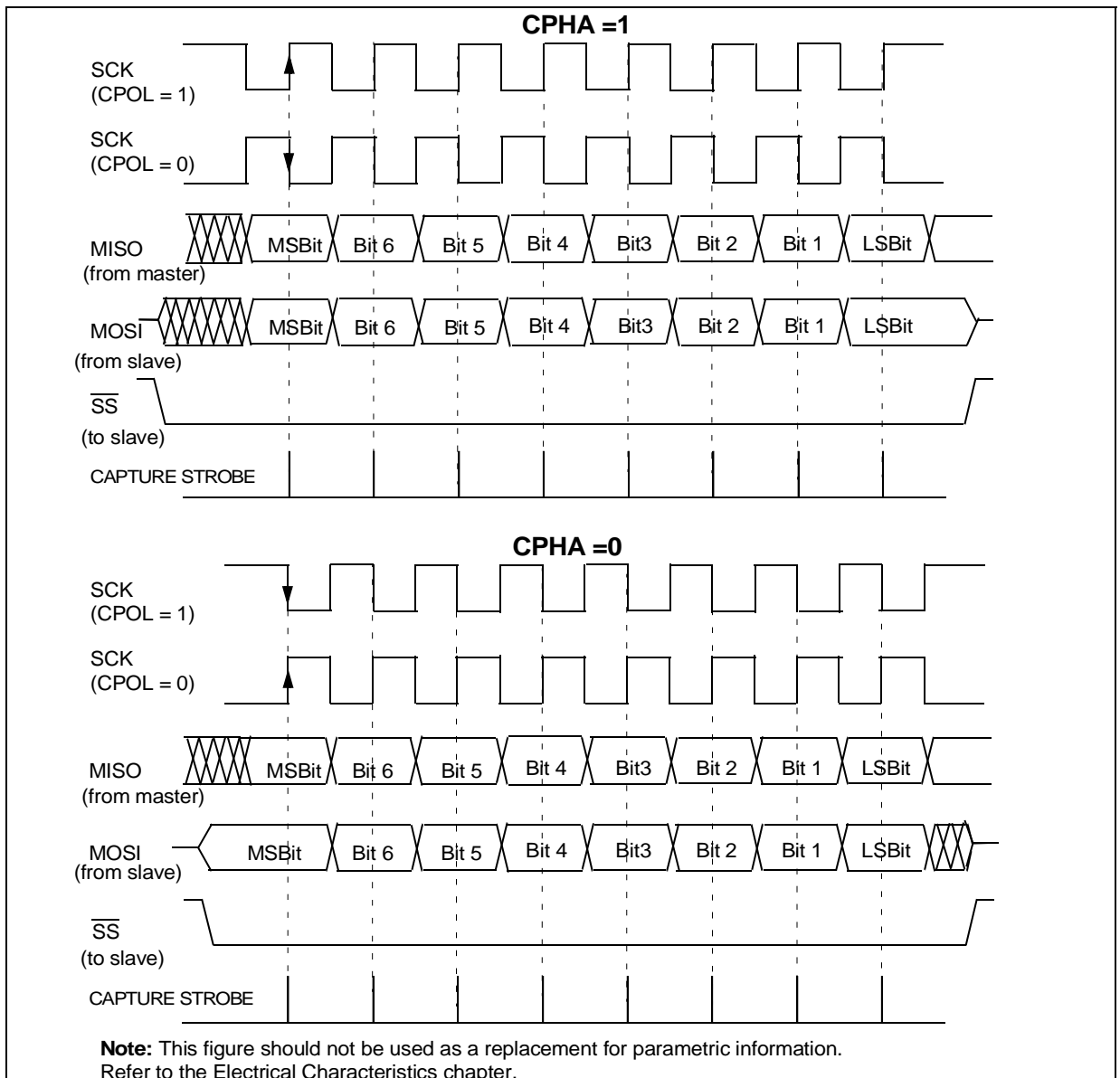
**Note:** The idle state of SCK must correspond to the polarity selected in the SPICSR register (by pulling up SCK if CPOL=1 or pulling down SCK if CPOL=0).

The combination of the CPOL clock polarity and CPHA (clock phase) bits selects the data capture clock edge

Figure 40, shows an SPI transfer with the four combinations of the CPHA and CPOL bits. The diagram may be interpreted as a master or slave timing diagram where the SCK pin, the MISO pin, the MOSI pin are directly connected between the master and the slave device.

**Note:** If CPOL is changed at the communication byte boundaries, the SPI must be disabled by re-setting the SPE bit.

**Figure 40. Data Clock Timing Diagram**



**SERIAL PERIPHERAL INTERFACE (Cont'd)**

**11.3.5 Error Flags**

**11.3.5.1 Master Mode Fault (MODF)**

Master mode fault occurs when the master device has its SS pin pulled low.

When a Master mode fault occurs:

- The MODF bit is set and an SPI interrupt request is generated if the SPIE bit is set.
- The SPE bit is reset. This blocks all output from the device and disables the SPI peripheral.
- The MSTR bit is reset, thus forcing the device into slave mode.

Clearing the MODF bit is done through a software sequence:

1. A read access to the SPICSR register while the MODF bit is set.
2. A write to the SPICR register.

**Notes:** To avoid any conflicts in an application with multiple slaves, the SS pin must be pulled high during the MODF bit clearing sequence. The SPE and MSTR bits may be restored to their original state during or after this clearing sequence.

Hardware does not allow the user to set the SPE and MSTR bits while the MODF bit is set except in the MODF bit clearing sequence.

**11.3.5.2 Overrun Condition (OVR)**

An overrun condition occurs, when the master device has sent a data byte and the slave device has

not cleared the SPIF bit issued from the previously transmitted byte.

When an Overrun occurs:

- The OVR bit is set and an interrupt request is generated if the SPIE bit is set.

In this case, the receiver buffer contains the byte sent after the SPIF bit was last cleared. A read to the SPIDR register returns this byte. All other bytes are lost.

The OVR bit is cleared by reading the SPICSR register.

**11.3.5.3 Write Collision Error (WCOL)**

A write collision occurs when the software tries to write to the SPIDR register while a data transfer is taking place with an external device. When this happens, the transfer continues uninterrupted; and the software write will be unsuccessful.

Write collisions can occur both in master and slave mode. See also [Section 11.3.3.2 Slave Select Management](#).

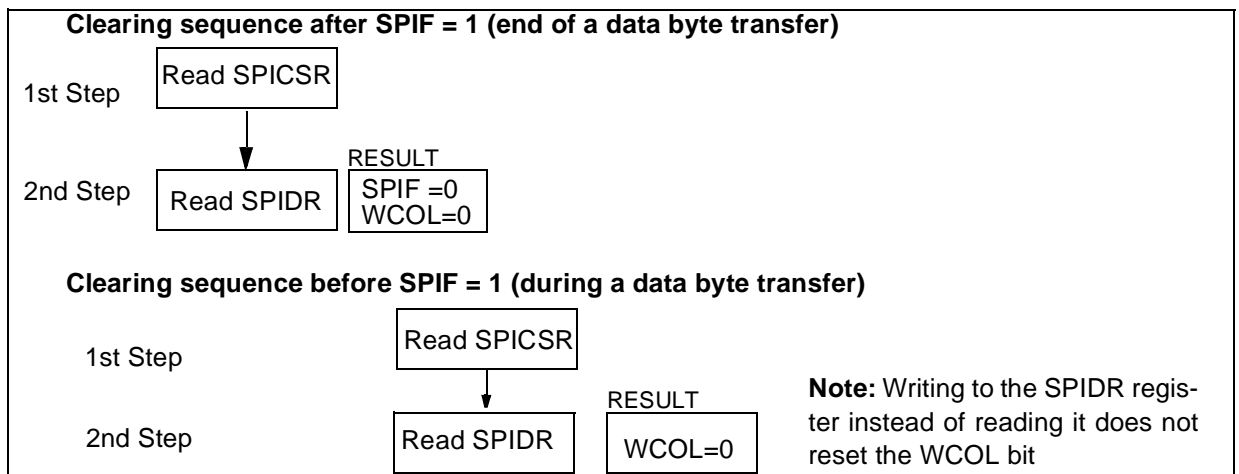
**Note:** a "read collision" will never occur since the received data byte is placed in a buffer in which access is always synchronous with the MCU operation.

The WCOL bit in the SPICSR register is set if a write collision occurs.

No SPI interrupt is generated when the WCOL bit is set (the WCOL bit is a status flag only).

Clearing the WCOL bit is done through a software sequence (see [Figure 41](#)).

**Figure 41. Clearing the WCOL bit (Write Collision Flag) Software Sequence**



## SERIAL PERIPHERAL INTERFACE (Cont'd)

### 11.3.5.4 Single Master Systems

A typical single master system may be configured, using an MCU as the master and four MCUs as slaves (see Figure 42).

The master device selects the individual slave devices by using four pins of a parallel port to control the four  $\overline{SS}$  pins of the slave devices.

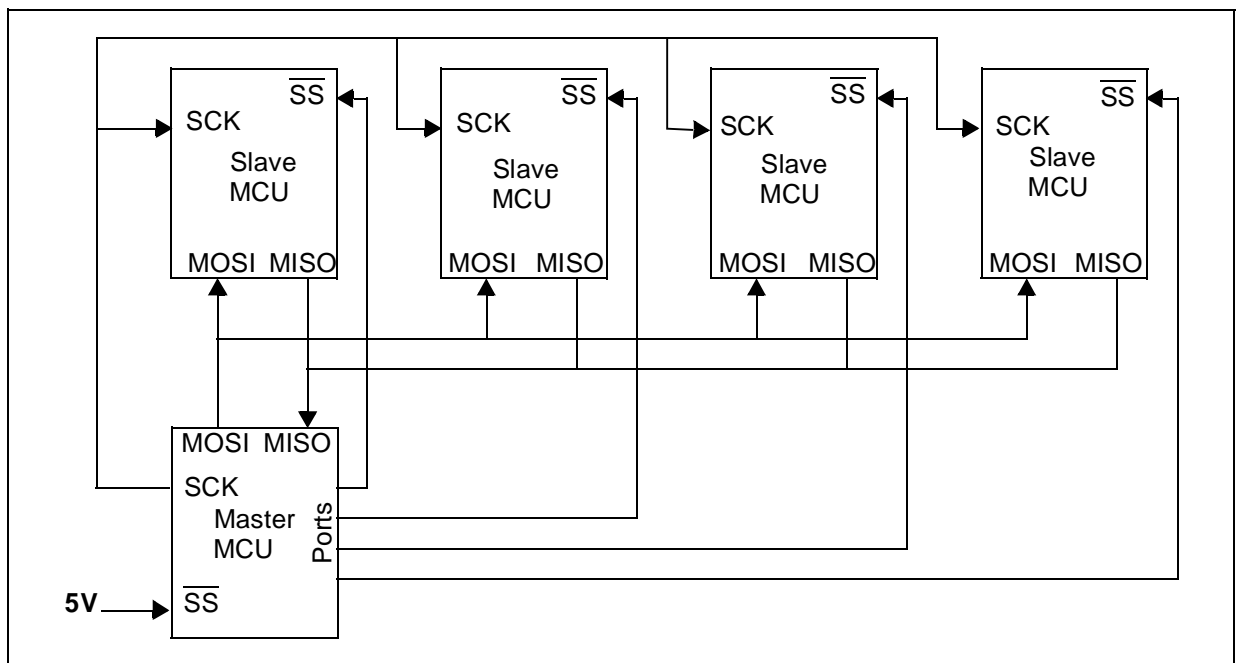
The  $\overline{SS}$  pins are pulled high during reset since the master device ports will be forced to be inputs at that time, thus disabling the slave devices.

**Note:** To prevent a bus conflict on the MISO line the master allows only one active slave device during a transmission.

For more security, the slave device may respond to the master with the received data byte. Then the master will receive the previous byte back from the slave device if all MISO and MOSI pins are connected and the slave has not written to its SPIDR register.

Other transmission security methods can use ports for handshake lines or data bytes with command fields.

Figure 42. Single Master / Multiple Slave Configuration



SERIAL PERIPHERAL INTERFACE (Cont'd)

11.3.6 Low Power Modes

Mode	Description
WAIT	No effect on SPI. SPI interrupt events cause the device to exit from WAIT mode.
HALT	SPI registers are frozen. In HALT mode, the SPI is inactive. SPI operation resumes when the MCU is woken up by an interrupt with "exit from HALT mode" capability. The data received is subsequently read from the SPIDR register when the software is running (interrupt vector fetching). If several data are received before the wake-up event, then an overrun error is generated. This error can be detected after the fetch of the interrupt routine that woke up the device.

11.3.6.1 Using the SPI to wakeup the MCU from Halt mode

In slave configuration, the SPI is able to wakeup the ST7 device from HALT mode through a SPIF interrupt. The data received is subsequently read from the SPIDR register when the software is running (interrupt vector fetch). If multiple data transfers have been performed before software clears the SPIF bit, then the OVR bit is set by hardware.

**Note:** When waking up from Halt mode, if the SPI remains in Slave mode, it is recommended to perform an extra communications cycle to bring the SPI from Halt mode state to normal state. If the

SPI exits from Slave mode, it returns to normal state immediately.

**Caution:** The SPI can wake up the ST7 from Halt mode only if the Slave Select signal (external SS pin or the SSI bit in the SPICSR register) is low when the ST7 enters Halt mode. So if Slave selection is configured as external (see [Section 11.3.3.2](#)), make sure the master drives a low level on the SS pin when the slave enters Halt mode.

11.3.7 Interrupts

Interrupt Event	Event Flag	Enable Control Bit	Exit from Wait	Exit from Halt
SPI End of Transfer Event	SPIF	SPIE	Yes	Yes
Master Mode Fault Event	MODF		Yes	No
Overrun Error	OVR		Yes	No

**Note:** The SPI interrupt events are connected to the same interrupt vector (see Interrupts chapter). They generate an interrupt if the corresponding Enable Control Bit is set and the interrupt mask in the CC register is reset (RIM instruction).



**SERIAL PERIPHERAL INTERFACE (Cont'd)**

**11.3.8 Register Description**

**CONTROL REGISTER (SPICR)**

Read/Write

Reset Value: 0000 xxxx (0xh)

7							0
SPIE	SPE	SPR2	MSTR	CPOL	CPHA	SPR1	SPR0

Bit 7 = **SPIE** *Serial Peripheral Interrupt Enable*.

This bit is set and cleared by software.

0: Interrupt is inhibited

1: An SPI interrupt is generated whenever SPIF=1, MODF=1 or OVR=1 in the SPICSR register

Bit 6 = **SPE** *Serial Peripheral Output Enable*.

This bit is set and cleared by software. It is also cleared by hardware when, in master mode, SS=0 (see [Section 11.3.5.1 Master Mode Fault \(MODF\)](#)). The SPE bit is cleared by reset, so the SPI peripheral is not initially connected to the external pins.

0: I/O pins free for general purpose I/O

1: SPI I/O pin alternate functions enabled

Bit 5 = **SPR2** *Divider Enable*.

This bit is set and cleared by software and is cleared by reset. It is used with the SPR[1:0] bits to set the baud rate. Refer to [Table 15 SPI Master mode SCK Frequency](#).

0: Divider by 2 enabled

1: Divider by 2 disabled

**Note:** This bit has no effect in slave mode.

Bit 4 = **MSTR** *Master Mode*.

This bit is set and cleared by software. It is also cleared by hardware when, in master mode, SS=0 (see [Section 11.3.5.1 Master Mode Fault \(MODF\)](#)).

0: Slave mode

1: Master mode. The function of the SCK pin changes from an input to an output and the functions of the MISO and MOSI pins are reversed.

Bit 3 = **CPOL** *Clock Polarity*.

This bit is set and cleared by software. This bit determines the idle state of the serial Clock. The CPOL bit affects both the master and slave modes.

0: SCK pin has a low level idle state

1: SCK pin has a high level idle state

**Note:** If CPOL is changed at the communication byte boundaries, the SPI must be disabled by re-setting the SPE bit.

Bit 2 = **CPHA** *Clock Phase*.

This bit is set and cleared by software.

0: The first clock transition is the first data capture edge.

1: The second clock transition is the first capture edge.

**Note:** The slave must have the same CPOL and CPHA settings as the master.

Bits 1:0 = **SPR[1:0]** *Serial Clock Frequency*.

These bits are set and cleared by software. Used with the SPR2 bit, they select the baud rate of the SPI serial clock SCK output by the SPI in master mode.

**Note:** These 2 bits have no effect in slave mode.

**Table 15. SPI Master mode SCK Frequency**

Serial Clock	SPR2	SPR1	SPR0
$f_{CPU}/4$	1	0	0
$f_{CPU}/8$	0	0	0
$f_{CPU}/16$	0	0	1
$f_{CPU}/32$	1	1	0
$f_{CPU}/64$	0	1	0
$f_{CPU}/128$	0	1	1

**SERIAL PERIPHERAL INTERFACE (Cont'd)**

**CONTROL/STATUS REGISTER (SPICSR)**

Read/Write (some bits Read Only)

Reset Value: 0000 0000 (00h)

7							0
SPIF	WCOL	OVR	MODF	-	SOD	SSM	SSI

Bit 7 = **SPIF** *Serial Peripheral Data Transfer Flag (Read only).*

This bit is set by hardware when a transfer has been completed. An interrupt is generated if SPIE=1 in the SPICR register. It is cleared by a software sequence (an access to the SPICSR register followed by a write or a read to the SPIDR register).

0: Data transfer is in progress or the flag has been cleared.

1: Data transfer between the device and an external device has been completed.

**Note:** While the SPIF bit is set, all writes to the SPIDR register are inhibited until the SPICSR register is read.

Bit 6 = **WCOL** *Write Collision status (Read only).*

This bit is set by hardware when a write to the SPIDR register is done during a transmit sequence. It is cleared by a software sequence (see [Figure 41](#)).

0: No write collision occurred

1: A write collision has been detected

Bit 5 = **OVR** *SPI Overrun error (Read only).*

This bit is set by hardware when the byte currently being received in the shift register is ready to be transferred into the SPIDR register while SPIF = 1 (See [Section 11.3.5.2](#)). An interrupt is generated if SPIE = 1 in SPICSR register. The OVR bit is cleared by software reading the SPICSR register.

0: No overrun error

1: Overrun error detected

Bit 4 = **MODF** *Mode Fault flag (Read only).*

This bit is set by hardware when the SS pin is pulled low in master mode (see [Section 11.3.5.1 Master Mode Fault \(MODF\)](#)). An SPI interrupt can be generated if SPIE=1 in the SPICSR register. This bit is cleared by a software sequence (An access to the SPICSR register while MODF=1 followed by a write to the SPICR register).

0: No master mode fault detected

1: A fault in master mode has been detected

Bit 3 = Reserved, must be kept cleared.

Bit 2 = **SOD** *SPI Output Disable.*

This bit is set and cleared by software. When set, it disables the alternate function of the SPI output (MOSI in master mode / MISO in slave mode)

0: SPI output enabled (if SPE=1)

1: SPI output disabled

Bit 1 = **SSM** *SS Management.*

This bit is set and cleared by software. When set, it disables the alternate function of the SPI SS pin and uses the SSI bit value instead. See [Section 11.3.3.2 Slave Select Management](#).

0: Hardware management (SS managed by external pin)

1: Software management (internal SS signal controlled by SSI bit. External SS pin free for general-purpose I/O)

Bit 0 = **SSI** *SS Internal Mode.*

This bit is set and cleared by software. It acts as a 'chip select' by controlling the level of the SS slave select signal when the SSM bit is set.

0 : Slave selected

1 : Slave deselected

**DATA I/O REGISTER (SPIDR)**

Read/Write

Reset Value: Undefined

7							0
D7	D6	D5	D4	D3	D2	D1	D0

The SPIDR register is used to transmit and receive data on the serial bus. In a master device, a write to this register will initiate transmission/reception of another byte.

**Notes:** During the last clock cycle the SPIF bit is set, a copy of the received data byte in the shift register is moved to a buffer. When the user reads the serial peripheral data I/O register, the buffer is actually being read.

While the SPIF bit is set, all writes to the SPIDR register are inhibited until the SPICSR register is read.

**Warning:** A write to the SPIDR register places data directly into the shift register for transmission.

A read to the SPIDR register returns the value located in the buffer and not the content of the shift register (see [Figure 36](#)).

## SERIAL PERIPHERAL INTERFACE (Cont'd)

Table 16. SPI Register Map and Reset Values

Address (Hex.)	Register Label	7	6	5	4	3	2	1	0
31	<b>SPIDR</b> Reset Value	MSB x	x	x	x	x	x	x	LSB x
32	<b>SPICR</b> Reset Value	SPIE 0	SPE 0	SPR2 0	MSTR 0	CPOL x	CPHA x	SPR1 x	SPR0 x
33	<b>SPICSR</b> Reset Value	SPIF 0	WCOL 0	OVR 0	MODF 0	0	SOD 0	SSM 0	SSI 0

11.4 8-BIT A/D CONVERTER (ADC)

11.4.1 Introduction

The on-chip Analog to Digital Converter (ADC) peripheral is a 8-bit, successive approximation converter with internal sample and hold circuitry. This peripheral has up to 5 multiplexed analog input channels (refer to device pin out description) that allow the peripheral to convert the analog voltage levels from up to 5 different sources.

The result of the conversion is stored in a 8-bit Data Register. The A/D converter is controlled through a Control/Status Register.

11.4.2 Main Features

- 8-bit conversion
- Up to 5 channels with multiplexed input
- Linear successive approximation
- Dual input range
  - 0 to  $V_{DD}$  or
  - 0V to 250mV
- Data register (DR) which contains the results
- Conversion complete status flag
- On/off bit (to reduce consumption)
- Fixed gain operational amplifier (x8) (not available on ST7LITES5 devices)

11.4.3 Functional Description

11.4.3.1 Analog Power Supply

The block diagram is shown in Figure 43.

$V_{DD}$  and  $V_{SS}$  are the high and low level reference voltage pins.

Conversion accuracy may therefore be impacted by voltage drops and noise in the event of heavily loaded or badly decoupled power supply lines.

For more details, refer to the Electrical characteristics section.

11.4.3.2 Input Voltage Amplifier

The input voltage can be amplified by a factor of 8 by enabling the AMPSEL bit in the ADAMP register.

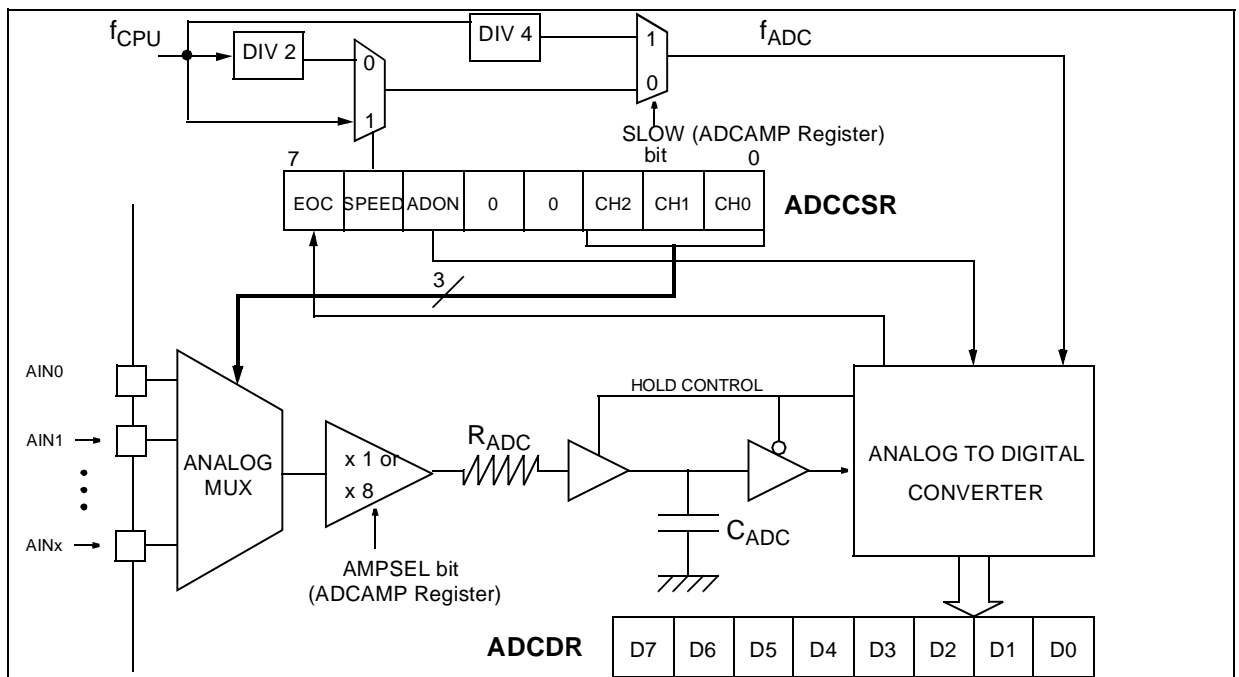
When the amplifier is enabled, the input range is 0V to 250 mV.

For example, if  $V_{DD} = 5V$ , then the ADC can convert voltages in the range 0V to 250mV with an ideal resolution of 2.4mV (equivalent to 11-bit resolution with reference to a  $V_{SS}$  to  $V_{DD}$  range).

For more details, refer to the Electrical characteristics section.

**Note:** The amplifier is switched on by the ADON bit in the ADCCSR register, so no additional start-up time is required when the amplifier is selected by the AMPSEL bit.

Figure 43. ADC Block Diagram



## 8-BIT A/D CONVERTER (ADC) (Cont'd)

### 11.4.3.3 Digital A/D Conversion Result

The conversion is monotonic, meaning that the result never decreases if the analog input does not and never increases if the analog input does not.

If the input voltage ( $V_{AIN}$ ) is greater than or equal to  $V_{DDA}$  (high-level voltage reference) then the conversion result in the DR register is FFh (full scale) without overflow indication.

If input voltage ( $V_{AIN}$ ) is lower than or equal to  $V_{SSA}$  (low-level voltage reference) then the conversion result in the DR register is 00h.

The A/D converter is linear and the digital result of the conversion is stored in the ADCDR register. The accuracy of the conversion is described in the parametric section.

$R_{AIN}$  is the maximum recommended impedance for an analog input signal. If the impedance is too high, this will result in a loss of accuracy due to leakage and sampling not being completed in the allotted time.

### 11.4.3.4 A/D Conversion Phases

The A/D conversion is based on two conversion phases as shown in Figure 44:

- Sample capacitor loading [duration:  $t_{SAMPLE}$ ]  
During this phase, the  $V_{AIN}$  input voltage to be measured is loaded into the  $C_{ADC}$  sample capacitor.
- A/D conversion [duration:  $t_{HOLD}$ ]  
During this phase, the A/D conversion is computed (8 successive approximations cycles) and the  $C_{ADC}$  sample capacitor is disconnected from the analog input pin to get the optimum analog to digital conversion accuracy.
- The total conversion time:  
 $t_{CONV} = t_{SAMPLE} + t_{HOLD}$

While the ADC is on, these two phases are continuously repeated.

At the end of each conversion, the sample capacitor is kept loaded with the previous measurement load. The advantage of this behaviour is that it minimizes the current consumption on the analog pin in case of single input channel measurement.

### 11.4.3.5 Software Procedure

Refer to the control/status register (CSR) and data register (DR) in Section 11.4.6 for the bit definitions and to Figure 44 for the timings.

### ADC Configuration

The analog input ports must be configured as input, no pull-up, no interrupt. Refer to the «I/O ports» chapter. Using these pins as analog inputs does not affect the ability of the port to be read as a logic input.

In the CSR register:

- Select the CH[2:0] bits to assign the analog channel to be converted.

### ADC Conversion

In the CSR register:

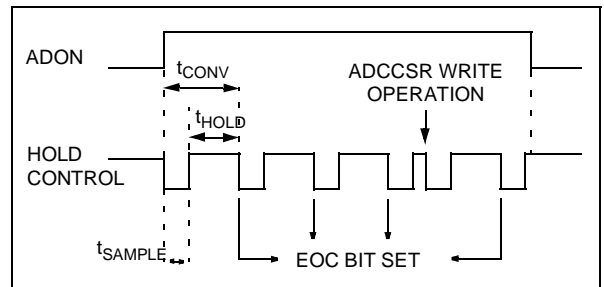
- Set the ADON bit to enable the A/D converter and to start the first conversion. From this time on, the ADC performs a continuous conversion of the selected channel.

When a conversion is complete

- The EOC bit is set by hardware.
- No interrupt is generated.
- The result is in the DR register and remains valid until the next conversion has ended.

A write to the ADCCSR register (with ADON set) aborts the current conversion, resets the EOC bit and starts a new conversion.

Figure 44. ADC Conversion Timings



### 11.4.4 Low Power Modes

Mode	Description
WAIT	No effect on A/D Converter
HALT	A/D Converter disabled. After wakeup from Halt mode, the A/D Converter requires a stabilization time before accurate conversions can be performed.

**Note:** The A/D converter may be disabled by resetting the ADON bit. This feature allows reduced power consumption when no conversion is needed and between single shot conversions.

### 11.4.5 Interrupts

None

8-BIT A/D CONVERTER (ADC) (Cont'd)

11.4.6 Register Description

CONTROL/STATUS REGISTER (ADCCSR)

Read/Write

Reset Value: 0000 0000 (00h)

7							0
EOC	SPEED	ADON	0	0	CH2	CH1	CH0

Bit 7 = **EOC Conversion Complete**

This bit is set by hardware. It is cleared by software reading the result in the DR register or writing to the CSR register.

0: Conversion is not complete

1: Conversion can be read from the DR register

Bit 6 = **SPEED ADC clock selection**

This bit is set and cleared by software. It is used together with the SLOW bit to configure the ADC clock speed. Refer to the table in the SLOW bit description.

Bit 5 = **ADON A/D Converter and Amplifier On**

This bit is set and cleared by software.

0: A/D converter and amplifier are switched off

1: A/D converter and amplifier are switched on

**Note:** Amplifier not available on ST7LITES5 devices

Bit 4:3 = **Reserved. must always be cleared.**

Bits 2:0 = **CH[2:0] Channel Selection**

These bits are set and cleared by software. They select the analog input to convert.

Channel Pin <sup>1</sup>	CH2	CH1	CH0
AIN0	0	0	0
AIN1	0	0	1
AIN2	0	1	0
AIN3	0	1	1
AIN4	1	0	0

**Notes:**

1. The number of pins AND the channel selection varies according to the device. Refer to the device pinout.

2. A write to the ADCCSR register (with ADON set) aborts the current conversion, resets the EOC bit and starts a new conversion.

DATA REGISTER (ADCDAT)

Read Only

Reset Value: 0000 0000 (00h)

7							0
D7	D6	D5	D4	D3	D2	D1	D0

Bits 7:0 = **D[7:0] Analog Converted Value**

This register contains the converted analog value in the range 00h to FFh.

**Note:** Reading this register reset the EOC flag.

AMPLIFIER CONTROL REGISTER (ADCAMP)

Read/Write

Reset Value: 0000 0000 (00h)

7							0
0	0	0	0	SLOW	AMP-SEL	0	0

Bit 7:4 = **Reserved. Forced by hardware to 0.**

Bit 3 = **SLOW Slow mode**

This bit is set and cleared by software. It is used together with the SPEED bit to configure the ADC clock speed as shown on the table below.

$f_{ADC}$	SLOW	SPEED
$f_{CPU}/2$	0	0
$f_{CPU}$	0	1
$f_{CPU}/4$	1	x

Bit 2 = **AMPSEL Amplifier Selection Bit**

This bit is set and cleared by software. For ST7LITES5 devices, this bit must be kept at its reset value (0).

0: Amplifier is not selected

1: Amplifier is selected

**Note:** When AMPSEL=1 it is mandatory that  $f_{ADC}$  be less than or equal to 2 MHz.

Bit 1:0 = **Reserved. Forced by hardware to 0.**

**Note:** If ADC settings are changed by writing the ADCAMP register while the ADC is running, a dummy conversion is needed before obtaining results with the new settings.

Table 17. ADC Register Map and Reset Values

Address (Hex.)	Register Label	7	6	5	4	3	2	1	0
34h	<b>ADCCSR</b> Reset Value	EOC 0	SPEED 0	ADON 0	0	0	CH2 0	CH1 0	CH0 0
35h	<b>ADCDAT</b> Reset Value	D7 0	D6 0	D5 0	D4 0	D3 0	D2 0	D1 0	D0 0
36h	<b>ADCAMP</b> Reset Value	0	0	0	0	SLOW 0	AMPSEL 0	0	0

## 12 INSTRUCTION SET

### 12.1 ST7 ADDRESSING MODES

The ST7 Core features 17 different addressing modes which can be classified in 7 main groups:

Addressing Mode	Example
Inherent	nop
Immediate	ld A,#\$55
Direct	ld A,\$55
Indexed	ld A,(\$55,X)
Indirect	ld A,([\$55],X)
Relative	jrne loop
Bit operation	bset byte,#5

The ST7 Instruction set is designed to minimize the number of bytes required per instruction: To do

**Table 18. ST7 Addressing Mode Overview**

Mode			Syntax	Destination/ Source	Pointer Address (Hex.)	Pointer Size (Hex.)	Length (Bytes)
Inherent			nop				+ 0
Immediate			ld A,#\$55				+ 1
Short	Direct		ld A,\$10	00..FF			+ 1
Long	Direct		ld A,\$1000	0000..FFFF			+ 2
No Offset	Direct	Indexed	ld A,(X)	00..FF			+ 0 (with X register) + 1 (with Y register)
Short	Direct	Indexed	ld A,(\$10,X)	00..1FE			+ 1
Long	Direct	Indexed	ld A,(\$1000,X)	0000..FFFF			+ 2
Short	Indirect		ld A,[\$10]	00..FF	00..FF	byte	+ 2
Long	Indirect		ld A,[\$10.w]	0000..FFFF	00..FF	word	+ 2
Short	Indirect	Indexed	ld A,([\$10],X)	00..1FE	00..FF	byte	+ 2
Long	Indirect	Indexed	ld A,([\$10.w],X)	0000..FFFF	00..FF	word	+ 2
Relative	Direct		jrne loop	PC-128/PC+127 <sup>1)</sup>			+ 1
Relative	Indirect		jrne [\$10]	PC-128/PC+127 <sup>1)</sup>	00..FF	byte	+ 2
Bit	Direct		bset \$10,#7	00..FF			+ 1
Bit	Indirect		bset [\$10],#7	00..FF	00..FF	byte	+ 2
Bit	Direct	Relative	btjt \$10,#7,skip	00..FF			+ 2
Bit	Indirect	Relative	btjt [\$10],#7,skip	00..FF	00..FF	byte	+ 3

**Note 1.** At the time the instruction is executed, the Program Counter (PC) points to the instruction following JRxx.

so, most of the addressing modes may be subdivided in two sub-modes called long and short:

- Long addressing mode is more powerful because it can use the full 64 Kbyte address space, however it uses more bytes and more CPU cycles.
- Short addressing mode is less powerful because it can generally only access page zero (0000h - 00FFh range), but the instruction size is more compact, and faster. All memory to memory instructions use short addressing modes only (CLR, CPL, NEG, BSET, BRES, BTJT, BTJF, INC, DEC, RLC, RRC, SLL, SRL, SRA, SWAP)

The ST7 Assembler optimizes the use of long and short addressing modes.



**ST7 ADDRESSING MODES (Cont'd)****12.1.1 Inherent**

All Inherent instructions consist of a single byte. The opcode fully specifies all the required information for the CPU to process the operation.

Inherent Instruction	Function
NOP	No operation
TRAP	S/W Interrupt
WFI	Wait For Interrupt (Low Power Mode)
HALT	Halt Oscillator (Lowest Power Mode)
RET	Sub-routine Return
IRET	Interrupt Sub-routine Return
SIM	Set Interrupt Mask
RIM	Reset Interrupt Mask
SCF	Set Carry Flag
RCF	Reset Carry Flag
RSP	Reset Stack Pointer
LD	Load
CLR	Clear
PUSH/POP	Push/Pop to/from the stack
INC/DEC	Increment/Decrement
TNZ	Test Negative or Zero
CPL, NEG	1 or 2 Complement
MUL	Byte Multiplication
SLL, SRL, SRA, RLC, RRC	Shift and Rotate Operations
SWAP	Swap Nibbles

**12.1.2 Immediate**

Immediate instructions have two bytes, the first byte contains the opcode, the second byte contains the operand value.

Immediate Instruction	Function
LD	Load
CP	Compare
BCP	Bit Compare
AND, OR, XOR	Logical Operations
ADC, ADD, SUB, SBC	Arithmetic Operations

**12.1.3 Direct**

In Direct instructions, the operands are referenced by their memory address.

The direct addressing mode consists of two sub-modes:

**Direct (short)**

The address is a byte, thus requires only one byte after the opcode, but only allows 00 - FF addressing space.

**Direct (long)**

The address is a word, thus allowing 64 Kbyte addressing space, but requires 2 bytes after the opcode.

**12.1.4 Indexed (No Offset, Short, Long)**

In this mode, the operand is referenced by its memory address, which is defined by the unsigned addition of an index register (X or Y) with an offset.

The indirect addressing mode consists of three sub-modes:

**Indexed (No Offset)**

There is no offset, (no extra byte after the opcode), and allows 00 - FF addressing space.

**Indexed (Short)**

The offset is a byte, thus requires only one byte after the opcode and allows 00 - 1FE addressing space.

**Indexed (long)**

The offset is a word, thus allowing 64 Kbyte addressing space and requires 2 bytes after the opcode.

**12.1.5 Indirect (Short, Long)**

The required data byte to do the operation is found by its memory address, located in memory (pointer).

The pointer address follows the opcode. The indirect addressing mode consists of two sub-modes:

**Indirect (short)**

The pointer address is a byte, the pointer size is a byte, thus allowing 00 - FF addressing space, and requires 1 byte after the opcode.

**Indirect (long)**

The pointer address is a byte, the pointer size is a word, thus allowing 64 Kbyte addressing space, and requires 1 byte after the opcode.

**ST7 ADDRESSING MODES (Cont'd)**

**12.1.6 Indirect Indexed (Short, Long)**

This is a combination of indirect and short indexed addressing modes. The operand is referenced by its memory address, which is defined by the unsigned addition of an index register value (X or Y) with a pointer value located in memory. The pointer address follows the opcode.

The indirect indexed addressing mode consists of two sub-modes:

**Indirect Indexed (Short)**

The pointer address is a byte, the pointer size is a byte, thus allowing 00 - 1FE addressing space, and requires 1 byte after the opcode.

**Indirect Indexed (Long)**

The pointer address is a byte, the pointer size is a word, thus allowing 64 Kbyte addressing space, and requires 1 byte after the opcode.

**Table 19. Instructions Supporting Direct, Indexed, Indirect and Indirect Indexed Addressing Modes**

Long and Short Instructions	Function
LD	Load
CP	Compare
AND, OR, XOR	Logical Operations
ADC, ADD, SUB, SBC	Arithmetic Addition/subtraction operations
BCP	Bit Compare

Short Instructions Only	Function
CLR	Clear
INC, DEC	Increment/Decrement
TNZ	Test Negative or Zero
CPL, NEG	1 or 2 Complement
BSET, BRES	Bit Operations
BTJT, BTJF	Bit Test and Jump Operations
SLL, SRL, SRA, RLC, RRC	Shift and Rotate Operations

SWAP	Swap Nibbles
CALL, JP	Call or Jump subroutine

**12.1.7 Relative Mode (Direct, Indirect)**

This addressing mode is used to modify the PC register value by adding an 8-bit signed offset to it.

Available Relative Direct/Indirect Instructions	Function
JRxx	Conditional Jump
CALLR	Call Relative

The relative addressing mode consists of two sub-modes:

**Relative (Direct)**

The offset follows the opcode.

**Relative (Indirect)**

The offset is defined in memory, of which the address follows the opcode.

## 12.2 INSTRUCTION GROUPS

The ST7 family devices use an Instruction Set consisting of 63 instructions. The instructions may be subdivided into 13 main groups as illustrated in the following table:

Load and Transfer	LD	CLR						
Stack operation	PUSH	POP	RSP					
Increment/Decrement	INC	DEC						
Compare and Tests	CP	TNZ	BCP					
Logical operations	AND	OR	XOR	CPL	NEG			
Bit Operation	BSET	BRES						
Conditional Bit Test and Branch	BTJT	BTJF						
Arithmetic operations	ADC	ADD	SUB	SBC	MUL			
Shift and Rotates	SLL	SRL	SRA	RLC	RRC	SWAP	SLA	
Unconditional Jump or Call	JRA	JRT	JRF	JP	CALL	CALLR	NOP	RET
Conditional Branch	JRxx							
Interrupt management	TRAP	WFI	HALT	IRET				
Condition Code Flag modification	SIM	RIM	SCF	RCF				

### Using a pre-byte

The instructions are described with one to four bytes.

In order to extend the number of available opcodes for an 8-bit CPU (256 opcodes), three different prebyte opcodes are defined. These prebytes modify the meaning of the instruction they precede.

The whole instruction becomes:

- PC-2 End of previous instruction
- PC-1 Prebyte
- PC Opcode
- PC+1 Additional word (0 to 2) according to the number of bytes required to compute the effective address

These prebytes enable instruction in Y as well as indirect addressing modes to be implemented. They precede the opcode of the instruction in X or the instruction using direct addressing mode. The prebytes are:

- PDY 90 Replace an X based instruction using immediate, direct, indexed, or inherent addressing mode by a Y one.
- PIX 92 Replace an instruction using direct, direct bit, or direct relative addressing mode to an instruction using the corresponding indirect addressing mode. It also changes an instruction using X indexed addressing mode to an instruction using indirect X indexed addressing mode.
- PIY 91 Replace an instruction using X indirect indexed addressing mode by a Y one.

INSTRUCTION GROUPS (Cont'd)

Mnemo	Description	Function/Example	Dst	Src	H	I	N	Z	C
ADC	Add with Carry	$A = A + M + C$	A	M	H		N	Z	C
ADD	Addition	$A = A + M$	A	M	H		N	Z	C
AND	Logical And	$A = A . M$	A	M			N	Z	
BCP	Bit compare A, Memory	tst (A . M)	A	M			N	Z	
BRES	Bit Reset	bres Byte, #3	M						
BSET	Bit Set	bset Byte, #3	M						
BTJF	Jump if bit is false (0)	btjf Byte, #3, Jmp1	M						C
BTJT	Jump if bit is true (1)	btjt Byte, #3, Jmp1	M						C
CALL	Call subroutine								
CALLR	Call subroutine relative								
CLR	Clear		reg, M				0	1	
CP	Arithmetic Compare	tst(Reg - M)	reg	M			N	Z	C
CPL	One Complement	$A = FFH-A$	reg, M				N	Z	1
DEC	Decrement	dec Y	reg, M				N	Z	
HALT	Halt					0			
IRET	Interrupt routine return	Pop CC, A, X, PC			H	I	N	Z	C
INC	Increment	inc X	reg, M				N	Z	
JP	Absolute Jump	jp [TBL.w]							
JRA	Jump relative always								
JRT	Jump relative								
JRF	Never jump	jrf *							
JRIH	Jump if ext. interrupt = 1								
JRIL	Jump if ext. interrupt = 0								
JRH	Jump if H = 1	H = 1 ?							
JRNH	Jump if H = 0	H = 0 ?							
JRM	Jump if I = 1	I = 1 ?							
JRNM	Jump if I = 0	I = 0 ?							
JRMI	Jump if N = 1 (minus)	N = 1 ?							
JRPL	Jump if N = 0 (plus)	N = 0 ?							
JREQ	Jump if Z = 1 (equal)	Z = 1 ?							
JRNE	Jump if Z = 0 (not equal)	Z = 0 ?							
JRC	Jump if C = 1	C = 1 ?							
JRNC	Jump if C = 0	C = 0 ?							
JRULT	Jump if C = 1	Unsigned <							
JRUGE	Jump if C = 0	Jmp if unsigned >=							
JRUGT	Jump if (C + Z = 0)	Unsigned >							

## INSTRUCTION GROUPS (Cont'd)

Mnemo	Description	Function/Example	Dst	Src	H	I	N	Z	C
JRULE	Jump if (C + Z = 1)	Unsigned <=							
LD	Load	dst <= src	reg, M	M, reg			N	Z	
MUL	Multiply	X, A = X * A	A, X, Y	X, Y, A	0				0
NEG	Negate (2's compl)	neg \$10	reg, M				N	Z	C
NOP	No Operation								
OR	OR operation	A = A + M	A	M			N	Z	
POP	Pop from the Stack	pop reg pop CC	reg CC	M M					
PUSH	Push onto the Stack	push Y	M	reg, CC	H	I	N	Z	C
RCF	Reset carry flag	C = 0							0
RET	Subroutine Return								
RIM	Enable Interrupts	I = 0				0			
RLC	Rotate left true C	C <= Dst <= C	reg, M				N	Z	C
RRC	Rotate right true C	C => Dst => C	reg, M				N	Z	C
RSP	Reset Stack Pointer	S = Max allowed							
SBC	Subtract with Carry	A = A - M - C	A	M			N	Z	C
SCF	Set carry flag	C = 1							1
SIM	Disable Interrupts	I = 1				1			
SLA	Shift left Arithmetic	C <= Dst <= 0	reg, M				N	Z	C
SLL	Shift left Logic	C <= Dst <= 0	reg, M				N	Z	C
SRL	Shift right Logic	0 => Dst => C	reg, M				0	Z	C
SRA	Shift right Arithmetic	Dst7 => Dst => C	reg, M				N	Z	C
SUB	Subtraction	A = A - M	A	M			N	Z	C
SWAP	SWAP nibbles	Dst[7..4] <=> Dst[3..0]	reg, M				N	Z	
TNZ	Test for Neg & Zero	tnz  b 1					N	Z	
TRAP	S/W trap	S/W interrupt				1			
WFI	Wait for Interrupt					0			
XOR	Exclusive OR	A = A XOR M	A	M			N	Z	

## 13 ELECTRICAL CHARACTERISTICS

### 13.1 PARAMETER CONDITIONS

Unless otherwise specified, all voltages are referred to  $V_{SS}$ .

#### 13.1.1 Minimum and Maximum values

Unless otherwise specified the minimum and maximum values are guaranteed in the worst conditions of ambient temperature, supply voltage and frequencies by tests in production on 100% of the devices with an ambient temperature at  $T_A=25^{\circ}\text{C}$  and  $T_A=T_{A\text{max}}$  (given by the selected temperature range).

Data based on characterization results, design simulation and/or technology characteristics are indicated in the table footnotes and are not tested in production. Based on characterization, the minimum and maximum values refer to sample tests and represent the mean value plus or minus three times the standard deviation ( $\text{mean} \pm 3\sigma$ ).

#### 13.1.2 Typical values

Unless otherwise specified, typical data are based on  $T_A=25^{\circ}\text{C}$ ,  $V_{DD}=5\text{V}$  (for the  $4.5\text{V} \leq V_{DD} \leq 5.5\text{V}$  voltage range),  $V_{DD}=3.75\text{V}$  (for the  $3\text{V} \leq V_{DD} \leq 4.5\text{V}$  voltage range) and  $V_{DD}=2.7\text{V}$  (for the  $2.4\text{V} \leq V_{DD} \leq 3\text{V}$  voltage range). They are given only as design guidelines and are not tested.

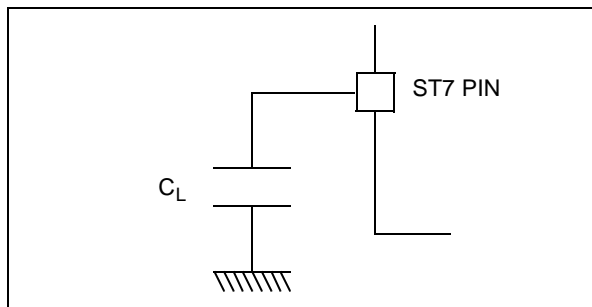
#### 13.1.3 Typical curves

Unless otherwise specified, all typical curves are given only as design guidelines and are not tested.

#### 13.1.4 Loading capacitor

The loading conditions used for pin parameter measurement are shown in [Figure 45](#).

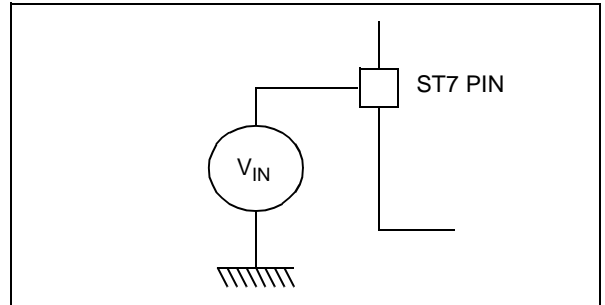
**Figure 45. Pin loading conditions**



#### 13.1.5 Pin input voltage

The input voltage measurement on a pin of the device is described in [Figure 46](#).

**Figure 46. Pin input voltage**



## 13.2 ABSOLUTE MAXIMUM RATINGS

Stresses above those listed as “absolute maximum ratings” may cause permanent damage to the device. This is a stress rating only and functional operation of the device under these conditions is not implied. Exposure to maximum rating conditions for extended periods may affect device reliability.

Exposure to maximum rating conditions for extended periods may affect device reliability.

### 13.2.1 Voltage Characteristics

Symbol	Ratings	Maximum value	Unit
$V_{DD} - V_{SS}$	Supply voltage	7.0	V
$V_{IN}$	Input voltage on any pin <sup>1) &amp; 2)</sup>	$V_{SS}-0.3$ to $V_{DD}+0.3$	
$V_{ESD(HBM)}$	Electrostatic discharge voltage (Human Body Model)	see <a href="#">section 13.7.2 on page 91</a>	
$V_{ESD(MM)}$	Electrostatic discharge voltage (Machine Model)		

### 13.2.2 Current Characteristics

Symbol	Ratings	Maximum value	Unit
$I_{VDD}$	Total current into $V_{DD}$ power lines (source) <sup>3)</sup>	100	mA
$I_{VSS}$	Total current out of $V_{SS}$ ground lines (sink) <sup>3)</sup>	100	
$I_{IO}$	Output current sunk by any standard I/O and control pin	25	
	Output current sunk by any high sink I/O pin	50	
	Output current source by any I/Os and control pin	- 25	
$I_{INJ(PIN)}^{2) \& 4)}$	Injected current on $\overline{RESET}$ pin	$\pm 5$	
	Injected current on any other pin <sup>5) &amp; 6)</sup>	$\pm 5$	
$\Sigma I_{INJ(PIN)}^{2)}$	Total injected current (sum of all I/O and control pins) <sup>5)</sup>	$\pm 20$	

### 13.2.3 Thermal Characteristics

Symbol	Ratings	Value	Unit
$T_{STG}$	Storage temperature range	-65 to +150	°C
$T_J$	Maximum junction temperature (see <a href="#">Section 14.2 THERMAL CHARACTERISTICS</a> )		

#### Notes:

- Directly connecting the  $\overline{RESET}$  and I/O pins to  $V_{DD}$  or  $V_{SS}$  could damage the device if an unintentional internal reset is generated or an unexpected change of the I/O configuration occurs (for example, due to a corrupted program counter). To guarantee safe operation, this connection has to be done through a pull-up or pull-down resistor (typical: 4.7k $\Omega$  for  $\overline{RESET}$ , 10k $\Omega$  for I/Os). Unused I/O pins must be tied in the same way to  $V_{DD}$  or  $V_{SS}$  according to their reset configuration.
- When the current limitation is not possible, the  $V_{IN}$  absolute maximum rating must be respected, otherwise refer to  $I_{INJ(PIN)}$  specification. A positive injection is induced by  $V_{IN} > V_{DD}$  while a negative injection is induced by  $V_{IN} < V_{SS}$ .
- All power ( $V_{DD}$ ) and ground ( $V_{SS}$ ) lines must always be connected to the external supply.
- Negative injection disturbs the analog performance of the device. In particular, it induces leakage currents throughout the device including the analog inputs. To avoid undesirable effects on the analog functions, care must be taken:
  - Analog input pins must have a negative injection less than 0.8 mA (assuming that the impedance of the analog voltage is lower than the specified limits)
  - Pure digital pins must have a negative injection less than 1.6mA. In addition, it is recommended to inject the current as far as possible from the analog input pins.
- When several inputs are submitted to a current injection, the maximum  $\Sigma I_{INJ(PIN)}$  is the absolute sum of the positive and negative injected currents (instantaneous values). These results are based on characterisation with  $\Sigma I_{INJ(PIN)}$  maximum current injection on four I/O port pins of the device.
- True open drain I/O port pins do not accept positive injection.

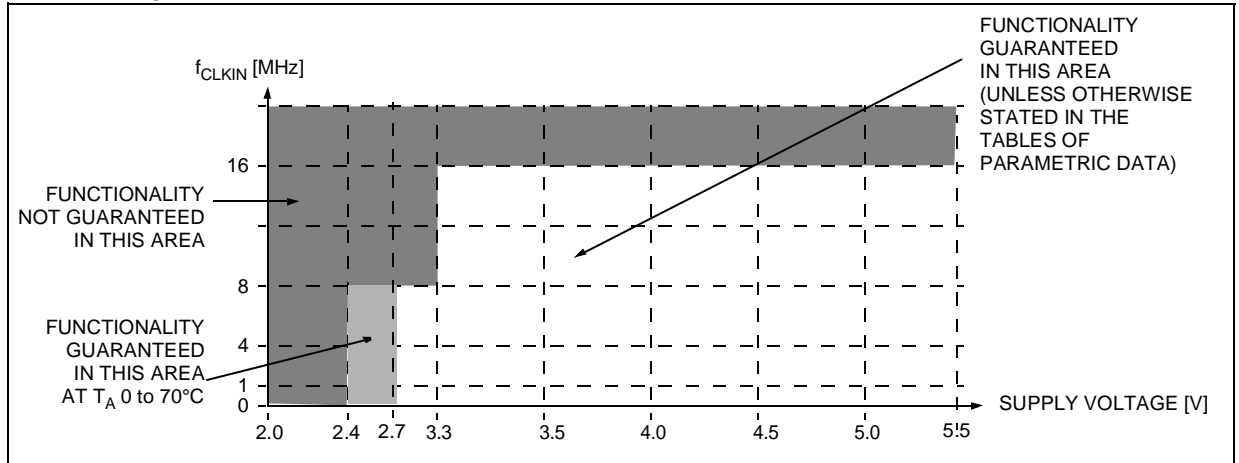
13.3 OPERATING CONDITIONS

13.3.1 General Operating Conditions: Suffix 6 Devices

T<sub>A</sub> = -40 to +85°C unless otherwise specified.

Symbol	Parameter	Conditions	Min	Max	Unit
V <sub>DD</sub>	Supply voltage	f <sub>OSC</sub> = 8 MHz. max., T <sub>A</sub> = 0 to 70°C	2.4	5.5	V
		f <sub>OSC</sub> = 8 MHz. max.	2.7	5.5	
		f <sub>OSC</sub> = 16 MHz. max.	3.3	5.5	
f <sub>CLKIN</sub>	External clock frequency on CLKIN pin	V <sub>DD</sub> ≥ 3.3V	0	16	MHz
		V <sub>DD</sub> ≥ 2.4V, T <sub>A</sub> = 0 to +70°C	0	8	
		V <sub>DD</sub> ≥ 2.7V			

Figure 47. f<sub>CLKIN</sub> Maximum Operating Frequency Versus V<sub>DD</sub> Supply Voltage





### 13.3.2 Operating Conditions with Low Voltage Detector (LVD)

$T_A = -40$  to  $125^\circ\text{C}$ , unless otherwise specified

Symbol	Parameter	Conditions	Min	Typ	Max	Unit
$V_{IT+(LVD)}$	Reset release threshold ( $V_{DD}$ rise)	High Threshold	4.00	4.25	4.50	V
		Med. Threshold	3.40	3.60	3.80	
		Low Threshold	2.65	2.90	3.15	
$V_{IT-(LVD)}$	Reset generation threshold ( $V_{DD}$ fall)	High Threshold	3.80	4.05	4.30	V
		Med. Threshold	3.20	3.40	3.65	
		Low Threshold	2.40	2.70	2.90	
$V_{hys}$	LVD voltage threshold hysteresis	$V_{IT+(LVD)} - V_{IT-(LVD)}$		200		mV
$V_{tPOR}$	$V_{DD}$ rise time rate <sup>1)</sup>		20		20000	$\mu\text{s/V}$
$t_g(V_{DD})$	Filtered glitch delay on $V_{DD}$	Not detected by the LVD			150	ns
$I_{DD(LVD)}$	LVD/AVD current consumption			200		$\mu\text{A}$

#### Notes:

1. Not tested in production. The  $V_{DD}$  rise time rate condition is needed to ensure a correct device power-on and LVD reset. When the  $V_{DD}$  slope is outside these values, the LVD may not ensure a proper reset of the MCU.

### 13.3.3 Auxiliary Voltage Detector (AVD) Thresholds

$T_A = -40$  to  $125^\circ\text{C}$ , unless otherwise specified

Symbol	Parameter	Conditions	Min	Typ	Max	Unit
$V_{IT+(AVD)}$	1=>0 AVDF flag toggle threshold ( $V_{DD}$ rise)	High Threshold	4.40	4.70	5.00	V
		Med. Threshold	3.90	4.10	4.30	
		Low Threshold	3.20	3.40	3.60	
$V_{IT-(AVD)}$	0=>1 AVDF flag toggle threshold ( $V_{DD}$ fall)	High Threshold	4.30	4.60	4.90	V
		Med. Threshold	3.70	3.90	4.10	
		Low Threshold	2.90	3.20	3.40	
$V_{hys}$	AVD voltage threshold hysteresis	$V_{IT+(AVD)} - V_{IT-(AVD)}$		150		mV
$\Delta V_{IT-}$	Voltage drop between AVD flag set and LVD reset activation	$V_{DD}$ fall	TBD	0.45		V

### 13.3.4 Internal RC Oscillator and PLL

The ST7 internal clock can be supplied by an internal RC oscillator and PLL (selectable by option byte).

Symbol	Parameter	Conditions	Min	Typ	Max	Unit
$V_{DD(RC)}$	Internal RC Oscillator operating voltage		2.4		5.5	V
$V_{DD(x4PLL)}$	x4 PLL operating voltage		2.4		3.3	
$V_{DD(x8PLL)}$	x8 PLL operating voltage		3.3		5.5	
$t_{STARTUP}$	PLL Startup time			60		PLL input clock ( $f_{PLL}$ ) cycles

**OPERATING CONDITIONS** (Cont'd)

The RC oscillator and PLL characteristics are temperature-dependent and are grouped in four tables.

**13.3.4.1 Devices with "6" order code suffix (tested for  $T_A = -40$  to  $+85^\circ\text{C}$ ) @  $V_{DD} = 4.5$  to  $5.5\text{V}$**

Symbol	Parameter	Conditions	Min	Typ	Max	Unit
$f_{RC}$	Internal RC oscillator frequency	RCCR = FF (reset value), $T_A=25^\circ\text{C}, V_{DD}=5\text{V}$		760		kHz
		RCCR = RCCR0 <sup>2)</sup> , $T_A=25^\circ\text{C}, V_{DD}=5\text{V}$		1000		
ACC <sub>RC</sub>	Accuracy of Internal RC oscillator with RCCR=RCCR0 <sup>2)</sup>	$T_A=25^\circ\text{C}, V_{DD}=4.5$ to $5.5\text{V}$	-1		+1	%
		$T_A=-40$ to $+85^\circ\text{C}, V_{DD}=5\text{V}$	-5		+2	%
		$T_A=0$ to $+85^\circ\text{C}, V_{DD}=4.5$ to $5.5\text{V}$	-2 <sup>1)</sup>		+2 <sup>1)</sup>	%
I <sub>DD(RC)</sub>	RC oscillator current consumption	$T_A=25^\circ\text{C}, V_{DD}=5\text{V}$		970 <sup>1)</sup>		μA
t <sub>su(RC)</sub>	RC oscillator setup time	$T_A=25^\circ\text{C}, V_{DD}=5\text{V}$			10 <sup>2)</sup>	μs
f <sub>PLL</sub>	x8 PLL input clock		1 <sup>1)</sup>			MHz
t <sub>LOCK</sub>	PLL Lock time <sup>5)</sup>			2		ms
t <sub>STAB</sub>	PLL Stabilization time <sup>5)</sup>			4		ms
ACC <sub>PLL</sub>	x8 PLL Accuracy	$f_{RC} = 1\text{MHz}@T_A=25^\circ\text{C}, V_{DD}=4.5$ to $5.5\text{V}$		0.1 <sup>4)</sup>		%
		$f_{RC} = 1\text{MHz}@T_A=-40$ to $+85^\circ\text{C}, V_{DD}=5\text{V}$		0.1 <sup>4)</sup>		%
t <sub>w(JIT)</sub>	PLL jitter period	$f_{RC} = 1\text{MHz}$		8 <sup>3)</sup>		kHz
JIT <sub>PLL</sub>	PLL jitter ( $\Delta f_{CPU}/f_{CPU}$ )			1 <sup>3)</sup>		%
I <sub>DD(PLL)</sub>	PLL current consumption	$T_A=25^\circ\text{C}$		600 <sup>1)</sup>		μA

**Notes:**

1. Data based on characterization results, not tested in production
2. RCCR0 is a factory-calibrated setting for 1000kHz with ±0.2 accuracy @  $T_A = 25^\circ\text{C}, V_{DD}=5\text{V}$ . See "INTERNAL RC OSCILLATOR ADJUSTMENT" on page 23
3. Guaranteed by design.
4. Averaged over a 4ms period. After the LOCKED bit is set, a period of t<sub>STAB</sub> is required to reach ACC<sub>PLL</sub> accuracy.
5. After the LOCKED bit is set ACC<sub>PLL</sub> is max. 10% until t<sub>STAB</sub> has elapsed. See [Figure 12 on page 24](#).

## OPERATING CONDITIONS (Cont'd)

13.3.4.2 Devices with "'6" order code suffix (tested for  $T_A = -40$  to  $+85^\circ\text{C}$ ) @  $V_{DD} = 2.7$  to  $3.3\text{V}$ 

Symbol	Parameter	Conditions	Min	Typ	Max	Unit
$f_{RC}$	Internal RC oscillator frequency	RCCR = FF (reset value), $T_A=25^\circ\text{C}$ , $V_{DD}= 3.0\text{V}$		560		kHz
		RCCR=RCCR1 <sup>2)</sup> , $T_A=25^\circ\text{C}$ , $V_{DD}= 3\text{V}$		700		
ACC <sub>RC</sub>	Accuracy of Internal RC oscillator when calibrated with RCCR=RCCR1 <sup>1)2)</sup>	$T_A=25^\circ\text{C}$ , $V_{DD}=3\text{V}$	-2		+2	%
		$T_A=25^\circ\text{C}$ , $V_{DD}=2.7$ to $3.3\text{V}$	-25		+25	%
		$T_A=-40$ to $+85^\circ\text{C}$ , $V_{DD}=3\text{V}$	-15		15	%
I <sub>DD(RC)</sub>	RC oscillator current consumption	$T_A=25^\circ\text{C}$ , $V_{DD}=3\text{V}$		700 <sup>1)</sup>		$\mu\text{A}$
t <sub>su(RC)</sub>	RC oscillator setup time	$T_A=25^\circ\text{C}$ , $V_{DD}=3\text{V}$			10 <sup>2)</sup>	$\mu\text{s}$
f <sub>PLL</sub>	x4 PLL input clock		1 <sup>1)</sup>			MHz
t <sub>LOCK</sub>	PLL Lock time <sup>5)</sup>			2		ms
t <sub>STAB</sub>	PLL Stabilization time <sup>5)</sup>			4		ms
ACC <sub>PLL</sub>	x4 PLL Accuracy	$f_{RC} = 1\text{MHz}$ @ $T_A=25^\circ\text{C}$ , $V_{DD}=2.7$ to $3.3\text{V}$		0.1 <sup>4)</sup>		%
		$f_{RC} = 1\text{MHz}$ @ $T_A=40$ to $+85^\circ\text{C}$ , $V_{DD}= 3\text{V}$		0.1 <sup>4)</sup>		%
t <sub>w(JIT)</sub>	PLL jitter period	$f_{RC} = 1\text{MHz}$		8 <sup>3)</sup>		kHz
JIT <sub>PLL</sub>	PLL jitter ( $\Delta f_{CPU}/f_{CPU}$ )			1 <sup>3)</sup>		%
I <sub>DD(PLL)</sub>	PLL current consumption	$T_A=25^\circ\text{C}$		190 <sup>1)</sup>		$\mu\text{A}$

**Notes:**

1. Data based on characterization results, not tested in production
2. RCCR1 is a factory-calibrated setting for 700kHz with  $\pm 2\%$  accuracy @  $T_A = 25^\circ\text{C}$ ,  $V_{DD}=3\text{V}$ . See "INTERNAL RC OSCILLATOR ADJUSTMENT" on page 23.
3. Guaranteed by design.
4. Averaged over a 4ms period. After the LOCKED bit is set, a period of t<sub>STAB</sub> is required to reach ACC<sub>PLL</sub> accuracy
5. After the LOCKED bit is set ACC<sub>PLL</sub> is max. 10% until t<sub>STAB</sub> has elapsed. See [Figure 12 on page 24](#).

OPERATING CONDITIONS (Cont'd)

Figure 48. RC Osc Freq vs  $V_{DD}$  @  $T_A=25^\circ\text{C}$   
(Calibrated with RCCR1: 3V @  $25^\circ\text{C}$ )

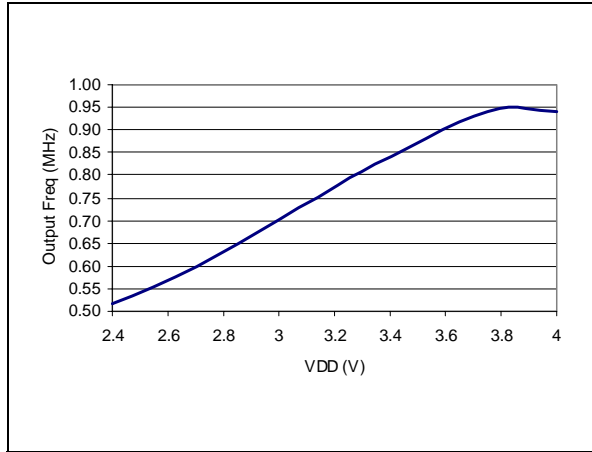


Figure 49. RC Osc Freq vs  $V_{DD}$   
(Calibrated with RCCR0: 5V @  $25^\circ\text{C}$ )

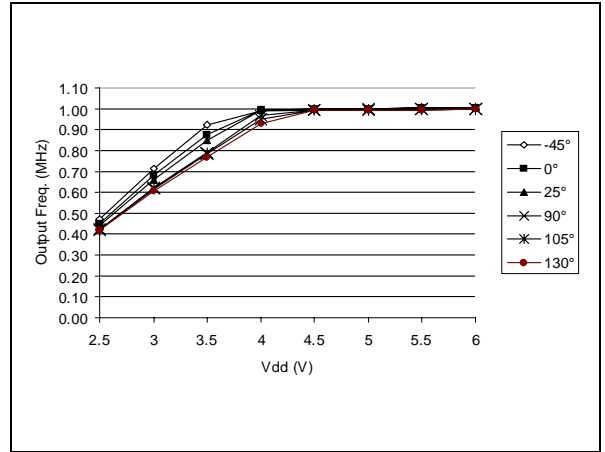


Figure 50. Typical RC oscillator Accuracy vs temperature @  $V_{DD}=5\text{V}$   
(Calibrated with RCCR0: 5V @  $25^\circ\text{C}$ )

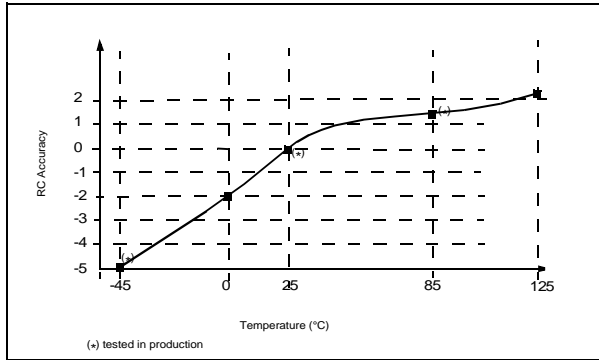
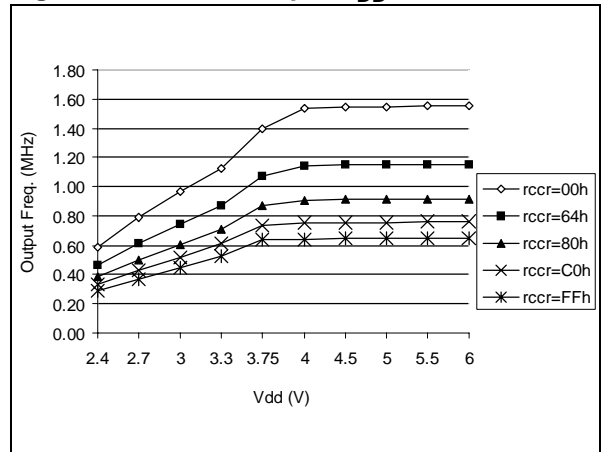


Figure 51. RC Osc Freq vs  $V_{DD}$  and RCCR Value



OPERATING CONDITIONS (Cont'd)

Figure 52. PLL  $\Delta f_{CPU}/f_{CPU}$  versus time

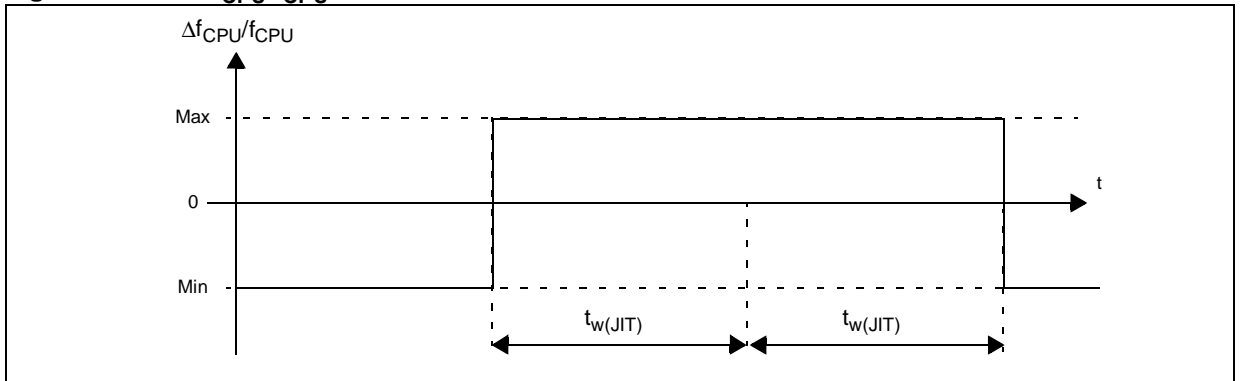
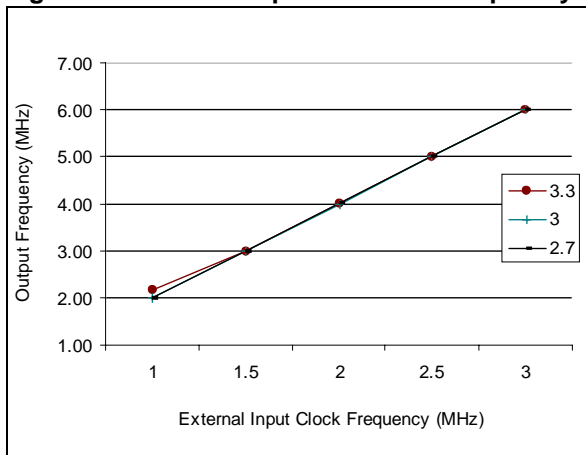
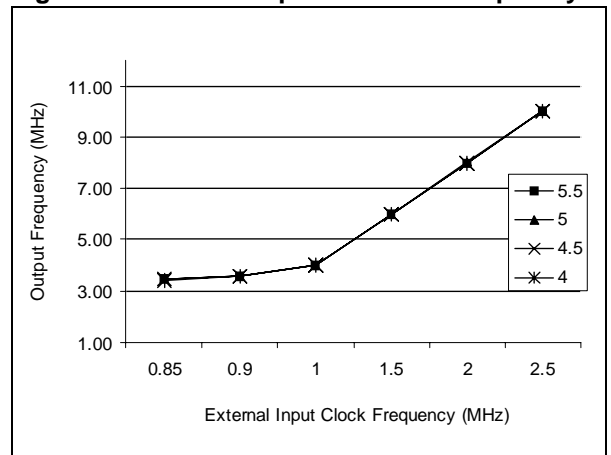


Figure 53. PLLx4 Output vs CLKIN frequency



Note:  $f_{OSC} = f_{CLKIN}/2 * PLL4$

Figure 54. PLLx8 Output vs CLKIN frequency



Note:  $f_{OSC} = f_{CLKIN}/2 * PLL8$

13.4 SUPPLY CURRENT CHARACTERISTICS

The following current consumption specified for the ST7 functional operating modes over temperature range does not take into account the clock source current consumption. To get the total de-

vice consumption, the two current values must be added (except for HALT mode for which the clock is stopped).

13.4.1 Supply Current

T<sub>A</sub> = -40 to +125°C unless otherwise specified

Symbol	Parameter	Conditions		Typ	Max	Unit
I <sub>DD</sub>	Supply current in RUN mode	V <sub>DD</sub> =5.5V	f <sub>CPU</sub> =8MHz <sup>1)</sup>	4.50	7.00	mA
	Supply current in WAIT mode		f <sub>CPU</sub> =8MHz <sup>2)</sup>	1.75	2.70	
	Supply current in SLOW mode		f <sub>CPU</sub> =500kHz <sup>3)</sup>	0.75	1.13	
	Supply current in SLOW WAIT mode		f <sub>CPU</sub> =500kHz <sup>4)</sup>	0.65	1	
	Supply current in HALT mode		-40°C ≤ T <sub>A</sub> ≤ +85°C	0.50	10	µA
	T <sub>A</sub> = +125°C	5	100			

Notes:

1. CPU running with memory access, all I/O pins in input mode with a static value at V<sub>DD</sub> or V<sub>SS</sub> (no load), all peripherals in reset state; clock input (CLKIN) driven by external square wave, LVD disabled.
2. All I/O pins in input mode with a static value at V<sub>DD</sub> or V<sub>SS</sub> (no load), all peripherals in reset state; clock input (CLKIN) driven by external square wave, LVD disabled.
3. SLOW mode selected with f<sub>CPU</sub> based on f<sub>OSC</sub> divided by 32. All I/O pins in input mode with a static value at V<sub>DD</sub> or V<sub>SS</sub> (no load), all peripherals in reset state; clock input (CLKIN) driven by external square wave, LVD disabled.
4. SLOW-WAIT mode selected with f<sub>CPU</sub> based on f<sub>OSC</sub> divided by 32. All I/O pins in input mode with a static value at V<sub>DD</sub> or V<sub>SS</sub> (no load), all peripherals in reset state; clock input (CLKIN) driven by external square wave, LVD disabled.

Figure 55. Typical I<sub>DD</sub> in RUN vs. f<sub>CPU</sub>

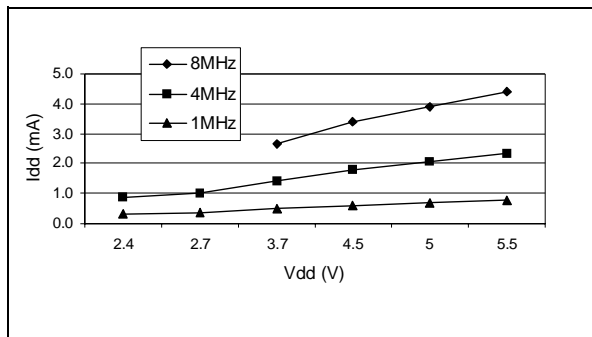


Figure 56. Typical I<sub>DD</sub> in SLOW vs. f<sub>CPU</sub>

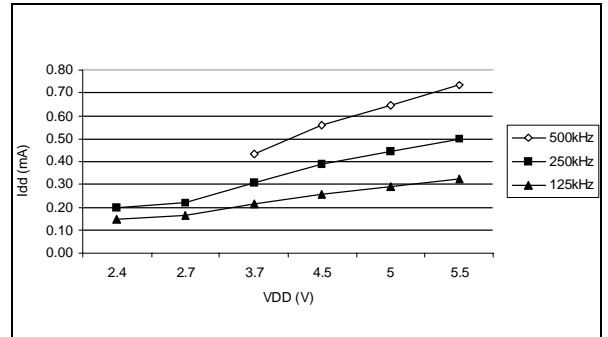


Figure 57. Typical I<sub>DD</sub> in WAIT vs. f<sub>CPU</sub>

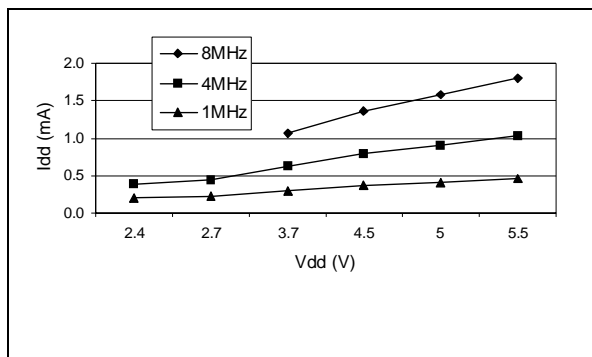
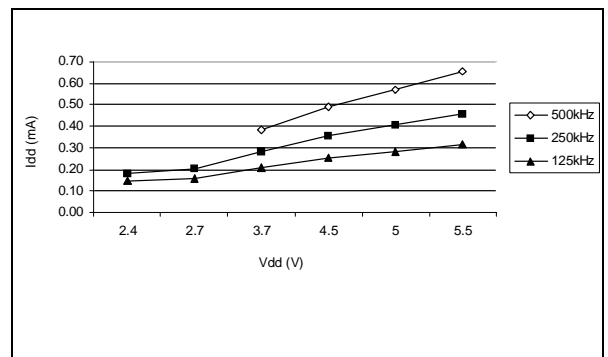
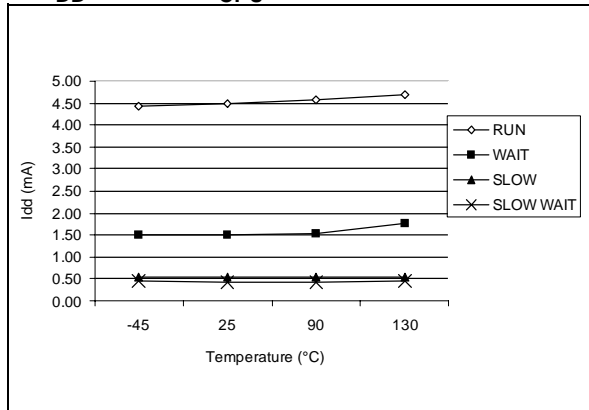


Figure 58. Typical I<sub>DD</sub> in SLOW-WAIT vs. f<sub>CPU</sub>



## SUPPLY CURRENT CHARACTERISTICS (Cont'd)

Figure 59. Typical  $I_{DD}$  vs. Temperature  
at  $V_{DD} = 5V$  and  $f_{CPU} = 8MHz$



## 13.4.2 On-chip peripherals

Symbol	Parameter	Conditions		Typ	Unit
$I_{DD(AT)}$	12-bit Auto-Reload Timer supply current <sup>1)</sup>	$f_{CPU}=4MHz$	$V_{DD}=3.0V$	50	$\mu A$
		$f_{CPU}=8MHz$	$V_{DD}=5.0V$	150	
$I_{DD(SPI)}$	SPI supply current <sup>2)</sup>	$f_{CPU}=4MHz$	$V_{DD}=3.0V$	50	
		$f_{CPU}=8MHz$	$V_{DD}=5.0V$	300	
$I_{DD(ADC)}$	ADC supply current when converting <sup>3)</sup>	$f_{ADC}=4MHz$	$V_{DD}=3.0V$	780	
			$V_{DD}=5.0V$	1100	

1. Data based on a differential  $I_{DD}$  measurement between reset configuration (timer stopped) and a timer running in PWM mode at  $f_{cpu}=8MHz$ .

2. Data based on a differential  $I_{DD}$  measurement between reset configuration and a permanent SPI master communication (data sent equal to 55h).

3. Data based on a differential  $I_{DD}$  measurement between reset configuration and continuous A/D conversions with amplifier off.

## 13.5 CLOCK AND TIMING CHARACTERISTICS

Subject to general operating conditions for  $V_{DD}$ ,  $f_{OSC}$ , and  $T_A$ .

### 13.5.1 General Timings

Symbol	Parameter <sup>1</sup>	Conditions	Min	Typ <sup>2)</sup>	Max	Unit
$t_{C(INST)}$	Instruction cycle time	$f_{CPU}=8MHz$	2	3	12	$t_{CPU}$
			250	375	1500	ns
$t_{V(IT)}$	Interrupt reaction time <sup>3)</sup> $t_{V(IT)} = \Delta t_{C(INST)} + 10$	$f_{CPU}=8MHz$	10		22	$t_{CPU}$
			1.25		2.75	$\mu s$

#### Notes:

1. Guaranteed by Design. Not tested in production.
2. Data based on typical application software.
3. Time measured between interrupt event and interrupt vector fetch.  $\Delta t_{C(INST)}$  is the number of  $t_{CPU}$  cycles needed to finish the current instruction execution.



### 13.6 MEMORY CHARACTERISTICS

$T_A = -40^{\circ}\text{C}$  to  $125^{\circ}\text{C}$ , unless otherwise specified

#### 13.6.1 RAM and Hardware Registers

Symbol	Parameter	Conditions	Min	Typ	Max	Unit
$V_{RM}$	Data retention mode <sup>1)</sup>	HALT mode (or RESET)	1.6			V

#### 13.6.2 FLASH Program Memory

Symbol	Parameter	Conditions	Min	Typ	Max	Unit
$V_{DD}$	Operating voltage for Flash write/erase		2.4		5.5	V
$t_{prog}$	Programming time for 1~32 bytes <sup>2)</sup>	$T_A = -40$ to $+85^{\circ}\text{C}$		5	10	ms
	Programming time for 1.5 kBytes	$T_A = +25^{\circ}\text{C}$		0.24	0.48	s
$t_{RET}$	Data retention <sup>4)</sup>	$T_A = +55^{\circ}\text{C}$ <sup>3)</sup>	20			years
$N_{RW}$	Write erase cycles	$T_A = +25^{\circ}\text{C}$	10K <sup>7)</sup>			cycles
$I_{DD}$	Supply current	Read / Write / Erase modes $f_{CPU} = 8\text{MHz}$ , $V_{DD} = 5.5\text{V}$			2.6 <sup>6)</sup>	mA
		No Read/No Write Mode			100	$\mu\text{A}$
		Power down mode / HALT		0	0.1	$\mu\text{A}$

#### 13.6.3 EEPROM Data Memory

Symbol	Parameter	Conditions	Min	Typ	Max	Unit
$t_{prog}$	Programming time for 1~32 bytes	$T_A = -40$ to $+85^{\circ}\text{C}$		5	10	ms
$t_{ret}$	Data retention <sup>4)</sup>	$T_A = +55^{\circ}\text{C}$ <sup>3)</sup>	20			years
$N_{RW}$	Write erase cycles	$T_A = +25^{\circ}\text{C}$	300K <sup>7)</sup>			cycles

#### Notes:

1. Minimum  $V_{DD}$  supply voltage without losing data stored in RAM (in HALT mode or under RESET) or in hardware registers (only in HALT mode). Guaranteed by construction, not tested in production.
2. Up to 32 bytes can be programmed at a time.
3. The data retention time increases when the  $T_A$  decreases.
4. Data based on reliability test results and monitored in production.
5. Data based on characterization results, not tested in production.
6. Guaranteed by Design. Not tested in production.
7. Design target value pending full product characterization.

13.7 EMC CHARACTERISTICS

Susceptibility tests are performed on a sample basis during product characterization.

13.7.1 Functional EMS

(Electro Magnetic Susceptibility)

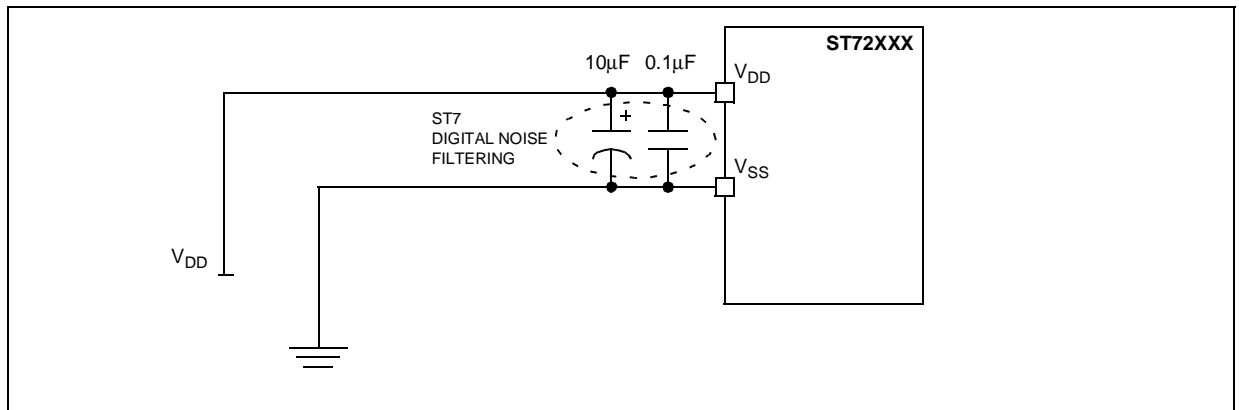
Based on a simple running application on the product (toggling 2 LEDs through I/O ports), the product is stressed by two electro magnetic events until a failure occurs (indicated by the LEDs).

- **ESD:** Electro-Static Discharge (positive and negative) is applied on all pins of the device until a functional disturbance occurs. This test conforms with the IEC 1000-4-2 standard.
- **FTB:** A Burst of Fast Transient voltage (positive and negative) is applied to  $V_{DD}$  and  $V_{SS}$  through a 100pF capacitor, until a functional disturbance occurs. This test conforms with the IEC 1000-4-4 standard.

A device reset allows normal operations to be resumed.

Symbol	Parameter	Conditions	Neg <sup>1)</sup>	Pos <sup>1)</sup>	Unit
$V_{FESD}$	Voltage limits to be applied on any I/O pin to induce a functional disturbance	$V_{DD}=5V, T_A=+25^{\circ}C, f_{OSC}=8MHz$ conforms to IEC 1000-4-2	-0.7	>1.5	kV
$V_{FFTB}$	Fast transient voltage burst limits to be applied through 100pF on $V_{DD}$ and $V_{DD}$ pins to induce a functional disturbance	$V_{DD}=5V, T_A=+25^{\circ}C, f_{OSC}=8MHz$ conforms to IEC 1000-4-4	-1.2	1.2	

Figure 60. EMC Recommended power supply connection <sup>2)</sup>



Notes:

1. Data based on characterization results, not tested in production.
2. The suggested 10µF and 0.1µF decoupling capacitors on the power supply lines are proposed as a good price vs. EMC performance tradeoff. They have to be put as close as possible to the device power supply pins. Other EMC recommendations are given in other sections (I/Os, RESET, OSCx pin characteristics).

**EMC CHARACTERISTICS (Cont'd)****13.7.2 Absolute Electrical Sensitivity**

Based on three different tests (ESD, LU and DLU) using specific measurement methods, the product is stressed in order to determine its performance in terms of electrical sensitivity. For more details, refer to the AN1181 ST7 application note.

**13.7.2.1 Electro-Static Discharge (ESD)**

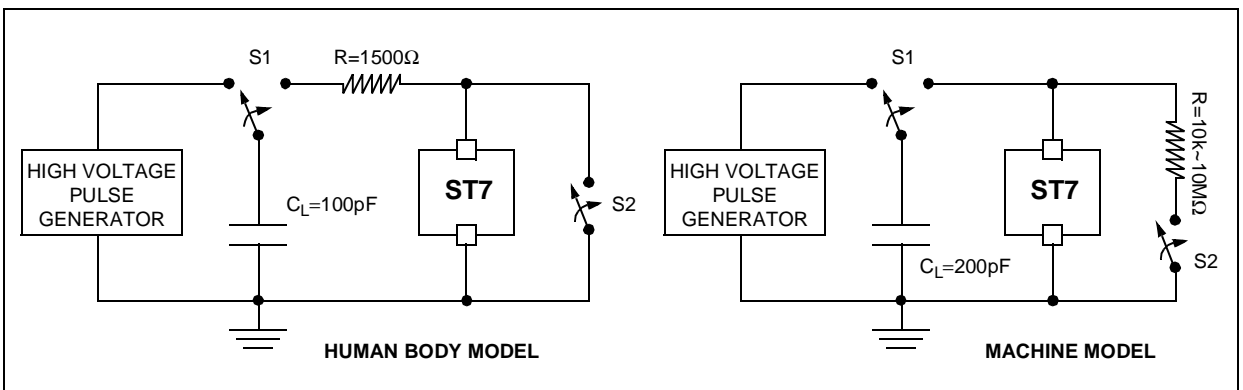
Electro-Static Discharges (3 positive then 3 negative pulses separated by 1 second) are applied to the pins of each sample according to each pin combination. The sample size depends of the number of supply pins of the device (3 parts\*(n+1) supply pin). Two models are usually simulated: Human Body Model and Machine Model. This test conforms to the JESD22-A114A/A115A standard. See [Figure 61](#) and the following test sequences.

**Human Body Model Test Sequence**

- $C_L$  is loaded through S1 by the HV pulse generator.
- S1 switches position from generator to R.
- A discharge from  $C_L$  through R (body resistance) to the ST7 occurs.
- S2 must be closed 10 to 100ms after the pulse delivery period to ensure the ST7 is not left in charge state. S2 must be opened at least 10ms prior to the delivery of the next pulse.

**Absolute Maximum Ratings**

Symbol	Ratings	Conditions	Maximum value <sup>1)</sup>	Unit
$V_{ESD(HBM)}$	Electro-static discharge voltage (Human Body Model)	$T_A=+25^\circ\text{C}$	4000	V
$V_{ESD(MM)}$	Electro-static discharge voltage (Machine Model)	$T_A=+25^\circ\text{C}$	TBD	

**Figure 61. Typical Equivalent ESD Circuits****Notes:**

1. Data based on characterization results, not tested in production.

**Machine Model Test Sequence**

- $C_L$  is loaded through S1 by the HV pulse generator.
- S1 switches position from generator to ST7.
- A discharge from  $C_L$  to the ST7 occurs.
- S2 must be closed 10 to 100ms after the pulse delivery period to ensure the ST7 is not left in charge state. S2 must be opened at least 10ms prior to the delivery of the next pulse.
- R (machine resistance), in series with S2, ensures a slow discharge of the ST7.

EMC CHARACTERISTICS (Cont'd)

13.7.2.2 Static and Dynamic Latch-Up

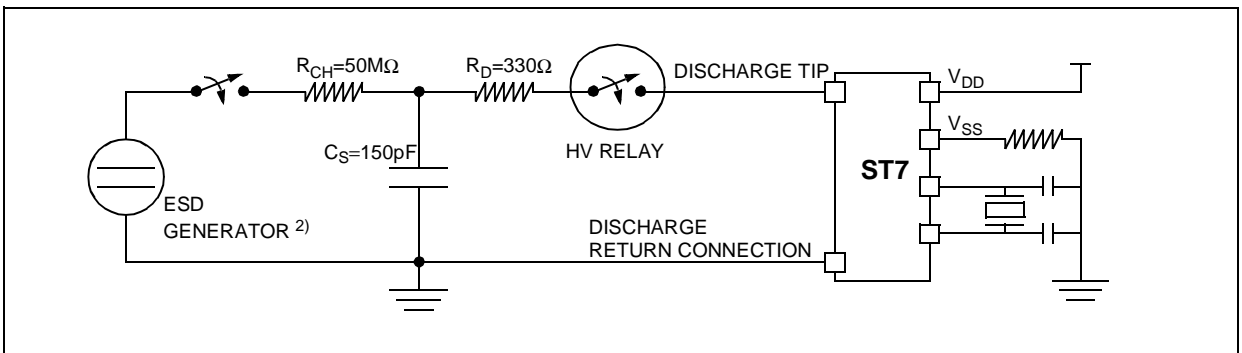
■ **LU:** 3 complementary static tests are required on 10 parts to assess the latch-up performance. A supply overvoltage (applied to each power supply pin), a current injection (applied to each input, output and configurable I/O pin) and a power supply switch sequence are performed on each sample. This test conforms to the EIA/JESD 78 IC latch-up standard. For more details, refer to the AN1181 ST7 application note.

■ **DLU:** Electro-Static Discharges (one positive then one negative test) are applied to each pin of 3 samples when the micro is running to assess the latch-up performance in dynamic mode. Power supplies are set to the typical values, the oscillator is connected as near as possible to the pins of the micro and the component is put in reset mode. This test conforms to the IEC1000-4-2 and SAEJ1752/3 standards and is described in Figure 62. For more details, refer to the AN1181 ST7 application note.

Electrical Sensitivities

Symbol	Parameter	Conditions	Class <sup>1)</sup>
LU	Static latch-up class	T <sub>A</sub> =+25°C T <sub>A</sub> =+85°C	A A
DLU	Dynamic latch-up class	V <sub>DD</sub> =5.5V, f <sub>OSC</sub> =4MHz, T <sub>A</sub> =+25°C	A

Figure 62. Simplified Diagram of the ESD Generator for DLU



Notes:

1. Class description: A Class is an STMicroelectronics internal specification. All its limits are higher than the JEDEC specifications, that means when a device belongs to Class A it exceeds the JEDEC standard. B Class strictly covers all the JEDEC criteria (international standard).
2. Schaffner NSG435 with a pointed test finger.

## EMC CHARACTERISTICS (Cont'd)

### 13.7.3 ESD Pin Protection Strategy

To protect an integrated circuit against Electro-Static Discharge the stress must be controlled to prevent degradation or destruction of the circuit elements. The stress generally affects the circuit elements which are connected to the pads but can also affect the internal devices when the supply pads receive the stress. The elements to be protected must not receive excessive current, voltage or heating within their structure.

An ESD network combines the different input and output ESD protections. This network works, by allowing safe discharge paths for the pins subjected to ESD stress. Two critical ESD stress cases are presented in Figure 63 and Figure 64 for standard pins.

### Standard Pin Protection

To protect the output structure the following elements are added:

- A diode to  $V_{DD}$  (3a) and a diode from  $V_{SS}$  (3b)
- A protection device between  $V_{DD}$  and  $V_{SS}$  (4)

To protect the input structure the following elements are added:

- A resistor in series with the pad (1)
- A diode to  $V_{DD}$  (2a) and a diode from  $V_{SS}$  (2b)
- A protection device between  $V_{DD}$  and  $V_{SS}$  (4)

Figure 63. Positive Stress on a Standard Pad vs.  $V_{SS}$

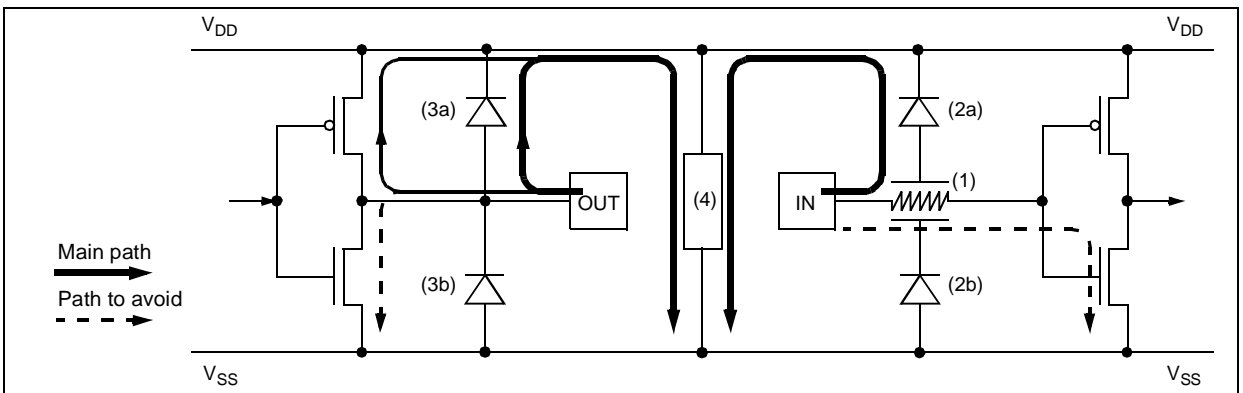
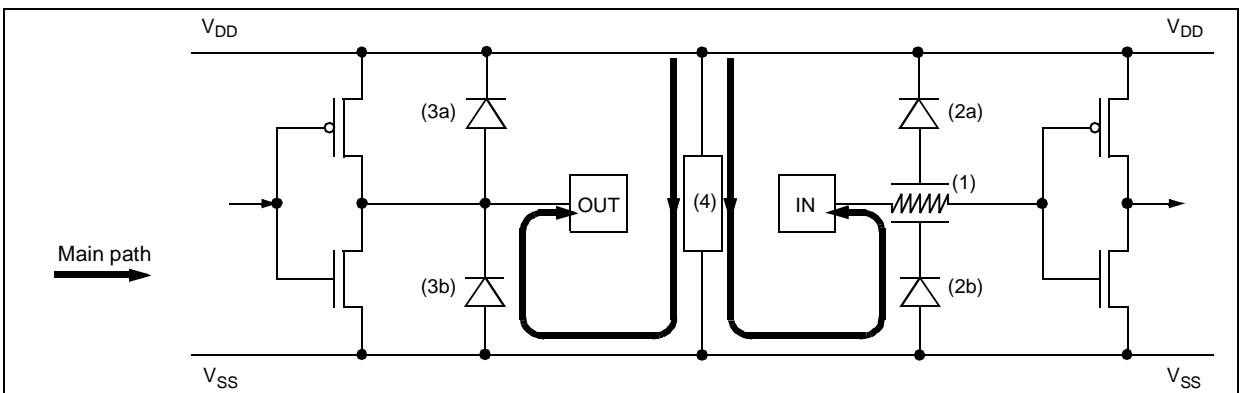


Figure 64. Negative Stress on a Standard Pad vs.  $V_{DD}$



13.8 I/O PORT PIN CHARACTERISTICS

13.8.1 General Characteristics

Subject to general operating conditions for  $V_{DD}$ ,  $f_{OSC}$ , and  $T_A$  unless otherwise specified.

Symbol	Parameter	Conditions	Min	Typ	Max	Unit
$V_{IL}$	Input low level voltage				$0.3 \times V_{DD}$	V
$V_{IH}$	Input high level voltage		$0.7 \times V_{DD}$			
$V_{hys}$	Schmitt trigger voltage hysteresis <sup>1)</sup>			400		mV
$I_L$	Input leakage current	$V_{SS} \leq V_{IN} \leq V_{DD}$			$\pm 1$	$\mu A$
$I_S$	Static current consumption <sup>2)</sup>	Floating input mode			200	
$R_{PU}$	Weak pull-up equivalent resistor <sup>3)</sup>	$V_{IN} = V_{SS}$ $V_{DD} = 5V$ $V_{DD} = 3V$	50	120 160	250	k $\Omega$
$C_{IO}$	I/O pin capacitance			5		pF
$t_{f(I/O)out}$	Output high to low level fall time <sup>1)</sup>	$C_L = 50pF$ Between 10% and 90%		25		ns
$t_{r(I/O)out}$	Output low to high level rise time <sup>1)</sup>			25		
$t_{w(IT)in}$	External interrupt pulse time <sup>4)</sup>		1			$t_{CPU}$

Notes:

1. Data based on characterization results, not tested in production.
2. Configuration not recommended, all unused pins must be kept at a fixed voltage: using the output mode of the I/O for example or an external pull-up or pull-down resistor (see Figure 65). Data based on design simulation and/or technology characteristics, not tested in production.
3. The  $R_{PU}$  pull-up equivalent resistor is based on a resistive transistor (corresponding  $I_{PU}$  current characteristics described in Figure 66).
4. To generate an external interrupt, a minimum pulse width has to be applied on an I/O port pin configured as an external interrupt source.

Figure 65. Two typical Applications with unused I/O Pin

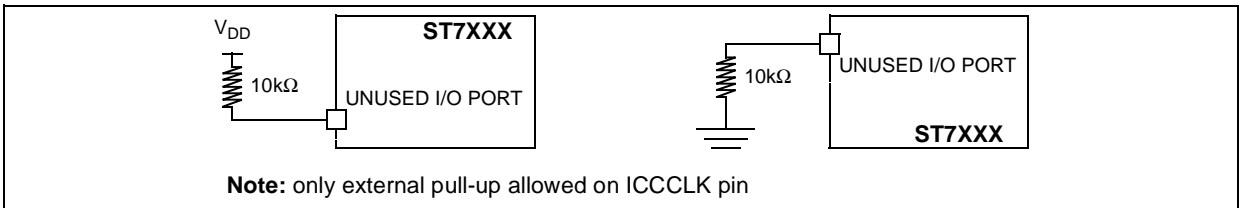
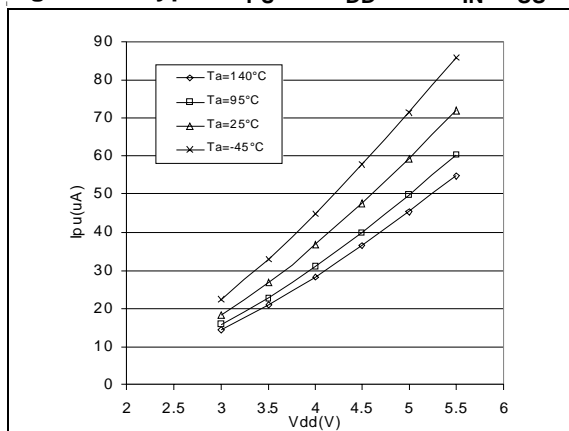


Figure 66. Typical  $I_{PU}$  vs.  $V_{DD}$  with  $V_{IN} = V_{SS}$



I/O PORT PIN CHARACTERISTICS (Cont'd)

13.8.2 Output Driving Current

Subject to general operating conditions for  $V_{DD}$ ,  $f_{CPU}$ , and  $T_A$  unless otherwise specified.

Symbol	Parameter	Conditions	Min	Max	Unit
$V_{OL}^{1)}$	Output low level voltage for a standard I/O pin when 8 pins are sunk at same time (see Figure 70)	$I_{IO}=+5mA$ $T_A \leq 85^\circ C$		1.0	V
		$T_A \geq 85^\circ C$		1.2	
	Output low level voltage for a high sink I/O pin when 4 pins are sunk at same time (see Figure 72)	$I_{IO}=+2mA$ $T_A \leq 85^\circ C$		0.4	
		$T_A \geq 85^\circ C$		0.5	
$V_{OH}^{2)}$	Output high level voltage for an I/O pin when 4 pins are sourced at same time (see Figure 78)	$I_{IO}=+20mA, T_A \leq 85^\circ C$		1.3	
		$T_A \geq 85^\circ C$		1.5	
$V_{OH}^{2)}$	Output high level voltage for an I/O pin when 4 pins are sourced at same time (see Figure 78)	$I_{IO}=+8mA$ $T_A \leq 85^\circ C$		0.75	
		$T_A \geq 85^\circ C$		0.85	
$V_{OH}^{2)}$	Output high level voltage for an I/O pin when 4 pins are sourced at same time (see Figure 78)	$I_{IO}=-5mA, T_A \leq 85^\circ C$	$V_{DD}-1.5$		
		$T_A \geq 85^\circ C$	$V_{DD}-1.6$		
$V_{OH}^{2)}$	Output high level voltage for an I/O pin when 4 pins are sourced at same time (see Figure 78)	$I_{IO}=-2mA$ $T_A \leq 85^\circ C$	$V_{DD}-0.8$		
		$T_A \geq 85^\circ C$	$V_{DD}-1.0$		
$V_{OL}^{1)3)}$	Output low level voltage for a standard I/O pin when 8 pins are sunk at same time (see Figure 69)	$V_{DD}=5V$	$I_{IO}=+2mA$ $T_A \leq 85^\circ C$	0.5	
				$T_A \geq 85^\circ C$	0.6
Output low level voltage for a high sink I/O pin when 4 pins are sunk at same time	$I_{IO}=+8mA$ $T_A \leq 85^\circ C$		0.5		
	$T_A \geq 85^\circ C$		0.6		
$V_{OH}^{2)3)}$	Output high level voltage for an I/O pin when 4 pins are sourced at same time		$V_{DD}=3.3V$	$I_{IO}=-2mA$ $T_A \leq 85^\circ C$	$V_{DD}-0.8$
					$T_A \geq 85^\circ C$
$V_{OL}^{1)3)}$	Output low level voltage for a standard I/O pin when 8 pins are sunk at same time (see Figure 68)	$V_{DD}=2.7V$	$I_{IO}=+2mA$ $T_A \leq 85^\circ C$	0.6	
				$T_A \geq 85^\circ C$	0.7
Output low level voltage for a high sink I/O pin when 4 pins are sunk at same time	$I_{IO}=+8mA$ $T_A \leq 85^\circ C$		0.6		
	$T_A \geq 85^\circ C$		0.7		
$V_{OH}^{2)3)}$	Output high level voltage for an I/O pin when 4 pins are sourced at same time (see Figure 75)		$I_{IO}=-2mA$ $T_A \leq 85^\circ C$	$V_{DD}-0.9$	
				$T_A \geq 85^\circ C$	$V_{DD}-1.0$

Notes:

1. The  $I_{IO}$  current sunk must always respect the absolute maximum rating specified in Section 13.2.2 and the sum of  $I_{IO}$  (I/O ports and control pins) must not exceed  $I_{VSS}$ .
2. The  $I_{IO}$  current sourced must always respect the absolute maximum rating specified in Section 13.2.2 and the sum of  $I_{IO}$  (I/O ports and control pins) must not exceed  $I_{VDD}$ . True open drain I/O pins does not have  $V_{OH}$ .
3. Not tested in production, based on characterization results.

Figure 67. Typical  $V_{OL}$  at  $V_{DD}=2.4V$  (standard)

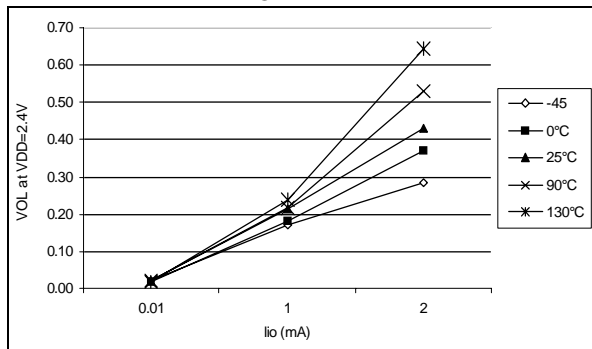
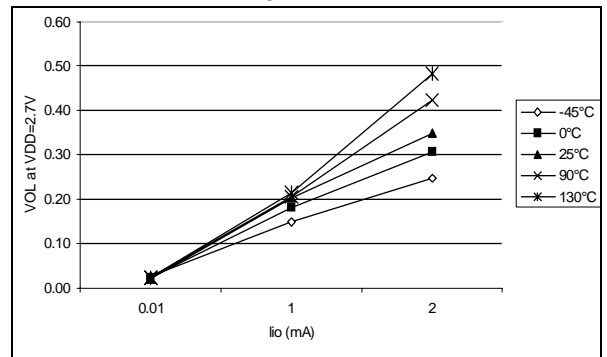


Figure 68. Typical  $V_{OL}$  at  $V_{DD}=2.7V$  (standard)



I/O PORT PIN CHARACTERISTICS (Cont'd)

Figure 69. Typical  $V_{OL}$  at  $V_{DD}=3.3V$  (standard)

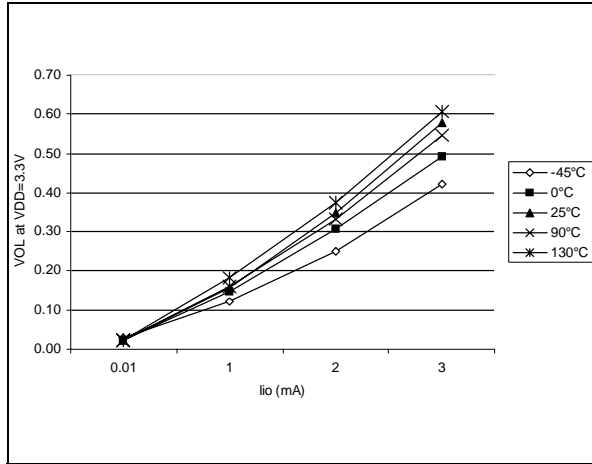


Figure 70. Typical  $V_{OL}$  at  $V_{DD}=5V$  (standard)

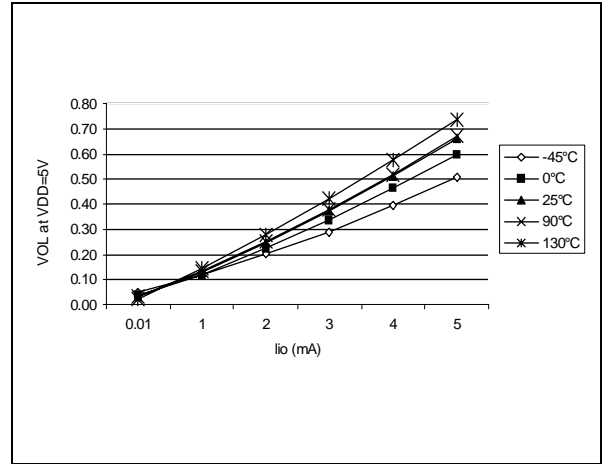


Figure 71. Typical  $V_{OL}$  at  $V_{DD}=2.4V$  (high-sink)

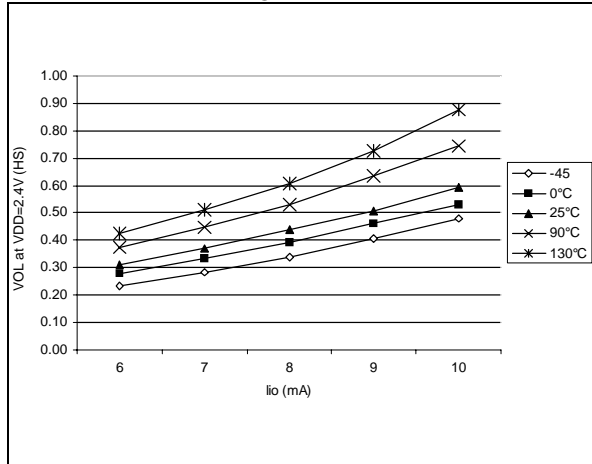


Figure 73. Typical  $V_{OL}$  at  $V_{DD}=3V$  (high-sink)

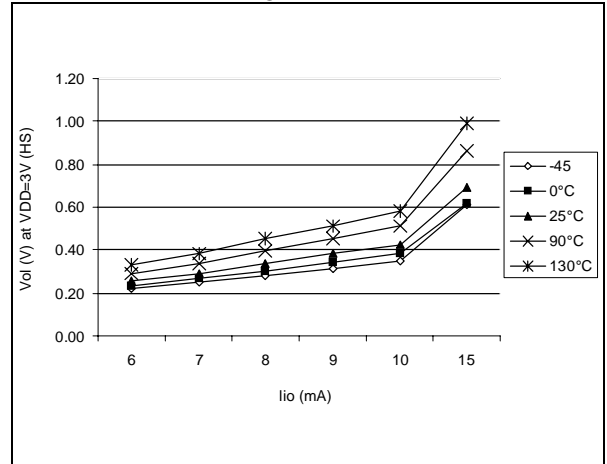
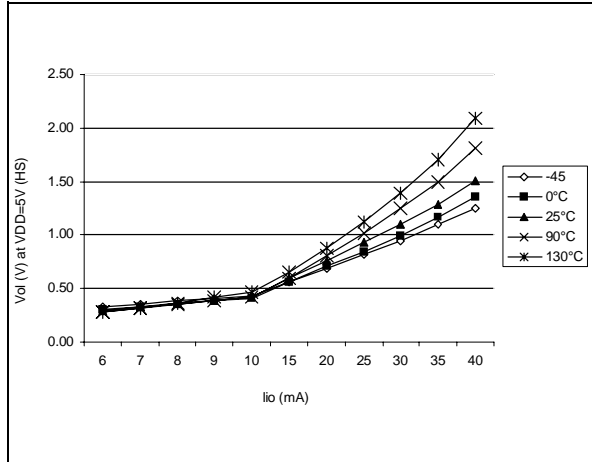


Figure 72. Typical  $V_{OL}$  at  $V_{DD}=5V$  (high-sink)





I/O PORT PIN CHARACTERISTICS (Cont'd)

Figure 74. Typical  $V_{DD}-V_{OH}$  at  $V_{DD}=2.4V$

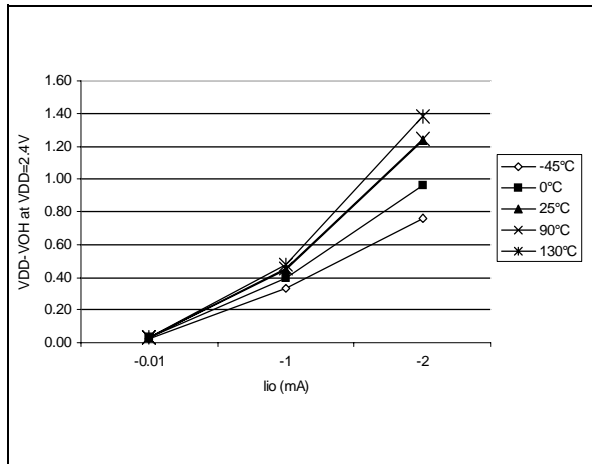


Figure 76. Typical  $V_{DD}-V_{OH}$  at  $V_{DD}=3V$

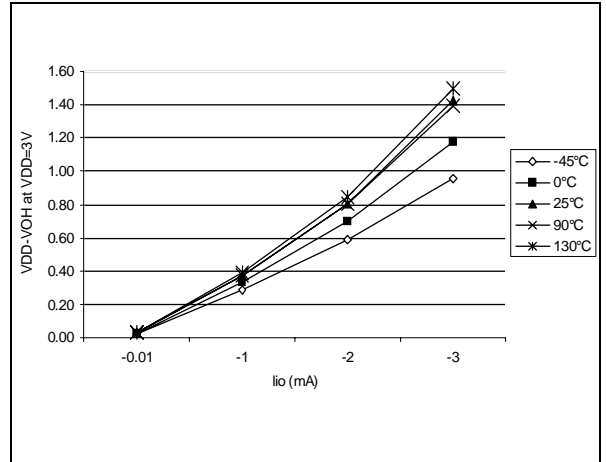


Figure 75. Typical  $V_{DD}-V_{OH}$  at  $V_{DD}=2.7V$

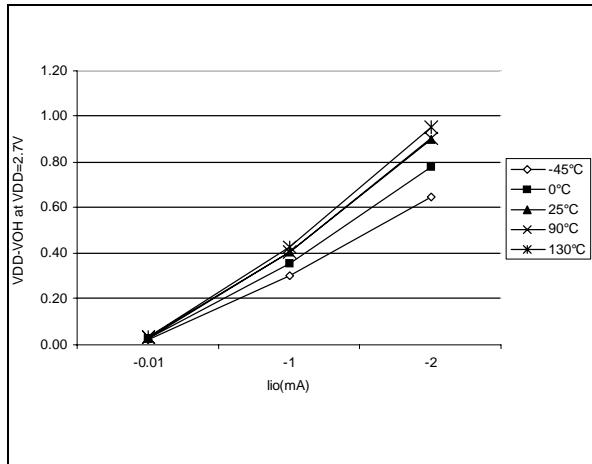


Figure 77. Typical  $V_{DD}-V_{OH}$  at  $V_{DD}=4V$

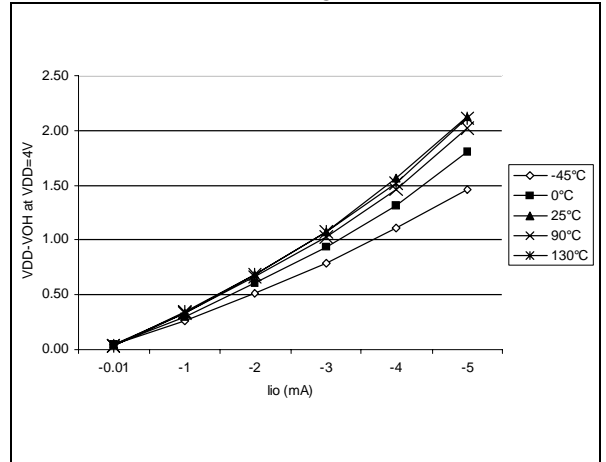
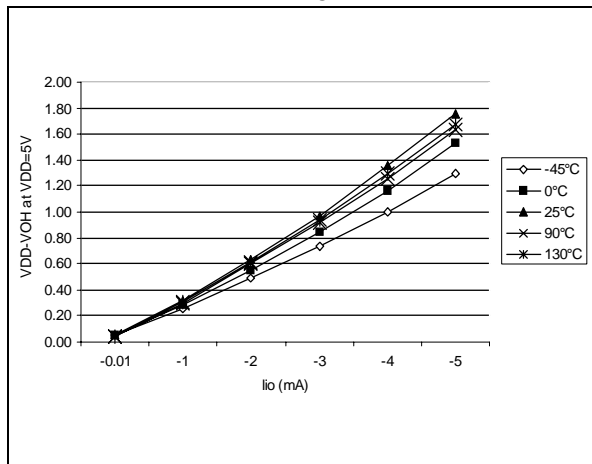


Figure 78. Typical  $V_{DD}-V_{OH}$  at  $V_{DD}=5V$



I/O PORT PIN CHARACTERISTICS (Cont'd)

Figure 79. Typical  $V_{OL}$  vs.  $V_{DD}$  (standard I/Os)

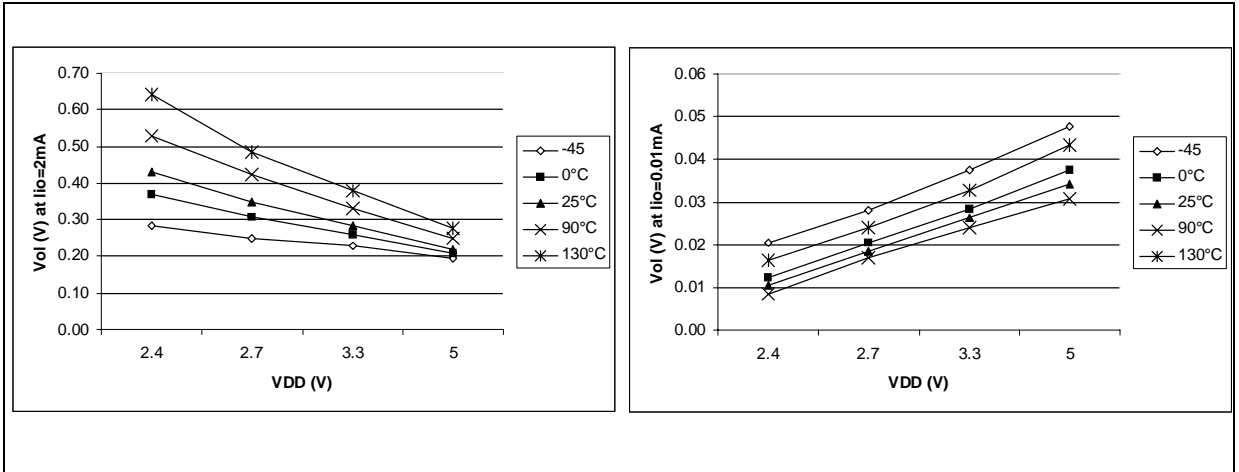


Figure 80. Typical  $V_{OL}$  vs.  $V_{DD}$  (high-sink I/Os)

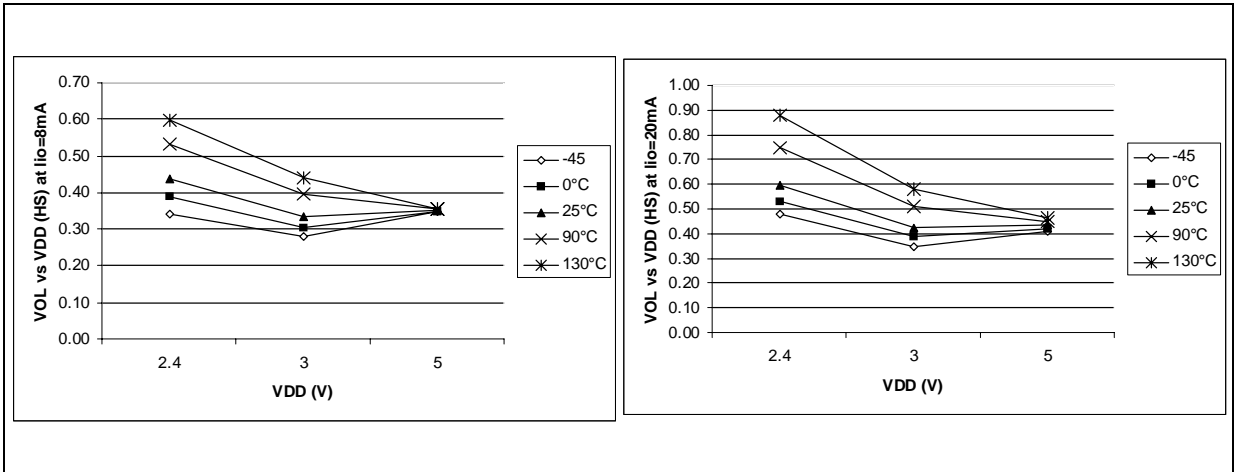
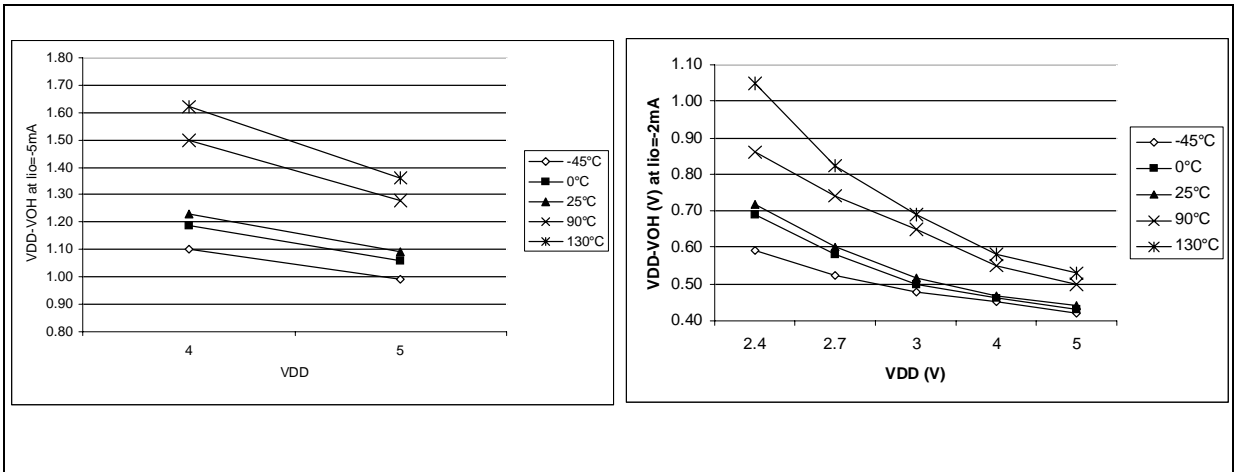


Figure 81. Typical  $V_{DD}-V_{OH}$  vs.  $V_{DD}$



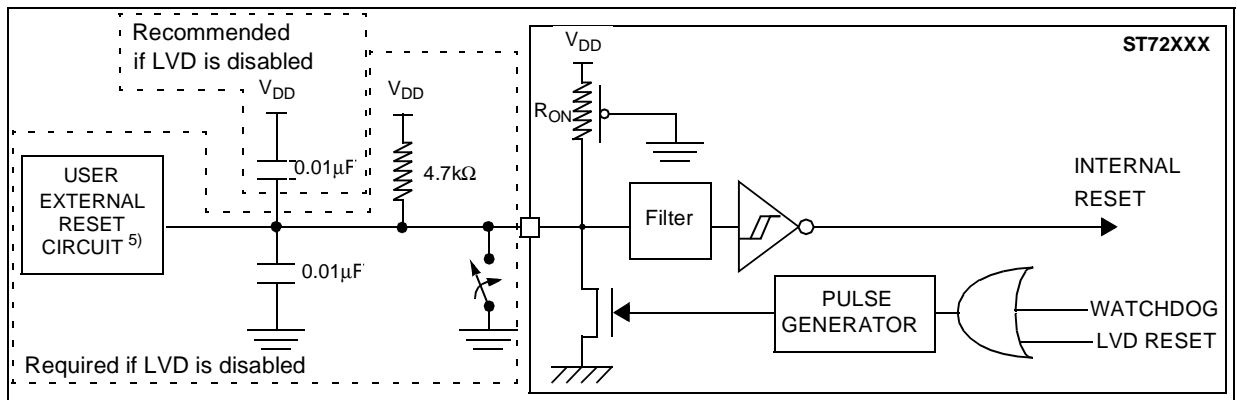
## 13.9 CONTROL PIN CHARACTERISTICS

### 13.9.1 Asynchronous $\overline{\text{RESET}}$ Pin

$T_A = -40^\circ\text{C}$  to  $125^\circ\text{C}$ , unless otherwise specified

Symbol	Parameter	Conditions	Min	Typ	Max	Unit
$V_{IL}$	Input low level voltage				$0.3 \times V_{DD}$	V
$V_{IH}$	Input high level voltage		$0.7 \times V_{DD}$			V
$V_{hys}$	Schmitt trigger voltage hysteresis <sup>1)</sup>			1		V
$V_{OL}$	Output low level voltage <sup>2)</sup>	$V_{DD}=5\text{V}$ $I_{IO}=+5\text{mA}$ $T_A \leq 85^\circ\text{C}$ $T_A \geq 85^\circ\text{C}$		0.5	1.0 1.2	V
		$I_{IO}=+2\text{mA}$ $T_A \leq 85^\circ\text{C}$ $T_A \geq 85^\circ\text{C}$		0.2	0.4 0.5	
$R_{ON}$	Pull-up equivalent resistor <sup>3) 1)</sup>	$V_{DD}=5\text{V}$	20	40	80	k $\Omega$
		$V_{DD}=3\text{V}$		TBD		
$t_{w(\text{RSTL})\text{out}}$	Generated reset pulse duration	Internal reset sources		30		$\mu\text{s}$
$t_{h(\text{RSTL})\text{in}}$	External reset pulse hold time <sup>4)</sup>		20			$\mu\text{s}$
$t_{g(\text{RSTL})\text{in}}$	Filtered glitch duration <sup>5)</sup>			200		ns

Figure 82. Typical Application with  $\overline{\text{RESET}}$  pin <sup>6)7)8)</sup>



#### Notes:

1. Data based on characterization results, not tested in production.
2. The  $I_{IO}$  current sunk must always respect the absolute maximum rating specified in Section 13.2.2 and the sum of  $I_{IO}$  (I/O ports and control pins) must not exceed  $I_{VSS}$ .
3. The  $R_{ON}$  pull-up equivalent resistor is based on a resistive transistor. Specified for voltages on  $\overline{\text{RESET}}$  pin between  $V_{IL\text{max}}$  and  $V_{DD}$ .
4. To guarantee the reset of the device, a minimum pulse has to be applied to the  $\overline{\text{RESET}}$  pin. All short pulses applied on  $\overline{\text{RESET}}$  pin with a duration below  $t_{h(\text{RSTL})\text{in}}$  can be ignored.
5. The reset network protects the device against parasitic resets.
6. The output of the external reset circuit must have an open-drain output to drive the ST7 reset pad. Otherwise the device can be damaged when the ST7 generates an internal reset (LVD or watchdog).
7. Whatever the reset source is (internal or external), the user must ensure that the level on the  $\overline{\text{RESET}}$  pin can go below the  $V_{IL\text{max}}$  level specified in section 13.9.1 on page 99. Otherwise the reset will not be taken into account internally.
8. Because the reset circuit is designed to allow the internal RESET to be output in the  $\overline{\text{RESET}}$  pin, the user must ensure that the current sunk on the RESET pin (by an external pull-p for example) is less than the absolute maximum value specified for  $I_{INJ(\text{RESET})}$  in section 13.2.2 on page 79.

13.10 COMMUNICATION INTERFACE CHARACTERISTICS

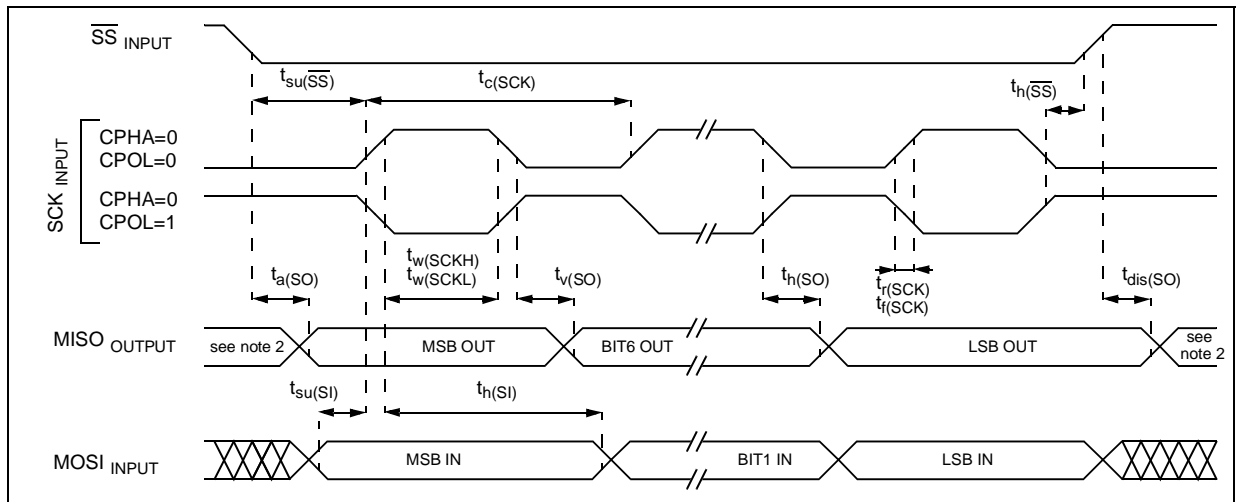
13.10.1 SPI - Serial Peripheral Interface

Subject to general operating conditions for  $V_{DD}$ ,  $f_{OSC}$ , and  $T_A$  unless otherwise specified.

Refer to I/O port characteristics for more details on the input/output alternate function characteristics ( $\overline{SS}$ , SCK, MOSI, MISO).

Symbol	Parameter	Conditions	Min	Max	Unit
$f_{SCK}$ $1/t_{c(SCK)}$	SPI clock frequency	Master $f_{CPU}=8MHz$	$f_{CPU}/128$ 0.0625	$f_{CPU}/42$	MHz
		Slave $f_{CPU}=8MHz$	0	$f_{CPU}/24$	
$t_{r(SCK)}$ $t_{f(SCK)}$	SPI clock rise and fall time		see I/O port pin description		
$t_{su}(\overline{SS})$	$\overline{SS}$ setup time	Slave	120		ns
$t_{h}(\overline{SS})$	$\overline{SS}$ hold time	Slave	120		
$t_w(SCKH)$ $t_w(SCKL)$	SCK high and low time	Master	100		
		Slave	90		
$t_{su}(MI)$ $t_{su}(SI)$	Data input setup time	Master	100		
		Slave	100		
$t_{h}(MI)$ $t_{h}(SI)$	Data input hold time	Master	100		
		Slave	100		
$t_a(SO)$	Data output access time	Slave	0	120	
$t_{dis}(SO)$	Data output disable time	Slave		240	
$t_v(SO)$	Data output valid time	Slave (after enable edge)		120	
$t_h(SO)$	Data output hold time		0		
$t_v(MO)$	Data output valid time	Master (before capture edge)	0.25		$t_{CPU}$
$t_h(MO)$	Data output hold time		0.25		

Figure 83. SPI Slave Timing Diagram with  $CPHA=0^3$



Notes:

1. Data based on design simulation and/or characterisation results, not tested in production.
2. When no communication is on-going the data output line of the SPI (MOSI in master mode, MISO in slave mode) has its alternate function capability released. In this case, the pin status depends on the I/O port configuration.
3. Measurement points are done at CMOS levels:  $0.3xV_{DD}$  and  $0.7xV_{DD}$ .

COMMUNICATION INTERFACE CHARACTERISTICS (Cont'd)

Figure 84. SPI Slave Timing Diagram with CPHA=1<sup>1)</sup>

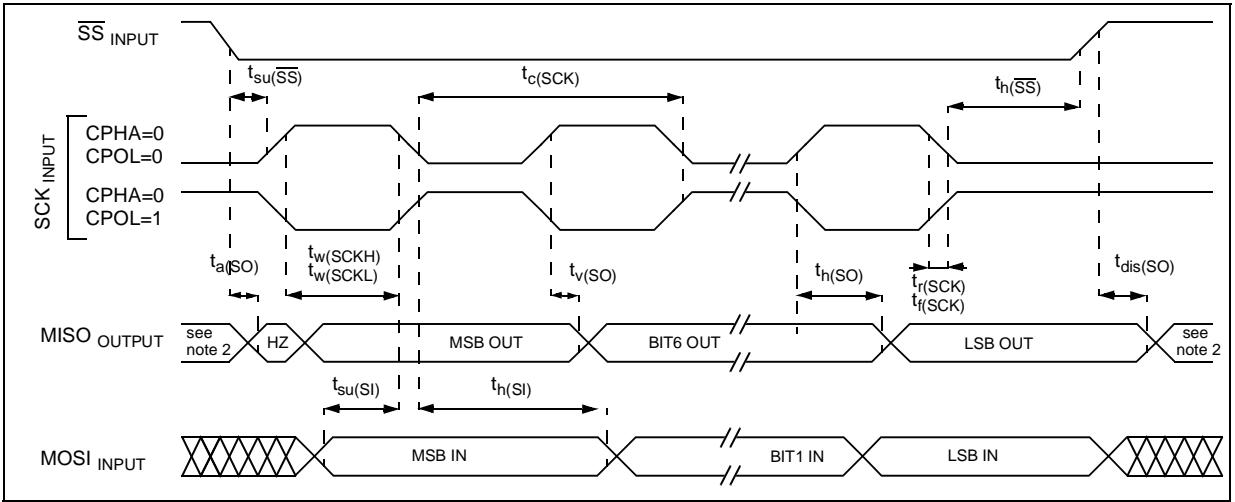
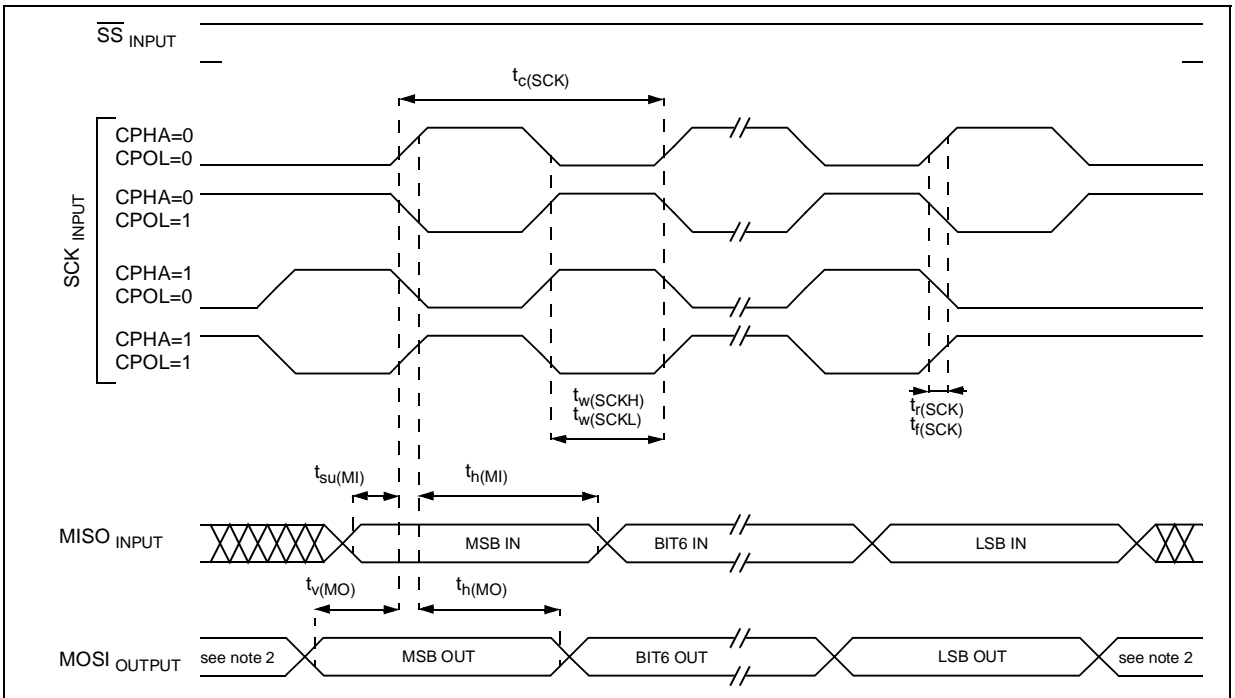


Figure 85. SPI Master Timing Diagram <sup>1)</sup>



Notes:

1. Measurement points are done at CMOS levels:  $0.3xV_{DD}$  and  $0.7xV_{DD}$ .
2. When no communication is on-going the data output line of the SPI (MOSI in master mode, MISO in slave mode) has its alternate function capability released. In this case, the pin status depends of the I/O port configuration.

13.11 8-BIT ADC CHARACTERISTICS

T<sub>A</sub> = -40°C to 125°C, unless otherwise specified

Symbol	Parameter	Conditions	Min	Typ	Max	Unit
f <sub>ADC</sub>	ADC clock frequency				4	MHz
V <sub>AIN</sub>	Conversion voltage range		V <sub>SS</sub>		V <sub>DD</sub>	V
R <sub>AIN</sub>	External input resistor				10 <sup>1)</sup>	kΩ
C <sub>ADC</sub>	Internal sample and hold capacitor	V <sub>DD</sub> =5V		3		pF
t <sub>STAB</sub>	Stabilization time after ADC enable	f <sub>CPU</sub> =8MHz, f <sub>ADC</sub> =4MHz	0 <sup>2)</sup>			μs
t <sub>CONV</sub>	Conversion time (t <sub>SAMPLE</sub> +t <sub>HOLD</sub> )		3			
t <sub>SAMPLE</sub>	Sample capacitor loading time		4			1/f <sub>ADC</sub>
t <sub>HOLD</sub>	Hold conversion time		8			

Figure 86. R<sub>AIN</sub> max. vs f<sub>ADC</sub> with C<sub>AIN</sub>=0pF<sup>3)</sup>

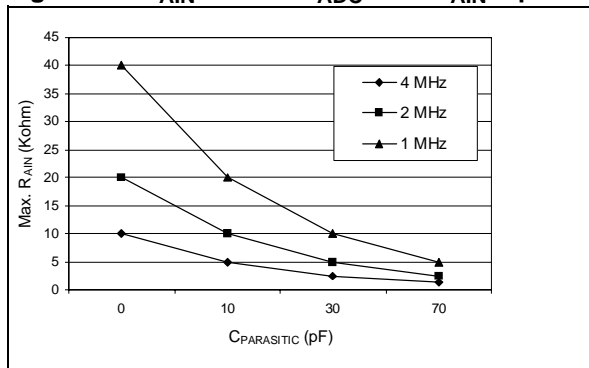


Figure 87. Recommended C<sub>AIN</sub>/R<sub>AIN</sub> values<sup>4)</sup>

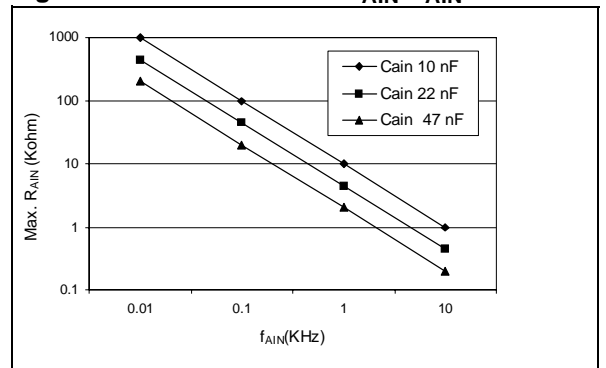
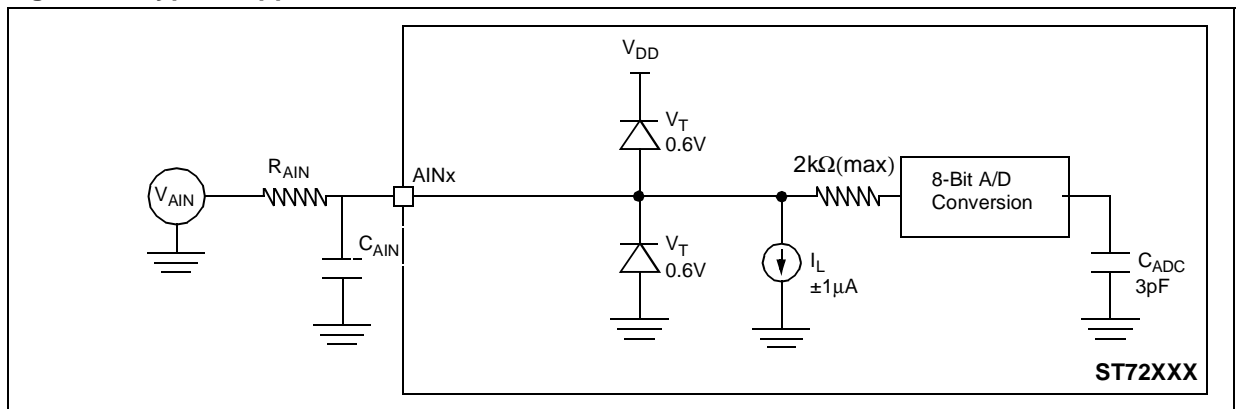


Figure 88. Typical Application with ADC



Notes:

1. Any added external serial resistor will downgrade the ADC accuracy (especially for resistance greater than 10kΩ). Data based on characterization results, not tested in production.
2. The stabilization time of the AD converter is masked by the first tLOAD. The first conversion after the enable is then always valid.
3. C<sub>PARASITIC</sub> represents the capacitance of the PCB (dependent on soldering and PCB layout quality) plus the pad capacitance (3pF). A high C<sub>PARASITIC</sub> value will downgrade conversion accuracy. To remedy this, f<sub>ADC</sub> should be reduced.
4. This graph shows that depending on the input signal variation (f<sub>AIN</sub>), C<sub>AIN</sub> can be increased for stabilization and to allow the use of a larger serial resistor (R<sub>AIN</sub>). It is valid for all f<sub>ADC</sub> frequencies ≤ 4MHz.

**ADC CHARACTERISTICS** (Cont'd)**13.11.0.1 General PCB Design Guidelines**

To obtain best results, some general design and layout rules should be followed when designing the application PCB to shield the noise-sensitive, analog physical interface from noise-generating CMOS logic signals.

- Properly place components and route the signal traces on the PCB to shield the analog inputs.

Analog signals paths should run over the analog ground plane and be as short as possible. Isolate analog signals from digital signals that may switch while the analog inputs are being sampled by the A/D converter. Do not toggle digital outputs on the same I/O port as the A/D input being converted.

**ADC Accuracy**

$T_A = -40^{\circ}\text{C}$  to  $85^{\circ}\text{C}$ , unless otherwise specified

Symbol	Parameter	Conditions	Typ	Max	Unit
$E_T$	Total unadjusted error <sup>2)</sup>	$f_{\text{CPU}}=4\text{MHz}$ , $f_{\text{ADC}}=2\text{MHz}$ , $V_{\text{DD}}=5.0\text{V}$	$\pm 1$		LSB
$E_O$	Offset error <sup>2)</sup>			-0.5 / +1	
$E_G$	Gain Error <sup>2)</sup>			$\pm 1$	
$E_D$	Differential linearity error <sup>2)</sup>			$\pm 1$ <sup>1)</sup>	
$E_L$	Integral linearity error <sup>2)</sup>			$\pm 1$ <sup>1)</sup>	
$E_T$	Total unadjusted error <sup>2)</sup>	$f_{\text{CPU}}=8\text{MHz}$ , $f_{\text{ADC}}=4\text{MHz}$ , $V_{\text{DD}}=5.0\text{V}$	$\pm 2$		LSB
$E_O$	Offset error <sup>2)</sup>			-0.5 / 3.5	
$E_G$	Gain Error <sup>2)</sup>			-2 / 0	
$E_D$	Differential linearity error <sup>2)</sup>			$\pm 1$ <sup>1)</sup>	
$E_L$	Integral linearity error <sup>2)</sup>			$\pm 1$ <sup>1)</sup>	

**Notes:**

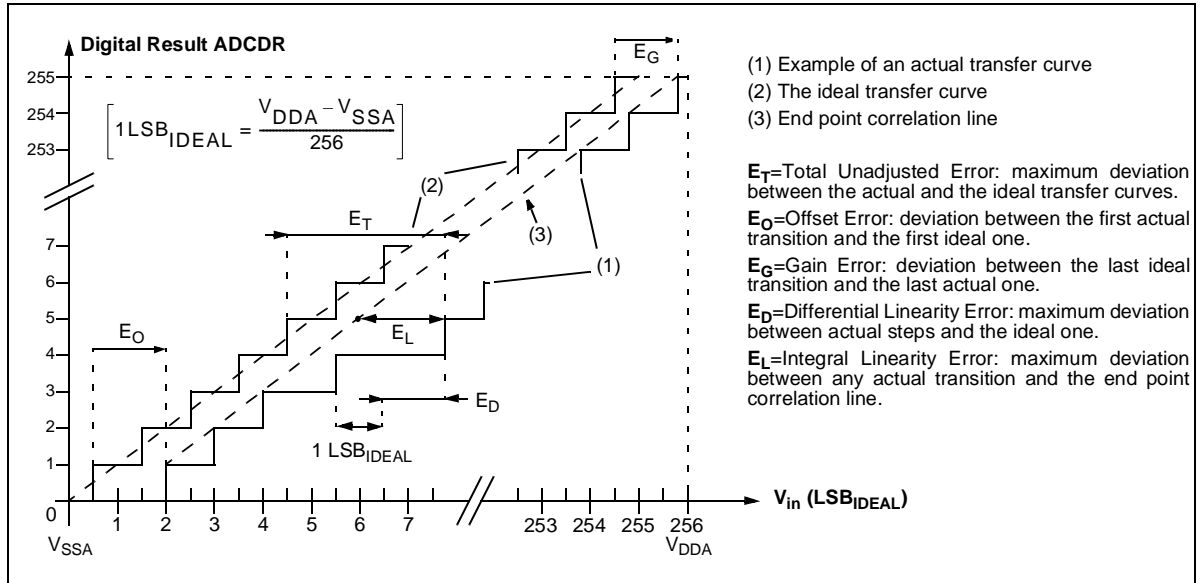
1) Data based on characterization results over the whole temperature range, monitored in production.

2) Injecting negative current on any of the analog input pins significantly reduces the accuracy of any conversion being performed on any analog input.

Analog pins can be protected against negative injection by adding a Schottky diode (pin to ground). Injecting negative current on digital input pins degrades ADC accuracy especially if performed on a pin close to the analog input pins. Any positive injection current within the limits specified for  $I_{\text{INJ(PIN)}}$  and  $\Sigma I_{\text{INJ(PIN)}}$  in [Section 13.8](#) does not affect the ADC accuracy.

ADC CHARACTERISTICS (Cont'd)

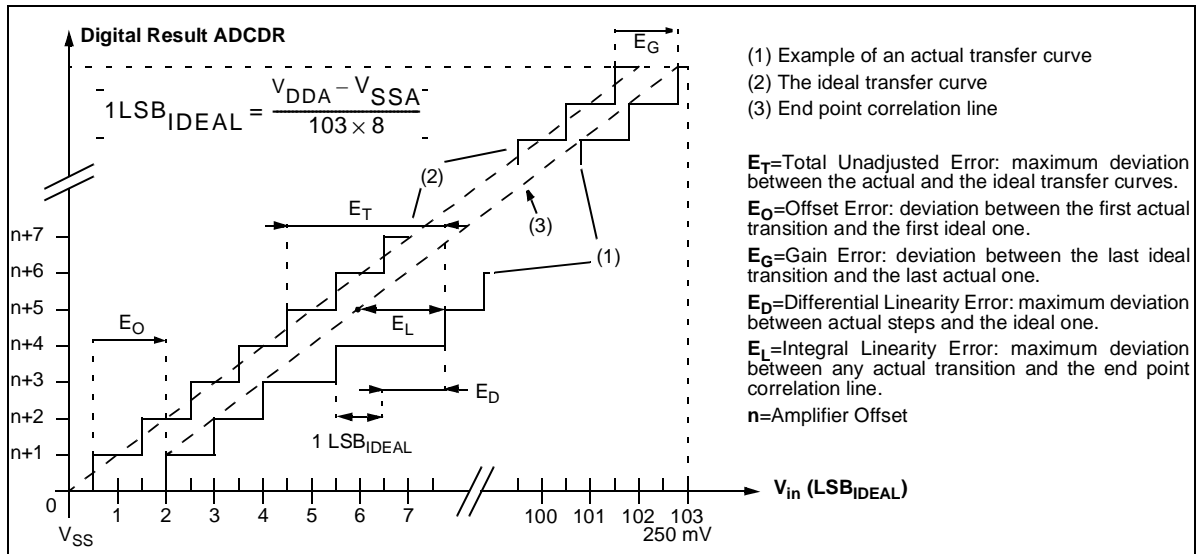
Figure 89. ADC Accuracy Characteristics with Amplifier disabled





## ADC CHARACTERISTICS (Cont'd)

Figure 90. ADC Accuracy Characteristics with Amplifier enabled



**Note:** When the AMPSEL bit in the ADCDRL register is set, it is mandatory that  $f_{ADC}$  be less than or equal to 2 MHz. (if  $f_{CPU}=8\text{MHz}$ , then  $SPEED=0$ ,  $SLOW=1$ ).

Symbol	Parameter	Conditions	Min	Typ	Max	Unit
$V_{DD(AMP)}$	Amplifier operating voltage		4.5		5.5	V
$V_{IN}$	Amplifier input voltage	$V_{DD}=5\text{V}$	0		250	mV
$V_{OFFSET}$	Amplifier offset voltage			200		mV
$V_{STEP}$	Step size for monotonicity <sup>3)</sup>		5			mV
Linearity	Output Voltage Response		Linear			
Gain factor	Amplified Analog input Gain <sup>2)</sup>		7 <sup>1)</sup>	8	9 <sup>1)</sup>	
$V_{max}$	Output Linearity Max Voltage	$V_{INmax} = 250\text{mV}$ , $V_{DD}=5\text{V}$	2.05	2.2	2.4	V
$V_{min}$	Output Linearity Min Voltage		0 <sup>1)</sup>	0.22	0.25	V

**Notes:**

- 1) Data based on characterization results over the whole temperature range, not tested in production.
- 2) For precise conversion results it is recommended to calibrate the amplifier at the following two points:
  - offset at  $V_{INmin} = 0\text{V}$
  - gain at full scale (for example  $V_{IN}=250\text{mV}$ )
- 3) Monotonicity guaranteed if  $V_{IN}$  increases or decreases in steps of min. 5mV.

## 14 PACKAGE CHARACTERISTICS

### 14.1 PACKAGE MECHANICAL DATA

Figure 91. 16-Pin Plastic Dual In-Line Package, 300-mil Width

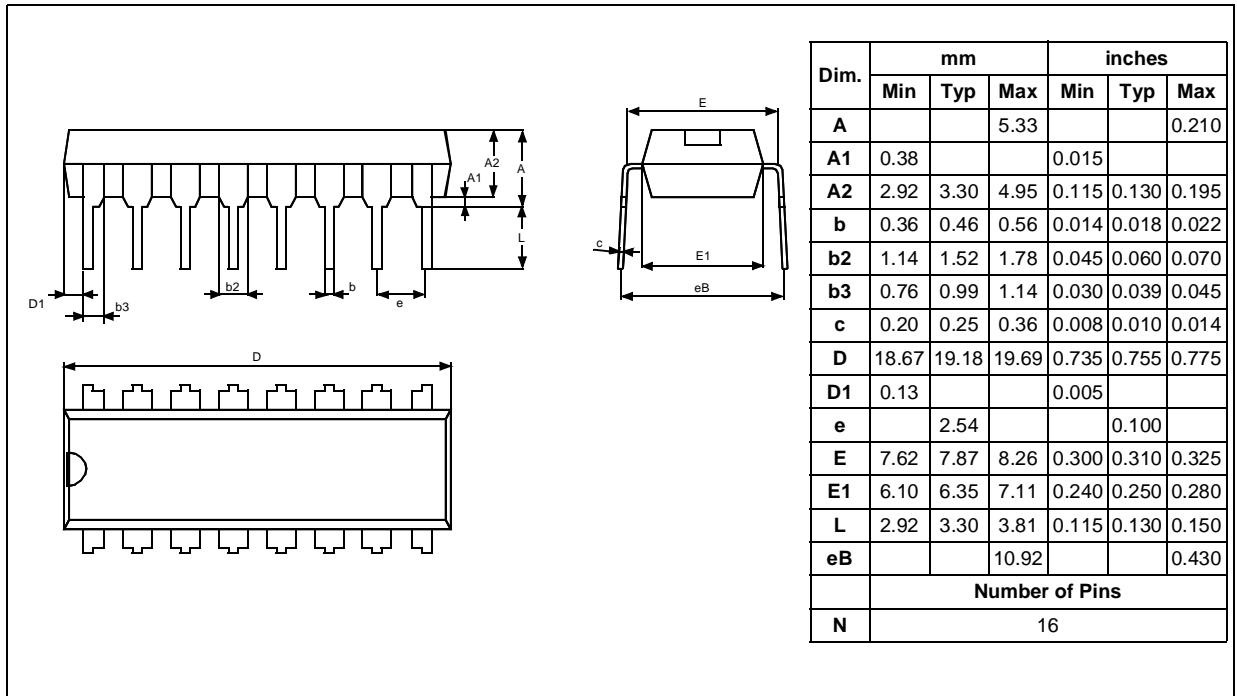
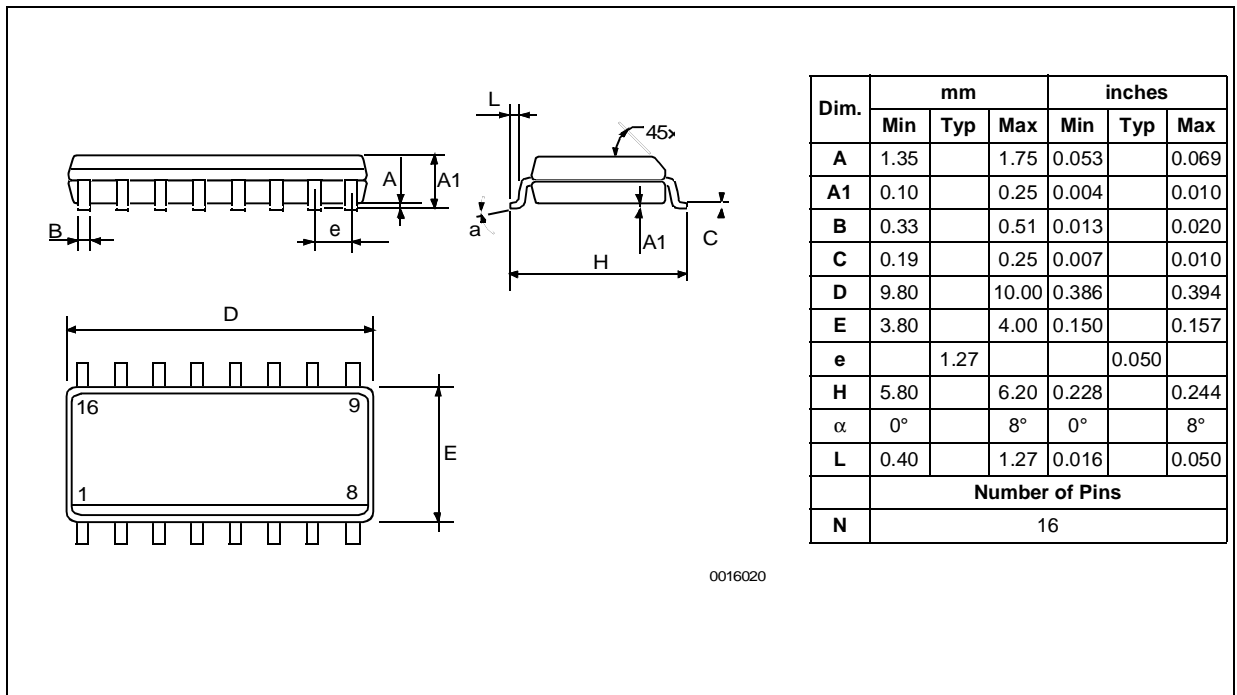


Figure 92. 16-Pin Plastic Small Outline Package, 150-mil Width



## 14.2 THERMAL CHARACTERISTICS

Symbol	Ratings	Value	Unit
$R_{thJA}$	Package thermal resistance (junction to ambient)	TBD	°C/W
$P_D$	Power dissipation <sup>1)</sup>	500	mW
$T_{Jmax}$	Maximum junction temperature <sup>2)</sup>	150	°C

**Notes:**

1. The power dissipation is obtained from the formula  $P_D = P_{INT} + P_{PORT}$  where  $P_{INT}$  is the chip internal power ( $I_{DD} \times V_{DD}$ ) and  $P_{PORT}$  is the port power dissipation determined by the user.
2. The average chip-junction temperature can be obtained from the formula  $T_J = T_A + P_D \times R_{thJA}$ .

14.3 SOLDERING AND GLUEABILITY INFORMATION

Recommended soldering information given only as design guidelines.

Figure 93. Recommended Wave Soldering Profile (with 37% Sn and 63% Pb)

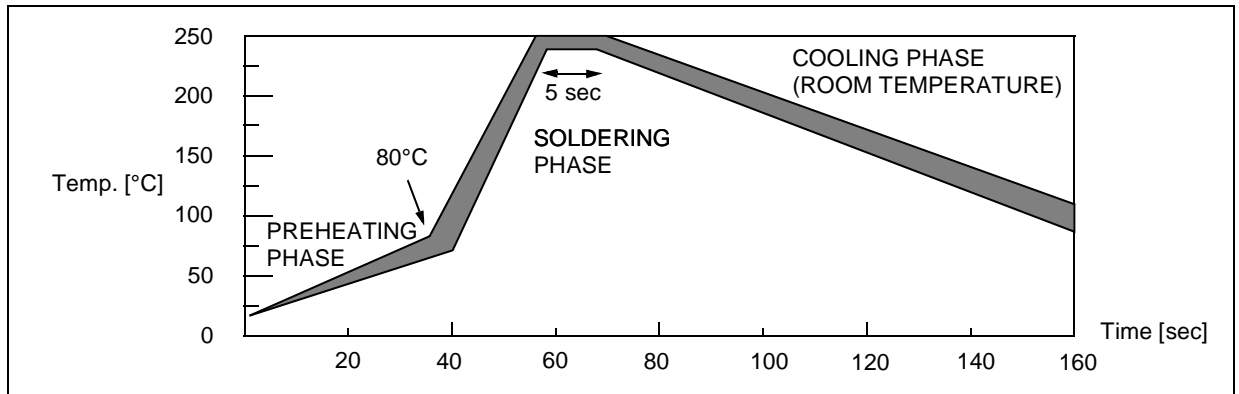
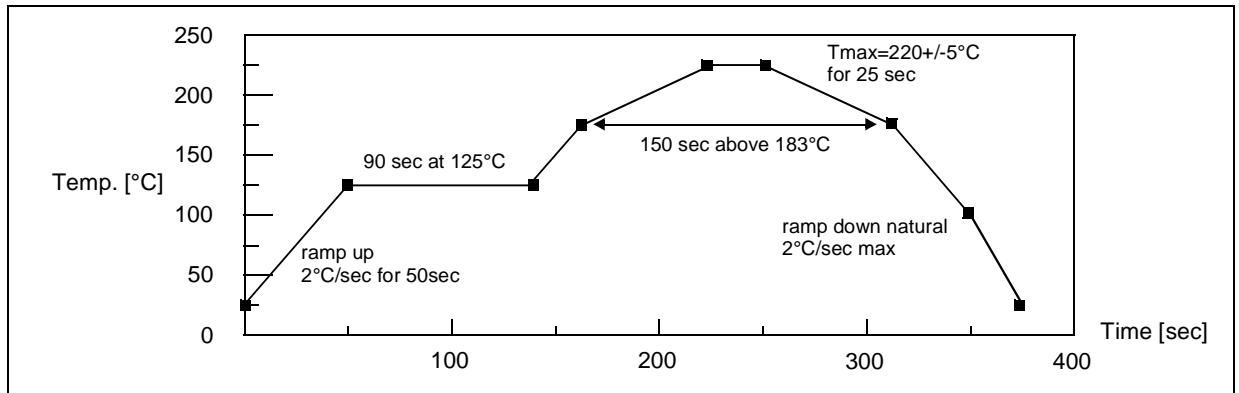


Figure 94. Recommended Reflow Soldering Oven Profile (MID JEDEC)



Recommended glue for SMD plastic packages:

- Heraeus: PD945, PD955
- Loctite: 3615, 3298

## 15 DEVICE CONFIGURATION AND ORDERING INFORMATION

Each device is available for production in user programmable versions (FLASH) as well as in factory coded versions (FASTROM).

ST7PLITE0x and ST7PLITES2/S5 devices are Factory Advanced Service Technique ROM (FASTROM) versions: they are factory-programmed XFlash devices.

ST7FLITE0x and ST7FLITES2/S5 XFlash devices are shipped to customers with a default program memory content (FFh). The OSC option bit is programmed to 0 by default.

The FASTROM factory coded parts contain the code supplied by the customer. This implies that FLASH devices have to be configured by the customer using the Option Bytes while the FASTROM devices are factory-configured.

### 15.1 OPTION BYTES

The two option bytes allow the hardware configuration of the microcontroller to be selected.

The option bytes can be accessed only in programming mode (for example using a standard ST7 programming tool).

#### OPTION BYTE 0

Bit 7:4 = Reserved, must always be 1.

Bit 3:2 = **SEC[1:0]** *Sector 0 size definition*

These option bits indicate the size of sector 0 according to the following table.

Sector 0 Size	SEC1	SEC0
0.5k	0	0
1k	0	1
1.5k <sup>1)</sup>	1	x

**Note 1:** Configuration available for ST7LITE0 devices only.

Bit 1 = **FMP\_R** *Read-out protection*

This option indicates if the FLASH program memory and Data EEPROM is protected against piracy. The read-out protection blocks access to the program and data areas in any mode except user mode and IAP mode. Erasing the option bytes when the FMP\_R option is selected will cause the whole memory to be erased first, and the device can be reprogrammed. Refer to [Section 4.5](#) and the ST7 Flash Programming Reference Manual for more details.

0: Read-out protection off

1: Read-out protection on

Bit 0 = **FMP\_W** *FLASH write protection*

This option indicates if the FLASH program memory is write protected.

**Warning:** When this option is selected, the program memory (and the option bit itself) can never be erased or programmed again.

0: Write protection off

1: Write protection on

OPTION BYTES (Cont'd)

OPTION BYTE 1

Bit 7 = **PLLx4x8 PLL Factor selection.**  
 0: PLLx4  
 1: PLLx8

Bit 5 = Reserved, must always be 1.

Bit 6 = **PLLOFF PLL disable.**  
 0: PLL enabled  
 1: PLL disabled (by-passed)

Bit 4 = **OSC RC Oscillator selection**  
 0: RC oscillator on  
 1: RC oscillator off

Table 20. List of valid option combinations

Operating conditions		Option Bits				
V <sub>DD</sub> range	Clock Source	PLL	Typ f <sub>CPU</sub>	OSC	PLLOFF	PLLx4x8
2.4V - 3.3V	Internal RC 1%	off	0.7MHz @3V	0	1	x
		x4	2.8MHz @3V	0	0	0
		x8	-	-	-	-
	External clock	off	0-4MHz	1	1	x
		x4	4MHz	1	0	0
		x8	-	-	-	-
3.3V - 5.5V	Internal RC 1%	off	1MHz @5V	0	1	x
		x4	-	-	-	-
		x8	8MHz @5V	0	0	1
	External clock	off	0-8MHz	1	1	x
		x4	-	-	-	-
		x8	8 MHz	1	0	1

Note 1: see Clock Management Block diagram in [Figure 13](#)

Bit 3:2 = **LVD[1:0] Low voltage detection selection**  
 These option bits enable the LVD block with a selected threshold as shown in [Table 21](#).

Table 21. LVD Threshold Configuration

Configuration	LVD1	LVD0
LVD Off	1	1
Highest Voltage Threshold (~4.1V)	1	0
Medium Voltage Threshold (~3.5V)	0	1
Lowest Voltage Threshold (~2.8V)	0	0

Bit 1 = **WDG SW Hardware or software watchdog**  
 This option bit selects the watchdog type.  
 0: Hardware (watchdog always enabled)  
 1: Software (watchdog to be enabled by software)

Bit 0 = **WDG HALT Watchdog Reset on Halt**  
 This option bit determines if a RESET is generated when entering HALT mode while the Watchdog is active.  
 0: No Reset generation when entering Halt mode  
 1: Reset generation when entering Halt mode

	OPTION BYTE 0								OPTION BYTE 1							
	7				0				7				0			
	Reserved				SEC1	SEC0	FMP R	FMP W	PLL x4x8	PLL OFF		OSC	LVD1	LVD0	WDG SW	WDG HALT
Default Value	1	1	1	1	1	1	0	0	1	1	1	0	1	1	1	1

## 15.2 DEVICE ORDERING INFORMATION AND TRANSFER OF CUSTOMER CODE

Customer code is made up of the FASTROM contents and the list of the selected options (if any). The FASTROM contents are to be sent on diskette, or by electronic means, with the S19 hexadecimal file generated by the development tool. All unused bytes must be set to FFh. The selected options are communicated to STMicroelectronics us-

ing the correctly completed OPTION LIST appended.

Refer to application note AN1635 for information on the counter listing returned by ST after code has been transferred.

The STMicroelectronics Sales Organization will be pleased to provide detailed information on contractual points.

**Table 22. Supported part numbers**

Part Number	Program Memory (Bytes)	Data EEPROM (Bytes)	RAM (Bytes)	ADC	Temp. Range	Package
ST7FLITES2Y0B6	1K FLASH	-	128	-	-40°C +85°C	DIP16
ST7FLITES2Y0M6		-		-		SO16
ST7FLITES5Y0B6		-		yes <sup>1)</sup>		DIP16
ST7FLITES5Y0M6		-		yes <sup>1)</sup>		SO16
ST7PLITES2Y0B6	1K FASTROM	-	128	-	-40°C +85°C	DIP16
ST7PLITES2Y0M6		-		-		SO16
ST7PLITES5Y0B6		-		yes <sup>1)</sup>		DIP16
ST7PLITES5Y0M6		-		yes <sup>1)</sup>		SO16
ST7FLITE02Y0B6	1.5K FLASH	-	128	-	-40°C +85°C	DIP16
ST7FLITE02Y0M6		-		-		SO16
ST7FLITE05Y0B6		-		yes <sup>2)</sup>		DIP16
ST7FLITE05Y0M6		-		yes <sup>2)</sup>		SO16
ST7FLITE09Y0B6		128		yes <sup>2)</sup>		DIP16
ST7FLITE09Y0M6		128		yes <sup>2)</sup>		SO16
ST7PLITE02Y0B6	1.5K FASTROM	-	128	-	-40°C +85°C	DIP16
ST7PLITE02Y0M6		-		-		SO16
ST7PLITE05Y0B6		-		yes <sup>2)</sup>		DIP16
ST7PLITE05Y0M6		-		yes <sup>2)</sup>		SO16
ST7PLITE09Y0B6		128		yes <sup>2)</sup>		DIP16
ST7PLITE09Y0M6		128		yes <sup>2)</sup>		SO16

Contact ST sales office for product availability

**Note 1:** available without Operational Amplifier

**Note 2:** available with Operational Amplifier





### 15.3 DEVELOPMENT TOOLS

STMicroelectronics offers a range of hardware and software development tools for the ST7 microcontroller family. Full details of tools available for the ST7 from third party manufacturers can be obtained from the STMicroelectronics Internet site:

➔ <http://mcu.st.com>.

Tools from these manufacturers include C compilers, emulators and gang programmers.

#### STMicroelectronics Tools

Three types of development tool are offered by ST, all of them connect to a PC via a parallel (LPT) or USB port: see [Table 23](#) and [Table 24](#) for more details.

**Table 23. STMicroelectronics Tools Features**

	In-Circuit Emulation	Programming Capability <sup>1)</sup>	Software Included
<b>ST7 In Circuit Debugging Kit</b>	Yes	Yes (all packages)	ST7 CD ROM with:
<b>ST7 Emulator</b>	Yes, powerful emulation features including trace/logic analyzer	No	– ST7 Assembly toolchain – STVD7 powerful Source Level Debugger for Win 9x and NT – C compiler demo versions
<b>ST7 Programming Board</b>	No	Yes (All packages)	– ST Realizer for Win 3.1 and Win 95. – Windows Programming Tools for Win 9x and NT

**Table 24. Dedicated STMicroelectronics Development Tools**

Supported Products	ST7 In Circuit Debugging Kit	ST7 Emulator	ST7 Programming Board
ST7FLITE02, ST7FLITE05, ST7FLITE09, ST7FLITES2, ST7FLITES5	ST7FLITE0-INDART (parallel port) ST7FLIT0-IND/USB (USB port)	ST7MDT10-EMU3	ST7MDT10-EPB

**Note:**

1. In-Circuit Programming (ICP) interface for FLASH devices.

## 15.4 ST7 APPLICATION NOTES

IDENTIFICATION	DESCRIPTION
<b>EXAMPLE DRIVERS</b>	
AN 969	SCI COMMUNICATION BETWEEN ST7 AND PC
AN 970	SPI COMMUNICATION BETWEEN ST7 AND EEPROM
AN 971	I <sup>2</sup> C COMMUNICATING BETWEEN ST7 AND M24CXX EEPROM
AN 972	ST7 SOFTWARE SPI MASTER COMMUNICATION
AN 973	SCI SOFTWARE COMMUNICATION WITH A PC USING ST72251 16-BIT TIMER
AN 974	REAL TIME CLOCK WITH ST7 TIMER OUTPUT COMPARE
AN 976	DRIVING A BUZZER THROUGH ST7 TIMER PWM FUNCTION
AN 979	DRIVING AN ANALOG KEYBOARD WITH THE ST7 ADC
AN 980	ST7 KEYPAD DECODING TECHNIQUES, IMPLEMENTING WAKE-UP ON KEYSTROKE
AN1017	USING THE ST7 UNIVERSAL SERIAL BUS MICROCONTROLLER
AN1041	USING ST7 PWM SIGNAL TO GENERATE ANALOG OUTPUT (SINUSOID)
AN1042	ST7 ROUTINE FOR I <sup>2</sup> C SLAVE MODE MANAGEMENT
AN1044	MULTIPLE INTERRUPT SOURCES MANAGEMENT FOR ST7 MCUS
AN1045	ST7 S/W IMPLEMENTATION OF I <sup>2</sup> C BUS MASTER
AN1046	UART EMULATION SOFTWARE
AN1047	MANAGING RECEPTION ERRORS WITH THE ST7 SCI PERIPHERALS
AN1048	ST7 SOFTWARE LCD DRIVER
AN1078	PWM DUTY CYCLE SWITCH IMPLEMENTING TRUE 0% & 100% DUTY CYCLE
AN1082	DESCRIPTION OF THE ST72141 MOTOR CONTROL PERIPHERAL REGISTERS
AN1083	ST72141 BLDC MOTOR CONTROL SOFTWARE AND FLOWCHART EXAMPLE
AN1105	ST7 PCAN PERIPHERAL DRIVER
AN1129	PERMANENT MAGNET DC MOTOR DRIVE.
AN1130	AN INTRODUCTION TO SENSORLESS BRUSHLESS DC MOTOR DRIVE APPLICATIONS WITH THE ST72141
AN1148	USING THE ST7263 FOR DESIGNING A USB MOUSE
AN1149	HANDLING SUSPEND MODE ON A USB MOUSE
AN1180	USING THE ST7263 KIT TO IMPLEMENT A USB GAME PAD
AN1276	BLDC MOTOR START ROUTINE FOR THE ST72141 MICROCONTROLLER
AN1321	USING THE ST72141 MOTOR CONTROL MCU IN SENSOR MODE
AN1325	USING THE ST7 USB LOW-SPEED FIRMWARE V4.X
AN1445	USING THE ST7 SPI TO EMULATE A 16-BIT SLAVE
AN1475	DEVELOPING AN ST7265X MASS STORAGE APPLICATION
AN1504	STARTING A PWM SIGNAL DIRECTLY AT HIGH LEVEL USING THE ST7 16-BIT TIMER
<b>PRODUCT EVALUATION</b>	
AN 910	PERFORMANCE BENCHMARKING
AN 990	ST7 BENEFITS VERSUS INDUSTRY STANDARD
AN1077	OVERVIEW OF ENHANCED CAN CONTROLLERS FOR ST7 AND ST9 MCUS
AN1086	U435 CAN-DO SOLUTIONS FOR CAR MULTIPLEXING
AN1150	BENCHMARK ST72 VS PC16
AN1151	PERFORMANCE COMPARISON BETWEEN ST72254 & PC16F876
AN1278	LIN (LOCAL INTERCONNECT NETWORK) SOLUTIONS
<b>PRODUCT MIGRATION</b>	
AN1131	MIGRATING APPLICATIONS FROM ST72511/311/214/124 TO ST72521/321/324
AN1322	MIGRATING AN APPLICATION FROM ST7263 REV.B TO ST7263B
AN1365	GUIDELINES FOR MIGRATING ST72C254 APPLICATION TO ST72F264
<b>PRODUCT OPTIMIZATION</b>	

IDENTIFICATION	DESCRIPTION
AN 982	USING ST7 WITH CERAMIC RESONATOR
AN1014	HOW TO MINIMIZE THE ST7 POWER CONSUMPTION
AN1015	SOFTWARE TECHNIQUES FOR IMPROVING MICROCONTROLLER EMC PERFORMANCE
AN1040	MONITORING THE VBUS SIGNAL FOR USB SELF-POWERED DEVICES
AN1070	ST7 CHECKSUM SELF-CHECKING CAPABILITY
AN1324	CALIBRATING THE RC OSCILLATOR OF THE ST7FLITE0 MCU USING THE MAINS
AN1477	EMULATED DATA EEPROM WITH XFLASH MEMORY
AN1502	EMULATED DATA EEPROM WITH ST7 HDFLASH MEMORY
AN1529	EXTENDING THE CURRENT & VOLTAGE CAPABILITY ON THE ST7265 VDDF SUPPLY
AN1530	ACCURATE TIMEBASE FOR LOW-COST ST7 APPLICATIONS WITH INTERNAL RC OSCILLATOR
<b>PROGRAMMING AND TOOLS</b>	
AN 978	KEY FEATURES OF THE STVD7 ST7 VISUAL DEBUG PACKAGE
AN 983	KEY FEATURES OF THE COSMIC ST7 C-COMPILER PACKAGE
AN 985	EXECUTING CODE IN ST7 RAM
AN 986	USING THE INDIRECT ADDRESSING MODE WITH ST7
AN 987	ST7 SERIAL TEST CONTROLLER PROGRAMMING
AN 988	STARTING WITH ST7 ASSEMBLY TOOL CHAIN
AN 989	GETTING STARTED WITH THE ST7 HIWARE C TOOLCHAIN
AN1039	ST7 MATH UTILITY ROUTINES
AN1064	WRITING OPTIMIZED HIWARE C LANGUAGE FOR ST7
AN1071	HALF DUPLEX USB-TO-SERIAL BRIDGE USING THE ST72611 USB MICROCONTROLLER
AN1106	TRANSLATING ASSEMBLY CODE FROM HC05 TO ST7
AN1179	PROGRAMMING ST7 FLASH MICROCONTROLLERS IN REMOTE ISP MODE (IN-SITU PROGRAMMING)
AN1446	USING THE ST72521 EMULATOR TO DEBUG A ST72324 TARGET APPLICATION
AN1478	PORTING AN ST7 PANTA PROJECT TO CODEWARRIOR IDE
AN1527	DEVELOPING A USB SMARTCARD READER WITH ST7SCR
AN1575	ON-BOARD PROGRAMMING METHODS FOR XFLASH AND HDFLASH ST7 MCUS

## 16 IMPORTANT NOTES

### 16.1 Execution of BTJX Instruction

#### Description

Executing a BTJx instruction jumps to a random address in the following conditions: the jump goes to a lower address (jump backward) and the test is performed on a data located at the address 00FFh.

### 16.2 In-Circuit Programming of devices previously programmed with Hardware Watchdog option

#### Description

In-Circuit Programming of devices configured with Hardware Watchdog (WDGSW bit in option byte 1 programmed to 0) requires certain precautions (see below).

In-Circuit Programming uses ICC mode. In this mode, the Hardware Watchdog is not automatically deactivated as one might expect. As a consequence, internal resets are generated every 2 ms by the watchdog, thus preventing programming.

The device factory configuration is Software Watchdog so this issue is not seen with devices that are programmed for the first time. For the same reason, devices programmed by the user with the Software Watchdog option are not impacted.

The only devices impacted are those that have previously been programmed with the Hardware Watchdog option.

#### Workaround

Devices configured with Hardware Watchdog must be programmed using a specific programming mode that ignores the option byte settings. In this mode, an external clock, normally provided by the programming tool, has to be used. In ST tools, this mode is called "ICP OPTIONS DISABLED".

Sockets on ST programming tools (such as ST7MDT10-EPB) are controlled using "ICP OPTIONS DISABLED" mode. Devices can therefore be reprogrammed by plugging them in the ST Programming Board socket, whatever the watchdog configuration.

When using third-party tools, please refer the manufacturer's documentation to check how to access specific programming modes. If a tool does not have a mode that ignores the option byte settings, devices programmed with the Hardware watchdog option cannot be reprogrammed using this tool.

### 16.3 In-Circuit Debugging with Hardware Watchdog

In Circuit Debugging is impacted in the same way as In Circuit Programming by the activation of the hardware watchdog in ICC mode. Please refer to [Section 16.2](#).

## 17 SUMMARY OF CHANGES

Revision	Main changes	Date
2.4	Added ST7LITE02x devices and ST7SUPERLITE devices Changed Caution to pin n°10 in Table 1, "Device Pin Description," on page 7 Changed note 5 in <a href="#">section 4.4 on page 13</a> Changed <a href="#">section 4.5.1 on page 14</a> Changed <a href="#">section 11.4.6 on page 70</a> : added note in the description of ADON Bit (ADCCSR register) and modified description of AMPSEL bit in the ADCAMP register Changed <a href="#">section 13.3.1 on page 80</a> : $f_{CLKIN}$ instead of $f_{OSC}$ Changed note 2 in <a href="#">section 13.3.4.2 on page 83</a> Changed <a href="#">section 13.7.1 on page 90</a> Updated <a href="#">section 13.7.2.2 on page 92</a> ("Electrical Sensitivities" table) Changed <a href="#">section 15 on page 109</a> Changed <a href="#">section 15.2 on page 111</a> Changed Table 24, "Dedicated STMicroelectronics Development Tools," on page 113 Changed option list on <a href="#">page 112</a>	August-03

**ST7LITE0, ST7SUPERLITE  
LIMITATIONS AND CORRECTIONS****18 SILICON IDENTIFICATION**

This section of the document refers to rev Y ST7FLITE0 and ST7FLITES2/S5 devices.

They are identifiable:

- On the device package, by the last letter of the **Trace code** marked on the device package
- On the box, by the last 3 digits of the **Internal Sales Type** printed on the box label.

**Table 25. Device Identification**

	<b>Trace Code marked on device</b>	<b>Internal Sales Type on box label</b>
<b>Flash Devices:</b>	“xxxxxxxxxY”	7FLITE09Y0M6\$U5 7FLITE09Y0B6\$U5 7FLITE05Y0M6\$U5 7FLITE05Y0B6\$U5 7FLITE02Y0M6\$U5 7FLITE02Y0B6\$U5 7FLITES5Y0M6\$U5 7FLITES5Y0B6\$U5 7FLITES2Y0M6\$U5 7FLITES2Y0B6\$U5

See also [Figure 95](#)

**19 REFERENCE SPECIFICATION**

Limitations in this document are with reference to the ST7LITE0, ST7SUPERLITE Datasheet Revision 2.4 (August 2003).

**20 SILICON LIMITATIONS****20.1 NEGATIVE INJECTION IMPACT ON ADC ACCURACY**

Injecting a negative current on an analog input pins significantly reduces the accuracy of the AD Converter. Whenever necessary, the negative injection should be prevented by the addition of a Schottky diode between the concerned I/Os and ground.

Injecting a negative current on digital input pins degrades ADC accuracy especially if performed on a pin close to ADC channel in use.

## 20.2 ADC CONVERSION SPURIOUS RESULTS

Spurious conversions occur with a rate lower than 50 per million. Such conversions happen when the measured voltage is just between 2 consecutive digital values.

### Workaround

A software filter should be implemented to remove erratic conversion results whenever they may cause unwanted consequences.

## 20.3 FUNCTIONAL ESD SENSITIVITY

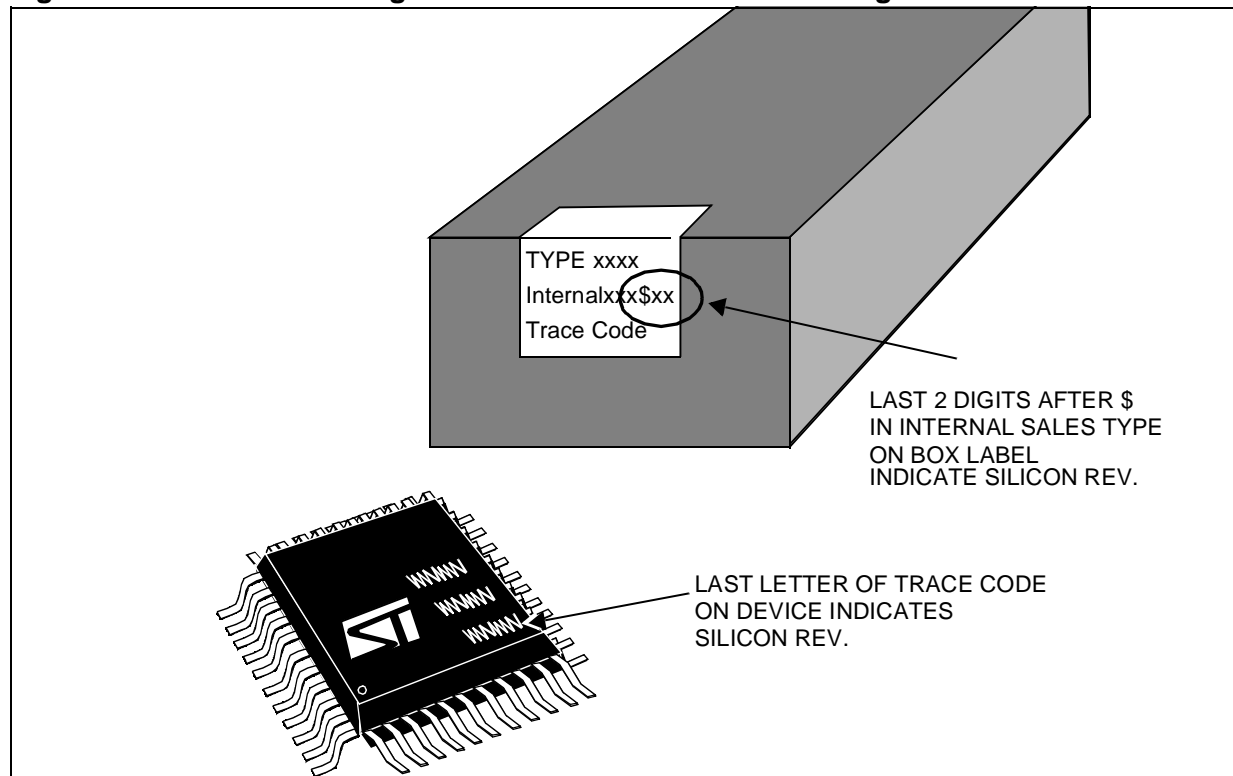
The ST7LITE0 and ST7SUPERLITE, when configured with High or Medium LVD threshold, are below the STMicroelectronics functional sensitivity standard. When positive stress is injected on I/Os, the LVD reset is activated, but normal operation resumes after reset.

As a consequence, the application should be well protected against ESD. The firmware may also be designed to allow warm reset, as described in EMC application note AN1015, allowing the application to resume normal operation after a reset.

This does not affect ESD absolute maximum ratings: the ST7LITE0 and ST7SUPERLITE meet STMicroelectronics standards concerning ESD levels that may cause damage to the silicon. Devices configured without LVD and with the Low LVD threshold level are not impacted.

## 21 DEVICE MARKING

Figure 95. Revision Marking on Box Label and Device Marking





**22 ERRATA SHEET REVISION HISTORY**

Revision	Main Changes	Date
2.5	This revision refers to the ST7LITE0, ST7SUPERLITE datasheet revision 2.4.	August 2003

# ERRATA SHEET

---

## Notes:

Information furnished is believed to be accurate and reliable. However, STMicroelectronics assumes no responsibility for the consequences of use of such information nor for any infringement of patents or other rights of third parties which may result from its use. No license is granted by implication or otherwise under any patent or patent rights of STMicroelectronics. Specifications mentioned in this publication are subject to change without notice. This publication supersedes and replaces all information previously supplied. STMicroelectronics products are not authorized for use as critical components in life support devices or systems without the express written approval of STMicroelectronics.

The ST logo is a registered trademark of STMicroelectronics

©2003 STMicroelectronics - All Rights Reserved.

Purchase of I<sup>2</sup>C Components by STMicroelectronics conveys a license under the Philips I<sup>2</sup>C Patent. Rights to use these components in an I<sup>2</sup>C system is granted provided that the system conforms to the I<sup>2</sup>C Standard Specification as defined by Philips.

STMicroelectronics Group of Companies

Australia - Brazil - Canada - China - Finland - France - Germany - Hong Kong - India - Israel - Italy - Japan  
Malaysia - Malta - Morocco - Singapore - Spain - Sweden - Switzerland - United Kingdom - U.S.A.

<http://www.st.com>