

isc N-Channel MOSFET Transistor

7N60A

• DESCRIPTION

- Drain Current $I_D = 7A @ T_C = 25^\circ C$
- Drain Source Voltage-
: $V_{DSS} = 600V(\text{Min})$
- Fast Switching Speed

• APPLICATIONS

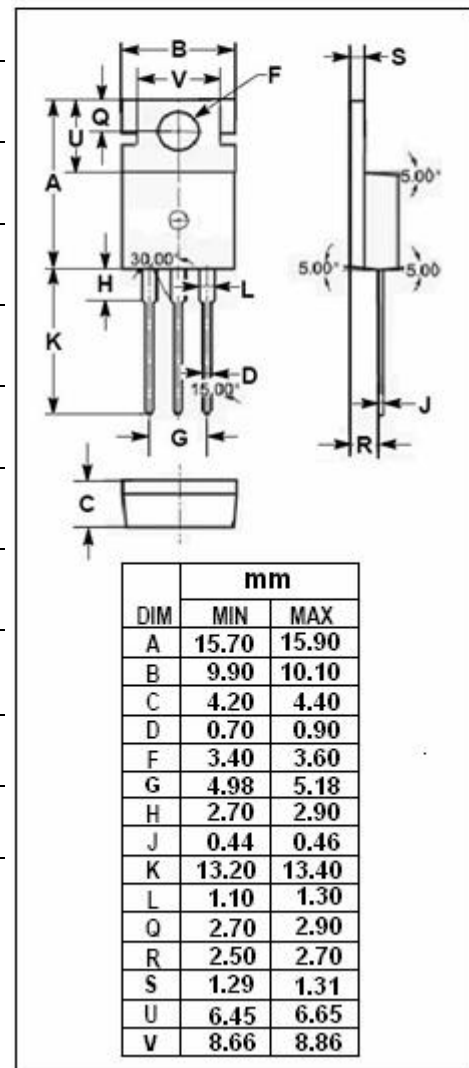
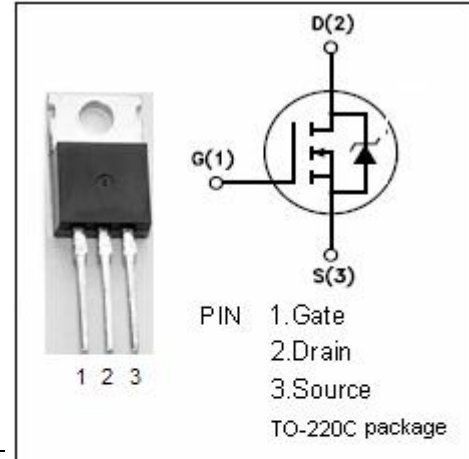
- General purpose power amplifier

• ABSOLUTE MAXIMUM RATINGS($T_C = 25^\circ C$)

SYMBOL	PARAMETER	VALUE	UNIT
V_{DSS}	Drain-Source Voltage ($V_{GS} = 0$)	600	V
V_{GS}	Gate-Source Voltage	± 20	V
I_D	Drain Current-continuous @ $T_C = 25^\circ C$	7	A
$I_{D(\text{puls})}$	Pulse Drain Current	28	A
P_{tot}	Total Dissipation @ $T_C = 25^\circ C$	60	W
T_j	Max. Operating Junction Temperature	150	$^\circ C$
T_{stg}	Storage Temperature Range	-55~150	$^\circ C$

• THERMAL CHARACTERISTICS

SYMBOL	PARAMETER	MAX	UNIT
$R_{\text{th j-c}}$	Thermal Resistance, Junction to Case	1.25	$^\circ C/W$



isc N-Channel MOSFET Transistor**7N60A**• ELECTRICAL CHARACTERISTICS ($T_C=25^\circ\text{C}$)

SYMBOL	PARAMETER	CONDITIONS	MIN	TYPE	MAX	UNIT
$V_{(BR)DSS}$	Drain-Source Breakdown Voltage	$V_{GS}=0; I_D=1\text{mA}$	600			V
$V_{GS(th)}$	Gate Threshold Voltage	$V_{DS}=V_{GS}; I_D=250\mu\text{A}$	2.0		4.0	V
V_{SD}	Diode Forward On-Voltage	$I_S=3.5\text{A}; V_{GS}=0$			1.4	V
$R_{DS(on)}$	Drain-Source On-Resistance	$V_{GS}=10\text{V}; I_D=3.5\text{A}$			1.2	Ω
I_{GSS}	Gate-Body Leakage Current	$V_{GS}= \pm 20\text{V}; V_{DS}=0$			± 100	nA
I_{DSS}	Zero Gate Voltage Drain Current	$V_{DS}=600\text{V}; V_{GS}=0$			20	μA