



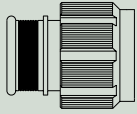
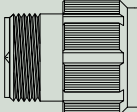
## Series 801 Mighty Mouse Double-Start ACME Threads Plug Connector Ordering Information 801-007 and 801-008



Series 801 Plug Connector

Glenair's Series 801 Mighty Mouse connector features a double-start modified stub ACME mating thread for improved protection against cross-mating and thread damage. Connector shells are machined aluminum or stainless steel, and are designed to accommodate (depending on insert arrangement) Glenair size #16, #20HD, or #23 fiber optic termini (termini sold separately.) Metal clips inside the connector body lock the termini into place. Termini are removable. Fluorosilicone seals and rear grommet protect the connector from water ingress. Choose hex or knurled coupling nut. Terminate cable shield directly to connector body with BAND-IT strap, or choose rear accessory thread to attach optional backshell. Available in shell sizes 5 through 21 in 30 insert arrangements.

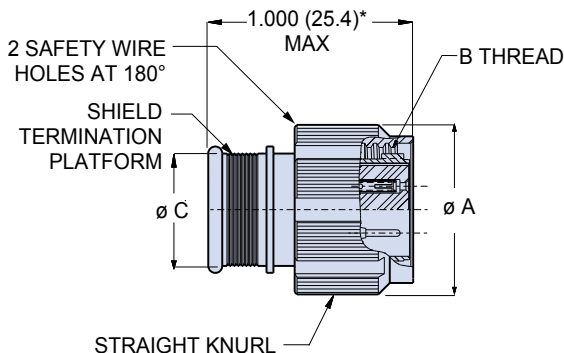
**D**

How to Order					
Sample Part Number					
801-007	-16	M	7-10	A	A
Series	Shell Style	Shell Material / Finish	Shell Size- Insert Arrangement	Contact Type	Shell Key Position
 <p><b>801-007</b> Banding Platform</p>  <p><b>801-008</b> Rear Accessory Thread</p>	<p style="color: blue;">-16</p> <p>Plug with Anti-Decoupling Spring</p> <p style="color: blue;">-26</p> <p>Self-Locking Plug with Ratchet Mechanism (the "Clicker")</p>	<p style="color: blue;">C</p> <p>Aluminum / Black Anodize (Non-Conductive) RoHS Compliant</p> <p style="color: blue;">M</p> <p>Aluminum / Electroless Nickel RoHS Compliant</p> <p style="color: blue;">NF</p> <p>Aluminum / Cadmium with Olive Drab Chromate</p> <p style="color: blue;">ZN</p> <p>Aluminum / Zinc-Nickel with Olive Drab Chromate</p> <p style="color: blue;">ZNU</p> <p>Aluminum / Zinc-Nickel with Black Chromate</p> <p style="color: blue;">MT</p> <p>Aluminum / Nickel-PTFE RoHS Compliant</p> <p style="color: blue;">Z1</p> <p>Stainless Steel / Passivated RoHS Compliant</p>	<p>SEE <b style="color: blue;">INSERT ARRANGEMENTS</b> PAGES D-2, D-4, D-6</p>	<p><i>Connector supplied without termini. Please indicate pin or socket.</i></p> <p style="color: blue;">A</p> <p>Pin connector, less termini</p> <p style="color: blue;">B</p> <p>Socket connector, less termini</p>	<p style="color: blue;">A</p> <p>Normal</p> <p>Alternate Key Positions:</p> <p style="color: blue;">B C D E F</p>

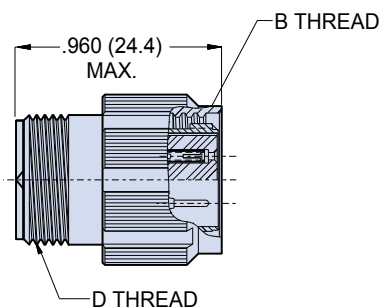
# Series 801 Mighty Mouse Double-Start ACME Threads Plug Connector Dimensions 801-007 and 801-008



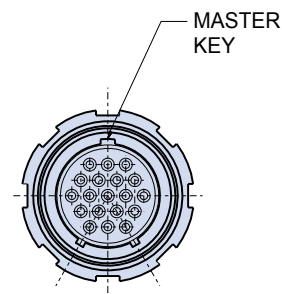
Mighty Mouse  
Fiber Optic



**Integral Band Platform**  
801-007



**Accessory Thread**  
801-008



**D**

\* For all size #8 arrangements, add .320" to overall length. For -26 add .127 (3.23)

Dimensions								
Shell Size	Style 16		Style 26		B Thread	Ø C		D Thread UNEF-2A
	Ø A		Ø A			In.	mm.	
	In.	mm.	In.	mm.				
5	.540	13.72	.640	16.26	.3125-.05P-1L-2B	.245	6.22	.250-32
6	.600	15.24	.700	17.78	.375-.05P-1L-2B	.290	7.37	.3125-32
7	.680	17.27	.780	19.81	.4375-.05P-1L-2B	.390	9.91	.4375-28
8	.750	19.05	.850	21.59	.5000-.05P-1L-2B	.445	11.30	.5000-28
9	.810	20.57	.910	23.11	.5625-.05P-1L-2B	.500	12.70	.5625-24
10	.880	22.35	.980	24.89	.6250-.05P-1L-2B	.560	14.22	.6250-24
13	1.050	26.67	1.150	29.21	.8125-1P-2L-2B	.650	16.51	.6875-24
16	1.240	31.50	1.340	34.04	1.000-1P-2L-2B	.805	20.45	.9375-20
17	1.300	33.02	1.400	35.56	1.062-1P-2L-2B	.850	21.59	.9375-20
21	1.550	39.37	1.650	41.91	1.3125-1p-2L-2B	1.110	28.19	1.1875-18

Plug Key Positions		
Position	A°	B°
A	150°	210°
B	75°	210°
C	95°	230°
D	140°	275°
E	75°	275°
F	95°	210°