

Solid State Relay Module

Model 8073C

Typical applications

- Robust solid state relay module for use with the 8071D controller - see Datasheet_8071_Controller
- Heavy duty interface for use between electronic valve controllers having either two relay outputs or two logic outputs and an electrically actuated valve

Key benefits

- Significantly extended lifetime and increased reliability over electro-mechanical relay switching modules
- Allows electric valve controllers to be used in arduous environments where continuous switching may be required
- Sealed enclosure



**Model 8073C
Solid State Relay**

Solid State Relay - Model 8073C

Installation

Housed within an IP67 enclosure the unit is easily installed within a panel or can be wall mounted. Although intended for use with the AMOT 8071D

controller, the unit can also be connected to any other electric controller with switched or logic level outputs.

Specification

Supply voltage

Voltage rating

110 to 240 VAC

Frequency:

50/60 Hz

Relay inputs (contact driven)

Voltage range

110V to 240 VAC

Contact current: <40mA

Logic inputs

Voltage range

5 to 30 VDC

Drive current:

<20mA

Outputs

Rated to drive all AMOT CompACT actuators.

Transient protection: 600V (L to L1, L2)

Environment

Ambient temperature:

-20°C to 50°C

(-4°F to 122°F)

Ambient humidity:

20% - 80%

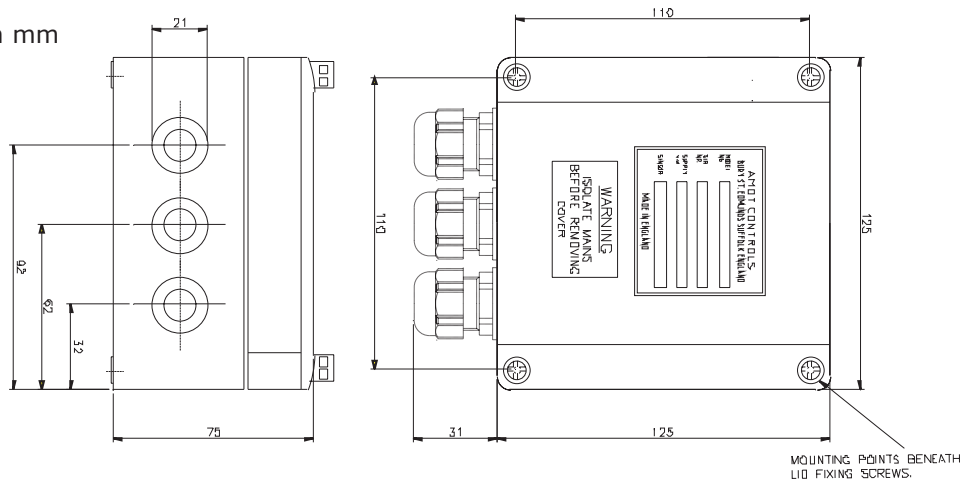
Approximate net weight:

0.5kg

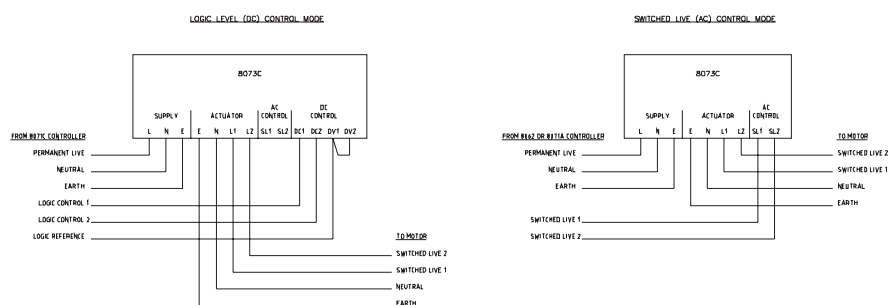
(1.1 lbs)

Dimensions

Dimensions in mm



Wiring diagrams



Americas

AMOT USA
8824 Fallbrook Dr
Houston, TX 77064
USA

Tel +1 (281) 940 1800
Fax +1 (713) 559 9419
Email general: sales@amotusa.com
orders: orders@amotusa.com
customer service: cs@amotusa.com

Asia and Australasia

AMOT Shanghai
Room 308, Building A8
Jiahua Business Center
808 Hongqiao Rd
Shanghai 200030
China

Tel +86 (0) 21 6447 9708
Fax +86 (0) 21 6447 9718
Email shanghai@amot.com

AMOT Singapore
10 Eunos Road 8 #12-06
Singapore Post Centre
Singapore 408600

Tel +65 6408 6265
Fax +65 6293 3307
Email singapore@amot.com

Europe, Middle East and Africa

AMOT
Western Way
Bury St Edmunds
Suffolk, IP33 3SZ
England

Tel +44 (0) 1284 762222
Fax +44 (0) 1284 760256
Email info@amot.com

AMOT Controls GmbH
Rondenbarg 25
22525 Hamburg
Germany

Tel +49 (0) 40 8537 1298
Fax +49 (0) 40 8537 1331
Email germany@amot.com

AMOT Russia
#34 Shabolovka Street
Building 2
Moscow 115419
Russia

Tel +7 495 617 12 93
Fax +7 495 913 97 65
Email russia@amot.com