



## 80N07

Preliminary

Power MOSFET

### 80A, 70V N-CHANNEL POWER MOSFET

#### DESCRIPTION

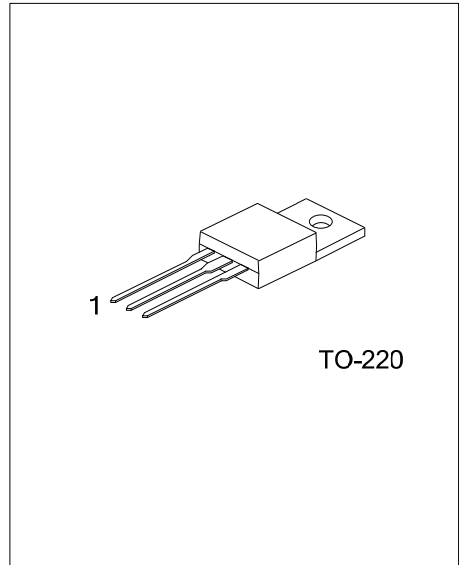
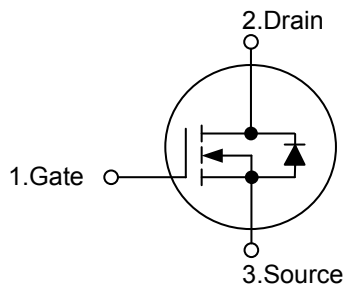
The UTC **80N07** is an N-channel MOSFET using UTC advanced technology.

The UTC **80N07** is suitable for power supply (secondary synchronous rectification), industrial and primary switch etc.

#### FEATURES

\*  $R_{DS(ON)} < 15m\Omega @ V_{GS} = 10V, I_D = 40A$

#### SYMBOL



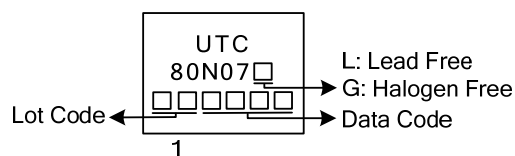
#### ORDERING INFORMATION

Ordering Number		Package	Pin Assignment			Packing
Lead Free	Halogen Free		1	2	3	
80N07L-TA3-T	80N07G-TA3-T	TO-220	G	D	S	Tube

Note: Pin Assignment: G: Gate D: Drain S: Source

<p>80N07L-TA3-T</p> <ul style="list-style-type: none"> <li>(1) Packing Type</li> <li>(2) Package Type</li> <li>(3) Green Package</li> </ul>	<ul style="list-style-type: none"> <li>(1) T: Tube</li> <li>(2) TA3: TO-220</li> <li>(3) L: Lead Free, G: Halogen Free and Lead Free</li> </ul>
---	---

#### MARKING



■ ABSOLUTE MAXIMUM RATINGS ( $T_c=25^\circ\text{C}$ , unless otherwise specified)

PARAMETER		SYMBOL	RATINGS	UNIT
Drain-Source Voltage		$V_{DSS}$	70	V
Gate-Source Voltage		$V_{GSS}$	$\pm 20$	V
Continuous Drain Current	Continuous	$I_D$	80	A
Pulsed Drain Current	Pulsed (Note 2)	$I_{DM}$	320	A
Avalanche Current (Note 3)		$I_{AR}$	10	A
Avalanche energy	Single Pulsed (Note 3)	$E_{AS}$	5.0	mJ
Peak Diode Recovery dv/dt (Note 4)		dv/dt	5.5	V/ns
Power Dissipation		$P_D$	230	W
Junction Temperature		$T_J$	+150	$^\circ\text{C}$
Storage Temperature Range		$T_{STG}$	-55 ~ +150	$^\circ\text{C}$

- Notes: 1. Absolute maximum ratings are those values beyond which the device could be permanently damaged. Absolute maximum ratings are stress ratings only and functional device operation is not implied.  
 2. Repetitive Rating: Pulse width limited by maximum junction temperature.  
 3.  $L=0.1\text{mH}$ ,  $I_{AS}=10\text{A}$ ,  $V_{DD}=50\text{V}$ ,  $R_G=25\Omega$ , Starting  $T_J = 25^\circ\text{C}$ .  
 4.  $I_{SD} \leq 30\text{A}$ ,  $di/dt \leq 200\text{A}/\mu\text{s}$ ,  $V_{DD} \leq V_{(BR)DSS}$ ,  $T_J = 25^\circ\text{C}$ .

■ THERMAL DATA

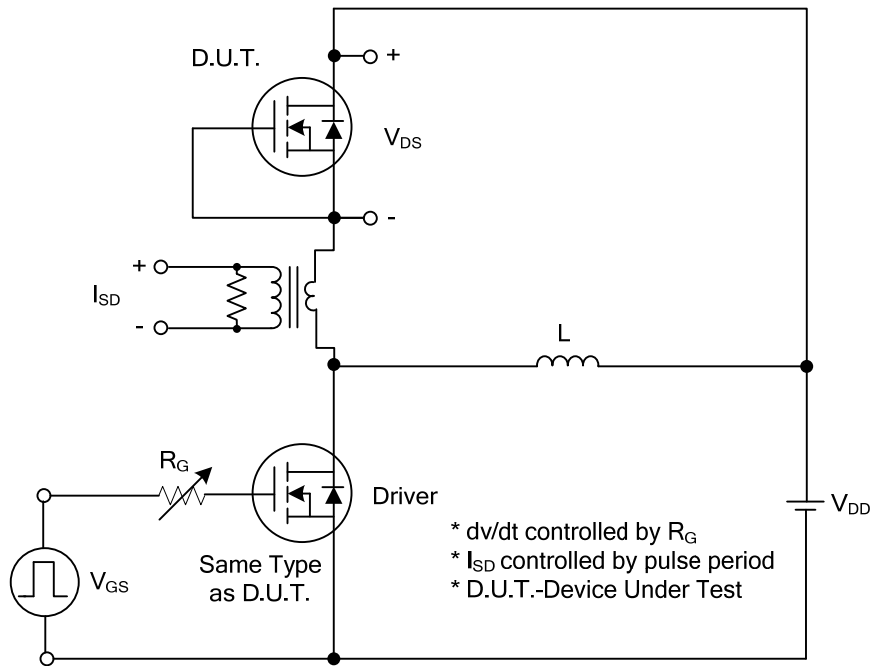
PARAMETER	SYMBOL	RATINGS	UNIT
Junction to Ambient	$\theta_{JA}$	62.5	$^\circ\text{C}/\text{W}$
Junction to Case	$\theta_{JC}$	0.54	$^\circ\text{C}/\text{W}$

■ ELECTRICAL CHARACTERISTICS ( $T_J = 25^\circ\text{C}$ , unless otherwise specified)

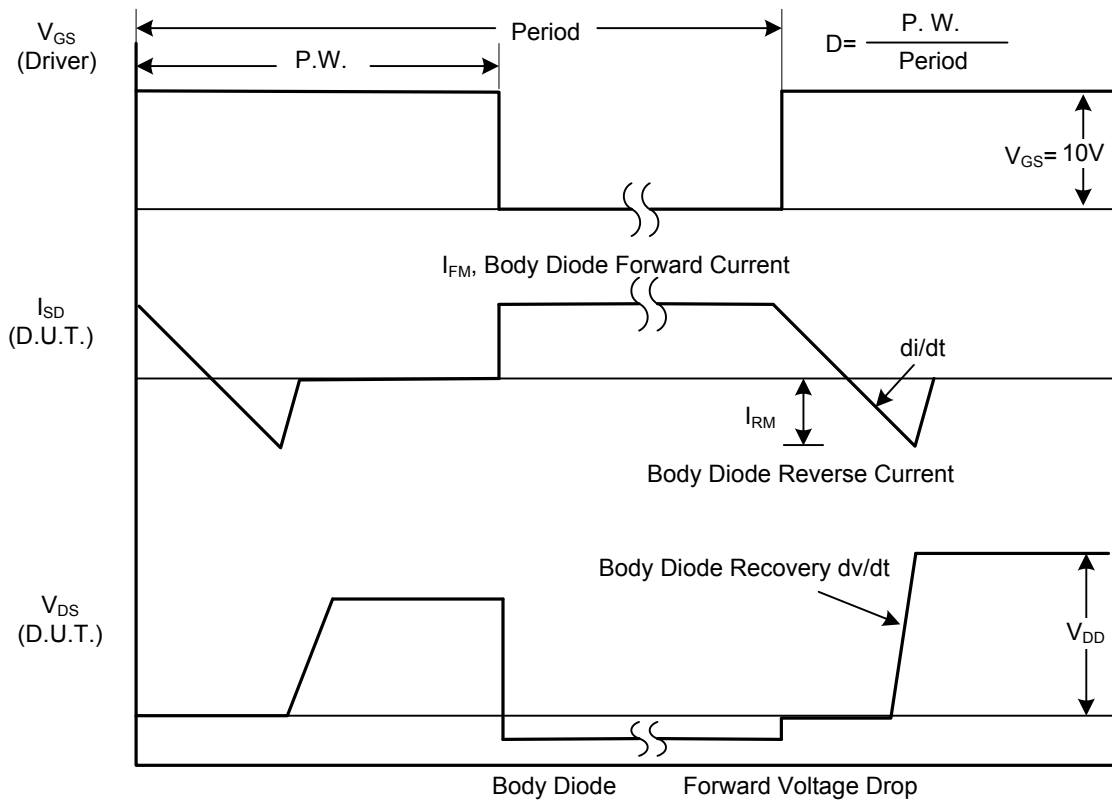
PARAMETER	SYMBOL	TEST CONDITIONS	MIN	TYP	MAX	UNIT
<b>OFF CHARACTERISTICS</b>						
Drain-Source Breakdown Voltage	$BV_{DSS}$	$I_D=250\mu\text{A}$ , $V_{GS}=0\text{V}$	70			V
Drain-Source Leakage Current	$I_{DSS}$	$V_{DS}=70\text{V}$ , $V_{GS}=0\text{V}$			1	$\mu\text{A}$
Gate-Source Leakage Current	$I_{GSS}$	$V_{DS}=0\text{V}$ , $V_{GS}=\pm 20\text{V}$			$\pm 100$	nA
<b>ON CHARACTERISTICS</b>						
Gate Threshold Voltage	$V_{GS(TH)}$	$V_{DS}=V_{GS}$ , $I_D=250\mu\text{A}$	2.0		4.0	V
Static Drain-Source On-State Resistance	$R_{DS(ON)}$	$V_{GS}=10\text{V}$ , $I_D=40\text{A}$			15	m $\Omega$
<b>DYNAMIC PARAMETERS</b>						
Input Capacitance	$C_{ISS}$	$V_{GS}=0\text{V}$ , $V_{DS}=25\text{V}$ , $f=1.0\text{MHz}$		5480		pF
Output Capacitance	$C_{OSS}$			405		pF
Reverse Transfer Capacitance	$C_{RSS}$			313		pF
<b>SWITCHING PARAMETERS</b>						
Total Gate Charge (Note 1)	$Q_G$	$V_{DS}=50\text{V}$ , $V_{GS}=10\text{V}$ , $I_D=1.3\text{A}$ , $I_D=100\mu\text{A}$ (Note 1, 2)		390		nC
Gate to Source Charge	$Q_{GS}$			64		nC
Gate to Drain Charge	$Q_{GD}$			90		nC
Turn-on Delay Time (Note 1)	$t_{D(ON)}$	$V_{DS}=30\text{V}$ , $V_{GS}=10\text{V}$ , $I_D=0.5\text{A}$ , $R_G=25\Omega$ (Note 1, 2)		334		ns
Rise Time	$t_R$			415		ns
Turn-off Delay Time	$t_{D(OFF)}$			880		ns
Fall-Time	$t_F$			370		ns
<b>SOURCE- DRAIN DIODE RATINGS AND CHARACTERISTICS</b>						
Maximum Body-Diode Continuous Current	$I_S$				80	A
Maximum Body-Diode Pulsed Current	$I_{SM}$				320	A
Drain-Source Diode Forward Voltage (Note 1)	$V_{SD}$	$I_S=80\text{A}$ , $V_{GS}=0\text{V}$			1.2	V
Reverse Recovery Time (Note 1)	$t_{rr}$	$I_S=30\text{A}$ , $V_{GS}=0\text{V}$ ,		60		ns
Reverse Recovery Charge	$Q_{rr}$	$dI_F/dt=100\text{A}/\mu\text{s}$		70		nC

- Notes: 1. Pulse Test : Pulse width  $\leq 300\mu\text{s}$ , Duty cycle  $\leq 2\%$ .  
 2. Essentially independent of operating temperature.

■ TEST CIRCUITS AND WAVEFORMS

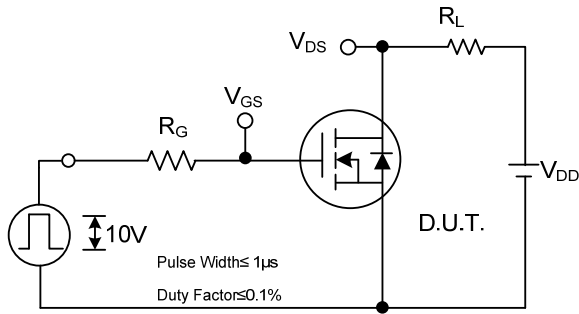


Peak Diode Recovery  $dv/dt$  Test Circuit

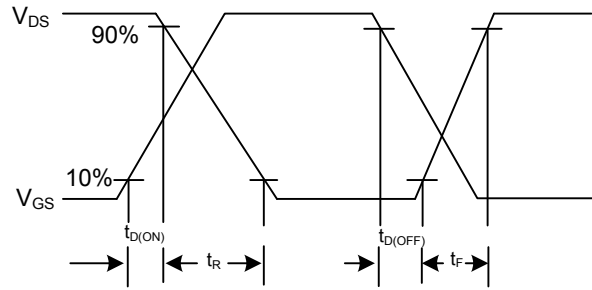


Peak Diode Recovery  $dv/dt$  Waveforms

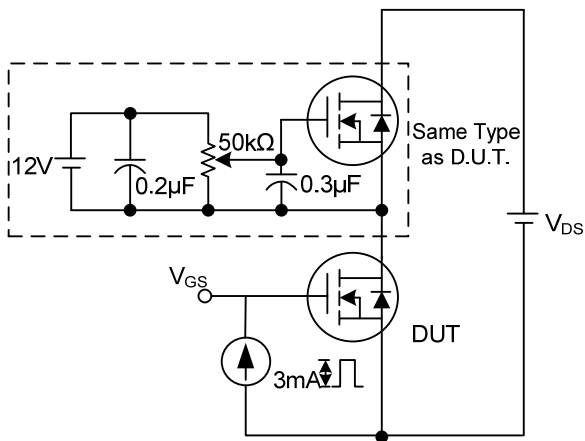
■ TEST CIRCUITS AND WAVEFORMS (Cont.)



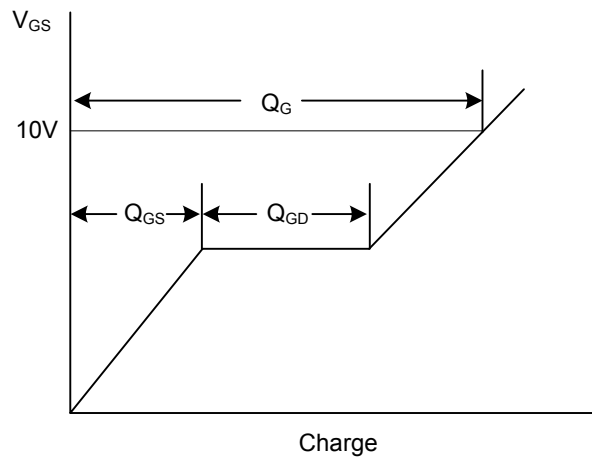
Switching Test Circuit



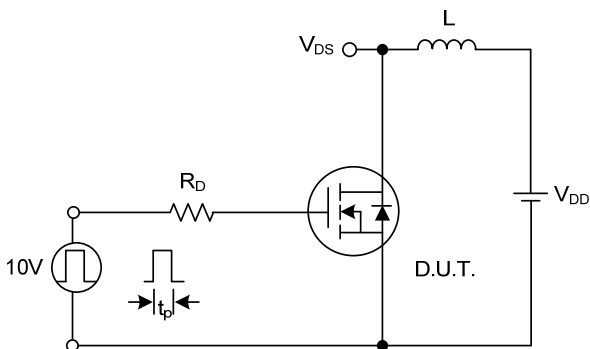
Switching Waveforms



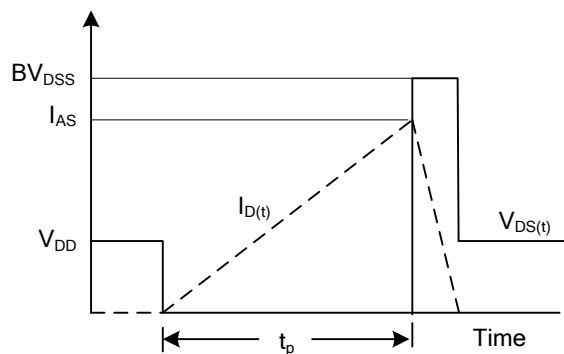
Gate Charge Test Circuit



Gate Charge Waveform



Unclamped Inductive Switching Test Circuit



Unclamped Inductive Switching Waveforms

UTC assumes no responsibility for equipment failures that result from using products at values that exceed, even momentarily, rated values (such as maximum ratings, operating condition ranges, or other parameters) listed in products specifications of any and all UTC products described or contained herein. UTC products are not designed for use in life support appliances, devices or systems where malfunction of these products can be reasonably expected to result in personal injury. Reproduction in whole or in part is prohibited without the prior written consent of the copyright owner. The information presented in this document does not form part of any quotation or contract, is believed to be accurate and reliable and may be changed without notice.