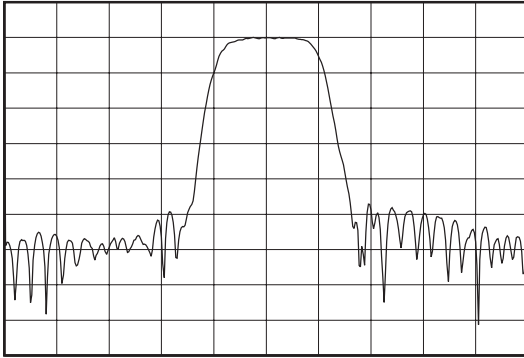
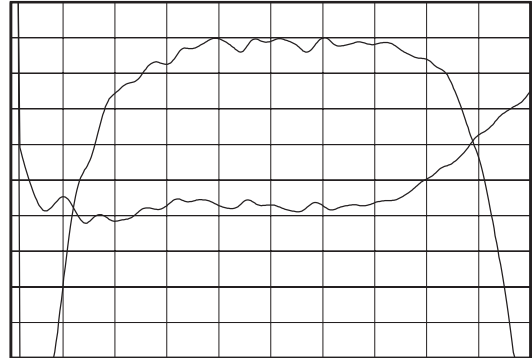


Data Sheet

Typical Performance



Horizontal: 1.5 MHz/Div
Vertical: 10 dB/Div

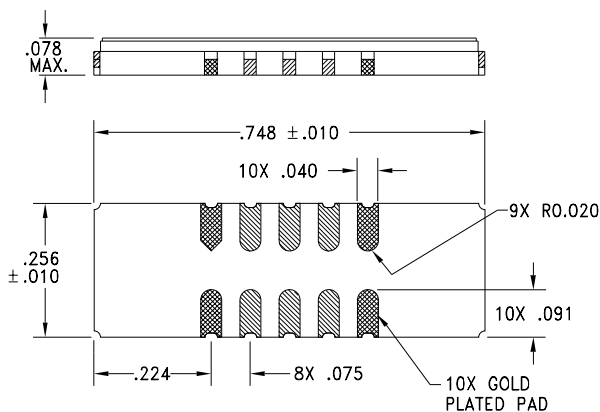


Horizontal: 350 kHz/Div
Vertical: 1 dB/Div
Vertical: 10 deg/Div

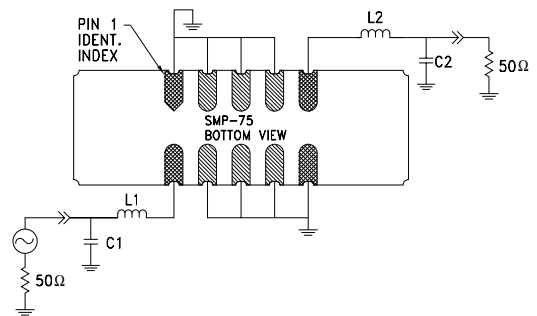
Specifications

| Parameter | Unit | Minimum | Typical | Maximum |
|---|--------|---------|--------------------|---------|
| Center Frequency | MHz | 69.88 | 70 | 70.12 |
| Insertion Loss at F_0 | dB | - | 8.75 | 9.25 |
| 1 dB Bandwidth | MHz | 2 | 2.2 | - |
| 3 dB Bandwidth | MHz | 2.5 | 2.59 | - |
| 40 dB Bandwidth | MHz | - | 4.6 | 5.1 |
| Passband Ripple | dB | - | 0.65 | 1 |
| Phase Linearity (70% of 3 dB Bandwidth) | deg | - | 5.65 | 9 |
| Group Delay Variation (70% of 3 dB Bandwidth) | nsec | - | 240 | 400 |
| Absolute Delay | usec | - | 2.22 | - |
| Substrate Material | - | - | LiTaO ₃ | - |
| Temperature Coefficient | ppm/°C | - | -23 | - |
| Ambient Temperature | °C | - | 25 | - |

Package Outline



Matching Configuration



L1 = 150nH, L2 = 150nH
C1 = 100pF, C2 = 47pF
Nominal Source/Load Impedance = 50Ω
Package Style SMP-75

11/24/99