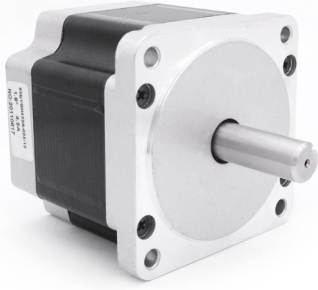


85HS

HYBRID STEPPING MOTOR



General Specifications

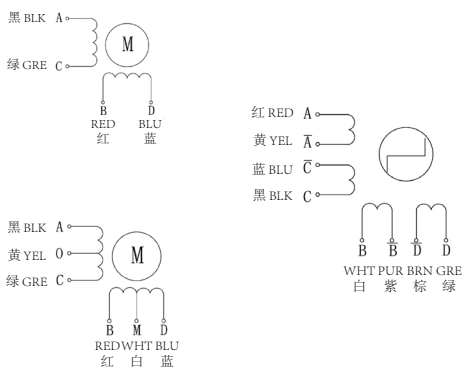
Step Accuracy	± 5%
Temperature Rise	80 °C Max
Insulation Resistance	100MΩ Min.500VC DC
Ambient Temperature	-20°C~+50°C
Dielectric Strength	500VAC 1 minute
Max Radial Force	220N (20mm from front flange)
Max Axial Force	60N

Technical Specifications

Model	Step Angle (°/Step)	Lead Wire (NO.)	Voltage (V)	Current (A/Phase)	Resistance (Ω/Phase)	Inductance (mH/Phase)	Holding Torque (N.m)	Motor Height L (mm)	Motor Weight (Kg)
85HS68-1404-001	1.8	4	5.6	1.4	4.0	24.0	2.8	68	1.8
85HS68-4004-001		4	2.4	4.0	0.6	2.8	2.8	68	1.8
85HS80-4208-001-02		8	4.6	2.97	1.55	6.76	3.2	80	2.3
85HS80-5504-001-06		4	1.6	4.0	0.4	3.5	3.0	80	2.3
85HS97-3008-001		8	1.8	3.0	1.6	8.0	5.0	97	2.8
85HS97-4006-001		6	3.4	4.0	1.0	5.0	4.4	97	2.8
85HS116-4208-001		8	5.0	4.2	1.2	6.5	6.0	116	3.6
85HS116-5004-001		4	5.0	5.0	0.9	11.0	8.5	116	3.6
85HS126-4008-001		8	6.0	4.0	1.5	8.0	6.8	126	3.8
85HS126-6408-001		8	1.53	6.4	0.536	2.86	6.2	126	3.8
85HS131-3004-001		4	5.1	3.0	1.7	18.0	9.0	131	4.2
85HS131-7004-001		4	2.8	7.0	0.4	4.0	9.0	131	4.2
85HS155-5004-001		4	4.0	5.0	0.8	10.0	11.0	155	5.0
85HS155-6504-001		4	3.9	6.5	0.6	7.0	10.0	155	5.0

* Products can be customized by special request.

Wiring Diagram



Mechanical Dimension

