

ISSUE 9; April 2016

### Description

- Industry standard SMD package with 5.5mm lead spacing
- Suitable for real time clock applications
- Plastic encapsulated

### Frequency Parameters

- Frequency 32.768kHz
- Frequency Tolerance  $\pm 20.00\text{ppm}$
- Ageing  $\pm 5\text{ppm max per year @ } 25^\circ\text{C}$

### Electrical Parameters

- Load Capacitance (CL) 6.0pF to 12.5pF
- Shunt Capacitance (C0) 1pF typ
- Drive Level 1.0 $\mu\text{W max}$

### Operating Temperature Ranges

- 40 to 85°C

### Environmental Parameters

- Storage Temperature Range: -55 to 125°C
- Drop: 75cm drop (3 times) onto hard wooden board
- Vibration: 1.5mm amplitude, 10Hz-60Hz, 2-3mins in 3 mutually perpendicular planes, duration 2hrs each plane

### Manufacturing Details

- Not suitable for use with ultrasonic cleaning techniques

### Ordering Information

- Frequency\*
- Model\*
- Frequency Tolerance (@25°C)\*
- Load Capacitance\*
- Example  
32.768kHz 85SMX  
20/-/12.5

### Compliance

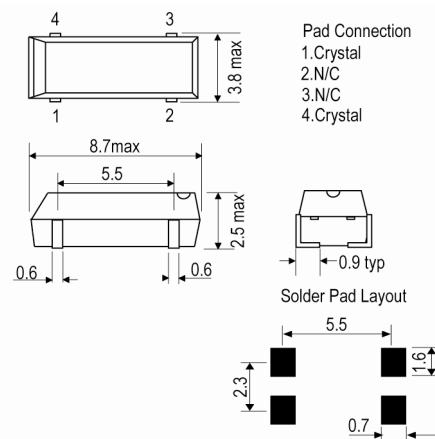
- RoHS Status (2011/65/EU) Compliant
- REACH Status Compliant
- MSL Rating (JDEC-STD-033): Not Applicable

### Packaging Details

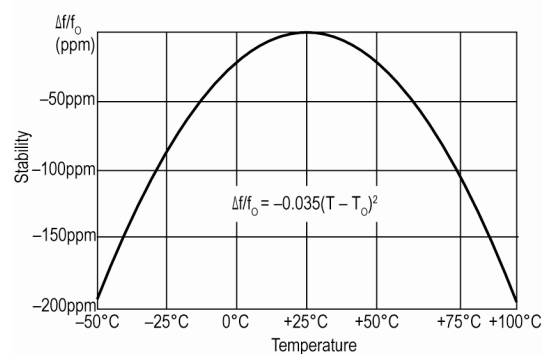
- Pack Style: Reel Tape & reel in accordance with EIA-481-D  
Pack Size: 3,000
- Pack Style: Cutt In tape, cut from a reel  
Pack Size: 1
- Pack Style: Bulk Loose in bulk pack  
Pack Size: 100



### Outline (mm)



### Typical Frequency Stability Characteristics



### Sales Office Contact Details:

UK: +44 (0)1460 270200  
Germany: 0800 1808 443

France: 0800 901 383  
USA: +1.760.318.2824

Email: [info@iqdfrequencyproducts.com](mailto:info@iqdfrequencyproducts.com)  
Web: [www.iqdfrequencyproducts.com](http://www.iqdfrequencyproducts.com)

**Electrical Specification - maximum limiting values**

Frequency	Temperature Range	Stability	Over Tone Order	ESR
	°C	ppm		Ω
32.768000kHz	-40 to 85	-	Fundamental	50,000

**Sales Office Contact Details:**UK: +44 (0)1460 270200  
Germany: 0800 1808 443France: 0800 901 383  
USA: +1.760.318.2824Email: [info@iqdfrequencyproducts.com](mailto:info@iqdfrequencyproducts.com)  
Web: [www.iqdfrequencyproducts.com](http://www.iqdfrequencyproducts.com)