

## 85SMX Crystals

ISSUE 4; 24 SEPTEMBER 2004

### Delivery Options

- Please contact our sales office for current leadtimes

### Holder Style

- 85SMX surface mount crystals are plastic encapsulated

### General Specifications

- Load Capacitance ( $C_L$ ): 6pF and 12.5pF standard
- Drive Level: 1.0 $\mu$ W max

### Packaging

- 85SMX surface mount crystals are available packaged individually or on tape and reel

### Standard Frequency Tolerance

- $\pm 20$ ppm

### Operating Temperature Ranges

- -20 to 70°C
- -40 to 85°C

### Storage Temperature Range

- -55 to 125°C

### Solder Condition

- For typical soldering conditions, please see the relevant page in Application Notes

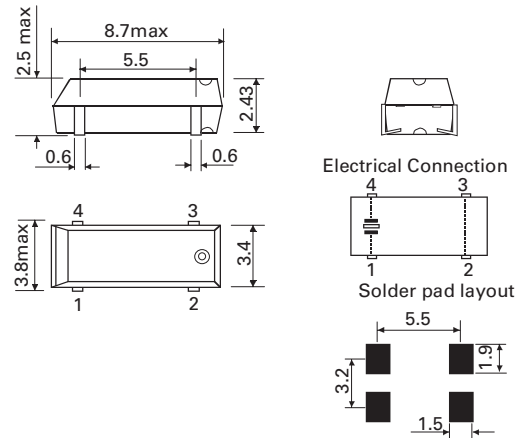
### Marking

- Includes Frequency

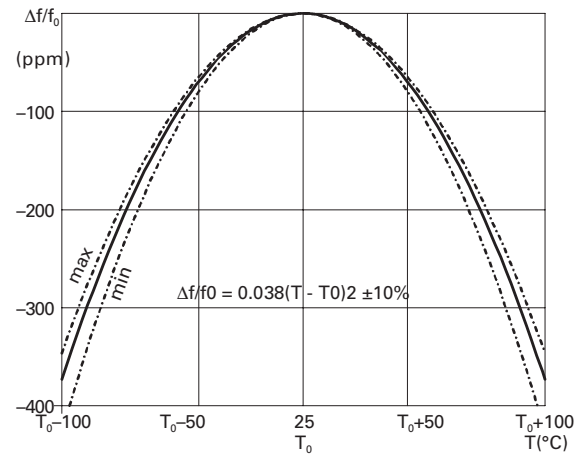
### Minimum Order Information Required

- Frequency + Holder + Frequency Tolerance @ 25°C + Operating Temperature Range + Circuit Condition

### Outline in mm - 85SMX



### Frequency Temperature Curve



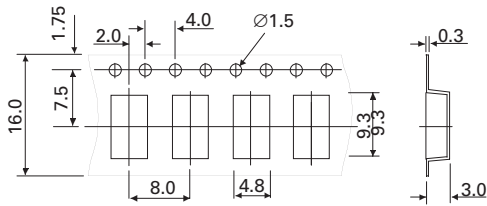


**Electrical Specification – maximum limiting values**

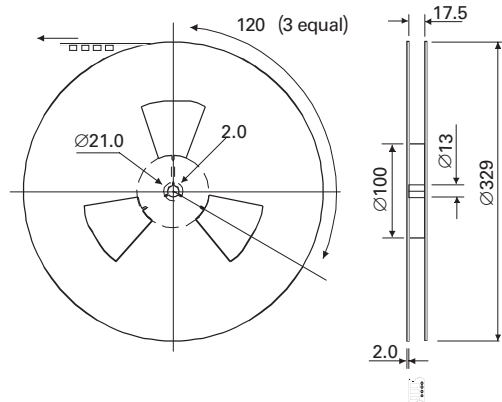
Frequency Range	Frequency Tolerance @ 25°C ±2°C	Operating Temperature Range	Frequency Stability	ESR max.	Vibration Mode
32.768kHz only	±20ppm to ±100ppm	-20 to 70°C	-80ppm	55kΩ	Fundamental X cut
		-40 to 85°C	-160ppm		

SURFACE MOUNT QUARTZ CRYSTALS

**Outline in mm - Tape**



**Outline in mm - Reel**



Europe Tel: +44 (0)1460 270200 Fax: +44 (0)1460 72578  
 Americas Tel: +1 919 941 9333 Fax: +1 919 941 9371  
 Asia Tel: +86 755 8826 5991 Fax: +86 755 8826 5990

Website: [www.cmac.com](http://www.cmac.com)