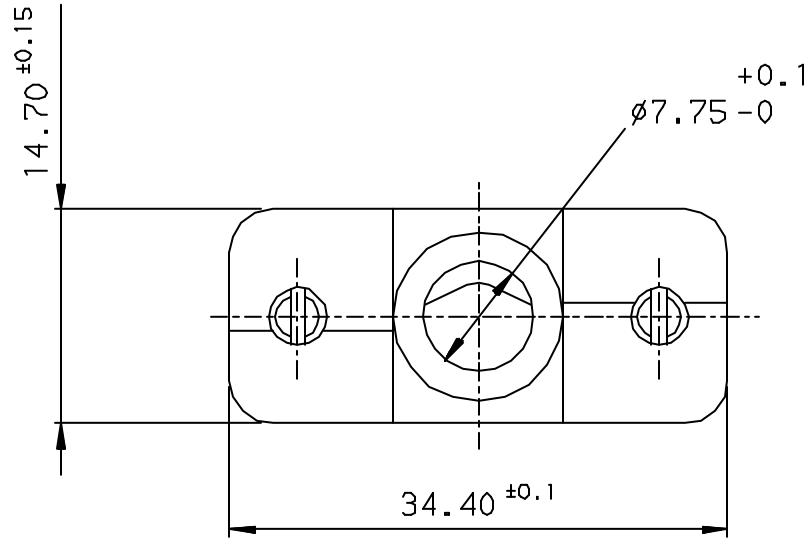
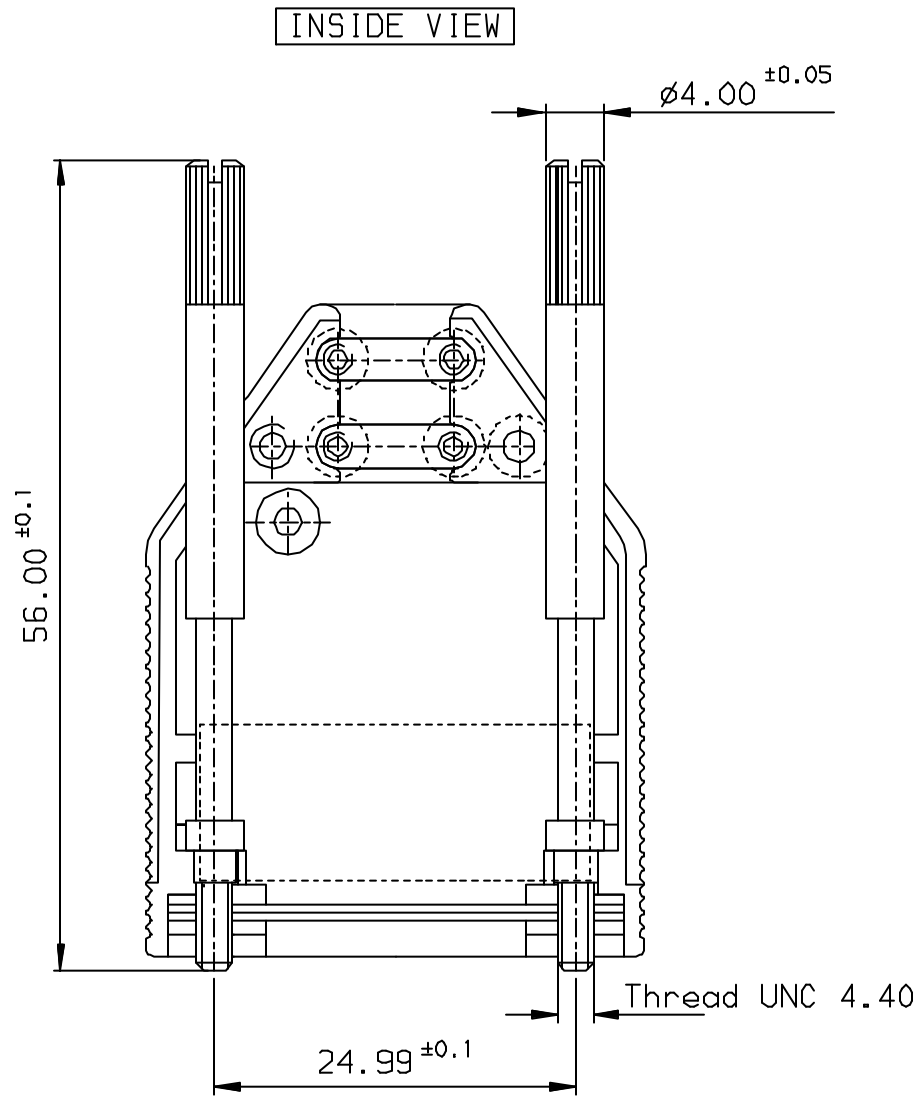
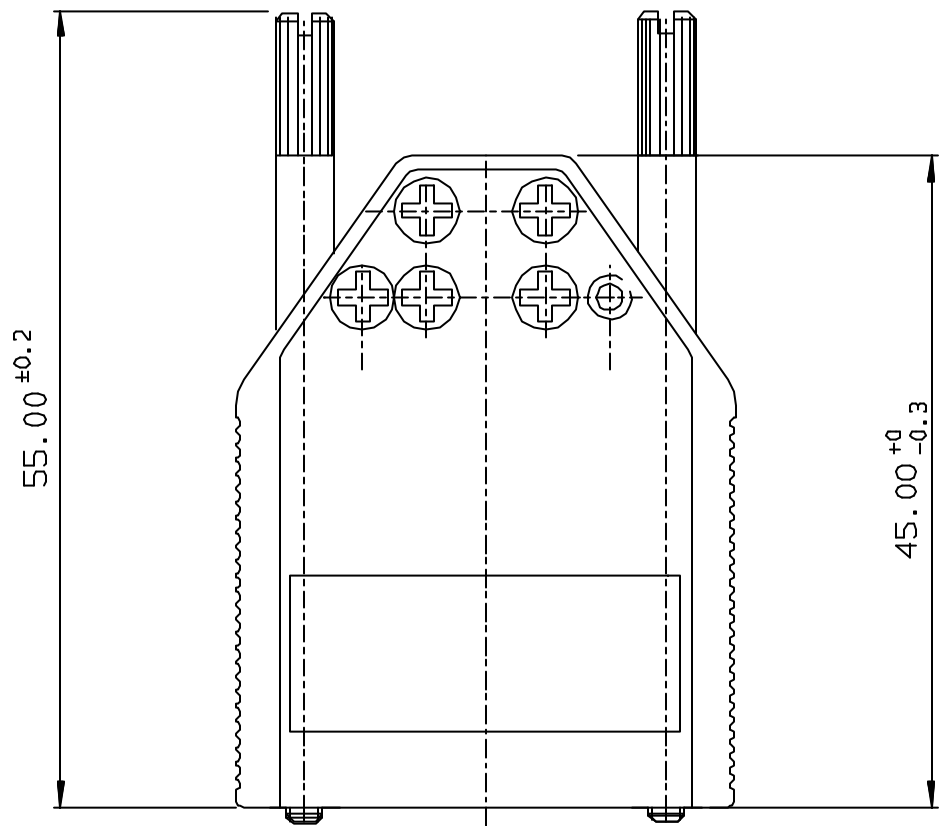


Tous droits strictement réservés. Reproduction ou communication à des tiers interdite sous quelque forme que ce soit sans autorisation écrite du propriétaire de FCI. Droits de reproduction FCI.

FCI

All rights strictly reserved. Reproduction or issue to third parties in any form whatsoever is not permitted without written authority from the proprietor. Property of FCI. Copyright FCI.



| | | |
|-------------|------------|------------------------|
| Core range | | |
| PART NUMBER | 8655MH0911 | PACKAGING: per 1 piece |

FOR STANDARD AND APPLICATION SPECIFIC PART NUMBER SEE SHEET 2.

European view

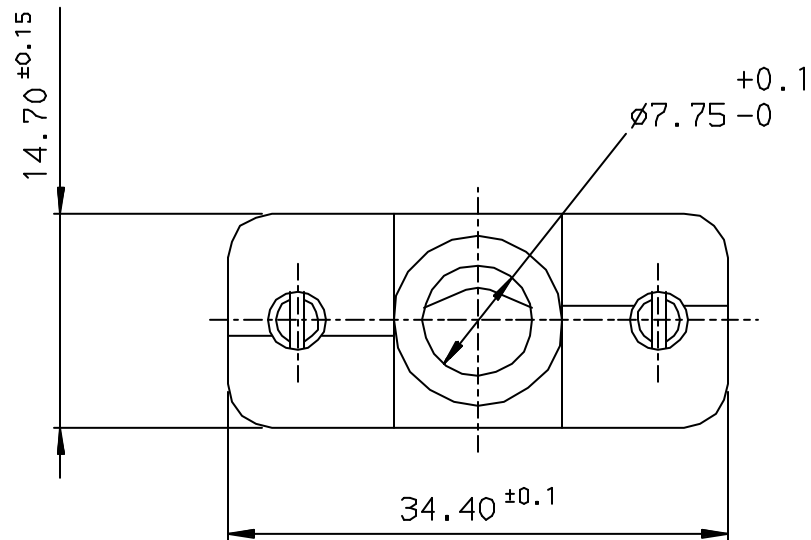
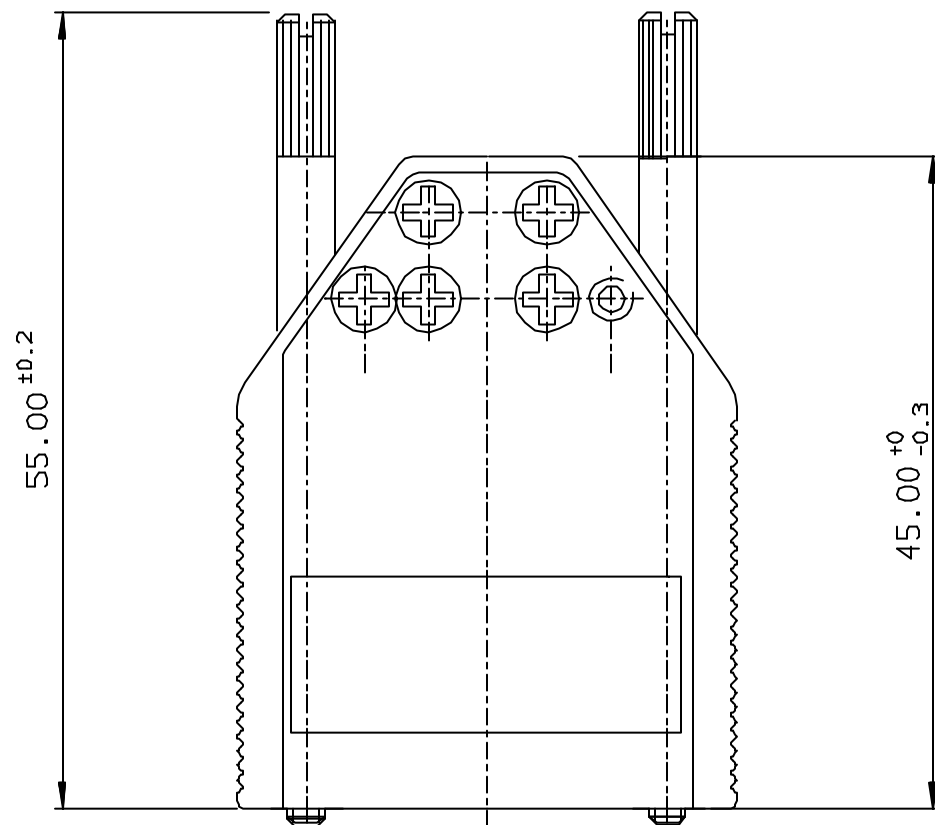
| Ltr | ecn no | dr | date |
|-----|-----------|-----|----------|
| C | - | JAR | 13/08/02 |
| D | LS05-0026 | MPE | 08/07/05 |
| E | LS05-0084 | MPE | 29/09/05 |
| - | - | - | - |
| - | - | - | - |
| - | - | - | - |
| - | - | - | - |

| | | | | | | | | |
|---|--------------------|--------|----------|----------------------------------|----------------|--------|-----------------|-----------------|
| FCI | www.fciconnect.com | | 150 1302 | tolerance ISO 406 ISO 1101 | projection | mm | | |
| | Dr | JARRY | | | | | 05/03/92 | Product family |
| | Eng | PESSON | 05/03/92 | Spec ref | - | size | A3 | |
| | Chr | LEGARE | 05/03/92 | Material | SEE NOTES | ECN | LS05-0084 | |
| | Appr | LEGARE | 05/03/92 | | | | Scale | 2 |
| title | | | | | | | Rev. | E |
| SHIELDED HOODS - TWO PARTS HOODS (Shell size 09) | | | | | | | part no | C01-8655-0625-1 |
| catalog no | | | | | | | - CUSTOMER COPY | sheet 1 of 1 |

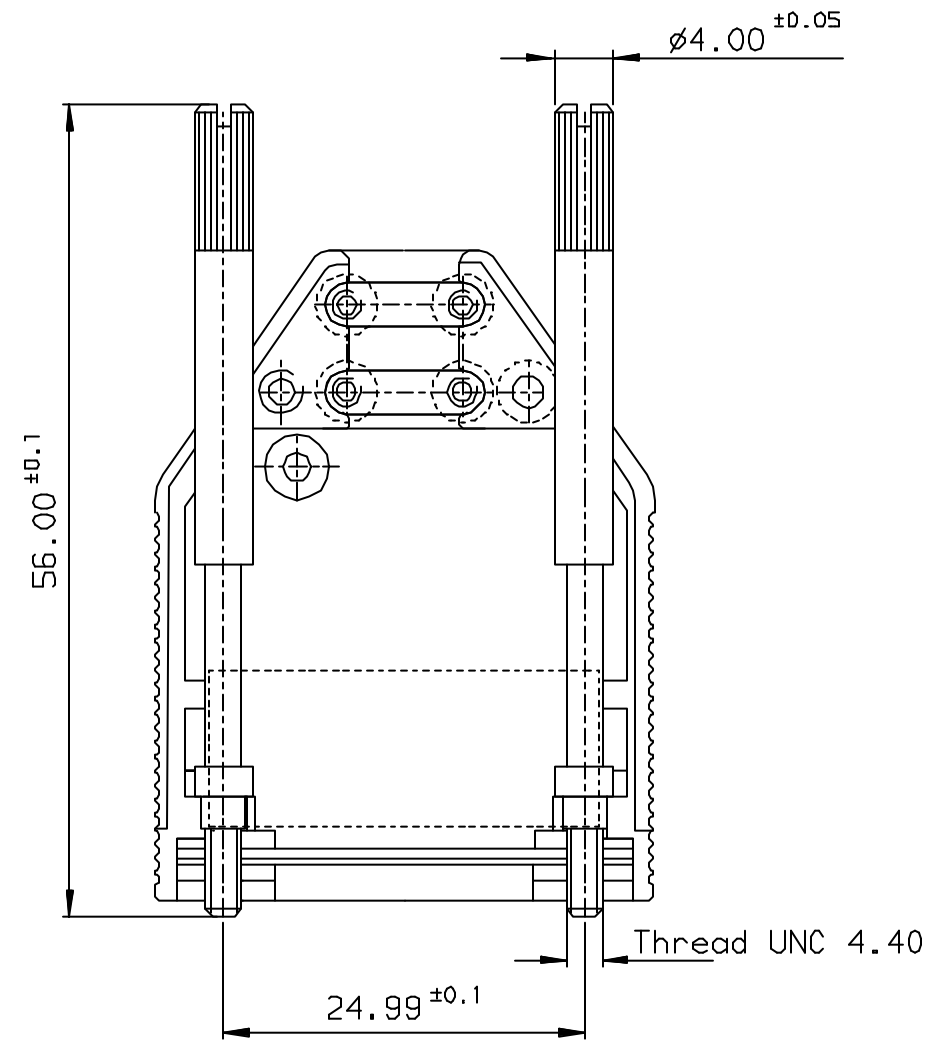
Tous droits strictement réservés. Reproduction ou communication à des tiers interdite sans que/que forme que ce soit sans autorisation écrite du propriétaire. Propriété de FCI. Droits de reproduction FCI.

FCI

All rights strictly reserved. Reproduction or issue to third parties in any form whatever is not permitted without written authority from the proprietor. Property of FCI. Copyright FCI.



INSIDE VIEW



| | | |
|-------------|------------|--------------------------|
| Pull Parts | | |
| PART NUMBER | 8655MH0901 | PACKAGING: per 80 pieces |

European view

| | | | | | | | | | | |
|------------|--------------------|-------|----------|----------------------------------|----------------|----------|----------------------------------|-----------|-----------------|-----------|
| FCI | www.fciconnect.com | | 150 1302 | tolerance 150 406 150 1101 | projection | mm | | | | |
| | Dr | JARRY | 05/03/92 | Product family | D-SUB | size | A3 | Scale | 2 | |
| C | - | JAR | 13/08/02 | Eng | PESSON | 05/03/92 | Spec ref | - | ECN | LS05-0084 |
| D | LS05-0026 | MPE | 08/07/05 | Chr | LEGARE | 05/03/92 | Material | SEE NOTES | | |
| E | LS05-0084 | MPE | 29/09/05 | Appr | LEGARE | 05/03/92 | | | | |
| title | | | | | | | SHIELDED HOODS - TWO PARTS HOODS | Rev. | E | |
| catalog no | | | | | | | (Shell size 09) | 01 | C01-8655-0625-2 | |
| | | | | | | | - CUSTOMER COPY | sheet | 1 of 1 | |