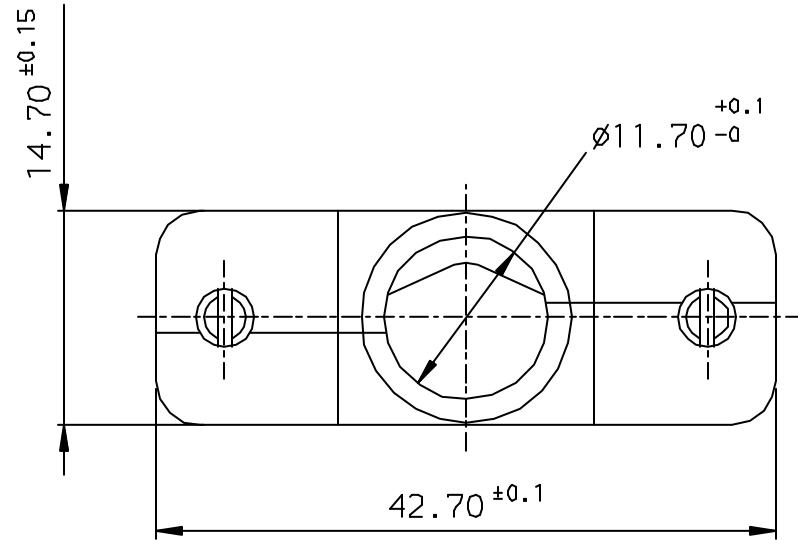
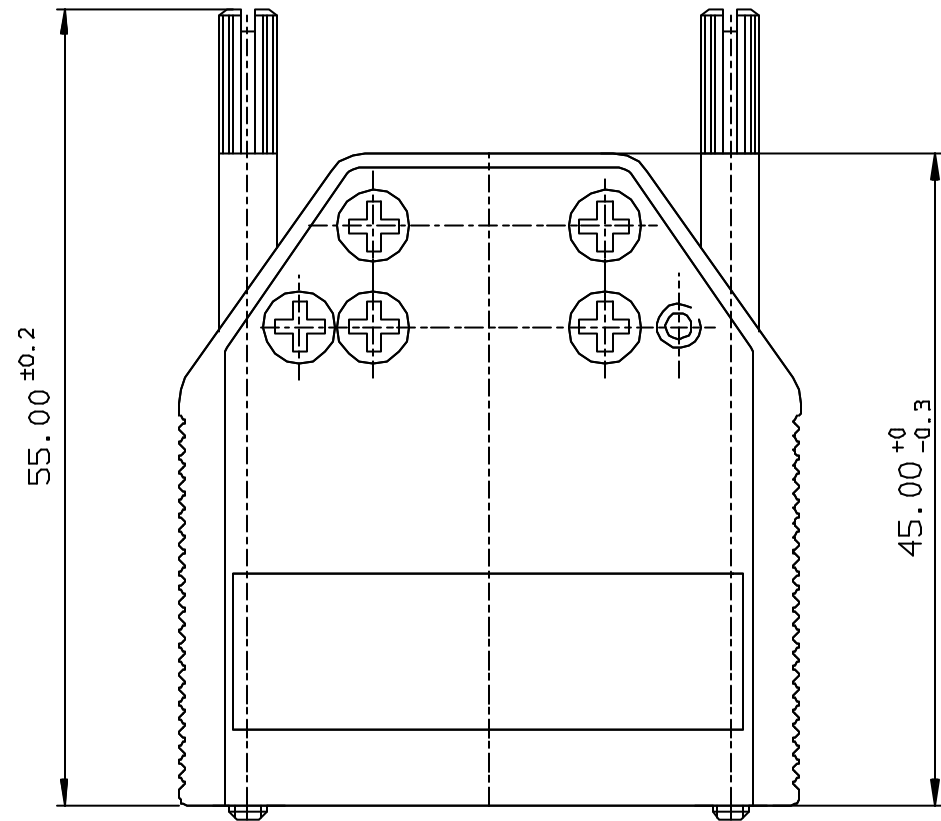


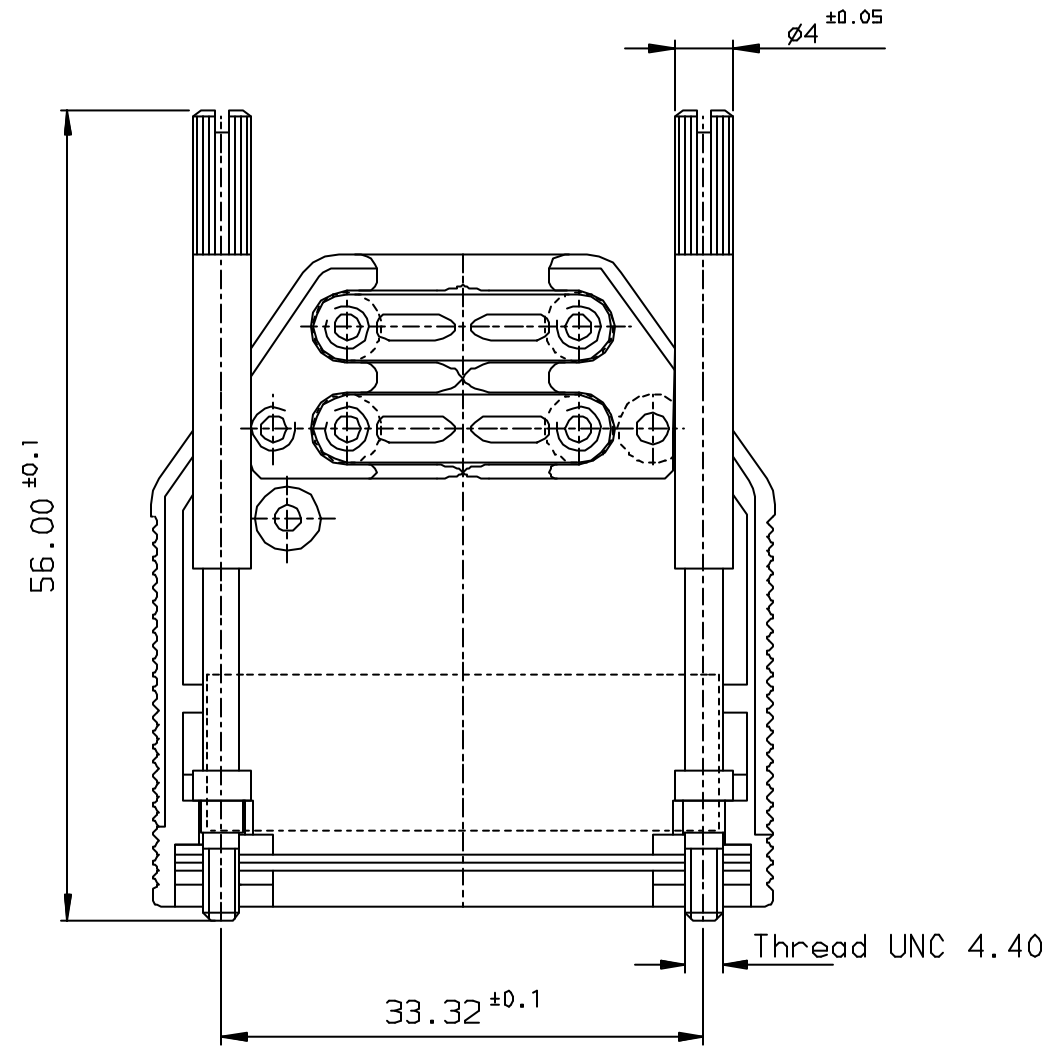
Tous droits strictement réservés. Reproduction ou communication à des tiers interdite sous quelque forme que ce soit sans autorisation écrite du propriétaire. Propriété de FCI. Droits de reproduction FCI.

FCI

All rights strictly reserved. Reproduction or issue to third parties in any form whatever is not permitted without written authority from the proprietor. Property of FCI. Copyright FCI.



INSIDE VIEW



Core range		
PART NUMBER	8655MH1511	PACKAGING: per 1 piece

FOR STANDARD AND APPLICATION SPECIFIC PART NUMBER SEE SHEET 2.

European view

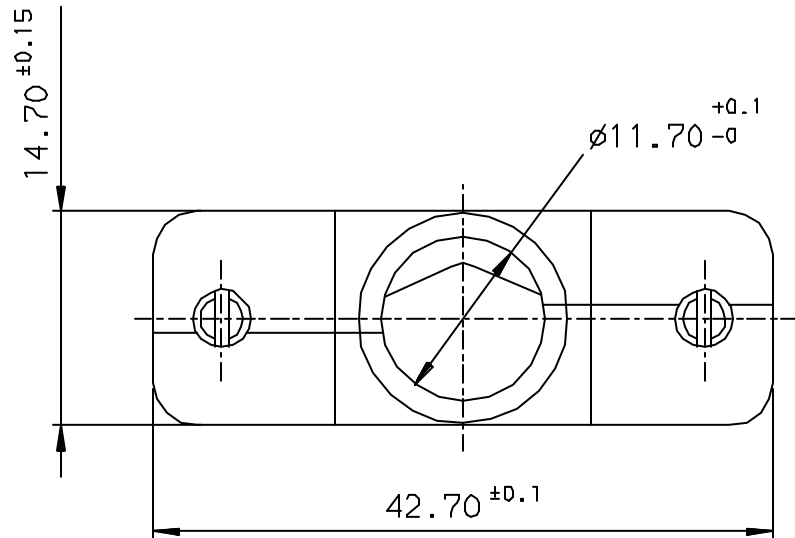
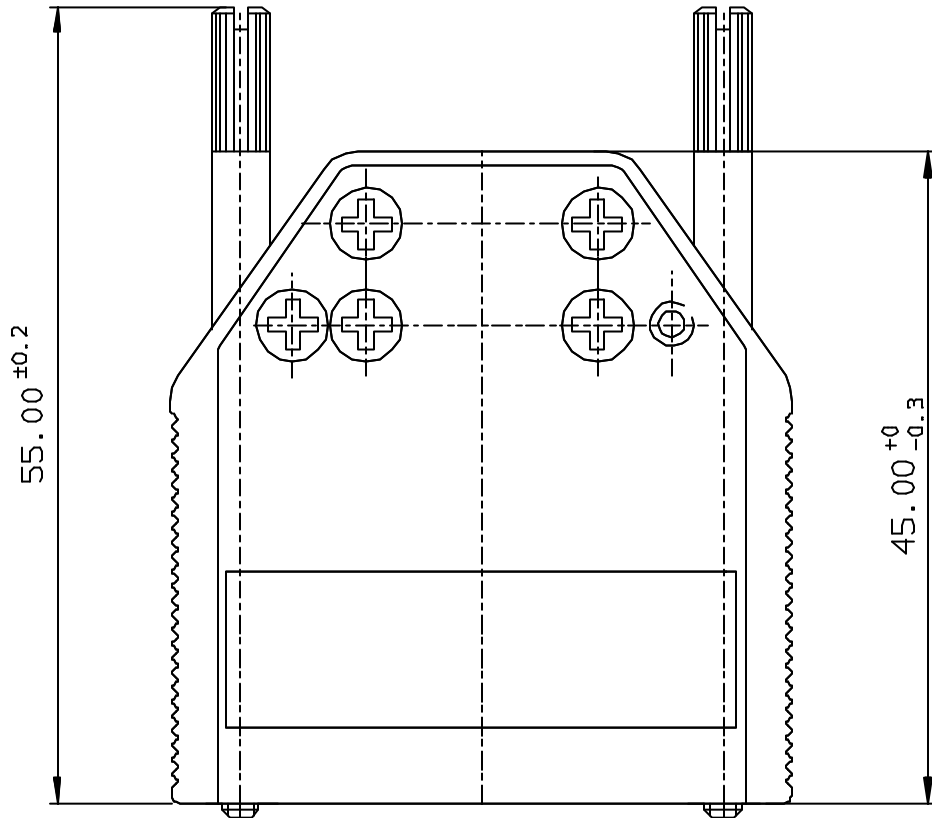
Ltr	ecn no	dr	date
D	-	JAR	12/08/02
E	LS05-0026	MPE	08/07/05
F	LS05-0084	MPE	29/09/05
-	-	-	-
-	-	-	-
-	-	-	-

FCI www.fciconnect.com		150 1302	tolerance 150 406 150 1101	projection 	mm
Dr	JARRY	02/09/91	Product family	D-SUB	size
Eng	PESSON	02/09/91	Spec ref	-	A3
Chr	LEGARE	02/09/91	Material	SEE NOTES	ECN
Appr	LEGARE	02/09/91			LS05-0084
title					Scale
SHIELDED HOODS - TWO PARTS HOODS (Shell size 15)					2
catalog no					Rev.
- CUSTOMER COPY					F
					sheet 1 of 1

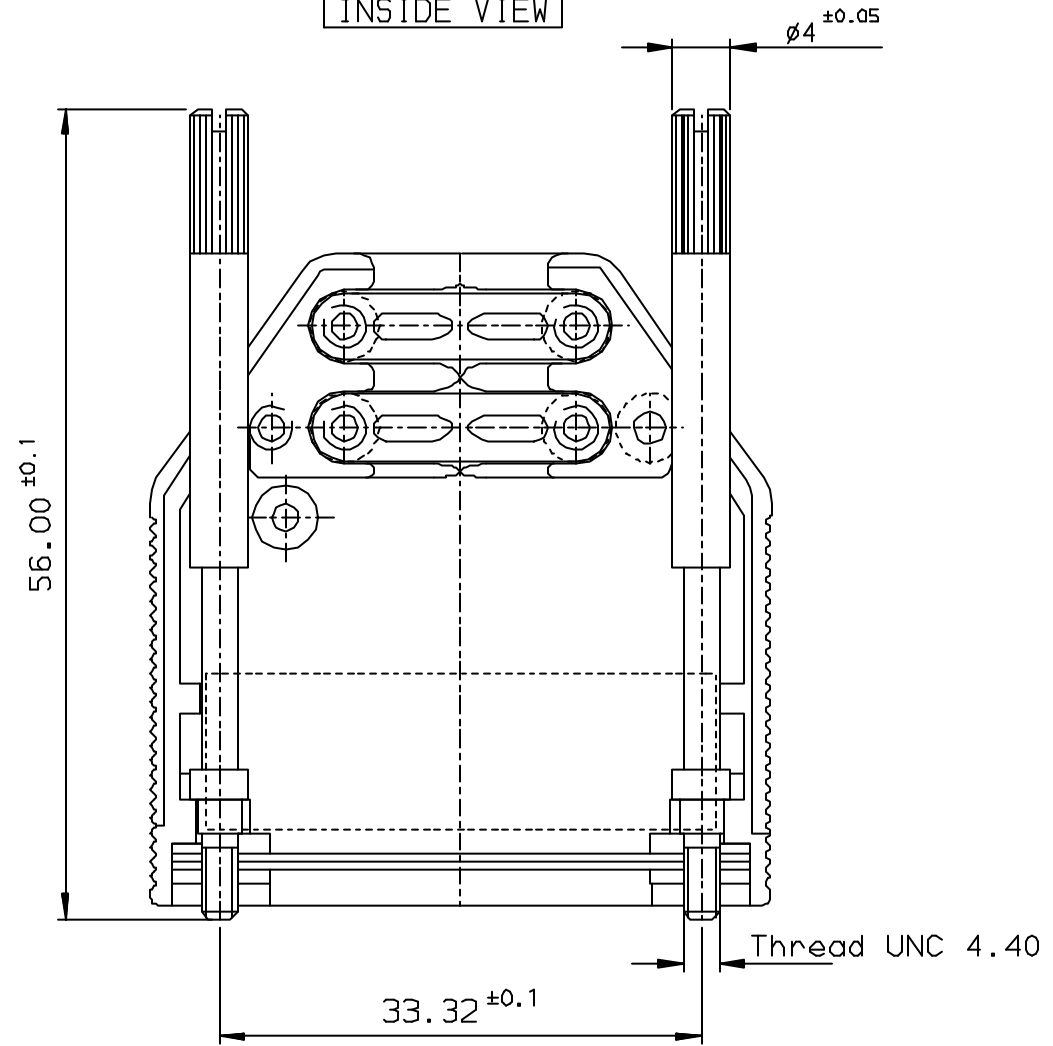
Tous droits strictement réservés. Reproduction ou communication à des tiers interdite sous quelque forme que ce soit sans autorisation écrite du propriétaire. Propriété de FCI. Droits de reproduction FCI.

FCI

All rights strictly reserved. Reproduction or issue to third parties in any form whatever is not permitted without written authority from the proprietor. Property of FCI. Copyright FCI.



INSIDE VIEW



Pull Parts		
PART NUMBER	8655MH1501	PACKAGING: per 80 pieces

European view

FCI	www.fciconnect.com		150 1302	tolerance 150 406 150 1101	projection 	mm 				
	Dr	JARRY	02/09/91	Product family	D-SUB	size	A3	Scale	2	
	Eng	PESSON	02/09/91	Spec ref	-	ECN	LS05-0084			
	Chr	LEGARE	02/09/91	Material	SEE NOTES					
	Appr	LEGARE	02/09/91							
				title			SHIELDED HOODS - TWO PARTS HOODS		Rev.	F
				catalog no			- CUSTOMER COPY		sheet 1 of 1	
				title			C01-8655-0626-2			

Ltr	ecn no	dr	date
D	-	JAR	12/08/02
E	LS05-0026	MPE	08/07/05
F	LS05-0084	MPE	29/09/05
-	-	-	-
-	-	-	-
-	-	-	-
-	-	-	-