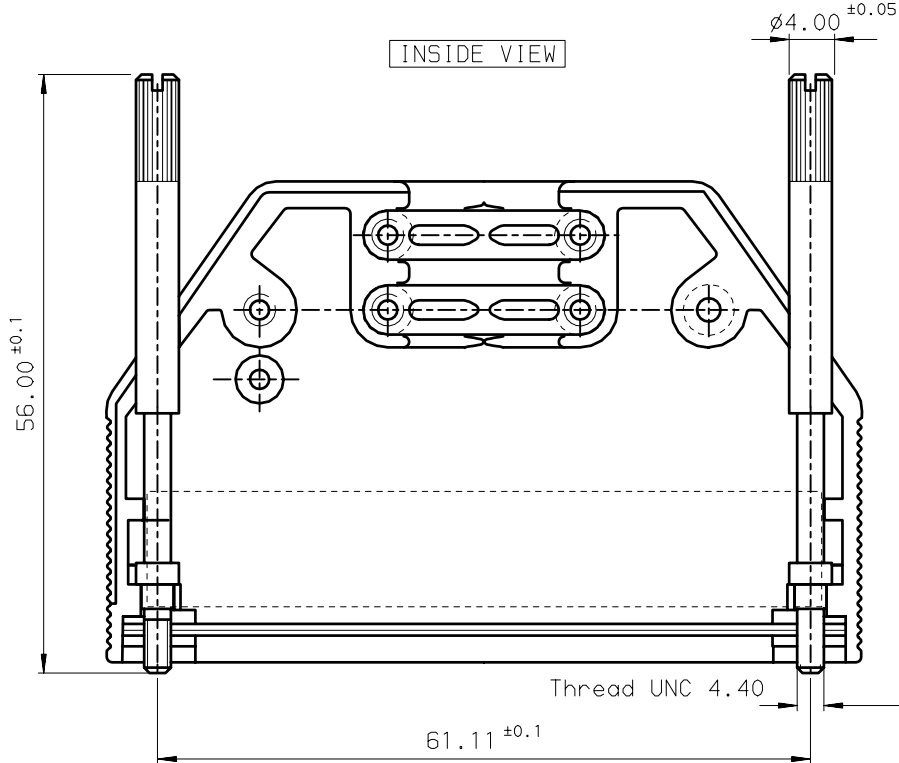
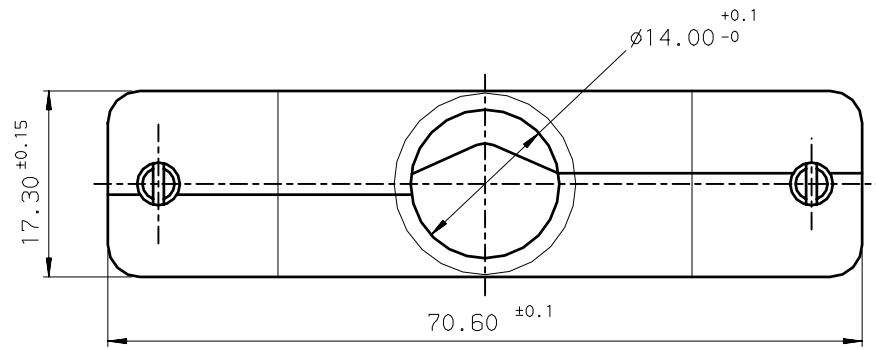
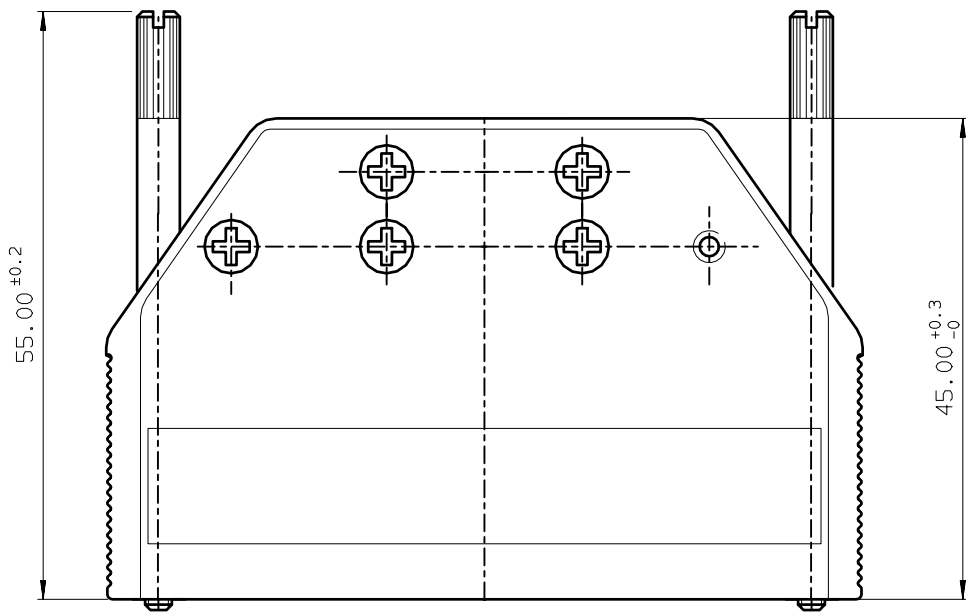


Tous droits strictement réservés. Reproduction ou communication a des tiers interdite sous quelque forme que ce soit sans autorisation écrite du propriétaire. Propriété de c FCI. Droits de reproduction FCI.



ALL rights strictly reserved. Reproduction or issue to third parties in any form whatever is not permitted without written authority from the proprietor. Property of FCI. Copyright FCI.

www.DataSheet4U.com



Core range		
PART NUMBER	8655MH5011	PACKAGING: per 1 piece

FOR STANDARD AND APPLICATION SPECIFIC PART NUMBER SEE SHEET 2.

www.fciconnect.com		ISO 1302	tolerance ISO 406 ISO 1101	projection 	mm 
Dr	JARRY	05/03/92	Product family	D-SUB	size
Eng	PESSON	05/03/92	Spec ref	-	A3
Chr	LEGARE	05/03/92	Material	SEE NOTES	ECN
Appr	LEGARE	05/03/92			L505-0084
title					Rev.
SHIELDED HOODS - TWO PARTS HOODS (Shell size 50)					E
catalog no					dwg no
- CUSTOMER COPY					C01-8655-0629-1
					sheet 1 of 2

ltr	ecn no	dr	date
C	-	BAR	15/04/03
D	L505-0026	MPE	08/07/05
E	L505-0084	MPE	29/09/05
-	-	-	-
-	-	-	-
-	-	-	-
-	-	-	-

www.DataSheet4U.com

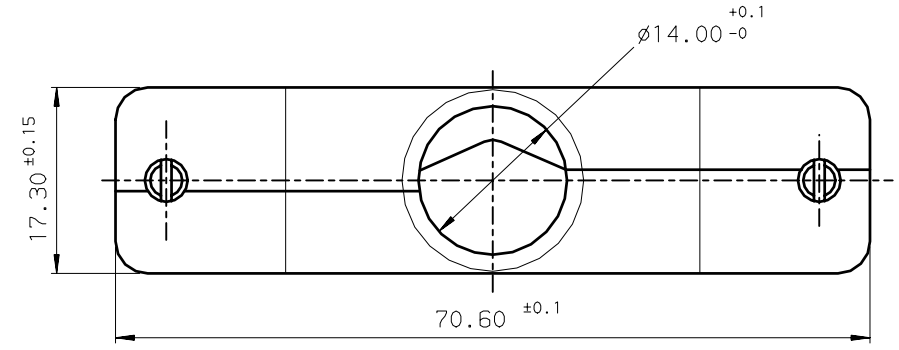
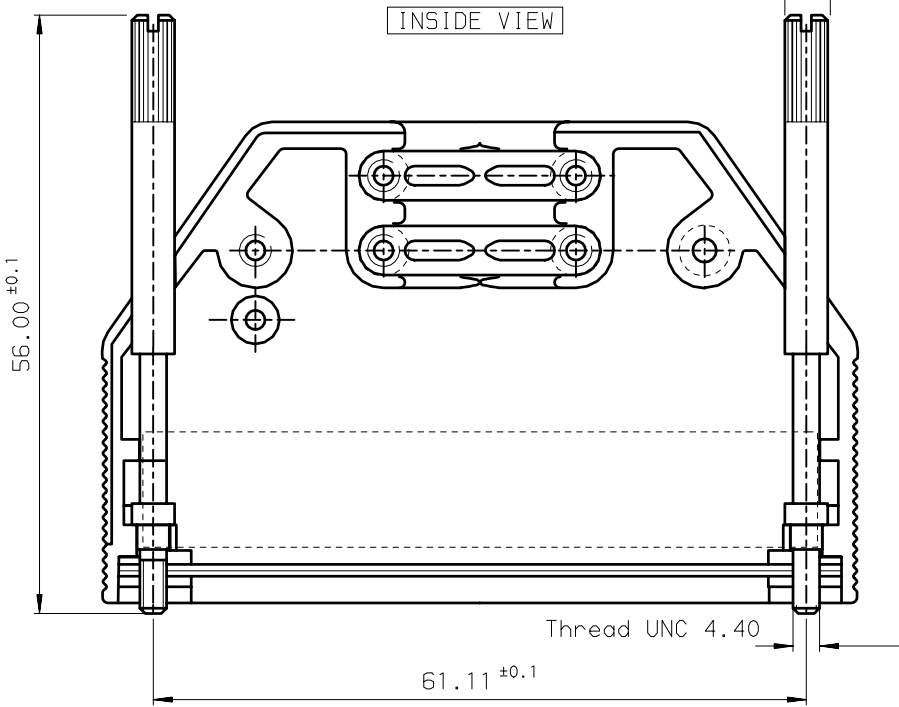
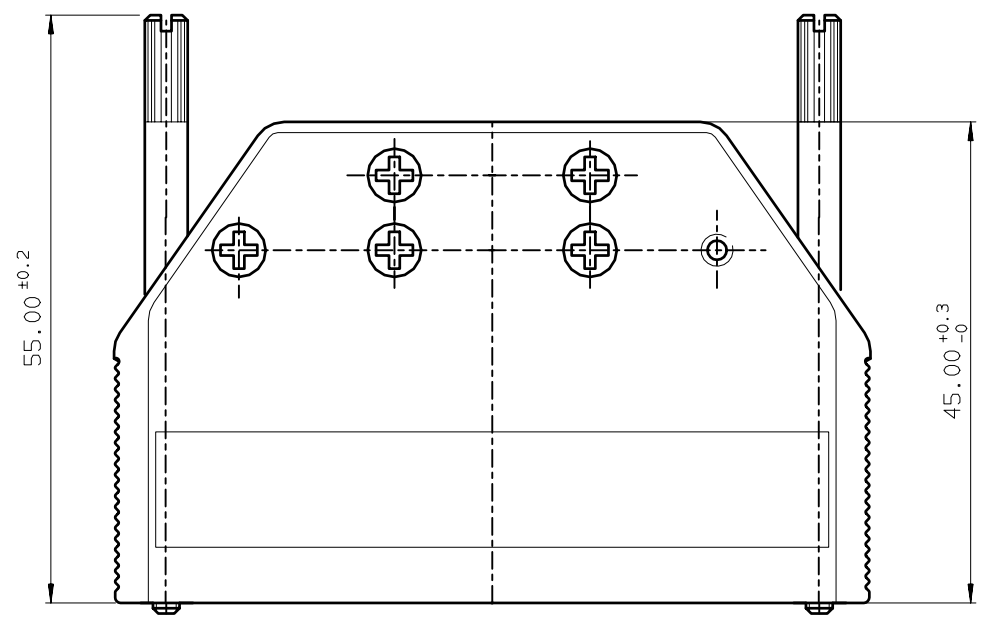
Tous droits strictement réservés. Reproduction ou communication a des tiers interdite sous quelque forme que ce soit sans autorisation écrite du propriétaire. Propriété de c FCI. Droits de reproduction FCI.



ALL rights strictly reserved. Reproduction or issue to third parties in any form whatever is not permitted without written authority from the proprietor. Property of FCI. Copyright FCI.

www.DataSheet4U.com

www.DataSheet4U.com



Pull Parts		
PART NUMBER	8655MH5001	PACKAGING: per 40 pieces

ltr	ecn no	dr	date
C	-	BAR	15/04/03
D	L505-0026	MPE	08/07/05
E	L505-0084	MPE	29/09/05
-	-	-	-
-	-	-	-
-	-	-	-
-	-	-	-

www.fciconnect.com ISO 1302	<input checked="" type="checkbox"/> tolerance ISO 406 ISO 1101	projection 	mm 
	Dr JARRY 05/03/92 Product family D-SUB size A3 Scale 5 Eng PESSON 05/03/92 Spec ref - Chr LEGARE 05/03/92 Material SEE NOTES ECN L505-0084 Appr LEGARE 05/03/92	title SHIELDED HOODS - TWO PARTS HOODS (Shell size 50) dwg no C01-8655-0629-2 Rev. E catalog no - CUSTOMER COPY sheet 2 of 2	