


# International IR Rectifier

## 8ETX06PbF 8ETX06FPPbF

### Hyperfast Rectifier

#### Features

- Hyperfast Recovery Time
- Low Forward Voltage Drop
- Low Leakage Current
- 175°C Operating Junction Temperature
- UL E78996 approved 
- Lead-Free ("PbF" suffix)

$t_{rr} = 15\text{ns typ.}$   
 $I_{F(AV)} = 8\text{Amp}$   
 $V_R = 600\text{V}$

#### Description/ Applications

State of the art Hyperfast recovery rectifiers designed with optimized performance of forward voltage drop, Hyperfast recover time, and soft recovery.

The planar structure and the platinum doped life time control guarantee the best overall performance, ruggedness and reliability characteristics.


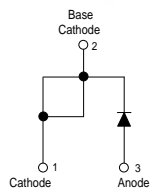

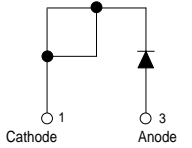
These devices are intended for use in PFC Boost stage in the AC-DC section of SMPS, inverters or as freewheeling diodes.

The IR extremely optimized stored charge and low recovery current minimize the switching losses and reduce over dissipation in the switching element and snubbers.

#### Absolute Maximum Ratings

Parameters	Max	Units
$V_{RRM}$ Peak Repetitive Reverse Voltage	600	V
$I_{F(AV)}$ Average Rectified Forward Current @ $T_C = 143^\circ\text{C}$ @ $T_C = 106^\circ\text{C}$ (FULLPACK)	8	A
$I_{FSM}$ Non Repetitive Peak Surge Current @ $T_J = 25^\circ\text{C}$	110	
$I_{FM}$ Peak Repetitive Forward Current	18	
$T_J, T_{STG}$ Operating Junction and Storage Temperatures	- 65 to 175	$^\circ\text{C}$

#### Case Styles

<p><b>8ETX06PbF</b></p>   <p><b>TO-220AC</b></p>	<p><b>8ETX06FPPbF</b></p>   <p><b>TO-220 FULLPACK</b></p>
--	---

**Electrical Characteristics @ T<sub>J</sub> = 25°C (unless otherwise specified)**

Parameters	Min	Typ	Max	Units	Test Conditions
V <sub>BR</sub> , V <sub>F</sub>	600	-	-	V	I <sub>R</sub> = 100μA
V <sub>F</sub>	-	2.3	3.0	V	I <sub>F</sub> = 8A, T <sub>J</sub> = 25°C
	-	1.4	1.7	V	I <sub>F</sub> = 8A, T <sub>J</sub> = 150°C
I <sub>R</sub>	-	0.3	50	μA	V <sub>R</sub> = V <sub>R</sub> Rated
	-	35	500	μA	T <sub>J</sub> = 150°C, V <sub>R</sub> = V <sub>R</sub> Rated
C <sub>T</sub>	-	17	-	pF	V <sub>R</sub> = 600V
L <sub>S</sub>	-	8.0	-	nH	Measured lead to lead 5mm from package body

**Dynamic Recovery Characteristics @ T<sub>C</sub> = 25°C (unless otherwise specified)**

Parameters	Min	Typ	Max	Units	Test Conditions	
t <sub>rr</sub>	-	15	19	ns	I <sub>F</sub> = 1A, di <sub>F</sub> /dt = 100A/μs, V <sub>R</sub> = 30V	
	-	16	24		I <sub>F</sub> = 8A, di <sub>F</sub> /dt = 100A/μs, V <sub>R</sub> = 30V	
	-	17	-		T <sub>J</sub> = 25°C	
	-	40	-		T <sub>J</sub> = 125°C	
I <sub>R</sub> RM	-	2.3	-	A	T <sub>J</sub> = 25°C	
	-	4.5	-		T <sub>J</sub> = 125°C	
Q <sub>rr</sub>	-	20	-	nC	T <sub>J</sub> = 25°C	
	-	100	-		T <sub>J</sub> = 125°C	
t <sub>rr</sub>	-	31	-	ns	I <sub>F</sub> = 8A di <sub>F</sub> /dt = 600A/μs V <sub>R</sub> = 390V	
I <sub>R</sub> RM	-	12	-			T <sub>J</sub> = 125°C
Q <sub>rr</sub>	-	195	-			nC

**Thermal - Mechanical Characteristics**

Parameters	Min	Typ	Max	Units
T <sub>J</sub>	-	-	175	°C
T <sub>Stg</sub>	- 65	-	175	°C
R <sub>thJC</sub>	-	1.4	2	°C/W
	-	3.4	4.3	
R <sub>thJA</sub> ①	-	-	70	°C/W
R <sub>thCS</sub> ②	-	0.5	-	°C/W
Weight	-	2.0	-	g
	-	0.07	-	(oz)
Mounting Torque	6.0	-	12	Kg-cm
	5.0	-	10	lbf.in

① Typical Socket Mount

② Mounting Surface, Flat, Smooth and Greased

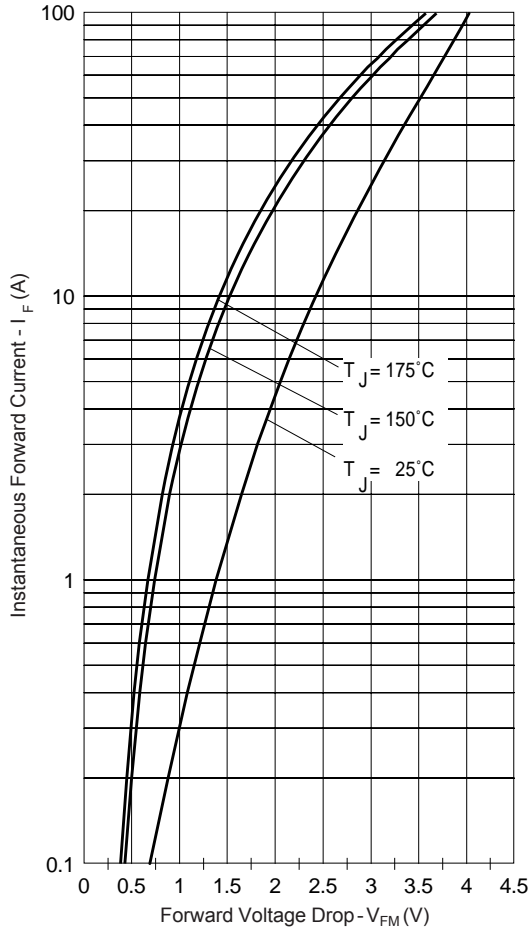


Fig. 1 - Typical Forward Voltage Drop Characteristics

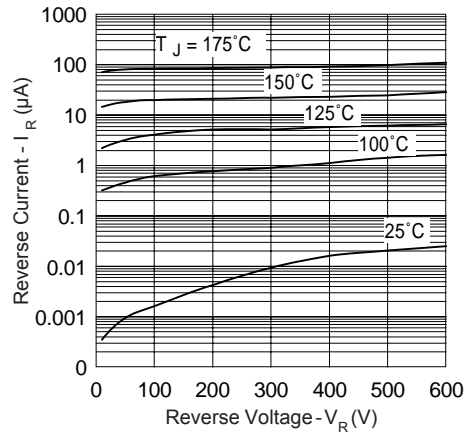


Fig. 2 - Typical Values Of Reverse Current Vs. Reverse Voltage

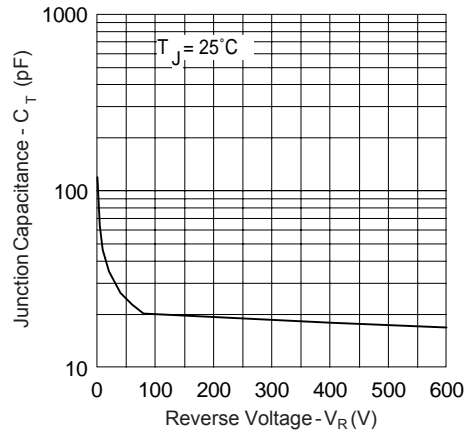


Fig. 3 - Typical Junction Capacitance Vs. Reverse Voltage

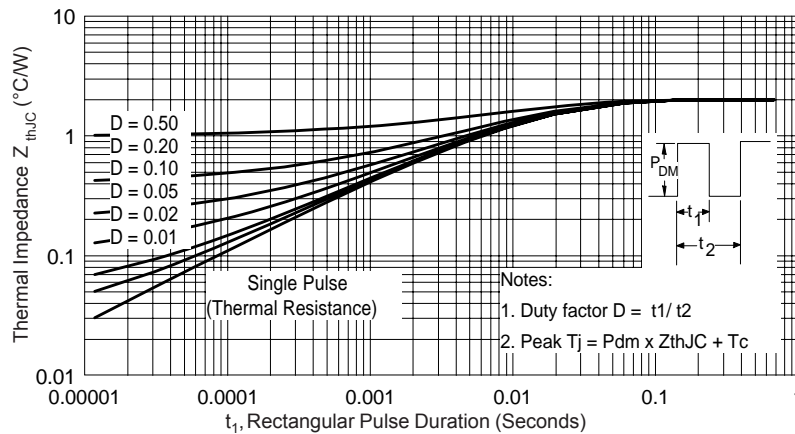


Fig. 4 - Max. Thermal Impedance  $Z_{thJC}$  Characteristics

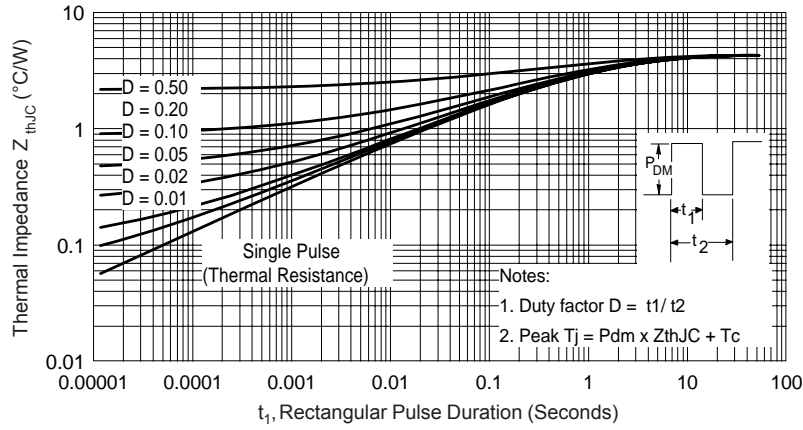


Fig. 5 - Max. Thermal Impedance  $Z_{thJC}$  Characteristics (FULLPACK)

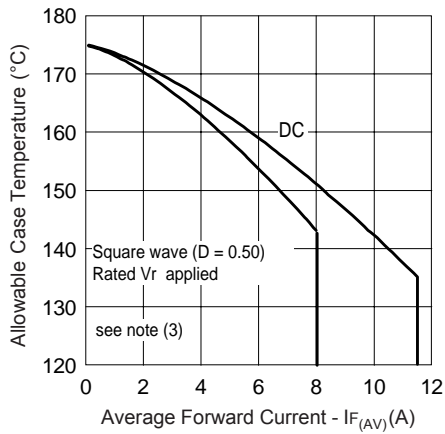


Fig. 6 - Max. Allowable Case Temperature Vs. Average Forward Current

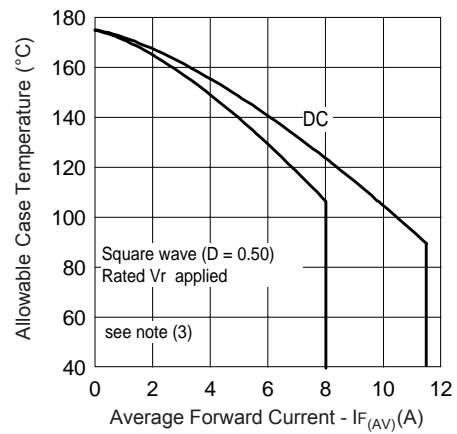


Fig. 7 - Max. Allowable Case Temperature Vs. Average Forward Current (FULLPACK)

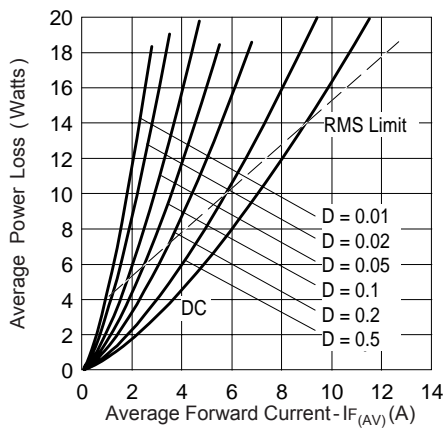


Fig. 8 - Forward Power Loss Characteristics

(3) Formula used:  $T_c = T_j - (P_d + P_{d_{REV}}) \times R_{thJC}$ ;  
 $P_d$  = Forward Power Loss =  
 $I_{F(AV)} \times V_{FM} @ (I_{F(AV)}/D)$   
 (see Fig. 8);  
 $P_{d_{REV}}$  = Inverse Power Loss =  $V_{R1} \times I_R (1 - D)$ ;  
 $I_R @ V_{R1}$  = rated  $V_R$

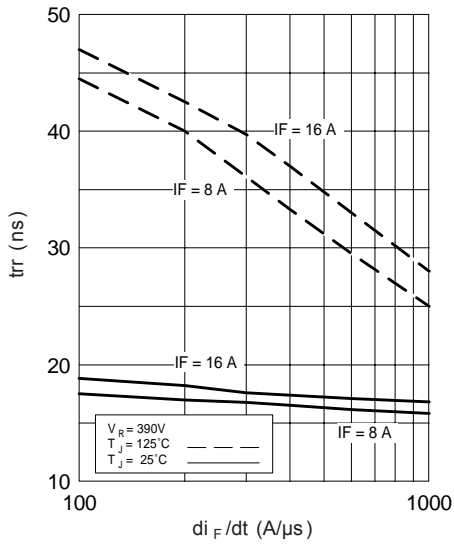


Fig.9- Typical Reverse Recovery vs.  $di_F/dt$

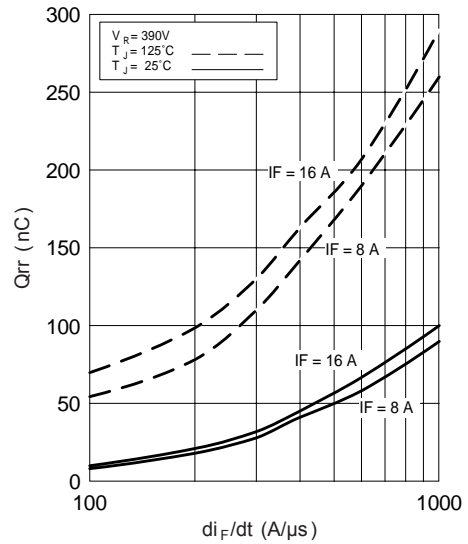


Fig.10- Typical Stored Charge vs.  $di_F/dt$

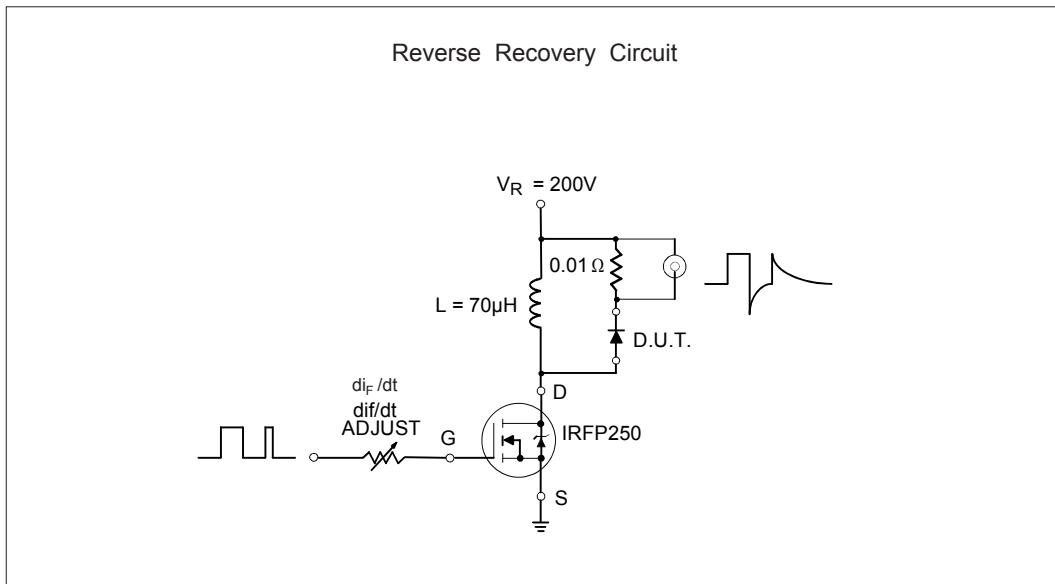


Fig.11- Reverse Recovery Parameter Test Circuit

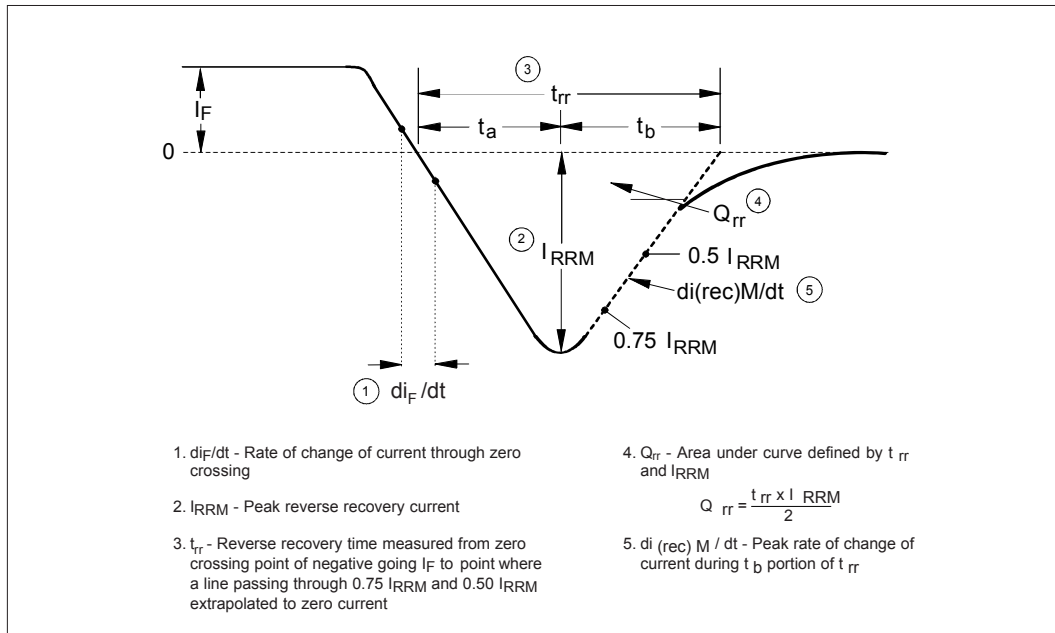
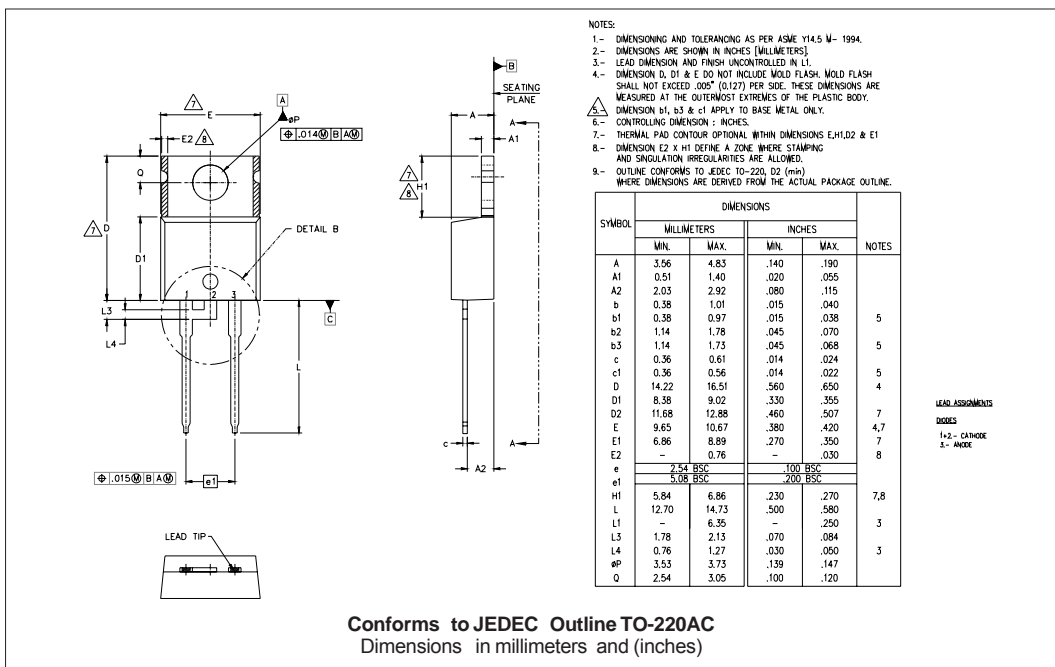
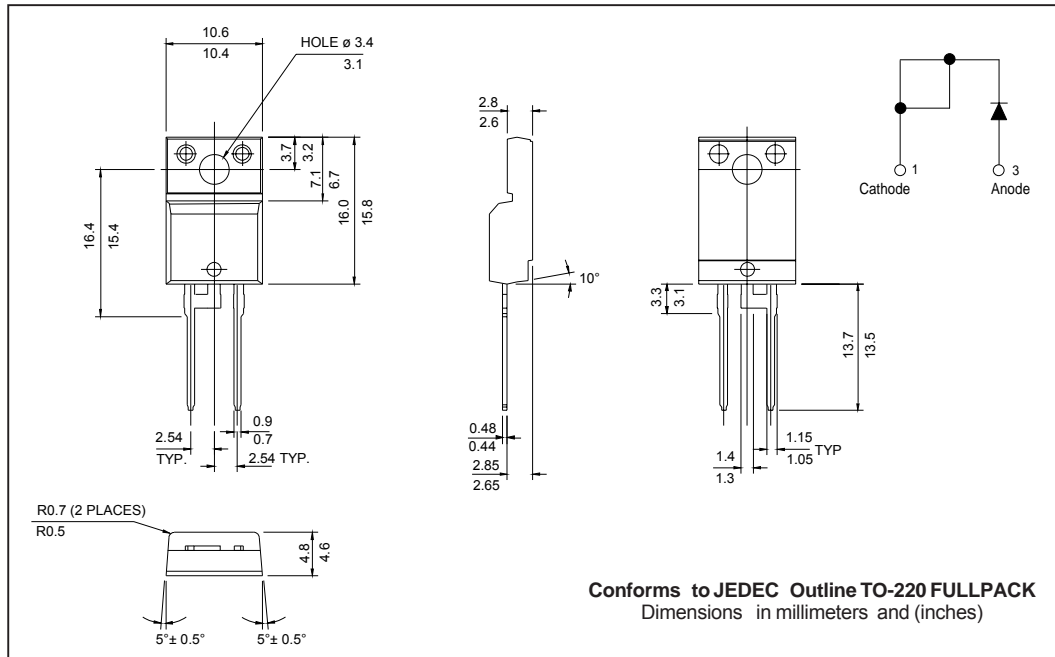


Fig. 12 - Reverse Recovery Waveform and Definitions

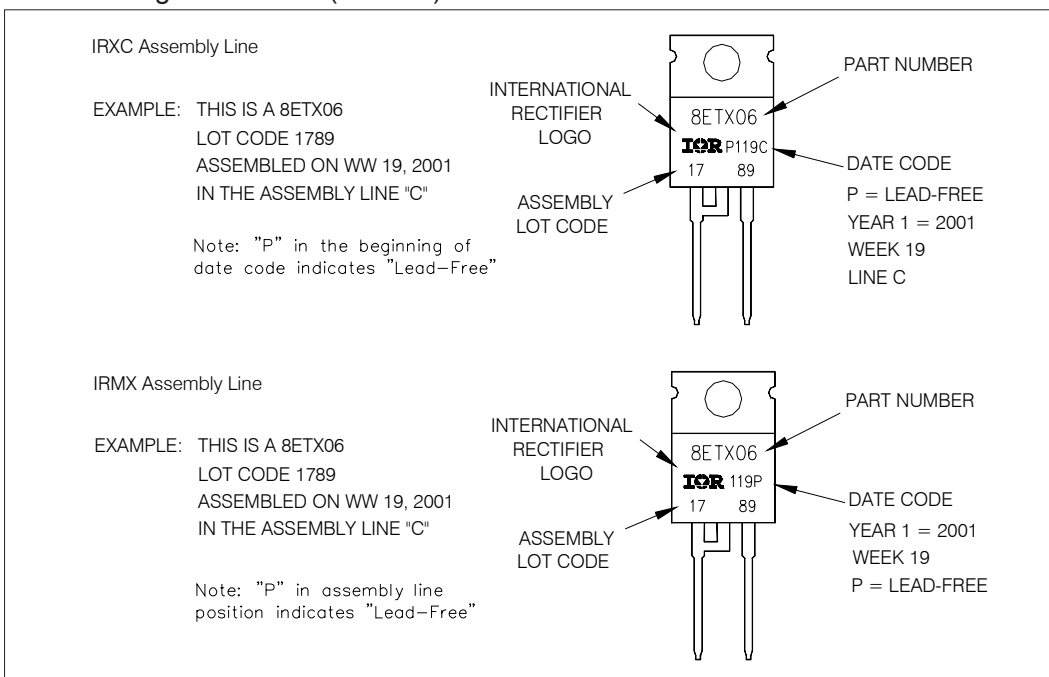
Outline Table



Outline Table



Part Marking Information (TO-220)



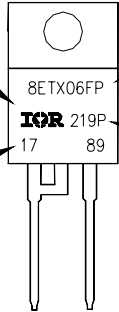
Part Marking Information (TO-220 FULL-PAK)

EXAMPLE: THIS IS A 8ETX06FP  
 LOT CODE 1789  
 ASSEMBLED ON WW 19, 2002  
 IN THE ASSEMBLY LINE "C"

Note: "P" in assembly line position indicates "Lead-Free"

INTERNATIONAL  
RECTIFIER  
LOGO

ASSEMBLY  
LOT CODE



PART NUMBER  
FP = Fullpack

DATE CODE  
YEAR = 2002  
WEEK 19  
P = Lead-Free

Ordering Information Table

**Device Code**

<b>8</b>	<b>E</b>	<b>T</b>	<b>X</b>	<b>06</b>	<b>FP</b>	<b>PbF</b>
①	②	③	④	⑤	⑥	⑦

- 1** - Current Rating (8 = 8A)
- 2** - E = Single Diode
- 3** - T = TO-220, D<sup>2</sup>Pak
- 4** - X = HyperFast Recovery
- 5** - Voltage Rating (06 = 600V)
- 6** -
  - none = TO-220AC
  - FP = TO-220 FULLPACK
- 7** -
  - none = Standard Production
  - PbF = Lead-Free

Tube Standard Pack Quantity: 50 pieces

Data and specifications subject to change without notice.  
 This product has been designed and qualified for Industrial Level and Lead-Free.  
 Qualification Standards can be found on IR's Web site.