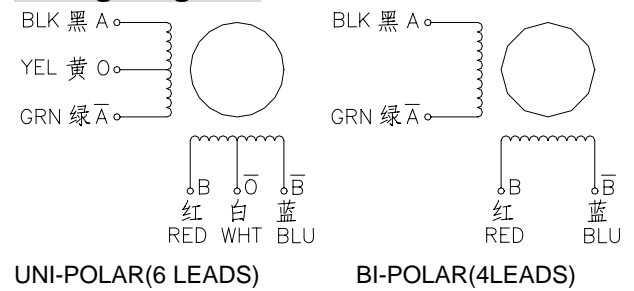
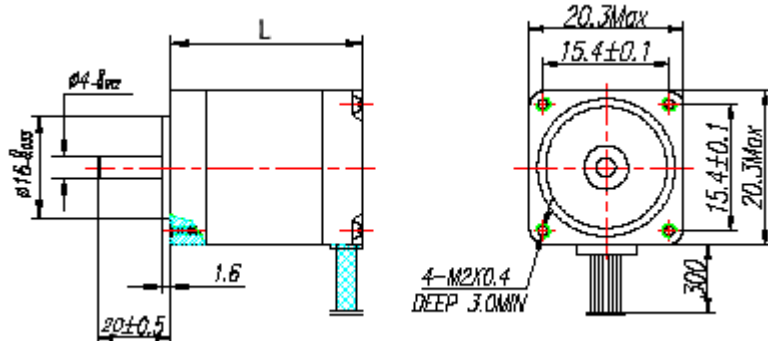


2 Phase Hybrid Stepper Motor 8HY series-Size 20mm(1.8 degree)


Wiring Diagram:

Electrical Specifications:

Model	Phase Voltage (V)	Phase Current (A)	Phase Resistance (ohm)	Phase Inductance (mH)	Holding Torque (N.cm)	Lead Wires (No.)	Weight (g)	Length (mm)
8HY26-0204A	4.0	0.2	23	8.2	1.6	4	40	26
8HY28-0204A	12.0	0.2	23	8.2	1.6	4	50	28
8HY28-0604A	1.9	0.6	3.2	0.9	1.6	4	50	28
8HY33-0204A	5.0	0.2	25	8.4	2.0	4	70	33
8HY33-0604A	2.7	0.6	4.5	1.2	2.0	4	70	33
8HY40-0204A	6.4	0.2	32	8.8	2.8	4	80	40
8HY40-0604A	3.5	0.6	5.8	1.6	2.8	4	80	40

*Note: We can manufacture products according to customer's requirements.

Dimensions: unit=mm

Motor Length:

Model	Length
8HY23XX	28 mm
8HY33XX	33 mm