

QCOTS™ UT8Q1024K8 SRAM

Data Sheet
January, 2003



FEATURES

- ❑ 25ns maximum (3.3 volt supply) address access time
- ❑ Dual cavity package contains two (2) 512K x 8 industry-standard asynchronous SRAMs; the control architecture allows operation as an 8-bit data width
- ❑ TTL compatible inputs and output levels, three-state bidirectional data bus
- ❑ Typical radiation performance
 - Total dose: 50krad(Si)
 - SEL Immune >80 MeV-cm²/mg
 - LET_{TH}(0.25) = >10 MeV-cm²/mg
 - Saturated Cross Section cm² per bit, 5.0E-9
 - ≤1E-8 errors/bit-day, Adams 90% geosynchronous heavy ion
- ❑ Packaging options:
 - 44-lead bottom brazed dual CFP (BBTFP) (4.6 grams)
- ❑ Standard Microcircuit Drawing 5962-01532
 - QML T and Q compliant part

INTRODUCTION

The QCOTS™ UT8Q1024K8 Quantified Commercial Off-the-Shelf product is a high-performance 1M byte (8Mbit) CMOS static RAM built with two individual 524,288 x 8 bit SRAMs with a common output enable. Memory access and control is provided by an active LOW chip enable (\overline{E}_n), an active LOW output enable (\overline{G}). This device has a power-down feature that reduces power consumption by more than 90% when deselected.

Writing to each memory is accomplished by taking one of the chip enable (\overline{E}_n) inputs LOW and write enable (\overline{W}_n) inputs LOW. Data on the I/O pins is then written into the location specified on the address pins (A_0 through A_{18}). Reading from the device is accomplished by taking one of the chip enable (\overline{E}_n) and output enable (\overline{G}) LOW while forcing write enable (\overline{W}_n) HIGH. Under these conditions, the contents of the memory location specified by the address pins will appear on the I/O pins. Only one SRAM can be read or written at a time.

The input/output pins are placed in a high impedance state when the device is deselected (\overline{E}_n HIGH), the outputs are disabled (\overline{G} HIGH), or during a write operation (\overline{E}_n LOW and \overline{W}_n LOW).

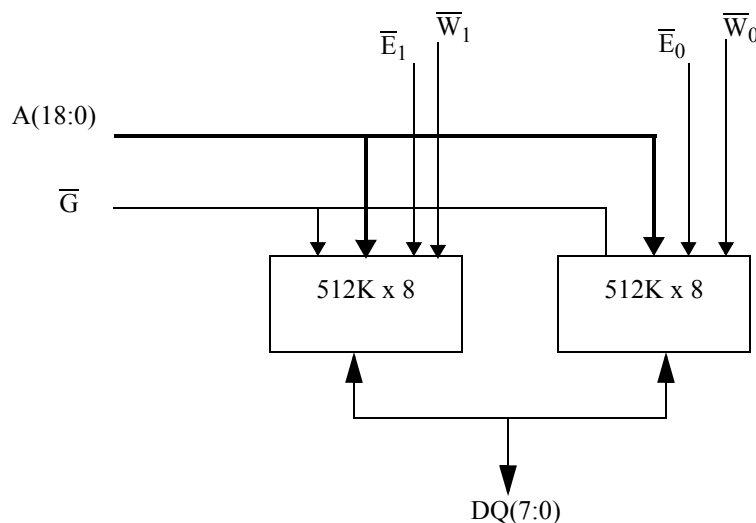


Figure 1. UT8Q1024K8 SRAM Block Diagram

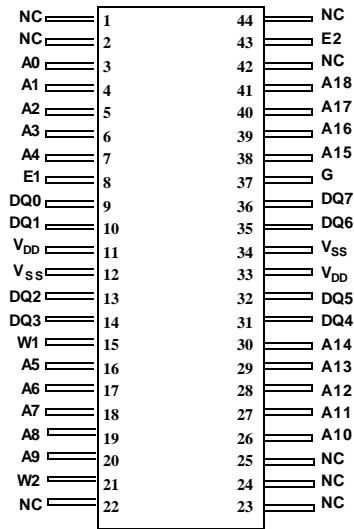


Figure 2. 25ns SRAM Pinout (44)

PIN NAMES

| | |
|-----------------|-------------------|
| A(18:0) | Address |
| DQ(7:0) | Data Input/Output |
| $\overline{E}n$ | Device Enable |
| $\overline{W}n$ | WriteEnable |
| \overline{G} | Output Enable |
| V _{DD} | Power |
| V _{SS} | Ground |

- Notes:**
- To avoid bus contention, on the DQ(7:0) bus, only one $\overline{E}n$ can be driven low simultaneously while G is low.

DEVICE OPERATION

Each die in the UT8Q1024K8 has three control inputs called Enable ($\overline{E}n$), Write Enable ($\overline{W}n$), and Output Enable (\overline{G}); 19 address inputs, A(18:0); and eight bidirectional data lines, DQ(7:0). The device enable ($\overline{E}n$) controls device selection, active, and standby modes. Asserting $\overline{E}n$ enables the device, causes I_{DD} to rise to its active value, and decodes the 19 address inputs to each memory die. $\overline{W}n$ controls read and write operations. During a read cycle, \overline{G} must be asserted to enable the outputs.

Table 1. Device Operation Truth Table

| \overline{G} | $\overline{W}n$ | $\overline{E}n$ | I/O Mode | Mode |
|----------------|-----------------|-----------------|----------|-------------------|
| X ¹ | X | 1 | 3-state | Standby |
| X | 0 | 0 | Data in | Write |
| 1 | 1 | 0 | 3-state | Read ² |
| 0 | 1 | 0 | Data out | Read |

- Notes:**
- “X” is defined as a “don’t care” condition.
 - Device active; outputs disabled.

READ CYCLE

A combination of $\overline{W}n$ greater than V_{IH}(min) with $\overline{E}n$ and \overline{G} less than V_{IL}(max) defines a read cycle. Read access time is measured from the latter of device enable, output enable, or valid address to valid data output.

SRAM Read Cycle 1, the Address Access is initiated by a change in address inputs while the chip is enabled with \overline{G} asserted and $\overline{W}n$ deasserted. Valid data appears on data outputs DQ(7:0) after the specified t_{AVQV} is satisfied. Outputs remain active throughout the entire cycle. As long as device enable and output enable are active, the address inputs may change at a rate equal to the minimum read cycle time (t_{AVAV}).

SRAM Read Cycle 2, the Chip Enable-controlled Access is initiated by $\overline{E}n$ going active while \overline{G} remains asserted, $\overline{W}n$ remains deasserted, and the addresses remain stable for the entire cycle. After the specified t_{ETQV} is satisfied, the eight-bit word addressed by A(18:0) is accessed and appears at the data outputs DQ(7:0).

SRAM Read Cycle 3, the Output Enable-controlled Access is initiated by \overline{G} going active while $\overline{E}n$ is asserted, $\overline{W}n$ is deasserted, and the addresses are stable. Read access time is t_{GLQV} unless t_{AVQV} or t_{ETQV} have not been satisfied.

WRITE CYCLE

A combination of \overline{Wn} less than $V_{IL(max)}$ and \overline{En} less than $V_{IL(max)}$ defines a write cycle. The state of \overline{G} is a “don’t care” for a write cycle. The outputs are placed in the high-impedance state when either \overline{G} is greater than $V_{IH(min)}$, or when \overline{Wn} is less than $V_{IL(max)}$.

Write Cycle 1, the Write Enable-controlled Access is defined by a write terminated by \overline{Wn} going high, with \overline{En} still active. The write pulse width is defined by t_{WLWH} when the write is initiated by \overline{Wn} , and by t_{ETWH} when the write is initiated by \overline{En} . Unless the outputs have been previously placed in the high-impedance state by \overline{G} , the user must wait t_{WLQZ} before applying data to the eight bidirectional pins DQ(7:0) to avoid bus contention.

Write Cycle 2, the Chip Enable-controlled Access is defined by a write terminated by the former of \overline{En} or \overline{Wn} going inactive. The write pulse width is defined by t_{WLEF} when the write is initiated by \overline{Wn} , and by t_{ETEF} when the write is initiated by the \overline{En} going active. For the \overline{Wn} initiated write, unless the outputs have been previously placed in the high-impedance state by \overline{G} , the user must wait t_{WLQZ} before applying data to the eight bidirectional pins DQ(7:0) to avoid bus contention.

TYPICAL RADIATION HARDNESS

The UT8Q1024K8 SRAM incorporates features which allow operation in a limited radiation environment.

Table 2. Typical Radiation Hardness Design Specifications¹

| | | |
|-----------------------------------|-------------|------------------|
| Total Dose | 50 | krad(Si) nominal |
| Heavy Ion Error Rate ² | $\leq 1E-8$ | Errors/Bit-Day |

- Notes:**
1. The SRAM will not latchup during radiation exposure under recommended operating conditions.
 2. 90% worst case particle environment, Geosynchronous orbit, 100 mils of Aluminum.

ABSOLUTE MAXIMUM RATINGS¹

(Referenced to V_{SS})

| SYMBOL | PARAMETER | LIMITS |
|---------------|---|-----------------|
| V_{DD} | DC supply voltage | -0.5 to 4.6V |
| $V_{I/O}$ | Voltage on any pin | -0.5 to 4.6V |
| T_{STG} | Storage temperature | -65 to +150°C |
| P_D | Maximum power dissipation | 1.0W (per byte) |
| T_J | Maximum junction temperature ² | +150°C |
| Θ_{JC} | Thermal resistance, junction-to-case ³ | 10°C/W |
| I_I | DC input current | ±10 mA |

Notes:

1. Stresses outside the listed absolute maximum ratings may cause permanent damage to the device. This is a stress rating only, and functional operation of the device at these or any other conditions beyond limits indicated in the operational sections of this specification is not recommended. Exposure to absolute maximum rating conditions for extended periods may affect device reliability and performance.
2. Maximum junction temperature may be increased to +175°C during burn-in and steady-static life.
3. Test per MIL-STD-883, Method 1012.

RECOMMENDED OPERATING CONDITIONS

| SYMBOL | PARAMETER | LIMITS |
|----------|-------------------------|----------------|
| V_{DD} | Positive supply voltage | 3.0 to 3.6V |
| T_C | Case temperature range | -40 to +125°C |
| V_{IN} | DC input voltage | 0V to V_{DD} |

DC ELECTRICAL CHARACTERISTICS (Pre/Post-Radiation)*

(-40°C to +125°C) ($V_{DD} = 3.3V \pm 0.3$)

| SYMBOL | PARAMETER | CONDITION | MIN | MAX | UNIT |
|-----------------|---------------------------------------|---|-----------------|------|---------|
| V_{IH} | High-level input voltage | (CMOS) | 2.0 | | V |
| V_{IL} | Low-level input voltage | (CMOS) | | 0.8 | V |
| V_{OL1} | Low-level output voltage | $I_{OL} = 8mA, V_{DD} = 3.0V$ | | 0.4 | V |
| V_{OL2} | Low-level output voltage | $I_{OL} = 200\mu A, V_{DD} = 3.0V$ | | 0.08 | V |
| V_{OH1} | High-level output voltage | $I_{OH} = -4mA, V_{DD} = 3.0V$ | 2.4 | | V |
| V_{OH2} | High-level output voltage | $I_{OH} = -200\mu A, V_{DD} = 3.0V$ | $V_{DD} - 0.10$ | | V |
| C_{IN}^1 | Input capacitance | $f = 1MHz @ 0V$ | | 20 | pF |
| C_{IO}^1 | Bidirectional I/O capacitance | $f = 1MHz @ 0V$ | | 24 | pF |
| I_{IN} | Input leakage current | $V_{SS} \leq V_{IN} \leq V_{DD}, V_{DD} = V_{DD} (max)$ | -2 | 2 | μA |
| I_{OZ} | Three-state output leakage current | $0V \leq V_O \leq V_{DD}$ $V_{DD} = V_{DD} (max)$ $\overline{G} = V_{DD} (max)$ | -2 | 2 | μA |
| $I_{OS}^{2, 3}$ | Short-circuit output current | $0V \leq V_O \leq V_{DD}$ | -90 | 90 | mA |
| $I_{DD}(OP)$ | Supply current operating @ 1MHz | Inputs: $V_{IL} = 0.8V,$ $V_{IH} = 2.0V$ $I_{OUT} = 0mA$ $V_{DD} = V_{DD} (max)$ | | 150 | mA |
| $I_{DD1}(OP)$ | Supply current operating @ 40MHz | Inputs: $V_{IL} = 0.8V,$ $V_{IH} = 2.0V$ $I_{OUT} = 0mA$ $V_{DD} = V_{DD} (max)$ | | 220 | mA |
| $I_{DD2}(SB)$ | Nominal standby supply current @ 0MHz | Inputs: $V_{IL} = V_{SS}$ $I_{OUT} = 0mA$ $\overline{E}_n = V_{DD} - 0.5,$ $V_{DD} = V_{DD} (max)$ $V_{IH} = V_{DD} - 0.5V$ | -40°C and 25°C | 4 | mA |
| | | | +125°C | 25 | mA |

Notes:

* Post-radiation performance guaranteed at 25°C per MIL-STD-883 Method 1019.

1. Measured only for initial qualification and after process or design changes that could affect input/output capacitance.
2. Supplied as a design limit but not guaranteed or tested.
3. Not more than one output may be shorted at a time for maximum duration of one second.

AC CHARACTERISTICS READ CYCLE (Pre/Post-Radiation)*

(-40°C to +125°C) ($V_{DD} = 3.3V \pm 0.3$)

| SYMBOL | PARAMETER | MIN | MAX | UNIT |
|--------------------|--|-----|-----|------|
| t_{AVAV}^1 | Read cycle time | 25 | | ns |
| t_{AVQV} | Read access time | | 25 | ns |
| t_{AXQX}^2 | Output hold time | 3 | | ns |
| t_{GLQX}^2 | \overline{G} -controlled Output Enable time | 0 | | ns |
| t_{GLQV} | \overline{G} -controlled Output Enable time (Read Cycle 3) | | 10 | ns |
| t_{GHQZ}^2 | \overline{G} -controlled output three-state time | | 10 | ns |
| $t_{ETQX}^{2,3}$ | \overline{En} -controlled Output Enable time | 3 | | ns |
| t_{ETQV}^3 | \overline{En} -controlled access time | | 25 | ns |
| $t_{EFQZ}^{1,2,4}$ | \overline{En} -controlled output three-state time | | 10 | ns |

Notes: * Post-radiation performance guaranteed at 25°C per MIL-STD-883 Method 1019.

1. Functional test.
2. Three-state is defined as a 300mV change from steady-state output voltage.
3. The ET (enable true) notation refers to the falling edge of \overline{En} . SEU immunity does not affect the read parameters.
4. The EF (enable false) notation refers to the rising edge of \overline{En} . SEU immunity does not affect the read parameters.

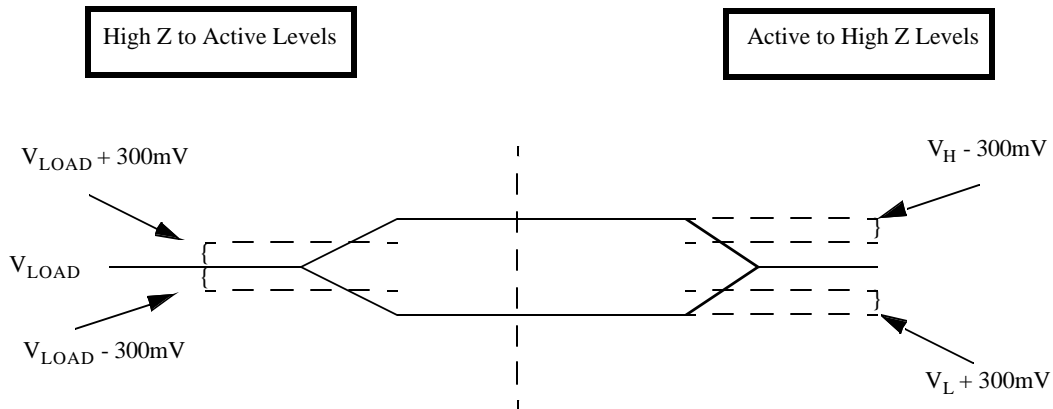


Figure 3. 3-Volt SRAM Loading

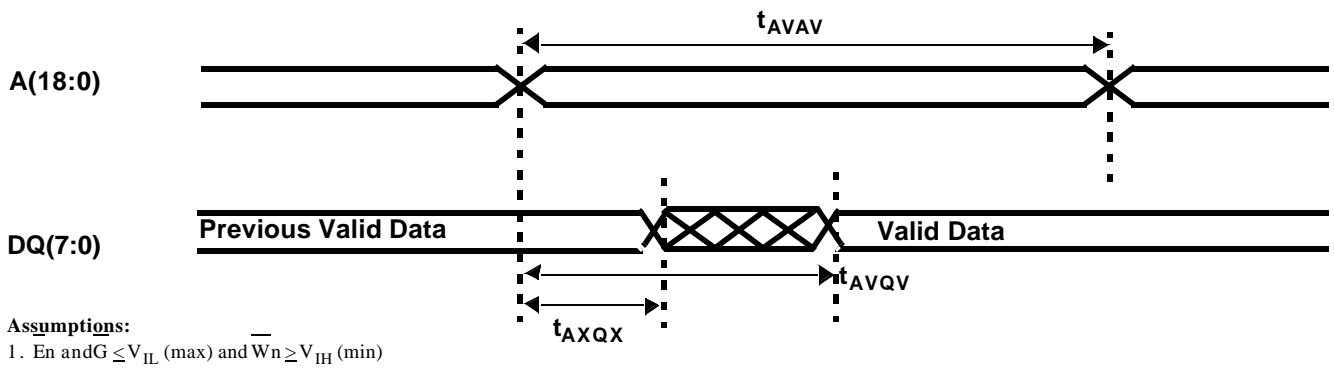
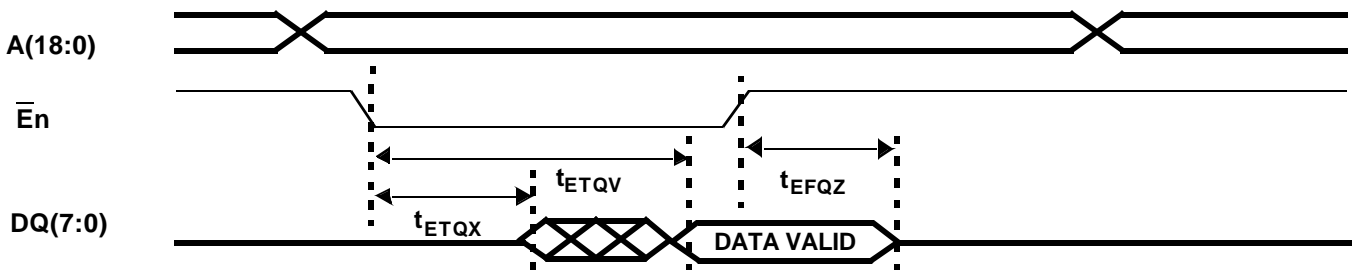
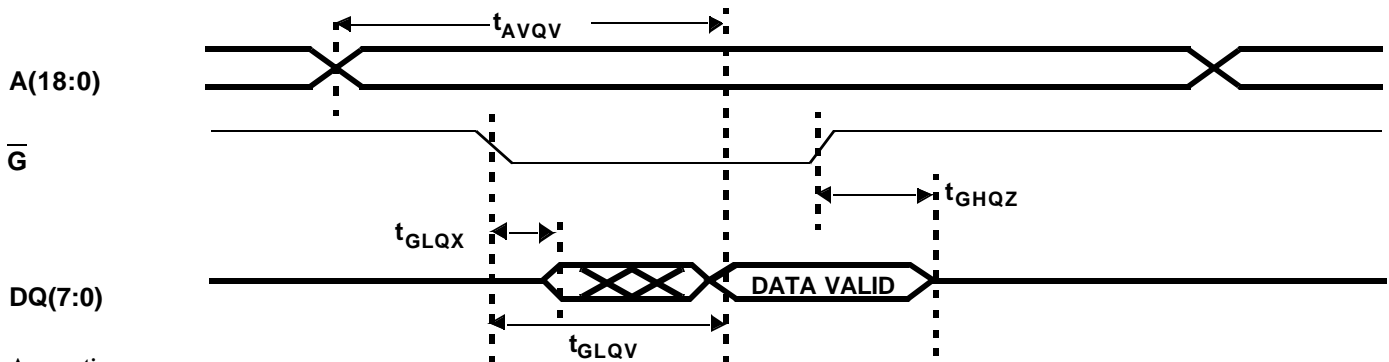


Figure 4a. SRAM Read Cycle 1: Address Access



Assumptions:
 1. $G \leq V_{IL}(\max)$ and $W_n \geq V_{IH}(\min)$

Figure 4b. SRAM Read Cycle 2: Chip Enable-Controlled Access



Assumptions:
 1. $E_n \leq V_{IL}(\max)$ and $W_n \geq V_{IH}(\min)$

Figure 4c. SRAM Read Cycle 3: Output Enable-Controlled Access

AC CHARACTERISTICS WRITE CYCLE (Pre/Post-Radiation)*(-40°C to +125°C) ($V_{DD} = 3.3V \pm 0.3$)

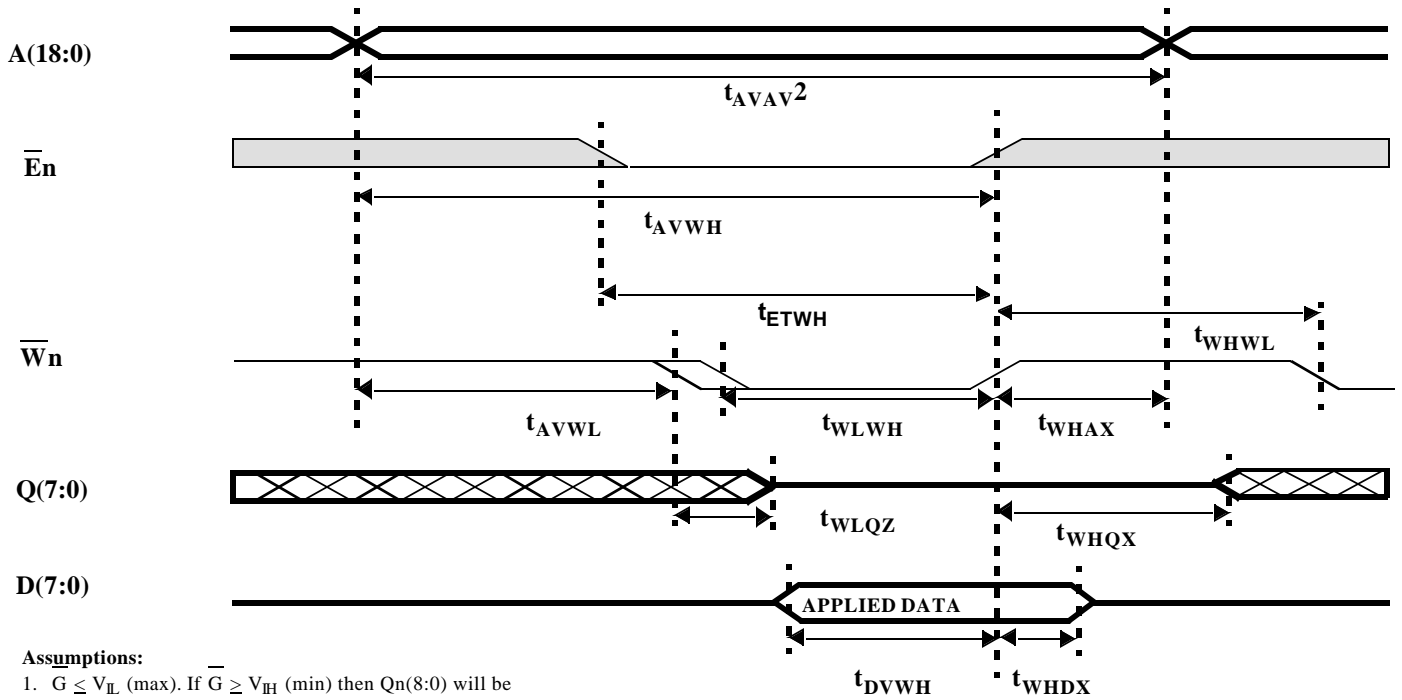
| SYMBOL | PARAMETER | MIN | MAX | UNIT |
|--------------|--|-----|-----|------|
| t_{AVAV}^1 | Write cycle time | 25 | | ns |
| t_{ETWH} | Device Enable to end of write | 20 | | ns |
| t_{AVET} | Address setup time for write ($\overline{E_n}$ - controlled) | 0 | | ns |
| t_{AVWL} | Address setup time for write ($\overline{W_n}$ - controlled) | 0 | | ns |
| t_{WLWH} | Write pulse width | 20 | | ns |
| t_{WHAX} | Address hold time for write ($\overline{W_n}$ - controlled) | 2 | | ns |
| t_{EFAX} | Address hold time for Device Enable ($\overline{E_n}$ - controlled) | 2 | | ns |
| t_{WLQZ}^2 | $\overline{W_n}$ - controlled three-state time | | 10 | ns |
| t_{WHQX}^2 | $\overline{W_n}$ - controlled Output Enable time | 5 | | ns |
| t_{ETEF} | Device Enable pulse width ($\overline{E_n}$ - controlled) | 20 | | ns |
| t_{DVWH} | Data setup time | 15 | | ns |
| t_{WHDX}^2 | Data hold time | 2 | | ns |
| t_{WLEF} | Device Enable controlled write pulse width | 20 | | ns |
| t_{DVEF}^2 | Data setup time | 15 | | ns |
| t_{EFDX} | Data hold time | 2 | | ns |
| t_{AVWH} | Address valid to end of write | 20 | | ns |
| t_{WHWL}^1 | Write disable time | 5 | | ns |

Notes :

* Post-radiation performance guaranteed at 25°C per MIL-STD-883 Method 1019.

1. Functional test performed with outputs disabled (G high).

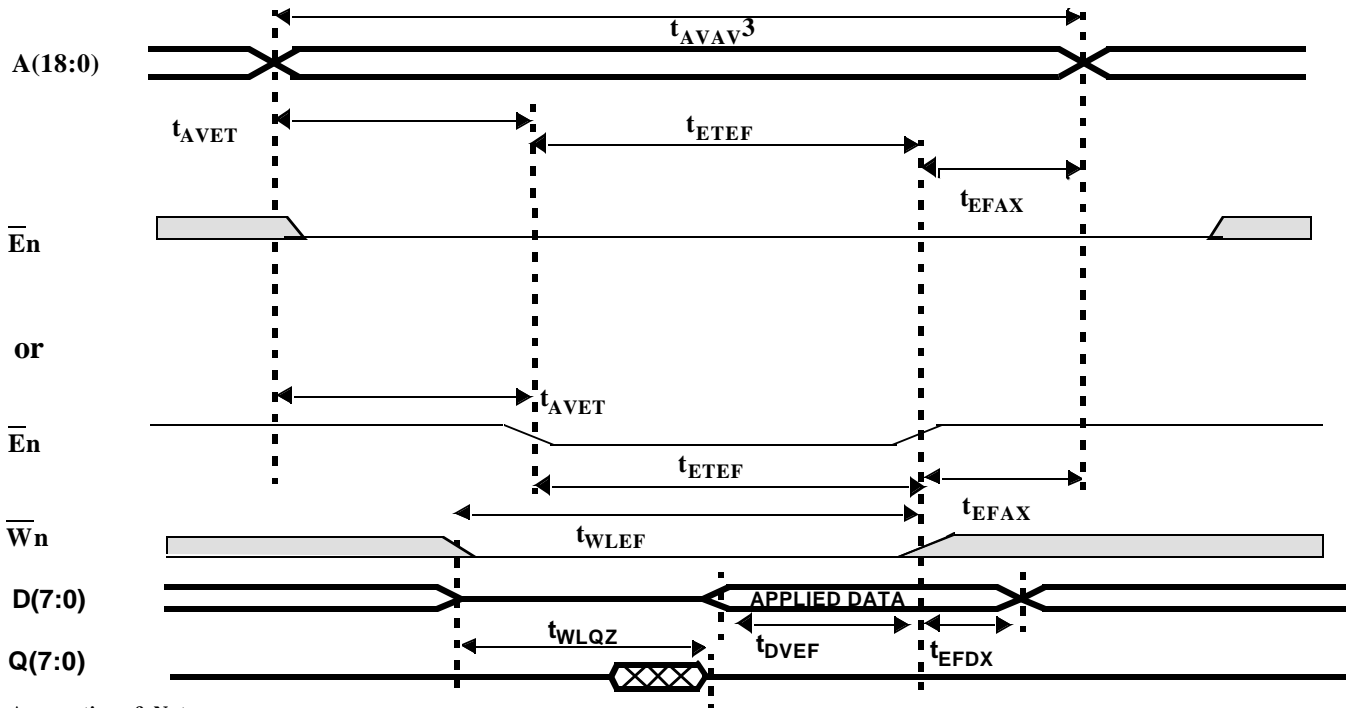
2. Three-state is defined as 300mV change from steady-state output voltage.



Assumptions:

1. $G \leq V_{IL}$ (max). If $\bar{G} \geq V_{IH}$ (min) then Qn(8:0) will be in three-state for the entire cycle.
2. G high for t_{AVAV} cycle.

Figure 5a. SRAM Write Cycle 1: Write Enable - Controlled Access



Assumptions & Notes:

1. $G \leq V_{IL}$ (max). If $\bar{G} \geq V_{IH}$ (min) then Q(7:0) will be in three-state for the entire cycle.
2. Either $\bar{E}n$ scenario above can occur.
3. G high for t_{AVAV} cycle.

Figure 5b. SRAM Write Cycle 2: Chip Enable - Controlled Access

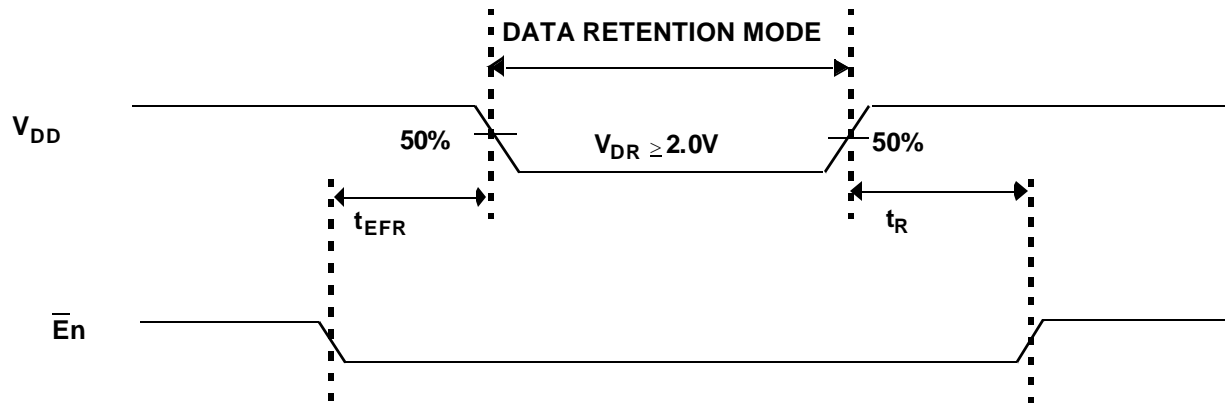


Figure 7. Low V_{DD} Data Retention Waveform

DATA RETENTION CHARACTERISTICS (Pre/Post-Irradiation)

(1 Second Data Retention Test)

| SYMBOL | PARAMETER | MINIMUM | MAXIMUM | UNIT |
|-----------------|------------------------------------|------------|---------|------|
| V_{DR} | V_{DD} for data retention | 2.0 | -- | V |
| $I_{DDR}^{1,2}$ | Data retention current (per byte) | -- | 4.0 | mA |
| $t_{EFR}^{1,3}$ | Chip select to data retention time | 0 | | ns |
| $t_R^{1,3}$ | Operation recovery time | t_{AVAV} | | ns |

Notes:

1. $En = V_{DD} - .2V$, all other inputs = V_{DR} or V_{SS} .
2. Data retention current (I_{DDR}) $T_c = 25^\circ C$.
3. Not guaranteed or tested.

DATA RETENTION CHARACTERISTICS (Pre/Post-Irradiation)

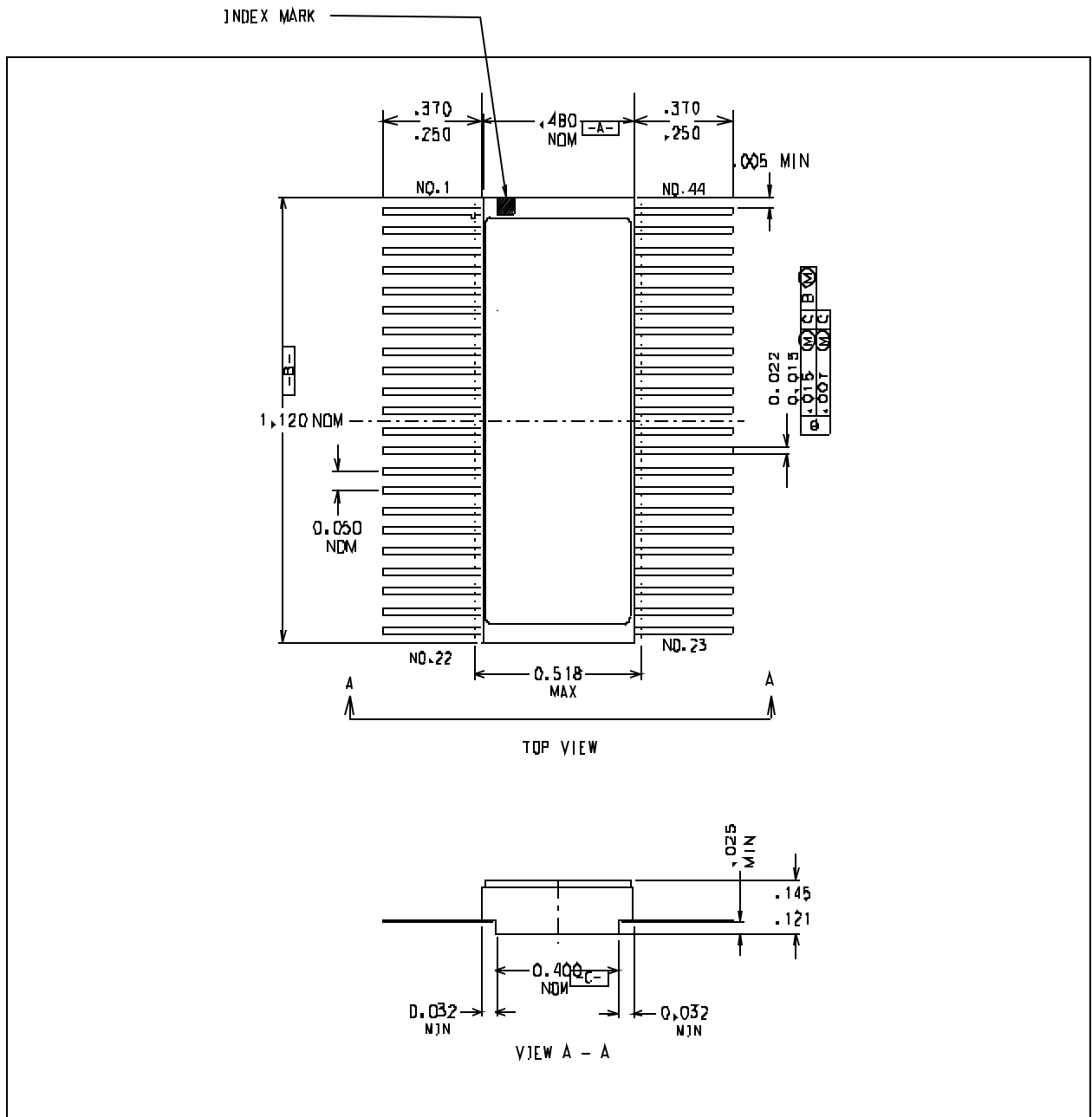
(10 Second Data Retention Test, $T_c = -40^\circ C$ to $+125^\circ C$)

| SYMBOL | PARAMETER | MINIMUM | MAXIMUM | UNIT |
|-----------------|------------------------------------|------------|---------|------|
| V_{DD}^1 | V_{DD} for data retention | 3.0 | 3.6 | V |
| $t_{EFR}^{2,3}$ | Chip select to data retention time | 0 | | ns |
| $t_R^{2,3}$ | Operation recovery time | t_{AVAV} | | ns |

Notes:

1. Performed at $V_{DD}(\min)$ and $V_{DD}(\max)$.
2. $En = V_{SS}$, all other inputs = V_{DR} or V_{SS} .
3. Not guaranteed or tested.

PACKAGING

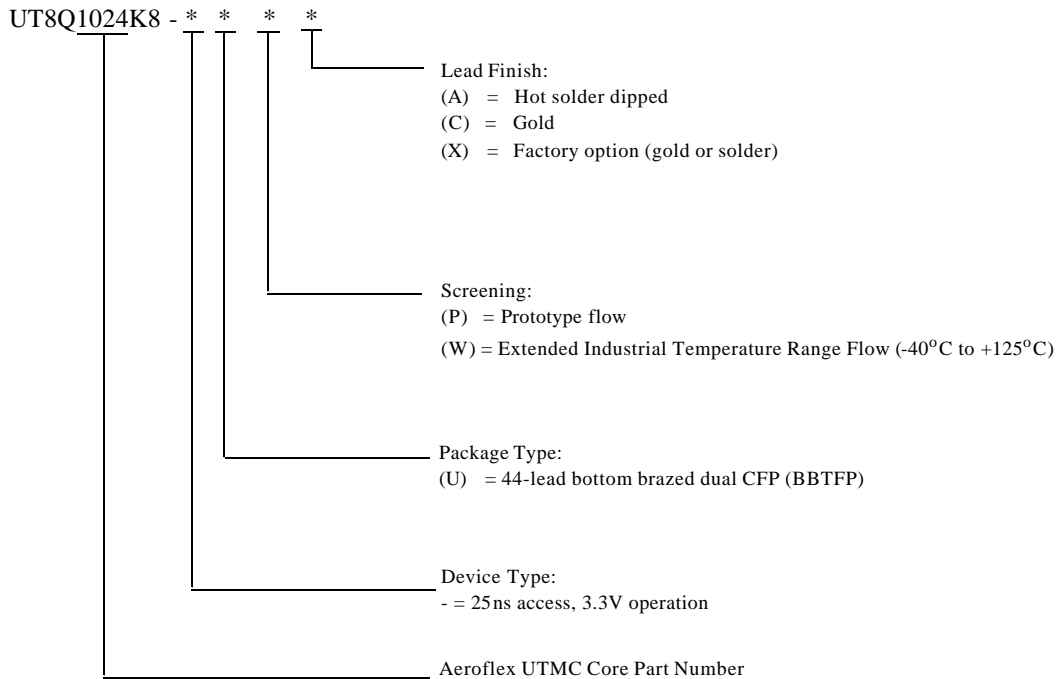


1. All exposed metalized areas must be plated per MIL-PRF-38535.
2. The lid is electrically connected to V_{SS} .
3. Index mark configuration is optional.
4. Total weight is approx. 4.6 g.

Figure 9. 44-lead bottom brazed dual CFP (BBTFP) package

ORDERING INFORMATION

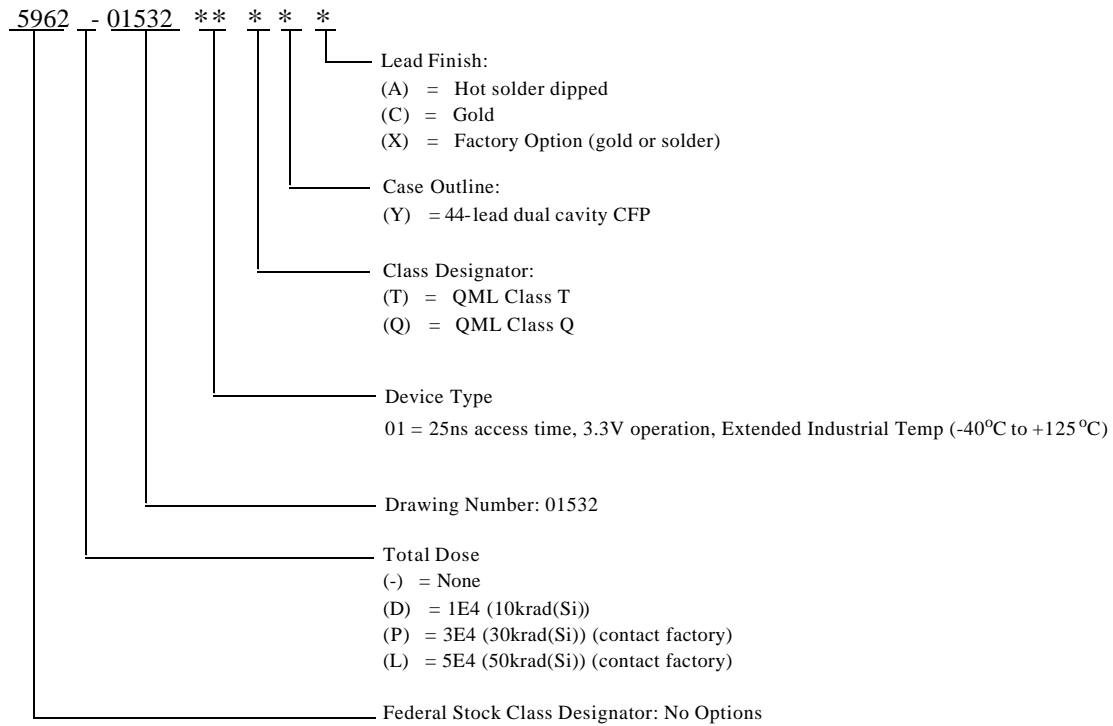
1024K8 SRAM:



Notes:

1. Lead finish (A,C, or X) must be specified.
2. If an "X" is specified when ordering, then the part marking will match the lead finish and will be either "A" (solder) or "C" (gold).
3. Prototype flow per UTMC Manufacturing Flows Document. Tested at 25°C only. Lead finish is GOLD ONLY. Radiation neither tested nor guaranteed.
4. Extended Industrial Temperature Range flow per UTMC Manufacturing Flows Document. Devices are tested at -40°C to +125°C. Radiation neither tested nor guaranteed.

1024K8 SRAM: SMD



Notes:

1. Lead finish (A, C, or X) must be specified.
2. If an "X" is specified when ordering, part marking will match the lead finish and will be either "A" (solder) or "C" (gold).
3. Total dose radiation must be specified when ordering.

COLORADO

Toll Free: 800-645-8862
 Fax: 719-594-8468

INTERNATIONAL

Tel: 805-778-9229
 Fax: 805-778-1980

NORTHEAST

Tel: 603-888-3975
 Fax: 603-888-4585

SE AND MID-ATLANTIC

Tel: 321-951-4164
 Fax: 321-951-4254

WEST COAST

Tel: 949-362-2260
 Fax: 949-362-2266

CENTRAL

Tel: 719-594-8017
 Fax: 719-594-8468

www.aeroflex.com info-ams@eroflex.com

Aeroflex UTM Microelectronic Systems Inc. (Aeroflex) reserves the right to make changes to any products and services herein at any time without notice. Consult Aeroflex or an authorized sales representative to verify that the information in this data sheet is current before using this product. Aeroflex does not assume any responsibility or liability arising out of the application or use of any product or service described herein, except as expressly agreed to in writing by Aeroflex; nor does the purchase, lease, or use of a product or service from Aeroflex convey a license under any patent rights, copyrights, trademark rights, or any other of the intellectual rights of Aeroflex or of third parties.



Our passion for performance is defined by three attributes represented by these three icons: solution-minded, performance-driven and customer-focused