
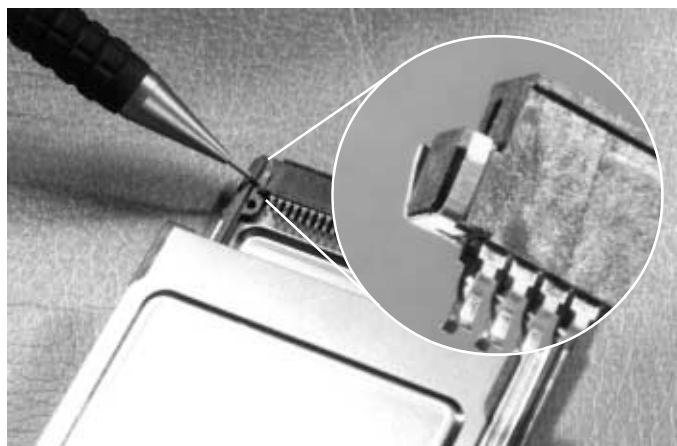


www.methode.com  
**68 Position  
 PC Card Receptacle with Ground Clip**

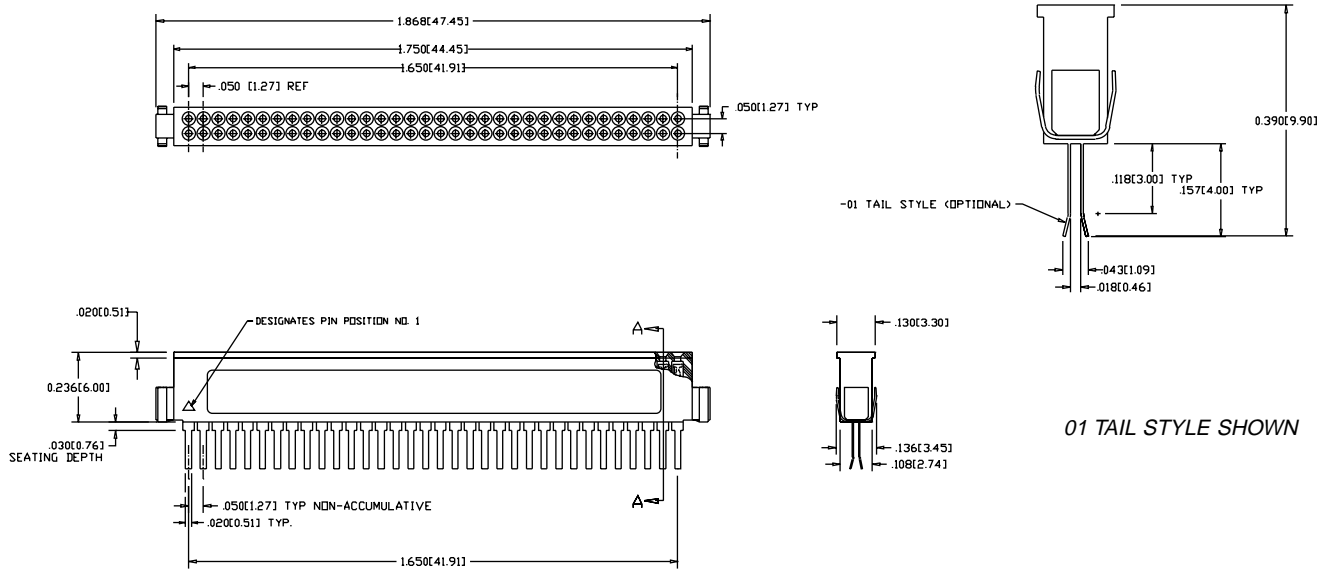
**Patent No. 5,920,460** 



**Features**

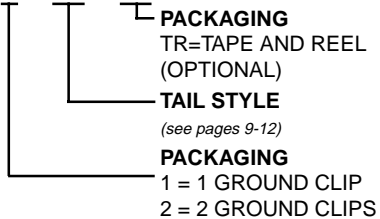
- Integral ground clip eliminates the need for board mounted ground contacts and additional solder pads
- Flexible contact tail forming offers alternatives for custom applications
- Durable contact design withstands repeated card insertions in excess of 10,000 cycles
- Meets PC Card standards
- Materials are compatible with high temperature soldering processes
- Also offered with 50 Position Compact Flash Receptacle

**Specifications**



PART NUMBER

**952-13-68-XGCXX-90XX**



**PACKAGING**  
 TR=Tape and Reel  
 (OPTIONAL)  
**TAIL STYLE**  
 (see pages 9-12)  
**PACKAGING**  
 1 = 1 GROUND CLIP  
 2 = 2 GROUND CLIPS