



9N100

Preliminary

Power MOSFET

9A, 1000V N-CHANNEL POWER MOSFET

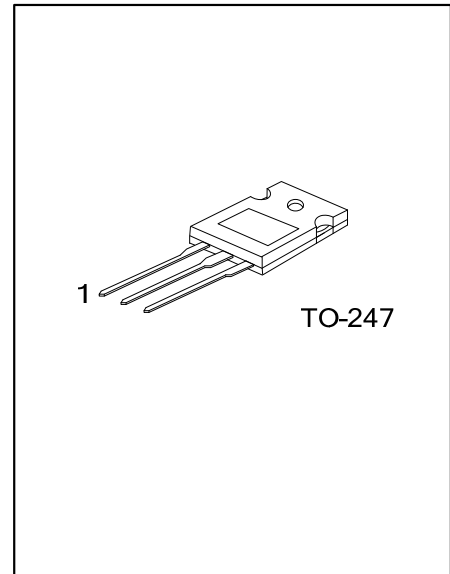
DESCRIPTION

The UTC **9N100** is an N-channel mode power MOSFET using UTC's advanced technology to provide costumers with planar stripe and DMOS technology. This technology allows a minimum on-state resistance and superior switching performance. It also can withstand high energy pulse in the avalanche and commutation mode.

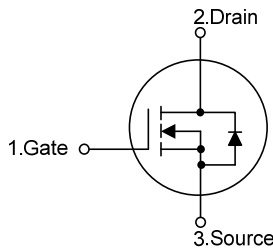
The UTC **9N100** is generally applied in high efficiency switch mode power supplies.

FEATURES

- * $R_{DS(ON)} < 1.7\Omega @ V_{GS}=10V$
- * Fast Switching Speed
- * 100% Avalanche Tested
- * Improved dv/dt Capability



SYMBOL



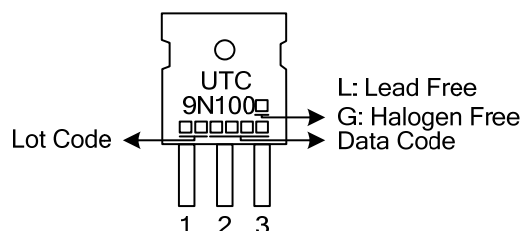
ORDERING INFORMATION

Ordering Number		Package	Pin Assignment			Packing
Lead Free	Halogen Free		1	2	3	
9N100L-T47-T	9N100G-T47-T	TO-247	G	D	S	Tube

Note: Pin Assignment: G: Gate D: Drain S: Source

<p>9N100L-T47-T</p> <p>(1)Packing Type (2)Package Type (3)Lead Free</p>	<p>(1) T: Tube (2) T47: TO-247 (3) L: Lead Free, G: Halogen Free</p>
---------------------------------------------------------------------------------	------------------------------------------------------------------------------

MARKING INFORMATION



ABSOLUTE MAXIMUM RATINGS

PARAMETER	SYMBOL	RATINGS	UNIT
Drain to Source Voltage	V_{DSS}	1000	V
Gate to Source Voltage	V_{GSS}	± 30	V
Continuous Drain Current ($T_C=25^\circ\text{C}$)	I_D	9	A
Pulsed Drain Current (Note 1)	I_{DM}	36	A
Avalanche Current (Note 1)	I_{AR}	9	A
Single Pulsed Avalanche Energy (Note 2)	E_{AS}	600	mJ
Peak Diode Recovery dv/dt (Note 3)	dv/dt	4.0	V/ns
Power Dissipation ($T_C=25^\circ\text{C}$)	P_D	160	W
Linear Derating Factor above $T_C=25^\circ\text{C}$		1.28	W/°C
Junction Temperature	T_J	+150	°C
Storage Temperature	T_{STG}	-55~+150	°C

- Note: 1. Repetitive Rating : Pulse width limited by maximum junction temperature
 2. $L=14.75\text{mH}$, $I_{AS}=9\text{A}$, $V_{DD}=50\text{V}$, $R_G=25\Omega$, Starting $T_J=25^\circ\text{C}$
 3. $I_{SD}\leq 9\text{A}$, $di/dt\leq 200\text{A}/\mu\text{s}$, $V_{DD}\leq BV_{DSS}$, Starting $T_J=25^\circ\text{C}$
 4. Absolute maximum ratings are those values beyond which the device could be permanently damaged.
 Absolute maximum ratings are stress ratings only and functional device operation is not implied.

■ THERMAL DATA

PARAMETER	SYMBOL	RATINGS	UNIT
Junction to Ambient	θ_{JA}	50	°C/W
Junction to Case	θ_{JC}	0.78	°C/W

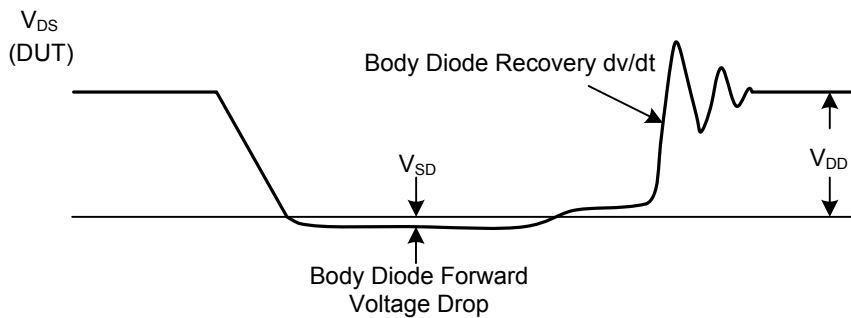
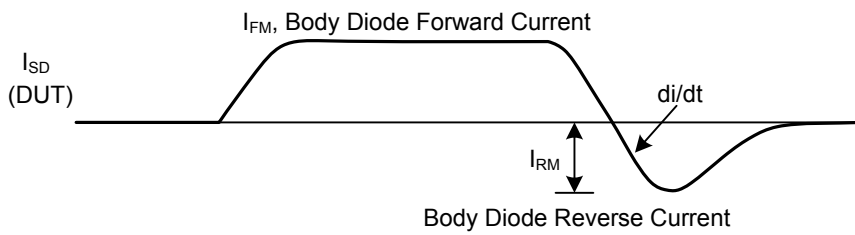
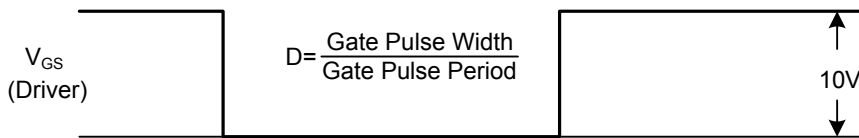
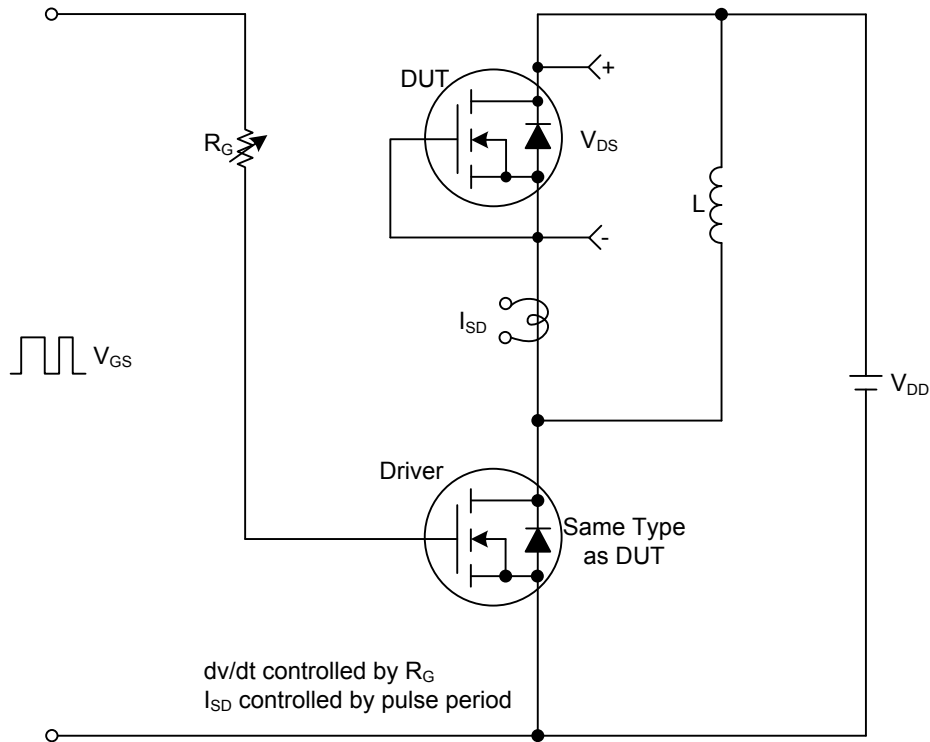
■ ELECTRICAL CHARACTERISTICS ($T_C=25^\circ\text{C}$, unless otherwise specified)

PARAMETER	SYMBOL	TEST CONDITIONS	MIN	TYP	MAX	UNIT
OFF CHARACTERISTICS						
Drain-Source Breakdown Voltage	BV_{DSS}	$V_{GS}=0\text{V}$, $I_D=250\mu\text{A}$	1000			V
Breakdown Voltage Temperature Coefficient	$\Delta BV_{DSS}/\Delta T_J$	$I_D=250\mu\text{A}$, Referenced to 25°C		1.4		V/°C
Drain-Source Leakage Current	I_{DSS}	$V_{DS}=1000\text{V}$, $V_{GS}=0\text{V}$			10	μA
		$V_{DS}=800\text{V}$, $T_C=125^\circ\text{C}$			100	μA
Gate-Source Leakage Current	I_{GSS}	$V_{DS}=0\text{V}$, $V_{GS}=\pm 30\text{V}$			± 100	nA
ON CHARACTERISTICS						
Gate Threshold Voltage	$V_{GS(TH)}$	$V_{DS}=V_{GS}$, $I_D=250\mu\text{A}$	3.0		5.0	V
Drain-Source On-State Resistance	$R_{DS(ON)}$	$V_{GS}=10\text{V}$, $I_D=4.5\text{A}$		1500	1700	m Ω
DYNAMIC PARAMETERS						
Input Capacitance	C_{ISS}	$V_{DS}=25\text{V}$, $V_{GS}=0\text{V}$, $f=1.0\text{MHz}$		960	3220	pF
Output Capacitance	C_{OSS}			160	255	pF
Reverse Transfer Capacitance	C_{RSS}			20	24	pF
SWITCHING PARAMETERS (Note 1, Note 2)						
Total Gate Charge	Q_G	$V_{DS}=120\text{V}$, $V_{GS}=10\text{V}$, $I_D=9\text{A}$		225	260	nC
Gate-Source Charge	Q_{GS}			22		nC
Gate-Drain Charge	Q_{GD}			58		nC
Turn-ON Delay Time	$t_{D(ON)}$	$V_{DD}=30\text{V}$, $I_D=1\text{A}$, $R_G=25\Omega$		100	110	ns
Turn-ON Rise Time	t_R			170	200	ns
Turn-OFF Delay Time	$t_{D(OFF)}$			350	400	ns
Turn-OFF Fall Time	t_F			175	190	ns
SOURCE- DRAIN DIODE RATINGS AND CHARACTERISTICS						
Maximum Body-Diode Continuous Current	I_S				9	A
Maximum Body-Diode Pulsed Current	I_{SM}				36	A
Drain-Source Diode Forward Voltage	V_{SD}	$I_S=9\text{A}$, $V_{GS}=0\text{V}$			1.4	V

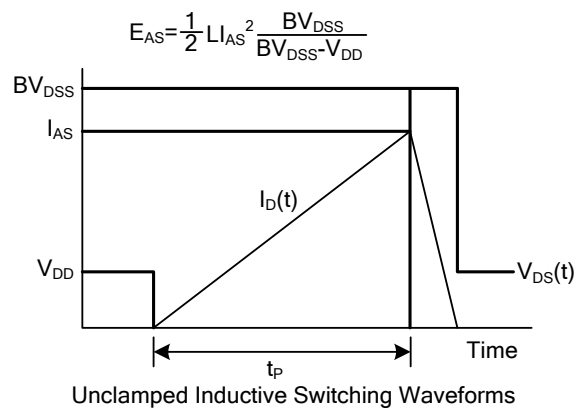
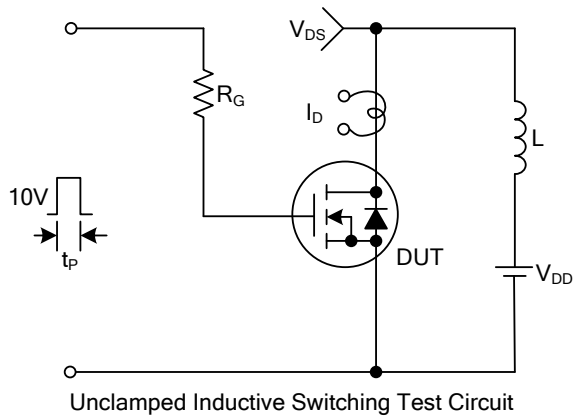
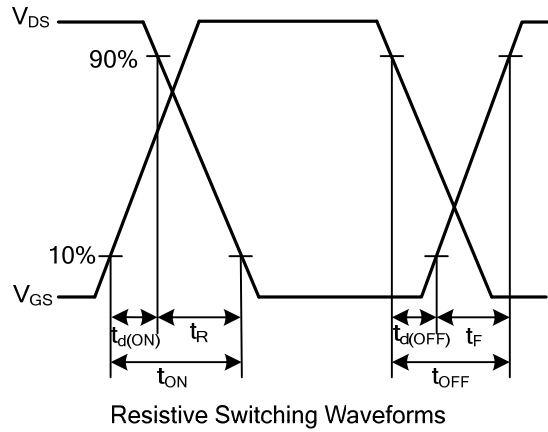
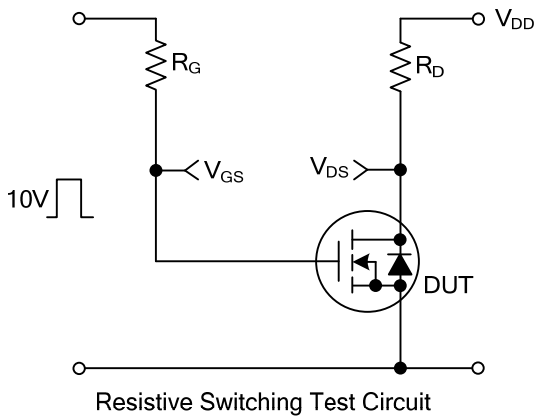
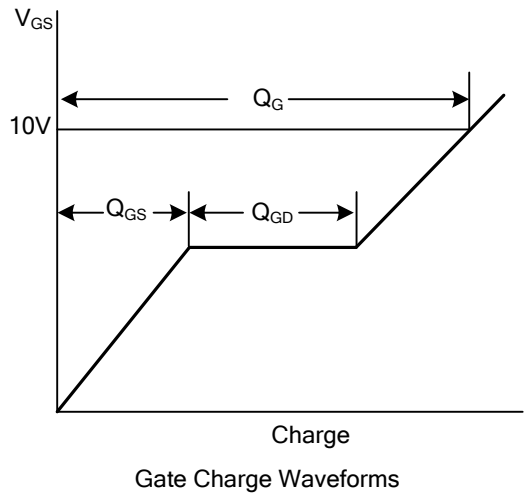
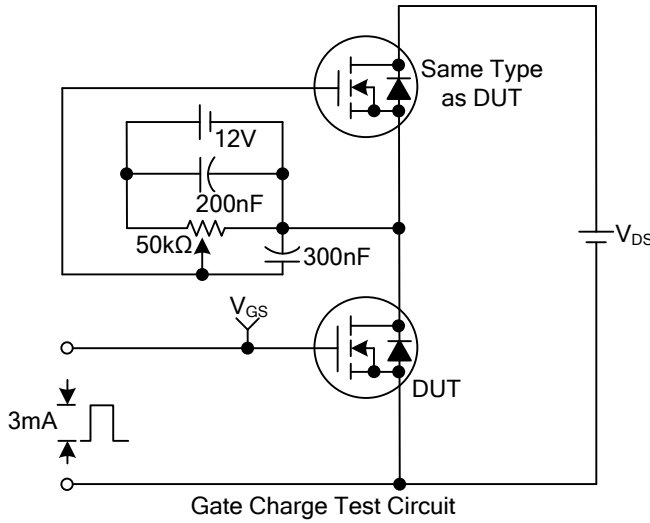
- Note: 1. Pulse Test: Pulse width $\leq 300\mu\text{s}$, Duty cycle $\leq 2\%$
 2. Essentially independent of operating temperature

■ TEST CIRCUITS AND WAVEFORMS

Peak Diode Recovery dv/dt Test Circuit & Waveforms



■ TEST CIRCUITS AND WAVEFORMS(Cont.)



UTC assumes no responsibility for equipment failures that result from using products at values that exceed, even momentarily, rated values (such as maximum ratings, operating condition ranges, or other parameters) listed in products specifications of any and all UTC products described or contained herein. UTC products are not designed for use in life support appliances, devices or systems where malfunction of these products can be reasonably expected to result in personal injury. Reproduction in whole or in part is prohibited without the prior written consent of the copyright owner. The information presented in this document does not form part of any quotation or contract, is believed to be accurate and reliable and may be changed without notice.