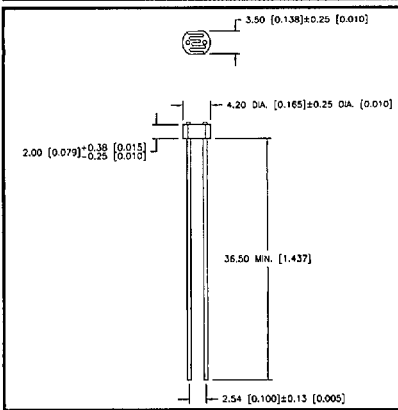
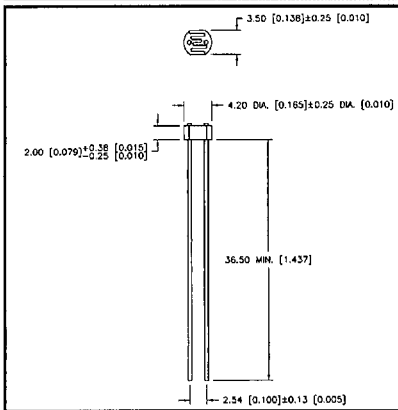


OED-PCC-9P5-2



Package Style	AC (V) Max	Measurement (Volts)	λ P (nm) Response	Resistance K θ @ 10 Lux Min Max	Dark Resistance M θ Min After 2 sec.	t-opr (°C)
T4.2 Ceramic	100	10	550	11 27	0.1	-25 ~ + 75

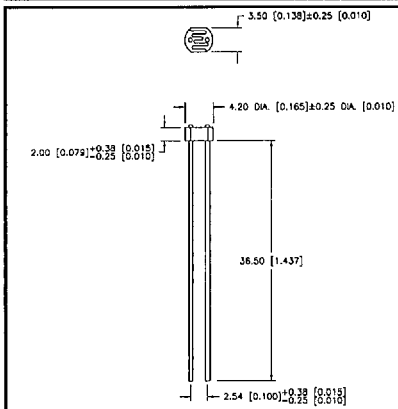
OED-PCC-9P5-3



Package Style	AC (V) Max	Measurement (Volts)	λ P (nm) Response	Resistance K θ @ 10 Lux Min Max	Dark Resistance M θ Min After 2 sec.	t-opr (°C)
T4.2 Ceramic	100	10	550	3 11	0.1	-25 ~ + 75

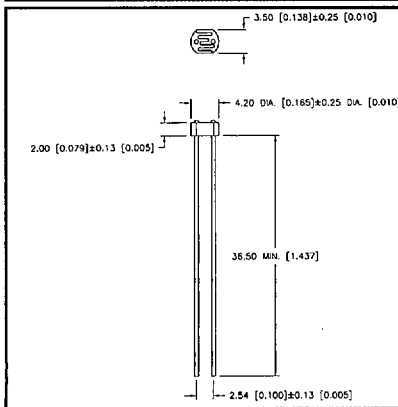
www.DataSheet4U.com

OED-PCC-9P5-1L



Package Style	AC (V) Max	Measurement (Volts)	λ P (nm) Response	Resistance K θ @ 10 Lux Min Max	Dark Resistance M θ Min After 2 sec.	t-opr (°C)
T4.2 Ceramic	100	10	550	25 60	2.0	-25 ~ + 75

OED-PCC-9P5-1H



Package Style	AC (V) Max	Measurement (Volts)	λ P (nm) Response	Resistance K θ @ 10 Lux Min Max	Dark Resistance M θ Min After 2 sec.	t-opr (°C)
T4.2 Ceramic	100	10	550	50 94	3.0	-25 ~ + 75

www.DataSheet4U.com