

This document was generated on 04/19/2010

PLEASE CHECK WWW.MOLEX.COM FOR LATEST PART INFORMATION

Part Number: **0416620011**
Status: **Active**
Description: 3.96mm (.156") Pitch KK® Header, Breakaway, Right Angle, 12 Circuits, 0.38µm (15µ") Gold (Au) Selective Plating

Documents:

[3D Model](#)
[Packaging Specification \(PDF\)](#)
[Drawing \(PDF\)](#)
[Product Specification PS-08-50 \(PDF\)](#)
[RoHS Certificate of Compliance \(PDF\)](#)

Agency Certification

CSA LR19980
 UL E29179

General

Product Family PCB Headers
 Series 41662
 Application Board-to-Board, Wire-to-Board
 Product Name KK®

Physical

Breakaway Yes
 Circuits (Loaded) 12
 Circuits (maximum) 12
 Color - Resin Black
 Durability (mating cycles max) 50
 First Mate / Last Break No
 Flammability 94V-0
 Glow-Wire Compliant No
 Guide to Mating Part No
 Keying to Mating Part None
 Lock to Mating Part None
 Material - Metal Brass
 Material - Plating Mating Gold
 Material - Resin Polyester
 Number of Rows 1
 Orientation Right Angle
 PC Tail Length (in) 0.184 In
 PC Tail Length (mm) 4.67 mm
 PCB Locator No
 PCB Retention None
 PCB Thickness Recommended (in) 0.062 In
 PCB Thickness Recommended (mm) 1.60 mm
 Packaging Type Bag
 Pitch - Mating Interface (in) 0.156 In
 Pitch - Mating Interface (mm) 3.96 mm
 Plating min: Mating (µin) 15
 Plating min: Mating (µm) 0.38
 Polarized to Mating Part Yes
 Polarized to PCB No
 Shrouded Partial
 Stackable No
 Temperature Range - Operating 0°C to +75°C
 Termination Interface: Style Through Hole

Electrical

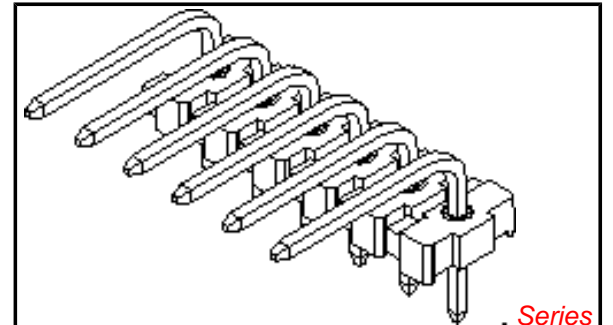


image - Reference only

. Series

EU RoHS

ELV and RoHS Compliant
REACH SVHC Contains SVHC: No
Halogen-Free Status

China RoHS



Not Reviewed

Need more information on product environmental compliance?

Email productcompliance@molex.com
 For a multiple part number RoHS Certificate of Compliance, [click here](#)

Please visit the [Contact Us](#) section for any non-product compliance questions.

Search Parts in this Series

41662Series

Mates With

2139 , 2145 , 6442 , 7674 , 7675 , 41695 , 41815

Current - Maximum per Contact 7A
Voltage - Maximum 250V

Solder Process Data

Duration at Max. Process Temperature (seconds) 5
Lead-free Process Capability Wave Capable (TH only)
Max. Cycles at Max. Process Temperature 1
Process Temperature max. C 235

Material Info

Old Part Number A-41662-B12Y208

Reference - Drawing Numbers

Product Specification PS-08-50
Sales Drawing SD-41662-001

This document was generated on 04/19/2010

PLEASE CHECK WWW.MOLEX.COM FOR LATEST PART INFORMATION

A-41662-* N * * - *

PACKAGING AND OPTIONS

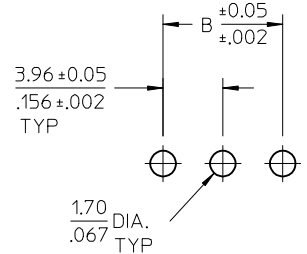
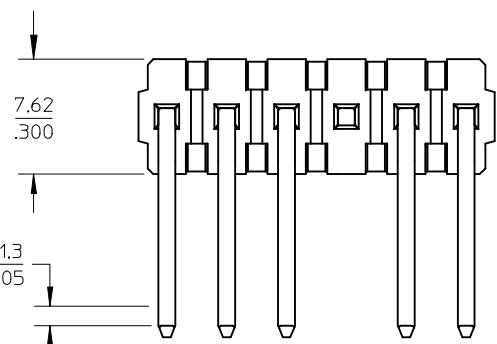
NO. OF CKTS.

PIN DIMENSIONS

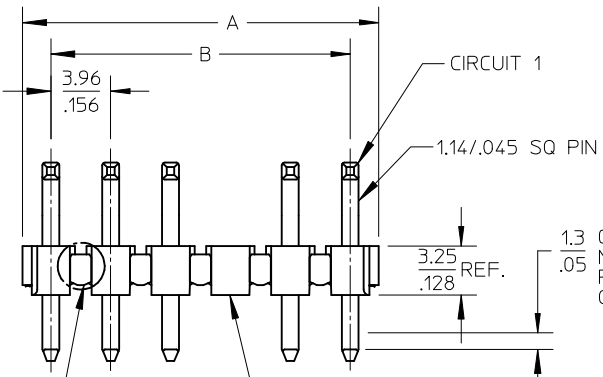
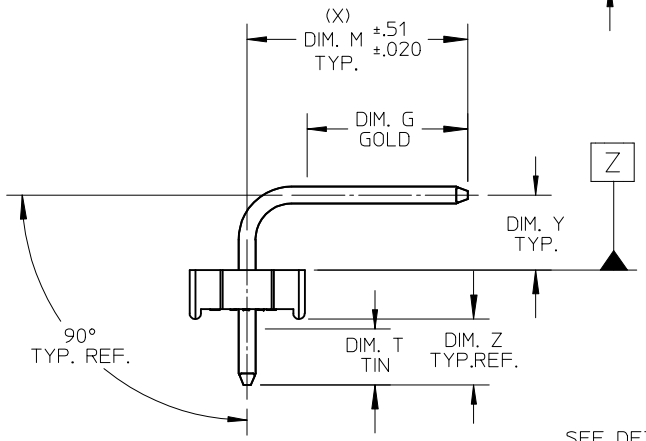
PLATING

VOID LOCATIONS:
 BLANK = NO VOIDS
 NO. = CKT NO. VOIDED
 MULT. VOIDS START WITH 51

CENTERLINE OF PIN IN AREA SHOWN NOT TO VARY FROM CENTERLINE OF PIN AT DATUM Z BY MORE THAN 0.20/.008 IN ANY DIRECTION.



PCB LAYOUT: COMPONENT SIDE
 RECOMMENDED PCB THICKNESS: (1.57 ± .18) / .062 ± .007



1.3 CENTERLINE OF PIN IN AREA SHOWN NOT TO VARY FROM CENTERLINE OF PIN AT DATUM Z BY MORE THAN 0.13/.005 IN ANY DIRECTION.

SEE DETAIL A

OPTIONAL VOIDED CKT. SEE CHART FOR LOCATIONS

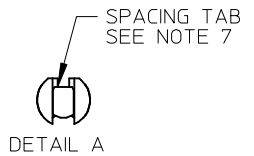
| CIRCUIT | B | A |
|---------|---------------|--------------------------------|
| 2 | 3.96 / .156 | 6.78 / 7.87 / .2677 / .310 |
| 3 | 7.92 / .312 | 10.74 / 11.84 / .4231 / .466 |
| 4 | 11.89 / .468 | 14.71 / 15.80 / .5791 / .622 |
| 5 | 15.85 / .624 | 18.67 / 19.76 / .7351 / .778 |
| 6 | 19.81 / .780 | 22.63 / 23.72 / .8917 / .934 |
| 7 | 23.77 / .936 | 26.59 / 27.69 / 1.0471 / 1.090 |
| 8 | 27.74 / 1.092 | 30.56 / 31.65 / 1.2031 / 1.246 |
| 9 | 31.70 / 1.248 | 34.52 / 35.61 / 1.3591 / 1.402 |
| 10 | 35.66 / 1.404 | 38.48 / 39.57 / 1.5151 / 1.558 |
| 11 | 39.62 / 1.560 | 42.44 / 43.54 / 1.6711 / 1.714 |
| 12 | 43.59 / 1.716 | 46.41 / 47.50 / 1.8271 / 1.870 |
| 13 | 47.55 / 1.872 | 50.37 / 51.46 / 1.9831 / 2.026 |
| 14 | 51.51 / 2.028 | 54.33 / 55.42 / 2.1391 / 2.182 |
| 15 | 55.47 / 2.184 | 58.29 / 59.39 / 2.2951 / 2.338 |
| 16 | 59.44 / 2.340 | 62.26 / 63.35 / 2.4511 / 2.494 |
| 17 | 63.40 / 2.496 | 66.22 / 67.31 / 2.6071 / 2.650 |
| 18 | 67.36 / 2.652 | 70.18 / 71.27 / 2.7631 / 2.806 |
| 19 | 71.32 / 2.808 | 74.14 / 75.23 / 2.9191 / 2.962 |
| 20 | 75.29 / 2.964 | 78.11 / 79.20 / 3.0751 / 3.118 |
| 21 | 79.25 / 3.120 | 82.07 / 83.16 / 3.2311 / 3.274 |
| 22 | 83.21 / 3.276 | 86.03 / 87.12 / 3.3871 / 3.430 |
| 23 | 87.17 / 3.432 | 89.94 / 91.08 / 3.5431 / 3.586 |
| 24 | 91.14 / 3.588 | 93.85 / 95.00 / 3.6991 / 3.740 |

- NOTES:
- MATERIAL: GLASS FILLED POLYESTER, 94V-0, MOLDED BLACK
 - FINISH: PER SDES-88
 - (102) OVERALL TIN: 0.00508/.000200 MIN.
OVERALL COPPER UNDERPLATE: 0.00254/.000100 MIN.
 - (154) OVERALL TIN: 0.00254/.000100 MIN.
OVERALL NICKEL UNDERPLATE: 0.00127/.000050 MIN.
 - (208) SELECT GOLD: 0.00038/.000015 MIN.
* SELECT TIN: 0.00254/.000100 MIN.
OVERALL NICKEL UNDERPLATE: 0.00127/.000050 MIN.
 - (228) SELECT GOLD: 0.00076/.000030 MIN.
* SELECT TIN: 0.00254/.000100 MIN.
OVERALL NICKEL UNDERPLATE: 0.00127/.000050 MIN.
 - (501) OVERALL GOLD: 0.00051/.000020 MIN.
OVERALL NICKEL UNDERPLATE: 0.00076/.000030 MIN.

- PRODUCT SPECIFICATION: PS-08-50.
- PACKAGING INFORMATION: SEE CHARTS
- SOLDERABILITY: PER SMES-152.
- PIN PUSH-OUT FORCE: PRIOR TO SOLDERING, A 3 LB. MINIMUM FORCE (IN EITHER DIRECTION) SHALL BE REQUIRED TO PUSH THE PIN OUT OF THE HEADER.
- PARTS ARE STACKABLE END TO END ON 3.96/.156 CENTERS. (SPACING TABS MUST BE REMOVED ON CIRCUIT SIZES 1-23 BEFORE PARTS ARE STACKABLE.)
- THE PRIMARY SHIPPING CARTON WILL BE LABELED, "COMPLIANT TO RoHS DIRECTIVE 2002/95/EC AND ELV ANNEX II OF DIRECTIVE 2000/53/EC". CARTONS WITHOUT THIS LABEL MAY CONTAIN PRODUCT WITH TIN-LEAD PLATING.
- THIS PART CONFORMS TO CLASS B REQUIREMENTS OF COSMETIC SPECIFICATION PS-45499-002.

| | |
|------|------|
| 2-* | AH7 |
| 1 | REV. |
| SHT. | REV. |

www.DataSheet4U.com



| | |
|--------------------------|-----------------|
| REMOVE 41662-0684 | QUALITY SYMBOLS |
| EC NO: UCP2010-0149 | ▽=0 |
| DRWN:MKLIPPER 2009/08/05 | ∇=0 |
| CHKD:SSOUSEK 2009/08/10 | |
| APPR:FSM TH 2009/08/11 | |
| DESCRIPTION | |
| REV | |
| AH7 | |

| GENERAL TOLERANCES (UNLESS SPECIFIED) | |
|--|-----------------|
| | MM/IN |
| 4 PLACES | ± --- / ± --- |
| 3 PLACES | ± --- / ± .010 |
| 2 PLACES | ± 0.25 / ± .014 |
| 1 PLACE | ± 0.36 / ± --- |
| ANGULAR ±1/2° | |
| DRAFT WHERE APPLICABLE MUST REMAIN WITHIN DIMENSIONS | |

| DIMENSION STYLE | |
|-----------------|------------|
| MM/IN | |
| DRAWN BY | DATE |
| JSCHAFFER | 2003/09/15 |
| CHECKED BY | DATE |
| KSAMIEC | 2003/09/15 |
| APPROVED BY | DATE |
| MARGULIS | 2003/09/15 |
| MATERIAL NO. | |
| SEE CHART | |
| SIZE | |
| A | |

| SCALE | DESIGN UNITS | THIRD ANGLE PROJECTION | |
|---|--------------|------------------------|------|
| 4:1 | INCH | 2-* | AH7 |
| TITLE | | 1 | REV. |
| KK .156 HEADER ASSEMBLY FLAT BREAKAWAY 2-24 CKTS. | | SHT. | REV. |
| MOLEX INCORPORATED | | | |
| DOCUMENT NO. | | SHEET NO. | |
| SD-41662-001 | | 1 OF 12 | |
| THIS DRAWING CONTAINS INFORMATION THAT IS PROPRIETARY TO MOLEX INCORPORATED AND SHOULD NOT BE USED WITHOUT WRITTEN PERMISSION | | | |