

This document was generated on 04/19/2010

**PLEASE CHECK WWW.MOLEX.COM FOR LATEST PART INFORMATION**

**Part Number:** **0416620046**  
**Status:** **Active**  
**Description:** 3.96mm (.156") Pitch KK® Header, Breakaway, Right Angle, 24 Circuits, 0.76µm (30µ") Gold (Au) Selective Plating

**Documents:**

[3D Model](#) [Product Specification PS-08-50 \(PDF\)](#)  
[Drawing \(PDF\)](#) [RoHS Certificate of Compliance \(PDF\)](#)  
[Packaging Specification \(PDF\)](#)

**Agency Certification**

CSA LR19980  
 UL E29179

**General**

Product Family PCB Headers  
 Series 41662  
 Application Board-to-Board, Wire-to-Board  
 Product Name KK®

**Physical**

Breakaway Yes  
 Circuits (Loaded) 24  
 Circuits (maximum) 24  
 Color - Resin Black  
 Durability (mating cycles max) 25  
 First Mate / Last Break No  
 Flammability 94V-0  
 Glow-Wire Compliant No  
 Guide to Mating Part No  
 Keying to Mating Part None  
 Lock to Mating Part None  
 Material - Metal Brass  
 Material - Plating Mating Gold  
 Material - Plating Termination Tin  
 Material - Resin Polyester  
 Number of Rows 1  
 Orientation Right Angle  
 PC Tail Length (in) 0.182 In  
 PC Tail Length (mm) 4.63 mm  
 PCB Locator No  
 PCB Retention None  
 PCB Thickness Recommended (in) 0.062 In  
 PCB Thickness Recommended (mm) 1.57 mm  
 Packaging Type Bag  
 Pitch - Mating Interface (in) 0.156 In  
 Pitch - Mating Interface (mm) 3.96 mm  
 Pitch - Term. Interface (in) 0.156 In  
 Pitch - Term. Interface (mm) 3.96 mm  
 Plating min: Mating (µin) 30  
 Plating min: Mating (µm) 0.75  
 Plating min: Termination (µin) 100  
 Plating min: Termination (µm) 2.5  
 Polarized to Mating Part No  
 Polarized to PCB No  
 Shrouded No

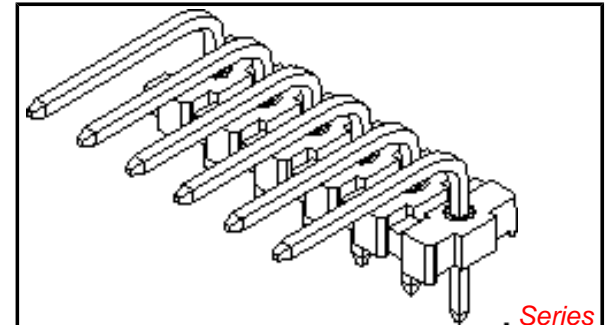


image - Reference only

**EU RoHS**

**ELV and RoHS  
 Compliant**  
**REACH SVHC  
 Contains SVHC: No**  
**Halogen-Free  
 Status**

**China RoHS**



**Not Reviewed**

**Need more information on product  
 environmental compliance?**

Email [productcompliance@molex.com](mailto:productcompliance@molex.com)  
 For a multiple part number RoHS Certificate of  
 Compliance, [click here](#)

Please visit the [Contact Us](#) section for any  
 non-product compliance questions.

**Search Parts in this Series**

41662Series

**Mates With**

2139 , 2145 , 41695 , 41815 , 644 , 7674 ,  
 7675

Stackable	Yes
Surface Mount Compatible (SMC)	No
Temperature Range - Operating	0°C to +50°C
Termination Interface: Style	Through Hole

**Electrical**

Current - Maximum per Contact	4.5A
Voltage - Maximum	250V

**Solder Process Data**

Duration at Max. Process Temperature (seconds)	5
Lead-free Process Capability	Wave Capable (TH only)
Max. Cycles at Max. Process Temperature	1
Process Temperature max. C	235

**Material Info**

Old Part Number	A-41662-B24Y228
-----------------	-----------------

**Reference - Drawing Numbers**

Product Specification	PS-08-50
Sales Drawing	SD-41662-001

This document was generated on 04/19/2010

**PLEASE CHECK WWW.MOLEX.COM FOR LATEST PART INFORMATION**

A-41662-\* N \* \* - \*

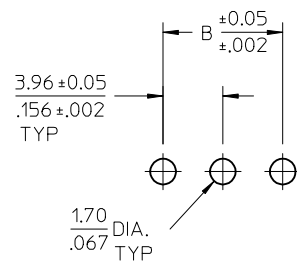
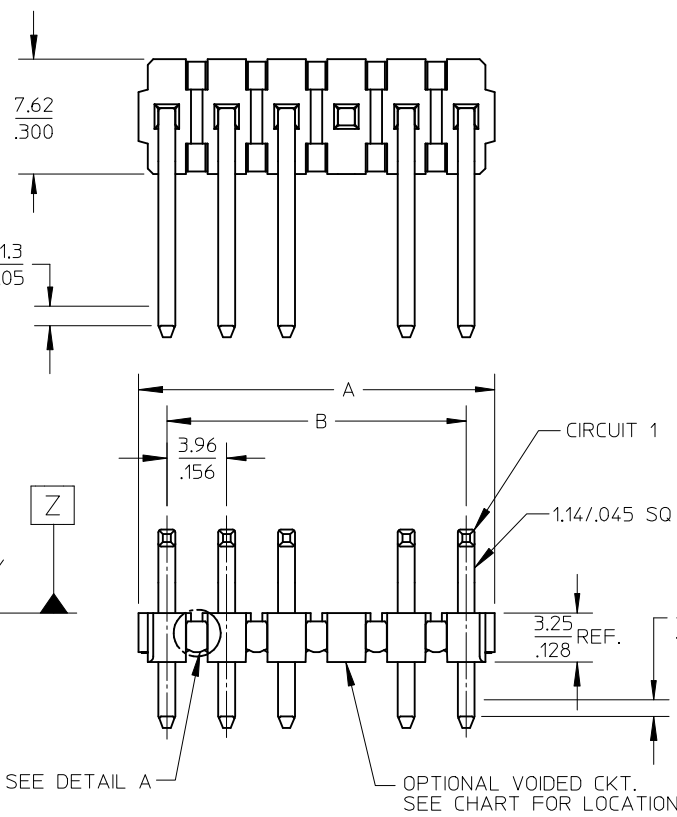
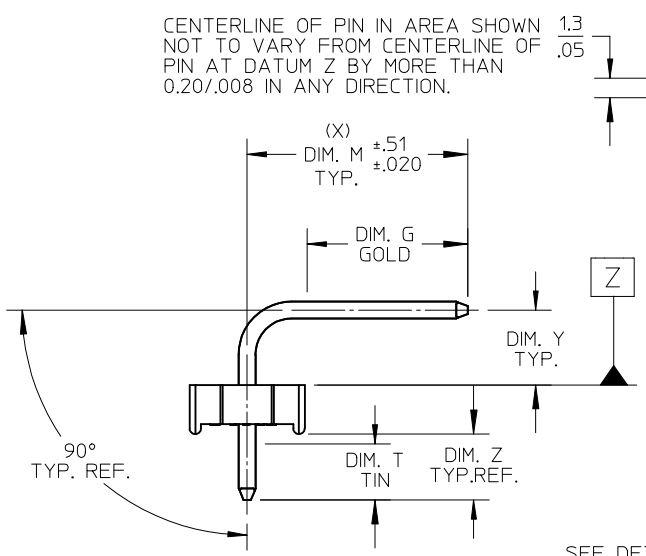
PACKAGING AND OPTIONS

NO. OF CKTS.

PIN DIMENSIONS

PLATING

VOID LOCATIONS:  
BLANK = NO VOIDS  
NO.= CKT NO. VOIDED  
MULT. VOIDS START WITH 51



PCB LAYOUT: COMPONENT SIDE  
RECOMMENDED PCB THICKNESS:  
(1.57±.18)/.062±.007

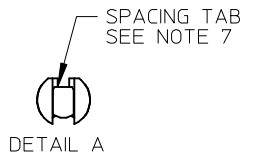
- NOTES:
- MATERIAL: GLASS FILLED POLYESTER, 94V-0, MOLDED BLACK
  - FINISH: PER SDES-88
  - (102) OVERALL TIN: 0.00508/.000200 MIN.  
OVERALL COPPER UNDERPLATE: 0.00254/.000100 MIN.
  - (154) OVERALL TIN: 0.00254/.000100 MIN.  
OVERALL NICKEL UNDERPLATE: 0.00127/.000050 MIN.
  - (208) SELECT GOLD: 0.00038/.000015 MIN.  
\* SELECT TIN: 0.00254/.000100 MIN  
OVERALL NICKEL UNDERPLATE: 0.00127/.000050 MIN.
  - (228) SELECT GOLD: 0.00076/.000030 MIN.  
\* SELECT TIN: 0.00254/.000100 MIN.  
OVERALL NICKEL UNDERPLATE: 0.00127/.000050 MIN.
  - (501) OVERALL GOLD: 0.00051/.000020 MIN.  
OVERALL NICKEL UNDERPLATE: 0.00076/.000030 MIN.

- PRODUCT SPECIFICATION: PS-08-50.
- PACKAGING INFORMATION: SEE CHARTS
- SOLDERABILITY: PER SMES-152.
- PIN PUSH-OUT FORCE: PRIOR TO SOLDERING, A 3 LB. MINIMUM FORCE (IN EITHER DIRECTION) SHALL BE REQUIRED TO PUSH THE PIN OUT OF THE HEADER.
- PARTS ARE STACKABLE END TO END ON 3.96/.156 CENTERS. (SPACING TABS MUST BE REMOVED ON CIRCUIT SIZES 1-23 BEFORE PARTS ARE STACKABLE.)
- THE PRIMARY SHIPPING CARTON WILL BE LABELED, "COMPLIANT TO RoHS DIRECTIVE 2002/95/EC AND ELV ANNEX II OF DIRECTIVE 2000/53/EC". CARTONS WITHOUT THIS LABEL MAY CONTAIN PRODUCT WITH TIN-LEAD PLATING.
- THIS PART CONFORMS TO CLASS B REQUIREMENTS OF COSMETIC SPECIFICATION PS-45499-002.

CIRCUIT	B	A
2	3.96 .156	6.78/7.87 .2677/.310
3	7.92 .312	10.74/11.84 .4231/.466
4	11.89 .468	14.71/15.80 .5791/.622
5	15.85 .624	18.67/19.76 .7351/.778
6	19.81 .780	22.63/23.72 .8917/.934
7	23.77 .936	26.59/27.69 1.047/1.090
8	27.74 1.092	30.56/31.65 1.203/1.246
9	31.70 1.248	34.52/35.61 1.359/1.402
10	35.66 1.404	38.48/39.57 1.515/1.558
11	39.62 1.560	42.44/43.54 1.671/1.714
12	43.59 1.716	46.41/47.50 1.827/1.870
13	47.55 1.872	50.37/51.46 1.983/2.026
14	51.51 2.028	54.33/55.42 2.139/2.182
15	55.47 2.184	58.29/59.39 2.295/2.338
16	59.44 2.340	62.26/63.35 2.451/2.494
17	63.40 2.496	66.22/67.31 2.607/2.650
18	67.36 2.652	70.18/71.27 2.763/2.806
19	71.32 2.808	74.14/75.23 2.919/2.962
20	75.29 2.964	78.11/79.20 3.075/3.118
21	79.25 3.120	82.07/83.16 3.231/3.274
22	83.21 3.276	86.03/87.12 3.387/3.430
23	87.17 3.432	89.94/91.08 3.541/3.586
24	91.14 3.588	93.85/95.00 3.695/3.740

2-*	AH7
1	
SHT.	REV.

www.DataSheet4U.com



REMOVE 41662-0684	2009/08/05	QUALITY SYMBOLS
EC NO: UCP2010-0149	2009/08/10	▽=0
DRWN:MKLIPPER	2009/08/11	∇=0
CHKD:SSOUSEK		
APPR:FSM TH		
REV	DESCRIPTION	
AH7		

GENERAL TOLERANCES (UNLESS SPECIFIED)	
	MM/IN
4 PLACES	± --- / ± ---
3 PLACES	± --- / ± .010
2 PLACES	± 0.25 / ± .014
1 PLACE	± 0.36 / ± ---
ANGULAR ±1/2°	
DRAFT WHERE APPLICABLE MUST REMAIN WITHIN DIMENSIONS	

DIMENSION STYLE	
MM/IN	
DRAWN BY	DATE
JSCHAFFER	2003/09/15
CHECKED BY	DATE
KSAMIEC	2003/09/15
APPROVED BY	DATE
MARGULIS	2003/09/15
MATERIAL NO.	
SEE CHART	

SCALE	DESIGN UNITS	THIRD ANGLE PROJECTION
4:1	INCH	☉
TITLE		
KK .156 HEADER ASSEMBLY FLAT BREAKAWAY 2-24 CKTS.		
MOLEX MOLEX INCORPORATED		
DOCUMENT NO.	SHEET NO.	
SD-41662-001	1 OF 12	

A-41662-ANA102-*					
HEADER NUMBER:		41185-A-AN			
PIN NUMBER:		2161-19(102)			
PLATING		102			
PIN LENGTH: L		26.21 / 1.032			
MATING LENGTH: X		14.61 / .575			
GOLD POINT: G		N/A			
PIN HEIGHT: Y		4.95 / .195			
PC TAIL LENGTH: Z		4.67 / .184			
TIN: T		OVERALL			
CKTS:		2-24			
VOIDED CKTS:		SEE TABLE			
PACKAGING:		BULK PK-41662-001			
MATERIAL NUMBER	ENG NUMBER	VOIDS	MATERIAL NUMBER	ENG NUMBER	VOIDS
26-48-1022	-A02A102		26-48-1192	-A19A102	
26-48-1032	-A03A102		26-48-1202	-A20A102	
26-48-1042	-A04A102		26-48-1212	-A21A102	
26-48-1052	-A05A102		26-48-1222	-A22A102	
26-48-1062	-A06A102		26-48-1232	-A23A102	
26-48-1072	-A07A102		26-48-1242	-A24A102	
26-48-1082	-A08A102		26-50-3117	-A11A102-51	2, 4, 6, 8, 10
26-48-1092	-A09A102		26-50-5082	-A08A102-3	3
26-48-1102	-A10A102		41662-0201	-A24A102-51	2, 4, 6
26-48-1112	-A11A102		41662-0202	-A17A102-2	2
26-48-1122	-A12A102		41662-0203	-A19A102-2	2
26-48-1132	-A13A102		41662-0204	-A14A102-51	3, 4, 7, 8, 11, 12
26-48-1142	-A14A102		41662-0205	-A05A102-3	3
26-48-1152	-A15A102				
26-48-1162	-A16A102				
26-48-1172	-A17A102				
26-48-1182	-A18A102				

A-41662-BNY208-*					
HEADER NUMBER:		41185-A-AN			
PIN NUMBER:		43294-0497			
PLATING		208			
PIN LENGTH: L		26.16 / 1.030			
MATING LENGTH: X		14.61 / .575			
GOLD POINT: G		6.86 / .270			
PIN HEIGHT: Y		4.95 / .195			
PC TAIL LENGTH: Z		4.63 / .182			
TIN: T		5.08 / .200			
CKTS:		2-24			
VOIDED CKTS:		NONE			
PACKAGING:		BULK PK-41662-001			
MATERIAL NUMBER	ENG NUMBER	VOIDS	MATERIAL NUMBER	ENG NUMBER	VOIDS
41662-0001	-B02Y208		41662-0018	-B19Y208	
41662-0002	-B03Y208		41662-0019	-B20Y208	
41662-0003	-B04Y208		41662-0020	-B21Y208	
41662-0004	-B05Y208		41662-0021	-B22Y208	
41662-0005	-B06Y208		41662-0022	-B23Y208	
41662-0006	-B07Y208		41662-0023	-B24Y208	
41662-0007	-B08Y208				
41662-0008	-B09Y208				
41662-0009	-B10Y208				
41662-0010	-B11Y208				
41662-0011	-B12Y208				
41662-0012	-B13Y208				
41662-0013	-B14Y208				
41662-0014	-B15Y208				
41662-0015	-B16Y208				
41662-0016	-B17Y208				
41662-0017	-B18Y208				

www.DataSheet4U.com

REV: <b>AH7</b>	ECR/ECN INFORMATION: EC No.: <b>UCP2010-0149</b> DATE: <b>8/11/2009</b>	TITLE: <b>KK .156 HEADER ASSEMBLY FLAT BREAKAWAY, 2-24 CKTS.</b>	SHEET No. <b>- 2 -</b>
DOCUMENT NUMBER: <b>SD- 41662 -001</b>	CREATED / REVISED BY: <b>MKIPPER</b>	CHECKED BY: <b>SSOUSEK</b>	APPROVED BY: <b>FSMITH</b>

A-41662-BNY228-*					
HEADER NUMBER:		41185-A-AN			
PIN NUMBER:		43294-0498			
PLATING		228			
PIN LENGTH: L		26.16 / 1.030			
MATING LENGTH: X		14.61 / .575			
GOLD POINT: G		6.86 / .270			
PIN HEIGHT: Y		4.95 / .195			
PC TAIL LENGTH: Z		4.63 / .182			
TIN: T		5.08 / .200			
CKTS:		2-24			
VOIDED CKTS:		NONE			
PACKAGING:		BULK PK-41662-001			
MATERIAL NUMBER	ENG NUMBER	VOIDS	MATERIAL NUMBER	ENG NUMBER	VOIDS
41662-0024	-B02Y228		41662-0041	-B19Y228	
41662-0025	-B03Y228		41662-0042	-B20Y228	
41662-0026	-B04Y228		41662-0043	-B21Y228	
41662-0027	-B05Y228		41662-0044	-B22Y228	
41662-0028	-B06Y228		41662-0045	-B23Y228	
41662-0029	-B07Y228		41662-0046	-B24Y228	
41662-0030	-B08Y228				
41662-0031	-B09Y228				
41662-0032	-B10Y228				
41662-0033	-B11Y228				
41662-0034	-B12Y228				
41662-0035	-B13Y228				
41662-0036	-B14Y228				
41662-0037	-B15Y228				
41662-0038	-B16Y228				
41662-0039	-B17Y228				
41662-0040	-B18Y228				

A-41662-ANA154-*					
HEADER NUMBER:		41185-A-AN			
PIN NUMBER:		2161-19(154)			
PLATING		154			
PIN LENGTH: L		26.21 / 1.032			
MATING LENGTH: X		14.61 / .575			
GOLD POINT: G		N/A			
PIN HEIGHT: Y		4.95 / .195			
PC TAIL LENGTH: Z		4.67 / .184			
TIN: T		OVERALL			
CKTS:		2-24			
VOIDED CKTS:		NONE			
PACKAGING:		BULK PK-41662-001			
MATERIAL NUMBER	ENG NUMBER	VOIDS	MATERIAL NUMBER	ENG NUMBER	VOIDS
	-A02A154			-A19A154	
	-A03A154			-A20A154	
	-A04A154			-A21A154	
	-A05A154			-A22A154	
	-A06A154			-A23A154	
	-A07A154			-A24A154	
	-A08A154				
	-A09A154				
	-A10A154				
	-A11A154				
	-A12A154				
	-A13A154				
41662-1142	-A14A154				
	-A15A154				
	-A16A154				
	-A17A154				
	-A18A154				

www.DataSheet4U.com

REV: <b>AH7</b>	ECR/ECN INFORMATION: EC No.: <b>UCP2010-0149</b> DATE: <b>8/11/2009</b>	TITLE: <b>KK .156 HEADER ASSEMBLY FLAT BREAKAWAY, 2-24 CKTS.</b>	SHEET No. <b>- 3 -</b>
DOCUMENT NUMBER: <b>SD- 41662 -001</b>	CREATED / REVISED BY: <b>MKIPPER</b>	CHECKED BY: <b>SSOUSEK</b>	APPROVED BY: <b>FSMITH</b>

A-41662-ANB102-*					
HEADER NUMBER:		41185-A-AN			
PIN NUMBER:		2161-23(102)			
PLATING		102			
PIN LENGTH: L		31.24 / 1.230			
MATING LENGTH: X		19.69 / .775			
GOLD POINT: G		N/A			
PIN HEIGHT: Y		4.95 / .195			
PC TAIL LENGTH: Z		4.62 / .182			
TIN: T		OVERALL			
CKTS:		2-24			
VOIDED CKTS:		NONE			
PACKAGING:		BULK PK-41662-001			
MATERIAL NUMBER	ENG NUMBER	VOIDS	MATERIAL NUMBER	ENG NUMBER	VOIDS
26-48-6022	-A02B102		26-48-6192	-A19B102	
26-48-6032	-A03B102		26-48-6202	-A20B102	
26-48-6042	-A04B102		26-48-6212	-A21B102	
26-48-6052	-A05B102		26-48-6222	-A22B102	
26-48-6062	-A06B102		26-48-6232	-A23B102	
26-48-6072	-A07B102		26-48-6242	-A24B102	
26-48-6082	-A08B102				
26-48-6092	-A09B102				
26-48-6102	-A10B102				
26-48-6112	-A11B102				
26-48-6122	-A12B102				
26-48-6132	-A13B102				
26-48-6142	-A14B102				
26-48-6152	-A15B102				
26-48-6162	-A16B102				
26-48-6172	-A17B102				
26-48-6182	-A18B102				

A-41662-BNB208-*					
HEADER NUMBER:		41185-A-AN			
PIN NUMBER:		43294-0686			
PLATING		208			
PIN LENGTH: L		31.24 / 1.230			
MATING LENGTH: X		19.69 / .775			
GOLD POINT: G		11.30 / .445			
PIN HEIGHT: Y		4.95 / .195			
PC TAIL LENGTH: Z		4.62 / .182			
TIN: T		5.08 / .200			
CKTS:		2-24			
VOIDED CKTS:		NONE			
PACKAGING:		BULK PK-41662-001			
MATERIAL NUMBER	ENG NUMBER	VOIDS	MATERIAL NUMBER	ENG NUMBER	VOIDS
41662-0047	-B02B208		41662-0064	-B19B208	
41662-0048	-B03B208		41662-0065	-B20B208	
41662-0049	-B04B208		41662-0066	-B21B208	
41662-0050	-B05B208		41662-0067	-B22B208	
41662-0051	-B06B208		41662-0068	-B23B208	
41662-0052	-B07B208		41662-0069	-B24B208	
41662-0053	-B08B208				
41662-0054	-B09B208				
41662-0055	-B10B208				
41662-0056	-B11B208				
41662-0057	-B12B208				
41662-0058	-B13B208				
41662-0059	-B14B208				
41662-0060	-B15B208				
41662-0061	-B16B208				
41662-0062	-B17B208				
41662-0063	-B18B208				

www.DataSheet4U.com

REV: <b>AH7</b>	ECR/ECN INFORMATION: EC No.: <b>UCP2010-0149</b> DATE: <b>8/11/2009</b>	TITLE: <b>KK .156 HEADER ASSEMBLY FLAT BREAKAWAY, 2-24 CKTS.</b>	SHEET No. <b>- 4 -</b>
DOCUMENT NUMBER: <b>SD- 41662 -001</b>	CREATED / REVISED BY: <b>MKIPPER</b>	CHECKED BY: <b>SSOUSEK</b>	APPROVED BY: <b>FSMITH</b>

A-41662-BNB228-*					
HEADER NUMBER:		41185-A-AN			
PIN NUMBER:		43294-0687			
PLATING		228			
PIN LENGTH: L		31.24 / 1.230			
MATING LENGTH: X		19.69 / .775			
GOLD POINT: G		11.30 / .445			
PIN HEIGHT: Y		4.95 / .195			
PC TAIL LENGTH: Z		4.62 / .182			
TIN: T		5.08 / .200			
CKTS:		2-24			
VOIDED CKTS:		NONE			
PACKAGING:		BULK PK-41662-001			
MATERIAL NUMBER	ENG NUMBER	VOIDS	MATERIAL NUMBER	ENG NUMBER	VOIDS
41662-0070	-B02B228		41662-0087	-B19B228	
41662-0071	-B03B228		41662-0088	-B20B228	
41662-0072	-B04B228		41662-0089	-B21B228	
41662-0073	-B05B228		41662-0090	-B22B228	
41662-0074	-B06B228		41662-0091	-B23B228	
41662-0075	-B07B228		41662-0092	-B24B228	
41662-0076	-B08B228				
41662-0077	-B09B228				
41662-0078	-B10B228				
41662-0079	-B11B228				
41662-0080	-B12B228				
41662-0081	-B13B228				
41662-0082	-B14B228				
41662-0083	-B15B228				
41662-0084	-B16B228				
41662-0085	-B17B228				
41662-0086	-B18B228				

A-41662-ANA501-*					
HEADER NUMBER:		41185-A-AN			
PIN NUMBER:		2161-19(501)			
PLATING		501			
PIN LENGTH: L		26.21 / 1.032			
MATING LENGTH: X		14.61 / .575			
GOLD POINT: G		OVERALL			
PIN HEIGHT: Y		4.95 / .195			
PC TAIL LENGTH: Z		4.67 / .184			
TIN: T		N/A			
CKTS:		2-24			
VOIDED CKTS:		NONE			
PACKAGING:		BULK PK-41662-001			
MATERIAL NUMBER	ENG NUMBER	VOIDS	MATERIAL NUMBER	ENG NUMBER	VOIDS
26-48-2022	-A02A501		26-48-2192	-A19A501	
26-48-2032	-A03A501		26-48-2202	-A20A501	
26-48-2042	-A04A501		26-48-2212	-A21A501	
26-48-2052	-A05A501		26-48-2222	-A22A501	
26-48-2062	-A06A501		26-48-2232	-A23A501	
26-48-2072	-A07A501		26-48-2242	-A24A501	
26-48-2082	-A08A501				
26-48-2092	-A09A501				
26-48-2102	-A10A501				
26-48-2112	-A11A501				
26-48-2122	-A12A501				
26-48-2132	-A13A501				
26-48-2142	-A14A501				
26-48-2152	-A15A501				
26-48-2162	-A16A501				
26-48-2172	-A17A501				
26-48-2182	-A18A501				

www.DataSheet4U.com

REV: <b>AH7</b>	ECR/ECN INFORMATION: EC No.: <b>UCP2010-0149</b> DATE: <b>8/11/2009</b>	TITLE: <b>KK .156 HEADER ASSEMBLY FLAT BREAKAWAY, 2-24 CKTS.</b>	SHEET No. <b>- 5 -</b>
DOCUMENT NUMBER: <b>SD- 41662 -001</b>	CREATED / REVISED BY: <b>MKIPPER</b>	CHECKED BY: <b>SSOUSEK</b>	APPROVED BY: <b>FSMITH</b>

A-41662-ANB501-*					
HEADER NUMBER:		41185-A-AN			
PIN NUMBER:		2161-23(501)			
PLATING		501			
PIN LENGTH: L		31.24 / 1.230			
MATING LENGTH: X		19.69 / .775			
GOLD POINT: G		OVERALL			
PIN HEIGHT: Y		4.95 / .195			
PC TAIL LENGTH: Z		4.62 / .182			
TIN: T		N/A			
CKTS:		2-24			
VOIDED CKTS:		NONE			
PACKAGING:		BULK PK-41662-001			
MATERIAL NUMBER	ENG NUMBER	VOIDS	MATERIAL NUMBER	ENG NUMBER	VOIDS
26-48-5022	-A02B501		26-48-5192	-A19B501	
26-48-5032	-A03B501		26-48-5202	-A20B501	
26-48-5042	-A04B501		26-48-5212	-A21B501	
26-48-5052	-A05B501		26-48-5222	-A22B501	
26-48-5062	-A06B501		26-48-5232	-A23B501	
26-48-5072	-A07B501		26-48-5242	-A24B501	
26-48-5082	-A08B501				
26-48-5092	-A09B501				
26-48-5102	-A10B501				
26-48-5112	-A11B501				
26-48-5122	-A12B501				
26-48-5132	-A13B501				
26-48-5142	-A14B501				
26-48-5152	-A15B501				
26-48-5162	-A16B501				
26-48-5172	-A17B501				
26-48-5182	-A18B501				

A-41662-ANC102-*					
HEADER NUMBER:		41185-A-AN			
PIN NUMBER:		2161-37(102)			
PLATING		102			
PIN LENGTH: L		27.94 / 1.100			
MATING LENGTH: X		14.61 / .575			
GOLD POINT: G		N/A			
PIN HEIGHT: Y		6.63 / .261			
PC TAIL LENGTH: Z		4.72 / .186			
TIN: T		OVERALL			
CKTS:		2-24			
VOIDED CKTS:		NONE			
PACKAGING:		BULK PK-41662-001			
MATERIAL NUMBER	ENG NUMBER	VOIDS	MATERIAL NUMBER	ENG NUMBER	VOIDS
41662-0093	-A02C102		41662-0109	-A19C102	
41662-0094	-A03C102		41662-0110	-A20C102	
41662-0095	-A04C102		41662-0111	-A21C102	
41662-0096	-A05C102		41662-0112	-A22C102	
41662-0097	-A06C102		41662-0113	-A23C102	
41662-0098	-A07C102		41662-0114	-A24C102	
41662-0099	-A08C102				
41662-0100	-A09C102				
26-48-7102	-A10C102				
41662-0101	-A11C102				
41662-0102	-A12C102				
41662-0103	-A13C102				
41662-0104	-A14C102				
41662-0105	-A15C102				
41662-0106	-A16C102				
41662-0107	-A17C102				
41662-0108	-A18C102				

www.DataSheet4U.com

REV: <b>AH7</b>	<u>ECR/ECN INFORMATION:</u>		<u>TITLE:</u> <b>KK .156 HEADER ASSEMBLY FLAT BREAKAWAY, 2-24 CKTS.</b>	<u>SHEET No.</u> <b>- 6 -</b>
	EC No.:	<b>UCP2010-0149</b>		
	DATE:	<b>8/11/2009</b>		
<u>DOCUMENT NUMBER:</u> <b>SD- 41662 -001</b>		<u>CREATED / REVISED BY:</u> <b>MKIPPER</b>	<u>CHECKED BY:</u> <b>SSOUSEK</b>	<u>APPROVED BY:</u> <b>FSMITH</b>



A-41662-AND102-*					
HEADER NUMBER:		41185-A-AN			
PIN NUMBER:		2161-62(102)			
PLATING		102			
PIN LENGTH: L		24.89 / .980			
MATING LENGTH: X		14.86 / .585			
GOLD POINT: G		N/A			
PIN HEIGHT: Y		4.95 / .195			
PC TAIL LENGTH: Z		3.10 / .122			
TIN: T		OVERALL			
CKTS:		2-24			
VOIDED CKTS:		NONE			
PACKAGING:		BULK PK-41662-001			
MATERIAL NUMBER	ENG NUMBER	VOIDS	MATERIAL NUMBER	ENG NUMBER	VOIDS
41662-0115	-A02D102		41662-0131	-A19D102	
41662-0116	-A03D102		41662-0132	-A20D102	
41662-0117	-A04D102		41662-0133	-A21D102	
41662-0118	-A05D102		41662-0134	-A22D102	
26-48-9065	-A06D102		41662-0135	-A23D102	
41662-0119	-A07D102		26-48-9245	-A24D102	
41662-0120	-A08D102				
41662-0121	-A09D102				
41662-0122	-A10D102				
41662-0123	-A11D102				
41662-0124	-A12D102				
41662-0125	-A13D102				
41662-0126	-A14D102				
41662-0127	-A15D102				
41662-0128	-A16D102				
41662-0129	-A17D102				
41662-0130	-A18D102				

A-41662-ANK102-*					
HEADER NUMBER:		41185-A-AN			
PIN NUMBER:		2161-1(102)			
PLATING		102			
PIN LENGTH: L		19.05 / .750			
MATING LENGTH: X		7.75 / .305			
GOLD POINT: G		N/A			
PIN HEIGHT: Y		4.95 / .195			
PC TAIL LENGTH: Z		4.37 / .172			
TIN: T		OVERALL			
CKTS:		2-24			
VOIDED CKTS:		NONE			
PACKAGING:		BULK PK-41662-001			
MATERIAL NUMBER	ENG NUMBER	VOIDS	MATERIAL NUMBER	ENG NUMBER	VOIDS
41662-0136	-A02K102		41662-0153	-A19K102	
41662-0137	-A03K102		26-48-4200	-A20K102	
41662-0138	-A04K102		41662-0154	-A21K102	
41662-0139	-A05K102		41662-0155	-A22K102	
41662-0140	-A06K102		41662-0156	-A23K102	
41662-0141	-A07K102		41662-0157	-A24K102	
41662-0142	-A08K102				
41662-0143	-A09K102				
41662-0144	-A10K102				
41662-0145	-A11K102				
41662-0146	-A12K102				
41662-0147	-A13K102				
41662-0148	-A14K102				
41662-0149	-A15K102				
41662-0150	-A16K102				
41662-0151	-A17K102				
41662-0152	-A18K102				

www.DataSheet4U.com

REV: <b>AH7</b>	ECR/ECN INFORMATION: EC No.: <b>UCP2010-0149</b> DATE: <b>8/11/2009</b>	TITLE: <b>KK .156 HEADER ASSEMBLY FLAT BREAKAWAY, 2-24 CKTS.</b>	SHEET No. <b>- 7 -</b>
DOCUMENT NUMBER: <b>SD- 41662 -001</b>	CREATED / REVISED BY: <b>MKIPPER</b>	CHECKED BY: <b>SSOUSEK</b>	APPROVED BY: <b>FSMITH</b>

A-41662-ANN102-*					
HEADER NUMBER:		41185-A-AN			
PIN NUMBER:		2161-5(102)			
PLATING		102			
PIN LENGTH: L		34.93 / 1.375			
MATING LENGTH: X		13.59 / .535			
GOLD POINT: G		N/A			
PIN HEIGHT: Y		5.21 / .205			
PC TAIL LENGTH: Z		14.15 / .557			
TIN: T		OVERALL			
CKTS:		2-24			
VOIDED CKTS:		NONE			
PACKAGING:		BULK PK-41662-001			
MATERIAL NUMBER	ENG NUMBER	VOIDS	MATERIAL NUMBER	ENG NUMBER	VOIDS
41662-0158	-A02N102		41662-0175	-A19N102	
41662-0159	-A03N102		41662-0176	-A20N102	
41662-0160	-A04N102		41662-0177	-A21N102	
41662-0161	-A05N102		41662-0178	-A22N102	
41662-0162	-A06N102		41662-0179	-A23N102	
41662-0163	-A07N102		26-58-1241	-A24N102	
41662-0164	-A08N102				
41662-0165	-A09N102				
41662-0166	-A10N102				
41662-0167	-A11N102				
41662-0168	-A12N102				
41662-0169	-A13N102				
41662-0170	-A14N102				
41662-0171	-A15N102				
41662-0172	-A16N102				
41662-0173	-A17N102				
41662-0174	-A18N102				

A-41662-ANH501-*					
HEADER NUMBER:		41185-A-AN			
PIN NUMBER:		2161-61(501)			
PLATING		501			
PIN LENGTH: L		35.71 / 1.406			
MATING LENGTH: X		16.51 / .650			
GOLD POINT: G		OVERALL			
PIN HEIGHT: Y		5.41 / .213			
PC TAIL LENGTH: Z		11.84 / .466			
TIN: T		N/A			
CKTS:		2-24			
VOIDED CKTS:		NONE			
PACKAGING:		BULK PK-41662-001			
MATERIAL NUMBER	ENG NUMBER	VOIDS	MATERIAL NUMBER	ENG NUMBER	VOIDS
41662-0180	-A02H501		41662-0195	-A19H501	
41662-0181	-A03H501		41662-0196	-A20H501	
41662-0182	-A04H501		41662-0197	-A21H501	
41662-0183	-A05H501		41662-0198	-A22H501	
41662-0184	-A06H501		41662-0199	-A23H501	
41662-0185	-A07H501		41662-0200	-A24H501	
41662-0186	-A08H501				
41662-0187	-A09H501				
26-58-8100	-A10H501				
41662-0188	-A11H501				
26-58-8120	-A12H501				
41662-0189	-A13H501				
41662-0190	-A14H501				
41662-0191	-A15H501				
41662-0192	-A16H501				
41662-0193	-A17H501				
41662-0194	-A18H501				

www.DataSheet4U.com

REV: <b>AH7</b>	ECR/ECN INFORMATION: EC No.: <b>UCP2010-0149</b> DATE: <b>8/11/2009</b>	TITLE: <b>KK .156 HEADER ASSEMBLY FLAT BREAKAWAY, 2-24 CKTS.</b>	SHEET No. <b>- 8 -</b>
DOCUMENT NUMBER: <b>SD- 41662 -001</b>	CREATED / REVISED BY: <b>MKIPPER</b>	CHECKED BY: <b>SSOUSEK</b>	APPROVED BY: <b>FSMITH</b>

A-41662-ANZ102-*					
HEADER NUMBER:		41185-A-AN			
PIN NUMBER:		2161-24(102)			
PLATING		102			
PIN LENGTH: L		20.32 / .800			
MATING LENGTH: X		9.27 / .365			
GOLD POINT: G		N/A			
PIN HEIGHT: Y		4.95 / .195			
PC TAIL LENGTH: Z		4.12 / .162			
TIN: T		OVERALL			
CKTS:		2-24			
VOIDED CKTS:		NONE			
PACKAGING:		BULK PK-41662-001			
MATERIAL NUMBER	ENG NUMBER	VOIDS	MATERIAL NUMBER	ENG NUMBER	VOIDS
41662-0207	-A02Z102		41662-0224	-A19Z102	
41662-0208	-A03Z102		41662-0225	-A20Z102	
41662-0209	-A04Z102		41662-0226	-A21Z102	
41662-0210	-A05Z102		41662-0227	-A22Z102	
41662-0211	-A06Z102		41662-0228	-A23Z102	
41662-0212	-A07Z102		41662-0229	-A24Z102	
41662-0213	-A08Z102				
41662-0214	-A09Z102				
41662-0215	-A10Z102				
41662-0216	-A11Z102				
41662-0217	-A12Z102				
41662-0218	-A13Z102				
41662-0219	-A14Z102				
41662-0220	-A15Z102				
41662-0221	-A16Z102				
41662-0222	-A17Z102				
41662-0223	-A18Z102				

A-41662-ANAA102-*					
HEADER NUMBER:		41185-A-AN			
PIN NUMBER:		2161-62(102)			
PLATING		102			
PIN LENGTH: L		24.89 / .980			
MATING LENGTH: X		6.98 / .275			
GOLD POINT: G		N/A			
PIN HEIGHT: Y		4.95 / .195			
PC TAIL LENGTH: Z		10.98 / .432			
TIN: T		OVERALL			
CKTS:		2-24			
VOIDED CKTS:		NONE			
PACKAGING:		BULK PK-41662-001			
MATERIAL NUMBER	ENG NUMBER	VOIDS	MATERIAL NUMBER	ENG NUMBER	VOIDS
41662-0500	-A02AA102		41662-0517	-A19AA102	
41662-0501	-A03AA102		41662-0518	-A20AA102	
41662-0502	-A04AA102		41662-0519	-A21AA102	
41662-0503	-A05AA102		41662-0520	-A22AA102	
41662-0504	-A06AA102		41662-0521	-A23AA102	
41662-0505	-A07AA102		41662-0522	-A24AA102	
41662-0506	-A08AA102				
41662-0507	-A09AA102				
41662-0508	-A10AA102				
41662-0509	-A11AA102				
41662-0510	-A12AA102				
41662-0511	-A13AA102				
41662-0512	-A14AA102				
41662-0513	-A15AA102				
41662-0514	-A16AA102				
41662-0515	-A17AA102				
41662-0516	-A18AA102				

www.DataSheet4U.com

REV: <b>AH7</b>	ECR/ECN INFORMATION: EC No.: <b>UCP2010-0149</b> DATE: <b>8/11/2009</b>	TITLE: <b>KK .156 HEADER ASSEMBLY FLAT BREAKAWAY, 2-24 CKTS.</b>	SHEET No. <b>- 9 -</b>
DOCUMENT NUMBER: <b>SD- 41662 -001</b>	CREATED / REVISED BY: <b>MKIPPER</b>	CHECKED BY: <b>SSOUSEK</b>	APPROVED BY: <b>FSMITH</b>

A-41662-ANAB102-*					
HEADER NUMBER:		41185-A-AN			
PIN NUMBER:		2161-52(102)			
PLATING		102			
PIN LENGTH: L		27.00 / 1.063			
MATING LENGTH: X		14.61 / .575			
GOLD POINT: G		N/A			
PIN HEIGHT: Y		5.54 / .218			
PC TAIL LENGTH: Z		4.88 / .192			
TIN: T		OVERALL			
CKTS:		2-24			
VOIDED CKTS:		SEE CHART			
PACKAGING:		BULK PK-41662-001			
MATERIAL NUMBER	ENG NUMBER	VOIDS	MATERIAL NUMBER	ENG NUMBER	VOIDS
41662-0523	-A02AB102		41662-0540	-A19AB102	
41662-0524	-A03AB102		41662-0541	-A20AB102	
41662-0525	-A04AB102		41662-0542	-A21AB102	
41662-0526	-A05AB102		41662-0543	-A22AB102	
41662-0527	-A06AB102		41662-0544	-A23AB102	
41662-0528	-A07AB102		41662-0545	-A24AB102	
41662-0529	-A08AB102		41662-0546	-A05AB102-51	2, 4
41662-0530	-A09AB102				
41662-0531	-A10AB102				
41662-0532	-A11AB102				
41662-0533	-A12AB102				
41662-0534	-A13AB102				
41662-0535	-A14AB102				
41662-0536	-A15AB102				
41662-0537	-A16AB102				
41662-0538	-A17AB102				
41662-0539	-A18AB102				

A-41662-ANAC102-*					
HEADER NUMBER:		41185-A-AN			
PIN NUMBER:		2161-70(102)			
PLATING		102			
PIN LENGTH: L		23.24 / .915			
MATING LENGTH: X		12.19 / .480			
GOLD POINT: G		N/A			
PIN HEIGHT: Y		5.54 / .218			
PC TAIL LENGTH: Z		3.51 / .138			
TIN: T		OVERALL			
CKTS:		2-24			
VOIDED CKTS:		SEE CHART			
PACKAGING:		BULK PK-41662-001			
MATERIAL NUMBER	ENG NUMBER	VOIDS	MATERIAL NUMBER	ENG NUMBER	VOIDS
41662-0600	-A02AC102		41662-0617	-A19AC102	
41662-0601	-A03AC102		41662-0618	-A20AC102	
41662-0602	-A04AC102		41662-0619	-A21AC102	
41662-0603	-A05AC102		41662-0620	-A22AC102	
41662-0604	-A06AC102		41662-0621	-A23AC102	
41662-0605	-A07AC102		41662-0622	-A24AC102	
41662-0606	-A08AC102		41662-0623	-A15AC102-2	2
41662-0607	-A09AC102				
41662-0608	-A10AC102				
41662-0609	-A11AC102				
41662-0610	-A12AC102				
41662-0611	-A13AC102				
41662-0612	-A14AC102				
41662-0613	-A15AC102				
41662-0614	-A16AC102				
41662-0615	-A17AC102				
41662-0616	-A18AC102				

www.DataSheet4U.com

REV: <b>AH7</b>	ECR/ECN INFORMATION: EC No.: <b>UCP2010-0149</b> DATE: <b>8/11/2009</b>	TITLE: <b>KK .156 HEADER ASSEMBLY FLAT BREAKAWAY, 2-24 CKTS.</b>	SHEET No. <b>- 10 -</b>
DOCUMENT NUMBER: <b>SD- 41662 -001</b>	CREATED / REVISED BY: <b>MKIPPER</b>	CHECKED BY: <b>SSOUSEK</b>	APPROVED BY: <b>FSMITH</b>

A-41662-ANAD102-*					
HEADER NUMBER:		41185-A-AN			
PIN NUMBER:		2161-63(102)			
PLATING		102			
PIN LENGTH: L		24.38 / .960			
MATING LENGTH: X		14.88 / .586			
GOLD POINT: G		N/A			
PIN HEIGHT: Y		4.45 / .175			
PC TAIL LENGTH: Z		3.05 / .120			
TIN: T		OVERALL			
CKTS:		2-24			
VOIDED CKTS:		SEE CHART			
PACKAGING:		BULK PK-41662-001			
MATERIAL NUMBER	ENG NUMBER	VOIDS	MATERIAL NUMBER	ENG NUMBER	VOIDS
	-A02AD102			-A19AD102	
	-A03AD102		68342-1001	-A20AD102	
	-A04AD102			-A21AD102	
	-A05AD102			-A22AD102	
	-A06AD102			-A23AD102	
	-A07AD102			-A24AD102	
	-A08AD102				
	-A09AD102				
	-A10AD102				
	-A11AD102				
	-A12AD102				
	-A13AD102				
	-A14AD102				
	-A15AD102				
	-A16AD102				
	-A17AD102				
	-A18AD102				

A-41662-BNZ208-*					
HEADER NUMBER:		41185-A-AN			
PIN NUMBER:		43294-0353			
PLATING		208			
PIN LENGTH: L		22.35 / .880			
MATING LENGTH: X		10.67 / .420			
GOLD POINT: G		10.16 / .400			
PIN HEIGHT: Y		4.95 / .195			
PC TAIL LENGTH: Z		4.75 / .187			
TIN: T		5.08 / .200			
CKTS:		2-24			
VOIDED CKTS:		NONE			
PACKAGING:		BULK PK-41662-001			
MATERIAL NUMBER	ENG NUMBER	VOIDS	MATERIAL NUMBER	ENG NUMBER	VOIDS
41662-0646	-B02Z208		41662-0663	-B19Z208	
41662-0647	-B03Z208		41662-0664	-B20Z208	
41662-0648	-B04Z208		41662-0665	-B21Z208	
41662-0649	-B05Z208		41662-0666	-B22Z208	
41662-0650	-B06Z208		41662-0667	-B23Z208	
41662-0651	-B07Z208		41662-0668	-B24Z208	
41662-0652	-B08Z208				
41662-0653	-B09Z208				
41662-0654	-B10Z208				
41662-0655	-B11Z208				
41662-0656	-B12Z208				
41662-0657	-B13Z208				
41662-0658	-B14Z208				
41662-0659	-B15Z208				
41662-0660	-B16Z208				
41662-0661	-B17Z208				
41662-0662	-B18Z208				

www.DataSheet4U.com

REV: <b>AH7</b>	ECR/ECN INFORMATION: EC No.: <b>UCP2010-0149</b> DATE: <b>8/11/2009</b>	TITLE: <b>KK .156 HEADER ASSEMBLY FLAT BREAKAWAY, 2-24 CKTS.</b>	SHEET No. <b>- 11 -</b>
DOCUMENT NUMBER: <b>SD- 41662 -001</b>	CREATED / REVISED BY: <b>MKIPPER</b>	CHECKED BY: <b>SSOUSEK</b>	APPROVED BY: <b>FSMITH</b>

A-41662-ANAE102-\*

HEADER NUMBER:	41185-A-AN				
PIN NUMBER:	2161-26(102)				
PLATING	102				
PIN LENGTH: L	22.23 / .875				
MATING LENGTH: X	6.99 / .275				
GOLD POINT: G	N/A				
PIN HEIGHT: Y	4.95 / .195				
PC TAIL LENGTH: Z	8.31 / .327				
TIN: T	OVERALL				
CKTS:	2-24				
VOIDED CKTS:	SEE CHART				
PACKAGING:	BULK PK-41662-001				
MATERIAL NUMBER	ENG NUMBER	VOIDS	MATERIAL NUMBER	ENG NUMBER	VOIDS
	-A02AE102			-A19AE102	
	-A03AE102			-A20AE102	
	-A04AE102			-A21AE102	
	-A05AE102			-A22AE102	
	-A06AE102			-A23AE102	
	-A07AE102			-A24AE102	
	-A08AE102				
	-A09AE102				
	-A10AE102				
	-A11AE102				
	-A12AE102				
	-A13AE102				
	-A14AE102				
	-A15AE102				
41662-0683	-A16AE102				
	-A17AE102				
	-A18AE102				

HEADER NUMBER:					
PIN NUMBER:					
PLATING					
PIN LENGTH: L					
MATING LENGTH: X					
GOLD POINT: G					
PIN HEIGHT: Y					
PC TAIL LENGTH: Z					
TIN: T					
CKTS:					
VOIDED CKTS:					
PACKAGING:					
MATERIAL NUMBER	ENG NUMBER	VOIDS	MATERIAL NUMBER	ENG NUMBER	VOIDS

www.DataSheet4U.com

REV: <b>AH7</b>	ECR/ECN INFORMATION: EC No.: <b>UCP2010-0149</b> DATE: <b>8/11/2009</b>	TITLE: <b>KK .156 HEADER ASSEMBLY FLAT BREAKAWAY, 2-24 CKTS.</b>	SHEET No. <b>- 12 -</b>
DOCUMENT NUMBER: <b>SD- 41662 -001</b>	CREATED / REVISED BY: <b>MKIPPER</b>	CHECKED BY: <b>SSOUSEK</b>	APPROVED BY: <b>FSMITH</b>