



Gleichmann & Co. Electronics GmbH  
Product Marketing Displays & Systems  
Industriestr. 16, D- 76297 Stutensee  
Tel :07249-910-0, Fax: 07249-910-559  
<http://www.msc-ge.com>

Doc. version :	0.3
Total pages :	31
Date :	2005.10.18

# Product Specification

## 1.5" COLOR TFT-LCD MODULE

MODEL NAME: A015AN04 V4

< ◆ > Preliminary Specification

< > Final Specification

Note: The content of this specification is subject to change.

© 2005 AU Optronics  
All Rights Reserved,  
Do Not Copy.





**Contents:**

<b>A. Physical specification.....</b>	<b>P3</b>
<b>B. Electrical specifications.....</b>	<b>P4</b>
<b>C. Optical specifications.....</b>	<b>P11</b>
<b>D. Reliability test items.....</b>	<b>P13</b>
<b>E. Packing form.....</b>	<b>P14</b>
<b>F. Outline dimension.....</b>	<b>P15</b>
<b>G. Appendix.....</b>	<b>P16</b>
<b>H. Application Note.....</b>	<b>P28</b>

FOR GLEICHMANN INTERNAL USE ONLY

### A. Physical specifications

NO.	Item	Specification	Remark
1	Display resolution(dot)	280(W) ×220(H)	
2	Active area(mm)	29.96(W) ×22.66(H)	
3	Screen size(inch)	1.48(Diagonal)	
4	Dot pitch(mm)	0.107(W) ×0.103(H)	
5	Color configuration	R. G. B. delta	
6	Overall dimension(mm)	37.06(W) ×34(H) ×3.04(D)	Note 1
7	Weight(g)	6 Typ.	
8	Panel surface treatment	Hard coating (3H)	

Note 1: Refer to Fig. 4

FOR GLEICHMANN INTERNAL USE ONLY

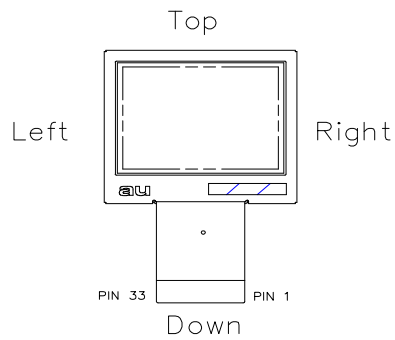
## B. Electrical specifications

### 1.Pin assignment

Pin no	Symbol	I/O	Description	Remark
1	VCOM	I	Common electrode driving signal	
2	VGH	P	Positive power for scan driver	
3	V1	C	Power setting capacitor connect pin	
4	V2	C	Power setting capacitor connect pin	
5	Vgoff_H	PS	Negative power supply (High) for G1~G240 outputs	
6	Vgoff_L	PS	Negative power supply (Low) for G1~G240 outputs	
7	V3	C	Power setting capacitor connect pin	
8	V4	C	Power setting capacitor connect pin	
9	AVDD1	P	FRP level supply	
10	FRP	O	Frame polarity output for panel Vcom	
11	GND	P	Ground pin for digital circuits	
12	DRV	VO	Power transistor gate signal for the boost converter	
13	LED Anode	I	LED Anode	
14	FB	VI	Main boost regulator feedback input	
15	VCC	P	Power supply for digital circuits	
16	AGND	P	Ground pin for analog circuits	
17	AVDD	P	Power supply for analog circuits	
18	HSYNC	I	Horizontal sync input. Negative polarity	
19	VSNC	I	Vertical sync input. Negative polarity	
20	DCLK	L	Clock signal; latch data onto line latches at the rising edge	
21	DD5	I	Data input: MSB	
22	DD4	I	Data input	
23	DD3	I	Data input	
24	DD2	I	Data input	
25	DD1	I	Data input	
26	DD0	I	Data input: LSB	
27	NC	I	NC	
28	GRB	I	Global reset pin	
29	CS	I	Serial communication chip select	Note2
30	ISDA	I	Serial communication data input	Note2
31	ISCL	I	Serial communication clock input	Note2
32	VCC	P	Power supply for digital circuits	
33	GND	P	Ground pin for digital circuits	

I: Input; O: Output. VI: voltage input VO: voltage output P:Power.

Note 1 : Definition of scanning direction. Refer to figure as below



Note 2 :Please refer to application note for 3-wire serial communication setting

## 2. Equivalent circuit of I/O

Pin no & Pin name	Schematics
12.DRV	
21.DD5 22.DD4 23.DD3 24.DD2 25.DD1 26.DD0	
28.GRB	

### 3. Absolute maximum ratings

Item	Symbol	Condition	Min.	Max.	Unit	Remark
Power voltage	V <sub>CC</sub>	GND=0	-0.5	5.	V	
	AV <sub>DD</sub>	AV <sub>SS</sub> =0	-0.5	5.5	V	
Input signal voltage	V <sub>COM</sub>		-2.9	5.6	V	
Operating temperature	Topa		0	60	°C	Ambient temperature
Storage temperature	Tstg		-25	80	°C	Ambient temperature

### 4. Electrical characteristics

#### a. Typical operating conditions (GND=AV<sub>SS</sub>=0V)

Item	Symbol	Min.	Typ.	Max.	Unit	Remark
	V <sub>CC</sub>	3.0	3.3	3.6	V	
	AV <sub>DD</sub>	3.0	3.3	3.6	V	
Output Signal voltage	H Level	V <sub>OH</sub>	V <sub>CC</sub> -0.4			
	L Level	V <sub>OL</sub>	GND	GND+0.4		
Input Signal voltage	H Level	V <sub>IH</sub>	0.7V <sub>CC</sub>	-	V <sub>CC</sub>	V
	L Level	V <sub>IL</sub>	GND	-	0.3V <sub>CC</sub>	V
Output current	H Level	IOH	10		uA	
	L Level	IOL	-10		uA	
Analog stand by current	I <sub>st</sub>			200	uA	DCLK is stopped

#### b. Current consumption (GND=AV<sub>SS</sub>=0V)

Parameter	Symbol	Condition	Min.	Typ.	Max.	Unit	Remark
	I <sub>CC</sub>	V <sub>CC</sub> =3.3V	-	2	2.5	mA	
	I <sub>DD</sub>	AV <sub>DD</sub> =3.3V	-	1.5	2.0	mA	

#### c. LED driving conditions

Parameter	Symbol	Min.	Typ.	Max.	Unit	Remark
LED current			20	25	mA	
LED voltage	V <sub>L</sub>	6.6	7.8	8.6	V	Note1
LED Life Time	L <sub>L</sub>	10000			Hr	Note 2,3

Note 1 : Max.voltage :1pcs/4V, FB=0.6V, VL=LED anode( PIN 13)

Note 2 : Ta. = 25°C, I<sub>L</sub> = 20mA

Note 3 : Brightness to be decreased to 50% of the initial value

## 5. AC Timing

## a. UPS051 Timing conditions

Parameter		Symbol	Min.	Typ.	Max.	Unit.	Remark
DCLK	Frequency	1/Tvc		5.67		MHZ	
	High time	Tvch	15			ns	
	Low time	Tvcl	15			ns	
Rising time		t <sub>r</sub>	-	-	10	ns	Note 1
Falling time		t <sub>f</sub>	-	-	10	ns	Note 1
HSYNC	Period	TH	60	63.56	67	us	Note 2
				360		DCLK	
	Display period	THd		49.4		us	
	Pulse width	THp	1	25		DCLK	
	HSYNC-Clk timing	THc	15		Tvc-15	ns	
Hsync setup time		Tvst	12			ns	
Hsync hold time		Thhd	12			ns	
Horizontal lines per field		t <sub>v</sub>	256	262	268	t <sub>H</sub>	
VSYNC	Period	TV		16.6		ms	Note 2
				262		t <sub>H</sub>	
	Display period	TVd		13.97		ms	
	Pulse width	TVp	1			DCLK	
				3		TH	
Vsync setup time		Tvst	12			ns	
Vsync hold time		Tvhd	12			ns	
DATA D00~D05	DCLK-DATA timing	Tds	10	-	-	ns	
	DATA-CLK timing	Tdh	10	-	-	ns	
	Rising time Falling time	Tdrf	-	-	10	ns	

Note 1: For all of the logic signals.

Note 2: Display position

## a-1 Horizontal display position

The display starts from the data of (57DCLK, TH=57DCLK) as shown in Fig 5.

( TH : From Hsync falling edge to 1<sup>st</sup> displayed data.)

## a-2. Vertical display position

Parameter	Symbol	Min.	Typ.	Max.	Unit	Remark
Vertical display position	TVS		25		TH	NTSC

## a-3 Timing diagram

Please refer to the attached drawing, from Fig.6 to Fig.6 to Fig.10



## b. UPS052 Timing conditions

Parameter		Symbol	Min.	Typ.	Max.	Unit.	Remark
DCLK	Frequency	1/Tvc		24.54		MHz	
	High time	Tvch	10			ns	
	Low time	Tvcl	10			ns	
Rising time		t <sub>r</sub>	-	-	10	ns	Note 1
Falling time		t <sub>f</sub>	-	-	10	ns	Note 1
HSYNC	Period	TH	60	63.56	67	us	Note 2
				1560		DCLK	
	Display period	THd		49.4		us	
	Pulse width	THp	1	25		DCLK	
HSYNC-Clk timing		THc	15		Tc-15	ns	
Hsync setup time		Tvst	4			ns	
Hsync hold time		Thhd	12			ns	
Horizontal lines per field		t <sub>v</sub>	256	262	268	t <sub>H</sub>	
VSYNC	Period	TV		16.6		ms	Note 2
				262		t <sub>H</sub>	
	Display period	TVd	4	13.97		ms	
	Pulse width	TVp	1			DCLK	
			3		TH		
Vsync setup time		Tvst	12			ns	
Vsync hold time		Tvhd	12			ns	
DATA D00~D05	DCLK-DATA timing	Tds	10	-	-	ns	
	DATA-CLK timing	Tdh	10	-	-	ns	
	Rising time Falling time	Tdrf	-	-	10	ns	
Data set-up time		Tds	4			ns	
Data hold time		Tdh	12			ns	

Note 1: For all of the logic signals.

Note 2: Display position

## b-1 Horizontal display position

The display starts from the data of (269DCLK, TH=268DCLK) as shown in Fig 11.

 ( TH<sub>e</sub> : From Hsync falling edge to 1<sup>st</sup> displayed data.)

## b-2 Vertical display position

Parameter	Symbol	Min.	Typ.	Max.	Unit	Remark
Vertical display position	TVS		25		TH	NTSC

## b-3 Timing diagram

Please refer to the attached drawing, from Fig.9 to Fig.15

### 6. 3-wire serial communications

For 3-wire serial communication timing ,as shown in Fig16 ,for register setting, please refer to application note.

### 7. DC-DC Converter Circuit

A015AN04 contains one high-power step-up DC-DC converter, and backplane drive circuitry for active matrix TFT LCDs. The output voltage of the main boost converter can be set from VCC to 13.5V with external resistors. Also included in A015AN04 are a precision 0.6V reference voltage, fault detection and logic shutdown.

#### a .Boost Converter

A015AN04 main boost converter uses a boost PWM architecture to produce a positive regulated voltage, Please refer to figure1 for the DC-DC converter block diagram.

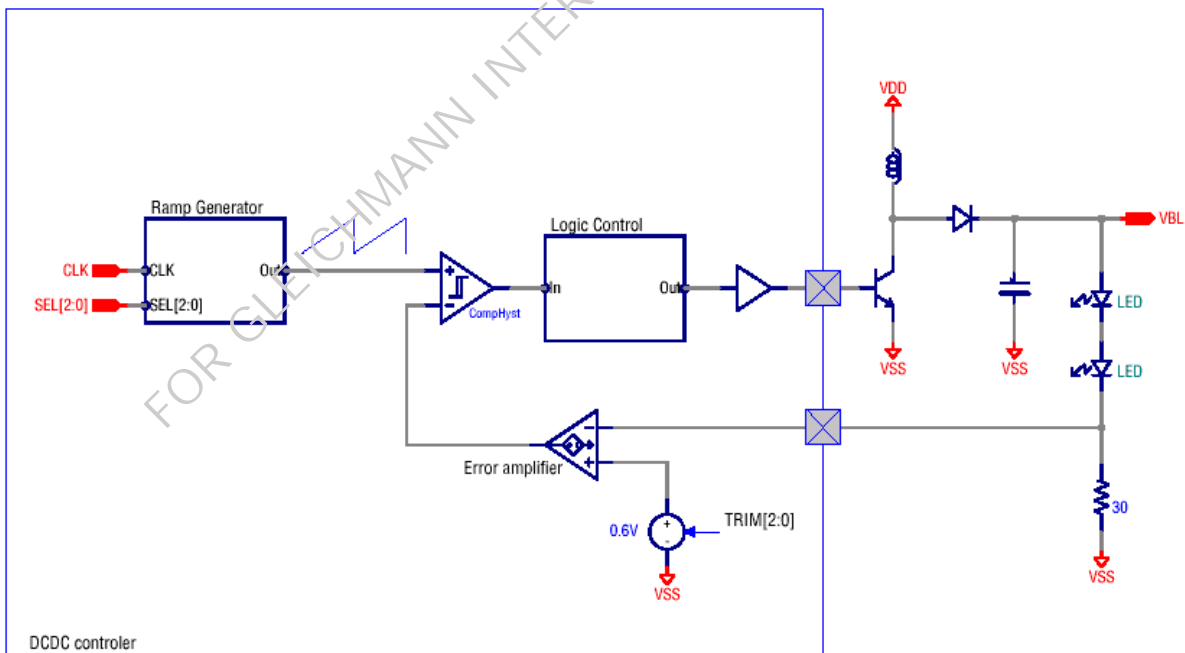


Fig 1 Dc-Dc converter block diagram

In the internal architecture of DC-DC converter as Fig2 showed. The feedback voltage(VFB) will connect to the tri-angle waveform comparator ,and generates the output signal (CP0) which determines the duty cycle for (Fdc).

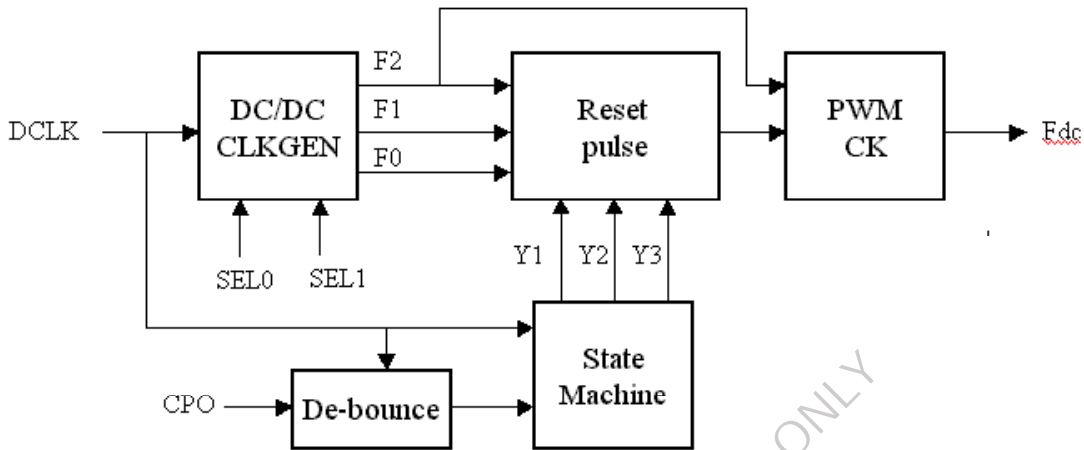


Fig 2 DC CK block diagram

To reduce the noise affect,CP0 will processed by De-bounce circuit. State-machine will generate the duty cycle by CP0 signal. To make sure that VFB can reach default VREF quickly, so State-machine's is designed as a discrete step by step function. please refer to Fig 3. If CP0 is low , Duty cycle will work from 0% to 75%. The maximum duty ratio is 75%.

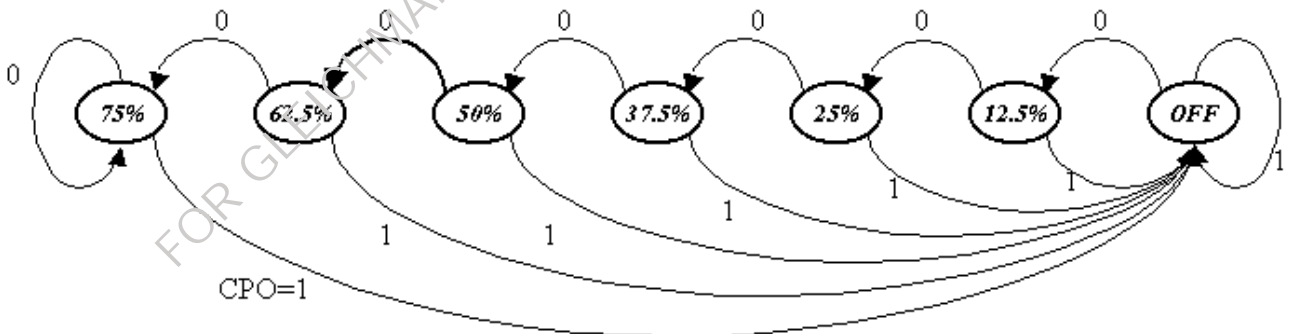


Fig 3 PWM Control state diagram

**C. Optical specification (Note 1,Note 2, Note 3 )**

Item	Symbol	Condition	Min.	Typ.	Max.	Unit	Remark
Response time	Rise	$\theta = 0^\circ$	-	25	50	ms	Note 4
	Fall		-	30	60	ms	
Contrast ratio	CR	At optimized viewing angle	60	150	-		Note 5,6
Viewing angle	Top	$CR \geq 10$	10	-	-	deg.	Note 7
	Bottom		30	-	-		
	Left		40	-	-		
	Right		40	-	-		
Brightness	$Y_L$	$\theta = 0^\circ$	120	180	-	$cd/m^2$	Note 8
White chromaticity	X	$\theta = 0^\circ$	(0.26)	(0.31)	(0.36)		
	y	$\theta = 0^\circ$	(0.29)	(0.35)	(0.40)		

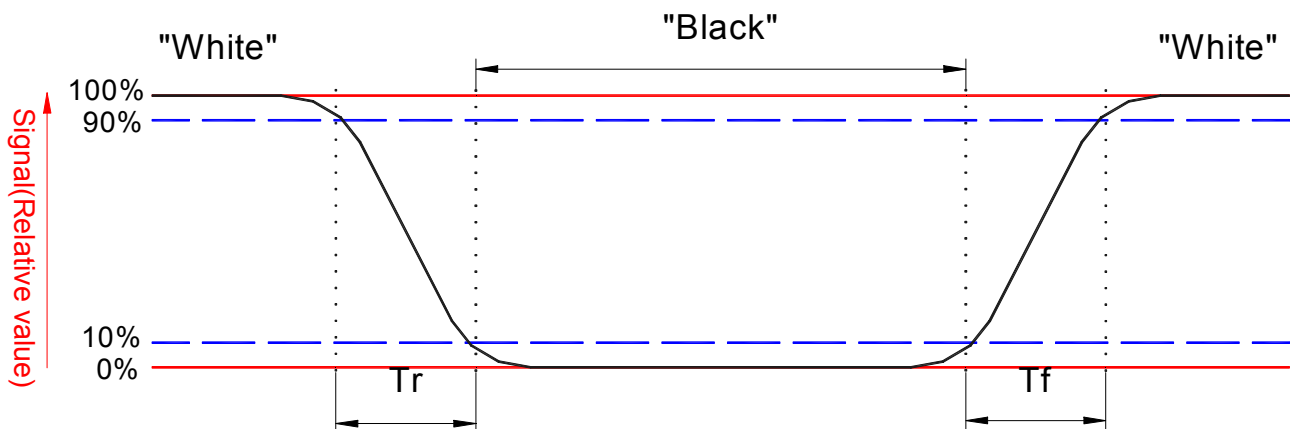
Note 1. Ambient temperature =25°C

Note 2. To be measured in the dark room.

Note 3.To be measured on the center area of panel with a field angle of 1°by Topcon luminance meter BM-7, after 10 minutes operation.

Note 4. Definition of response time:

The output signals of photo detector are measured when the input signals are changed from "black" to "white"(falling time) and from "white" to "black"(rising time), respectively. The response time is defined as the time interval between the 10% and 90% of amplitudes. Refer to figure as below.



Note 5. Definition of contrast ratio:

Contrast ratio is calculated with the following formula.

$$\text{Contrast ratio (CR)} = \frac{\text{Photo detector output when LCD is at "White" state}}{\text{Photo detector output when LCD is at "Black" state}}$$

Note 6. White  $V_i = V_{i50} \mp 1.5V$

Black  $V_i = V_{i50} \pm 2.0V$

"±" Means that the analog input signal swings in phase with COM signal.

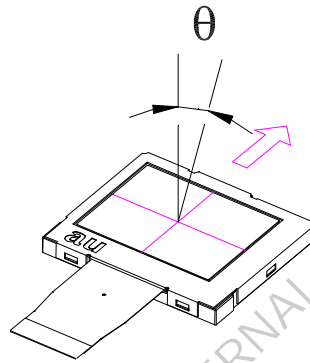
“ $-$ ” Means that the analog input signal swings out of phase with COM signal.

$V_{i50}^+$ : The analog input voltage when transmission is 50%

The 100% transmission is defined as the transmission of LCD panel when all the input terminals of module are electrically opened.

Note 7. Definition of viewing angle:

Refer to figure as below.



Note 8. Measured at the center area of the panel when all the input terminals of LCD panel are electrically opened.

FOR GLEICHMANN INTERNAL USE ONLY

**D. Reliability test items:**

No.	Test items	Conditions	Remark
1	High temperature storage	Ta= 80°C                      240Hrs	
2	Low temperature storage	Ta= -25°C                      240Hrs	
3	High temperature operation	Ta= 60°C                      240Hrs	
4	Low temperature operation	Ta= 0°C                      240Hrs	
5	High temperature and high humidity	Ta= 60°C . 90% RH              240Hrs	Operation
6	Heat shock	-25°C~80°C/50 cycle 2Hrs/cycle	Non-operation
7	Electrostatic discharge	±200V,200pF(0Ω), once for each terminal	Non-operation
8	Vibration (with carton)	Random vibration: 0.015G <sup>2</sup> /Hz from 5~200Hz -6dB/Octave from 200~500Hz	IEC 68-34
9	Drop (with carton)	Height: 60cm 1 corner, 3 edges, 6 surfaces	

Note: Ta: Ambient temperature.

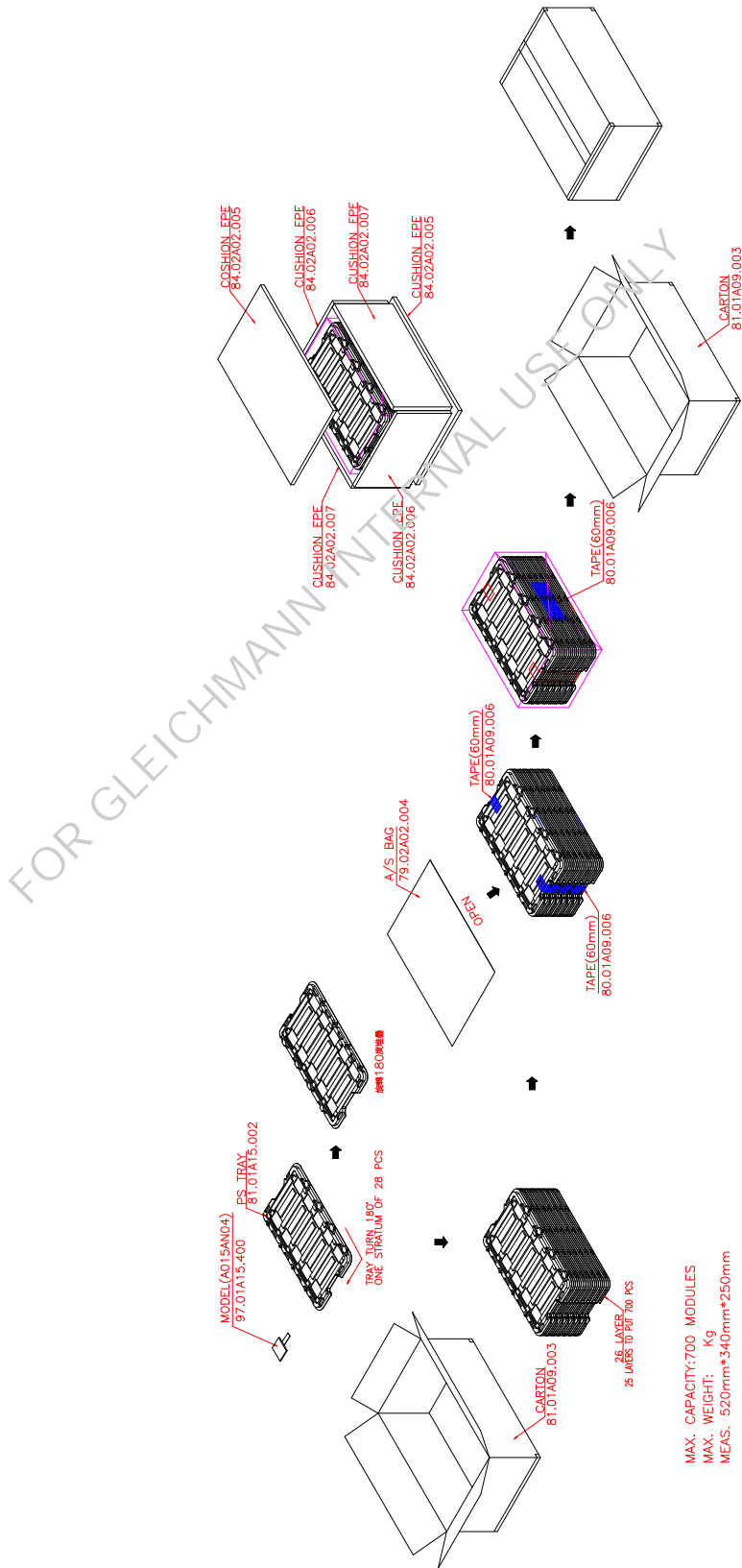
FOR GLEICHMANN INTERNATIONAL USE ONLY



E. Packing form

Version : 0.3

Page : 14/ 31



MAX. CAPACITY:700 MODULES  
 MAX. WEIGHT: Kg  
 MEAS. 520mm\*340mm\*250mm

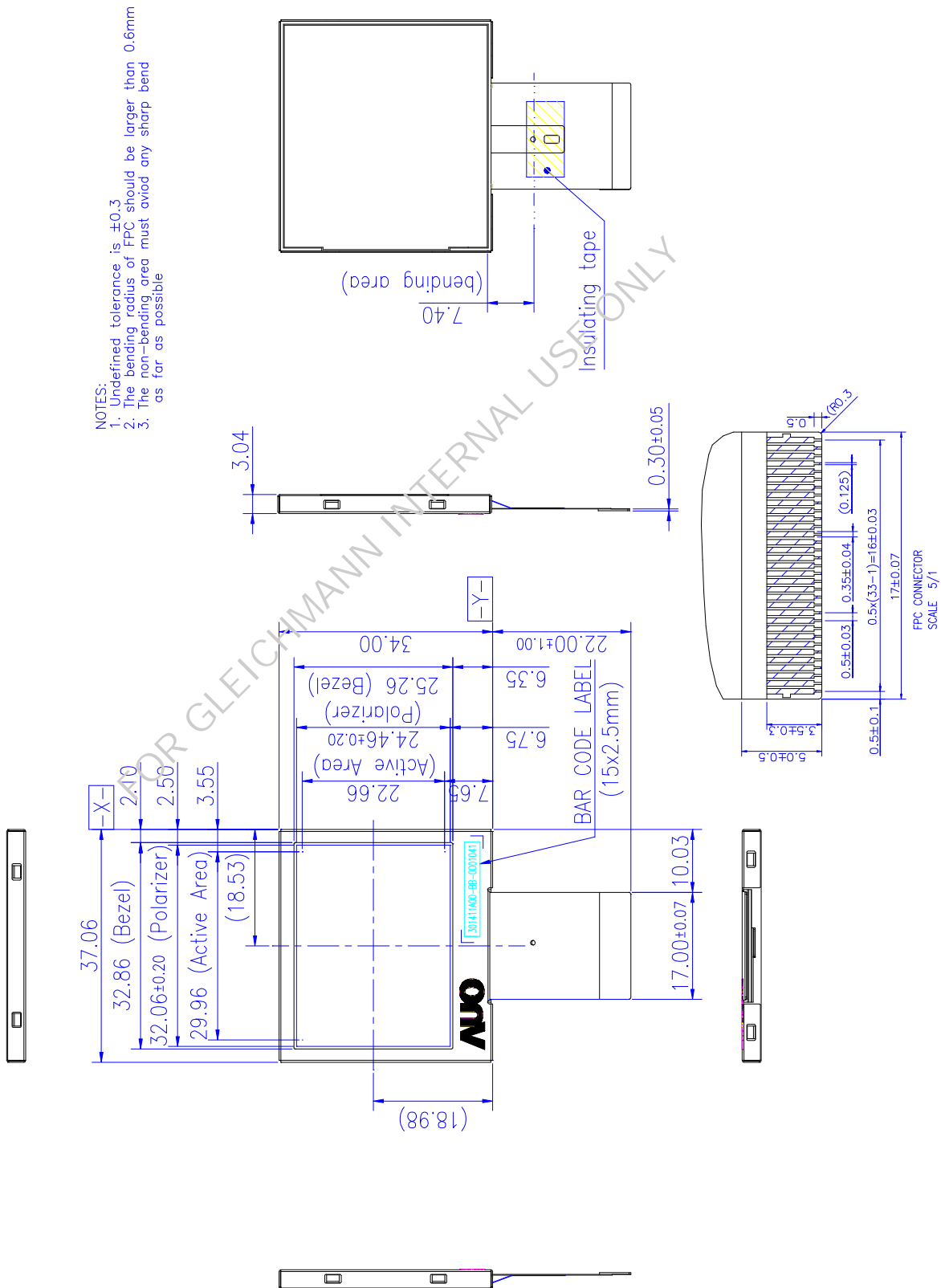
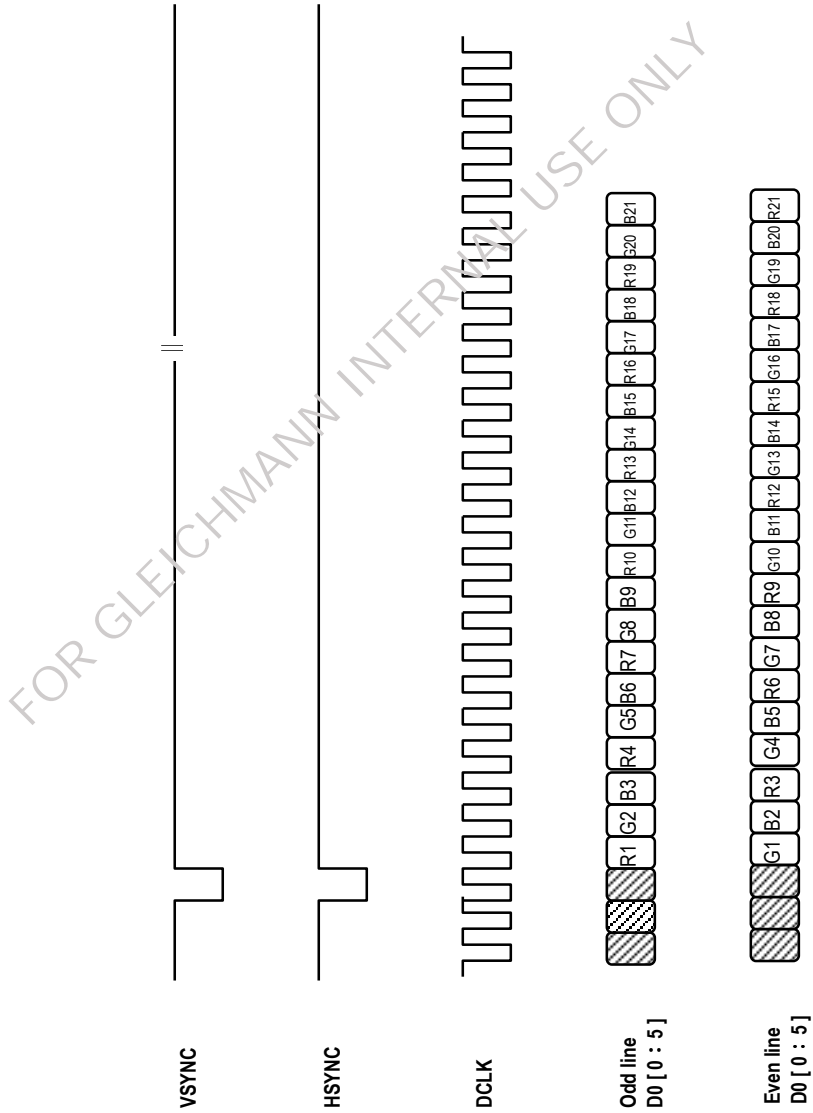


Fig. 4 Outline dimension of TFT-LCD module





**Fig. 5 UPS051 Input signals timing relationship**

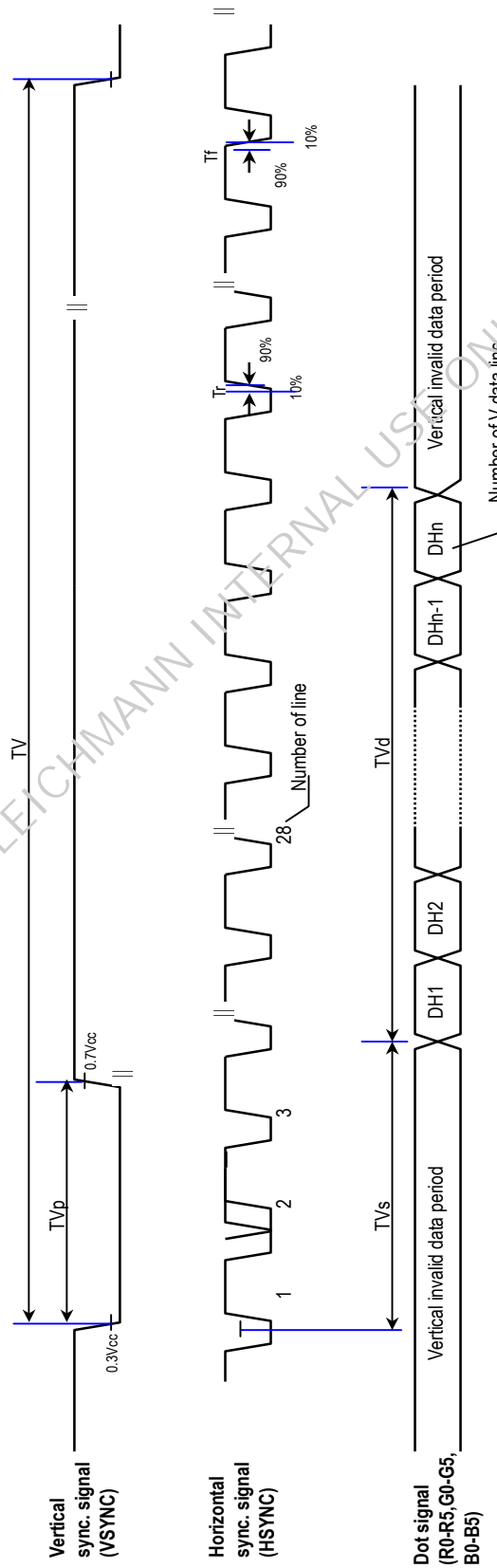


Fig .6 UPS051 Input Vertical Timing

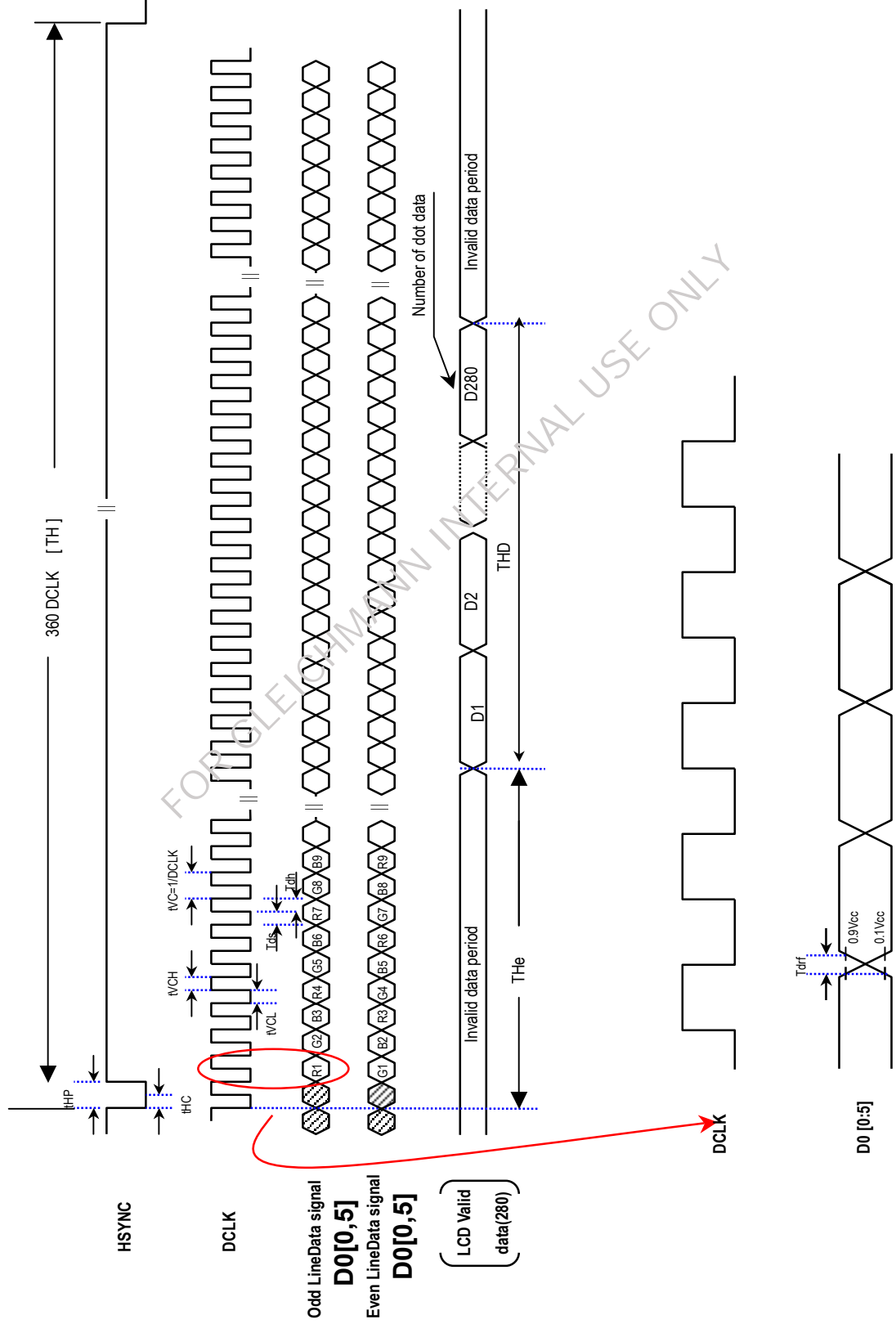
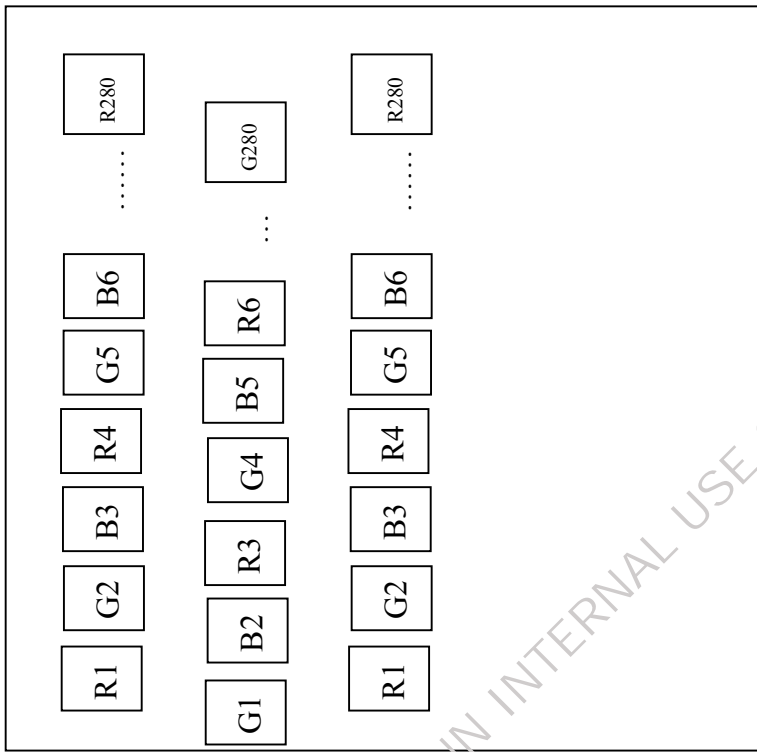


Fig. 7 UPS051 Horizontal Input Timing



Line #1

Line #2

Line #3

	R(1,1)	G(1,1)	B(1,1)	R(1,2)	G(1,2)	B(1,2)	R(1,3)	G(1,3)	B(1,3)	R(1,4)	G(1,4)	B(1,4)	R(1,5)	G(1,5)	B(1,5)	R(1,6)	G(1,6)	B(1,6)	R(1,7)	G(1,7)	B(1,7)	R(1,8)	G(1,8)	B(1,8)	R(1,9)	G(1,9)	B(1,9)	R(1,10)	G(1,10)	B(1,10)	R(1,640)	G(1,640)	B(1,640)
	R(2,1)	G(2,1)	B(2,1)	R(2,2)	G(2,2)	B(2,2)	R(2,3)	G(2,3)	B(2,3)	R(2,4)	G(2,4)	B(2,4)	R(2,5)	G(2,5)	B(2,5)	R(2,6)	G(2,6)	B(2,6)	R(2,7)	G(2,7)	B(2,7)	R(2,8)	G(2,8)	B(2,8)	R(2,9)	G(2,9)	B(2,9)	R(2,10)	G(2,10)	B(2,10)	R(2,640)	G(2,640)	B(2,640)
	R(3,1)	G(3,1)	B(3,1)	R(3,2)	G(3,2)	B(3,2)	R(3,3)	G(3,3)	B(3,3)	R(3,4)	G(3,4)	B(3,4)	R(3,5)	G(3,5)	B(3,5)	R(3,6)	G(3,6)	B(3,6)	R(3,7)	G(3,7)	B(3,7)	R(3,8)	G(3,8)	B(3,8)	R(3,9)	G(3,9)	B(3,9)	R(3,10)	G(3,10)	B(3,10)	R(3,640)	G(3,640)	B(3,640)
Non- display line	↓			↓			↓			↓			↓			↓			↓			↓			↓			↓					
	G1			B2						R3												G4											

VGA Memory

Fig.8 UPS051 Extraction of display data from memory to panel

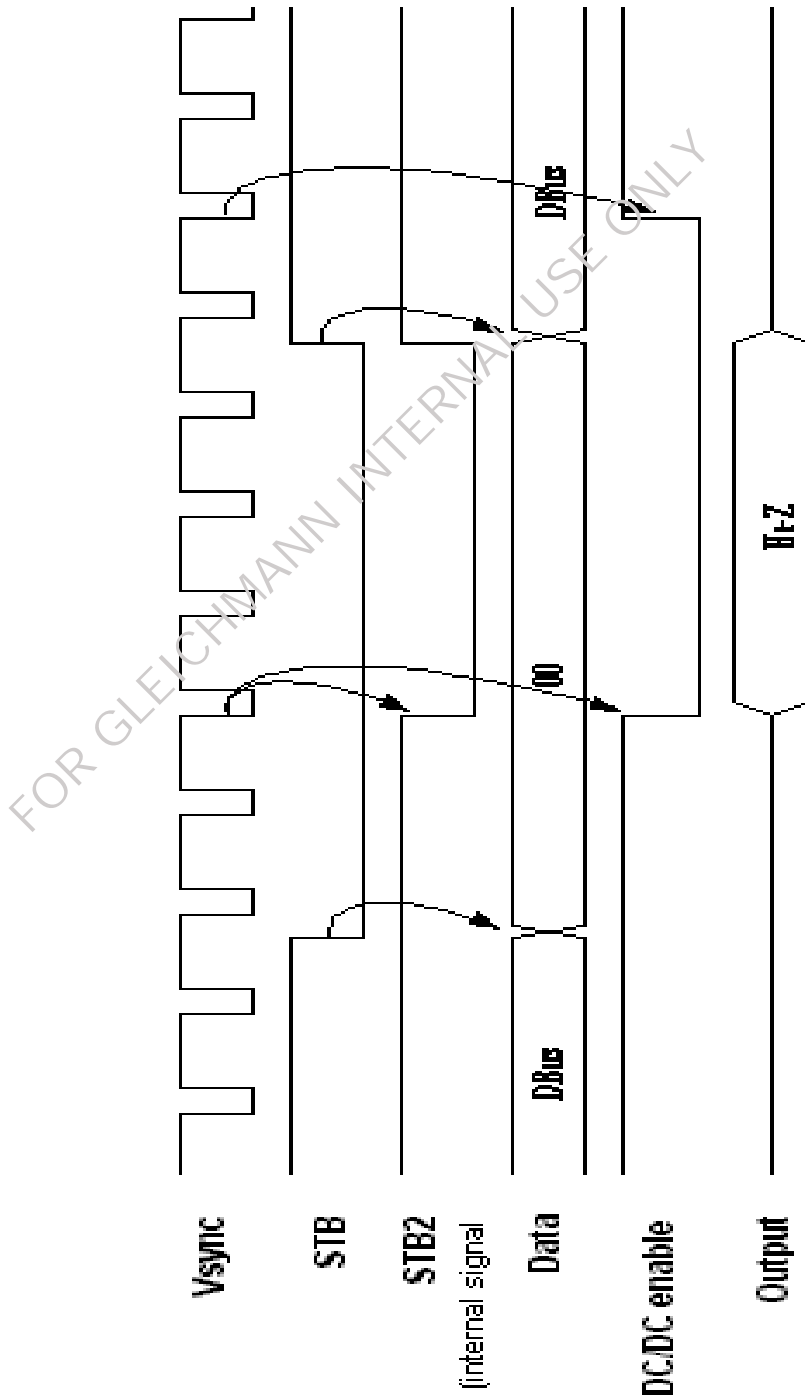
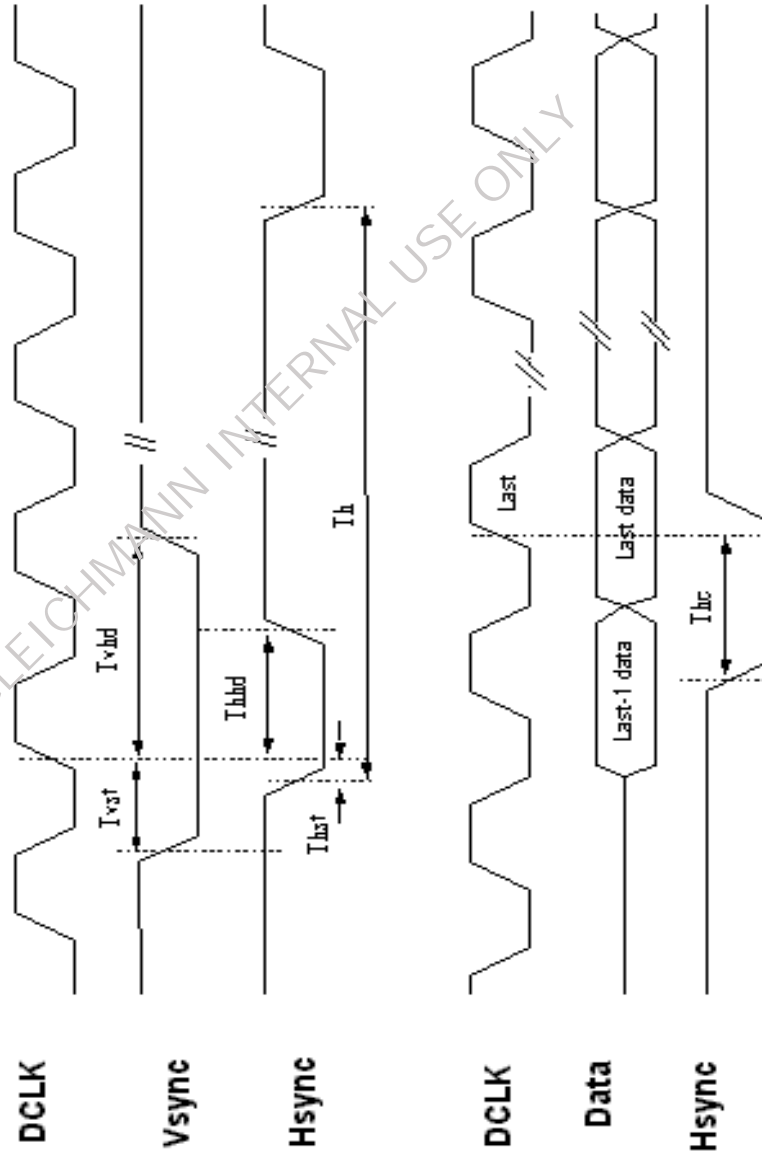
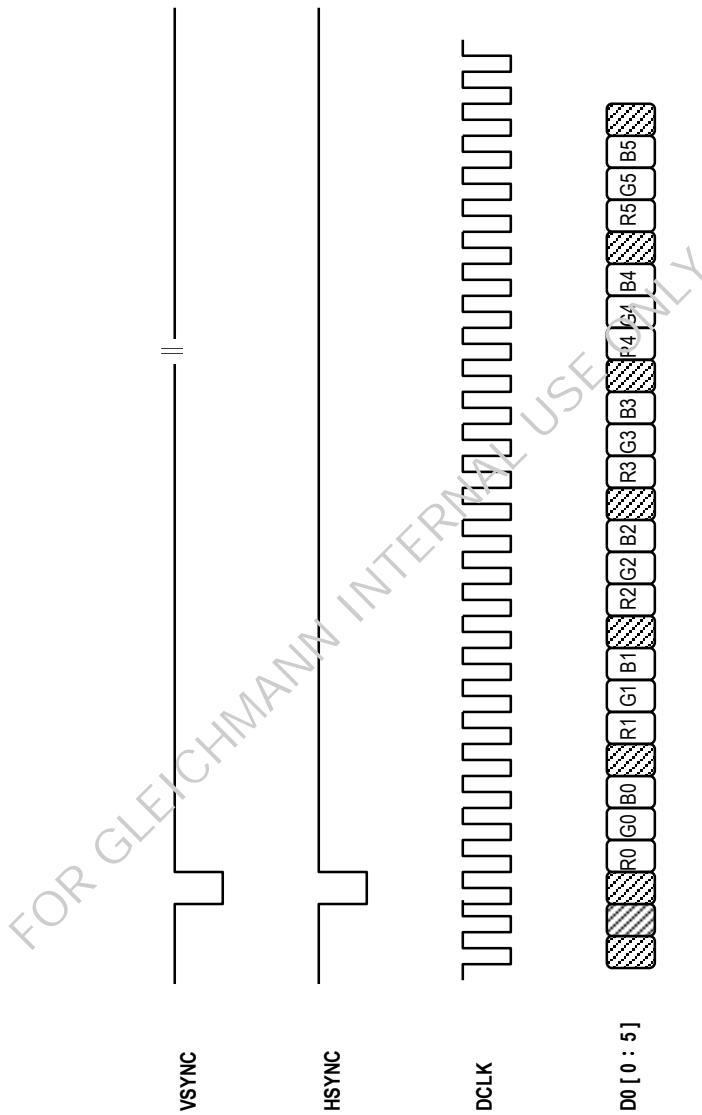


Fig.9 UPS051/UPS052 Standby Mode Timing



1 Fig 10. UPS051/UPS052 Hsync,Vsync,Data,DCLK relationship



**Fig. 11 UPS052 input signals timing relationship**

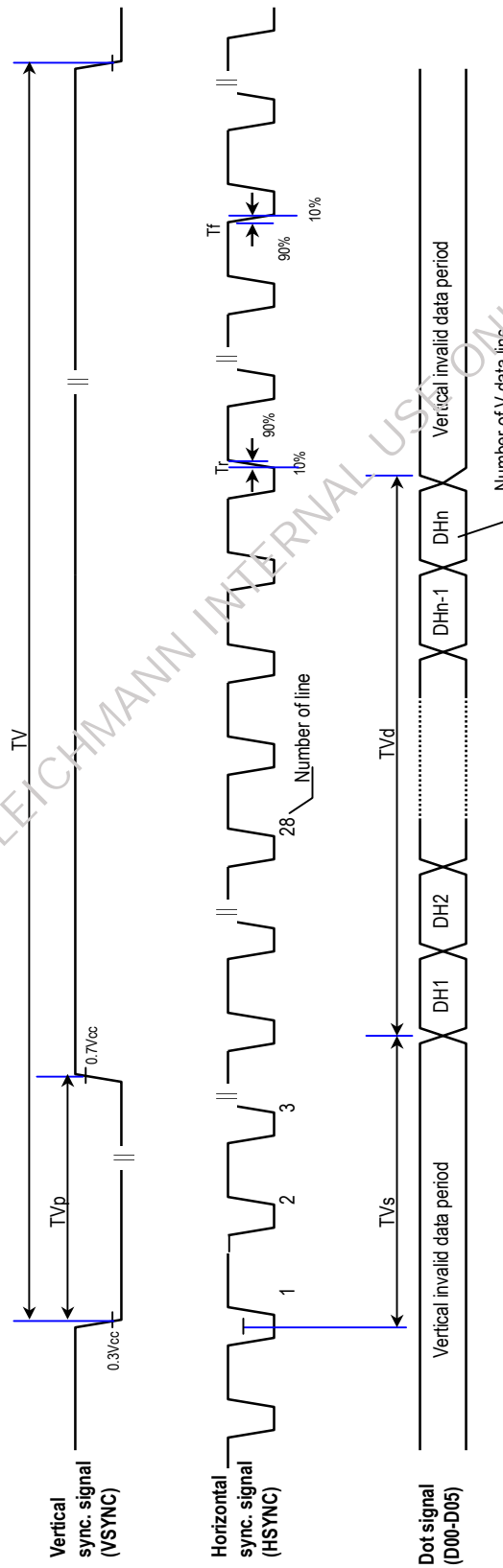
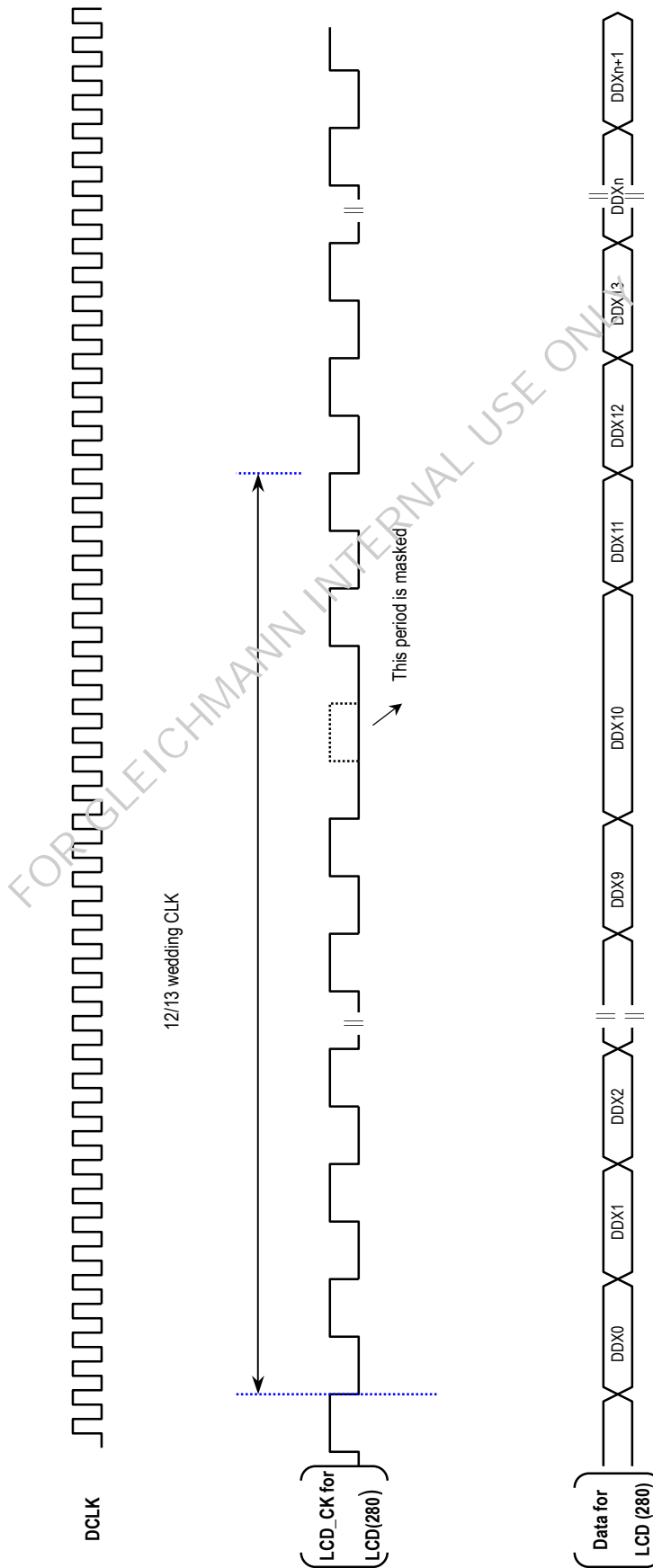


Fig. 12 UPS052 Input Vertical Timing







**Fig.14 UPS052 Horizontal Input Timing  
(Wedding CLK Explanation)**

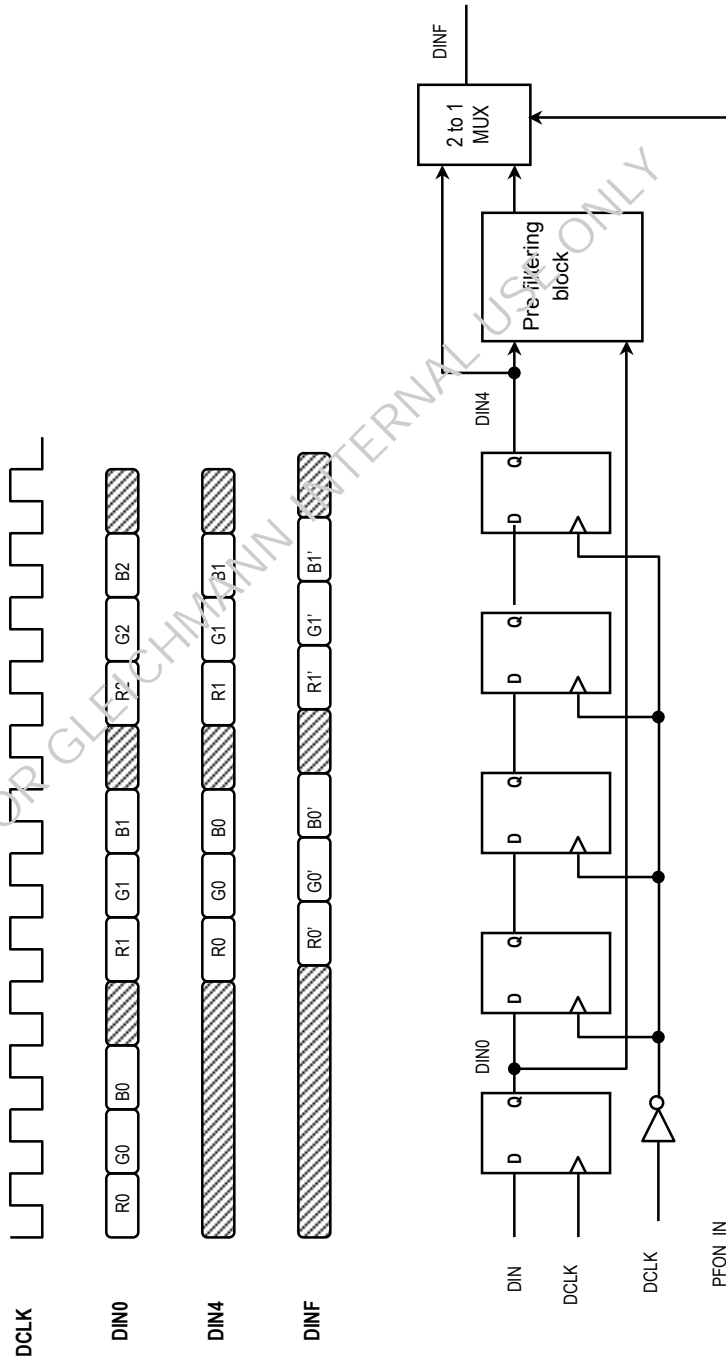


Fig.15 UPS052 Pre-filtering function timing diagram and block diagram

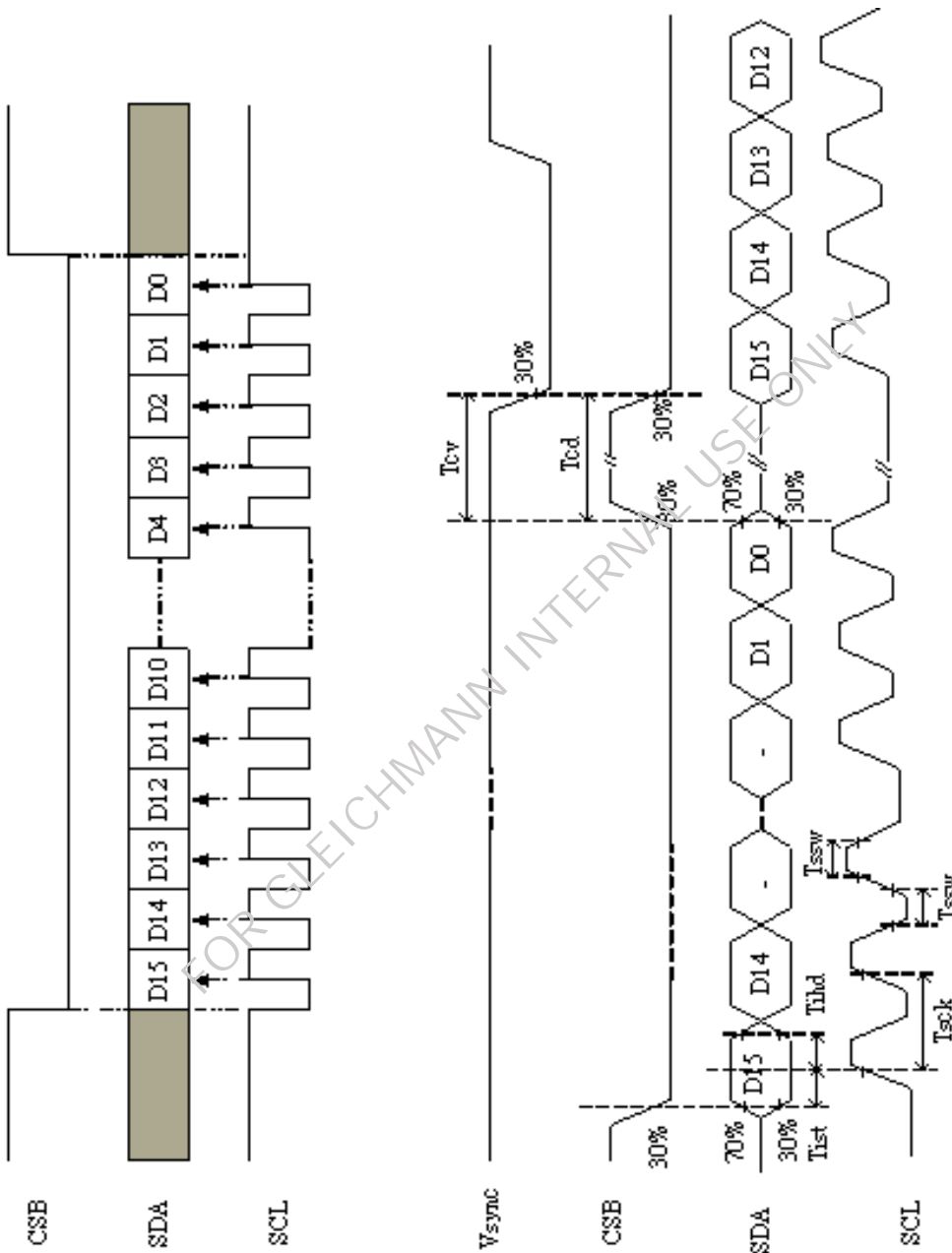


Fig.16 3-wire programming function Timing

## H. Application Notes

A015AN04 is designed with smart integration advance (SIA) concept for DSC application. This panel integrated not only source driver & gate driver, but also built in power generator and embedded serial communication interface for function setting.

Two kinds of input timing format: UPS051 and UPS052 are supported to A015AN04. Customer can use 3-wire serial port for setting register and select different timing for its own feature.

In this document, we list essential parameter for configuration, please follow our recommend setting to achieve the best performance. In the last page, we provide application circuit to drive A015AN04.

For A015AN04 driving circuit design, you just need input one set of power 3.3V, because the charge-pump circuit inside the driver IC produces V<sub>gh</sub> & V<sub>gl</sub>. The external peripheral is very simple and good for saving BOM cost for customer.

### 1. 3-wire serial communication AC timing

Parameter	Symbol	Min.	Typ.	Max.	Unit
Serial clock	T <sub>sck</sub>	320	-		ns
SCL pulse duty	T <sub>scw</sub>	40	50	60	%
Serial data setup time	T <sub>ist</sub>	120	-	-	ns
Serial data hold time	T <sub>iht</sub>	120	-	-	ns
Serial clock high/low	T <sub>ssw</sub>	120	-	-	ns
Chip select distinguish	T <sub>cd</sub>	1	-	-	us
Time that the CSB to Vsync	T <sub>cv</sub>	1	-	-	us

### 2. The configuration of serial data at SDA terminal is at below

MSB

LSB

D15	D14	D13	D12	D11	D10	D9	D8	D7	D6	D5	D4	D3	D2	D1	D0
<b>Register address</b>			X	<b>DATA</b>											

### 3. Recommend register table for UPS051 timing

No.	Description	Address				MSB LSB											
		D15	D14	D13	D12	D11	D10	D9	D8	D7	D6	D5	D4	D3	D2	D1	D0
R0	Scan direction	0	0	0	X	X	X	X	X	X	X	X	X	X	X	0	1
R1	Data setting	0	0	1	X	X	X	X	X	X	X	X	X	X	X	0	0
R2	Source IC setting	0	1	0	X	X	X	X	X	X	X	X	X	1	1	0	0
R3	Timing select	0	1	1	X	X	X	X	X	X	X	X	X	0	0	0	0
R4	VCAC level setting	1	0	0	X	X	X	X	X	X	X	X	X	1	1	0	0

“X” => Don't care.

#### 4.Recommend register table for UPS052 timing

No.	Description	Address				MSB LSB											
		D15	D14	D13	D12	D11	D10	D9	D8	D7	D6	D5	D4	D3	D2	D1	D0
R0	Scan direction	0	0	0	X	X	X	X	X	X	X	X	X	X	X	0	1
R1	Data setting	0	0	1	X	X	X	X	X	X	X	X	X	X	X	0	1
R2	Source IC setting	0	1	0	X	X	X	X	X	X	X	X	X	1	1	0	0
R3	Timing select	0	1	1	X	X	X	X	X	X	X	X	X	X	0	0	1
R4	VCAC level setting	1	0	0	X	X	X	X	X	X	X	X	X	X	1	1	0

“X” => Don't care.

#### 5.Register detail description

##### a. Register R0

Bit	Function
D0	Up/down scan direction. “0”=> Down to up. “1”=> Up to down.
D1	Left/Right scan direction. “0”=> Left to right. “1”=>Right to left.

##### b. Register R1

Bit	Function
D0	“0”=>When UPS051 mode selected. “1”=>When UPS052 mode selected.
D1	Always fixed at “0”

##### c. Register R2

Bit	Function
D0	Always fixed at “0”.
D1	Always fixed at “0”.
D2	Standby mode setting. “0”=> Turn off driver & DCDC. “1”=> Normal operating.
D3	Always fixed at “1”

##### d. Register R3

Bit	Function
D0	Always fixed at “0”.
D1	Always fixed at “0”.
D2	“0”=> To select UPS051 timing. “1”=> To select UPS052 timing.

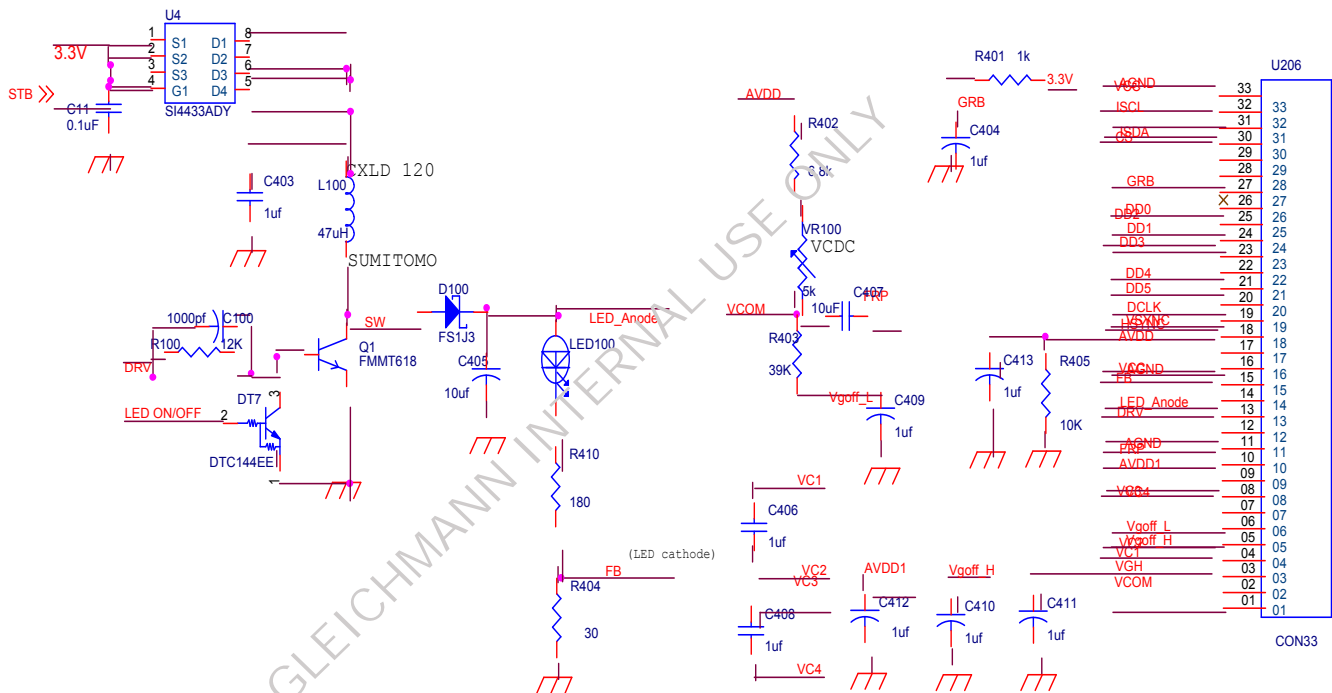
##### e. Register R4 \*

Bit	Function
D0	Always fixed at “0”.

D1	Always fixed at "1".
D2	Always fixed at "1".

\* Set VCOM AC level=5.6V (Amplitude)

## 6. Reference application circuit



### Note:

C413 & R405 are new adding external components.

C413 => to stable the AVDD power. (Optional)

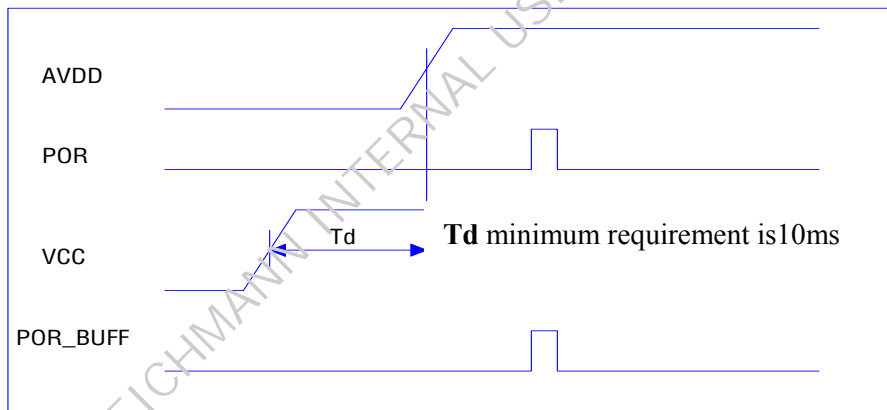
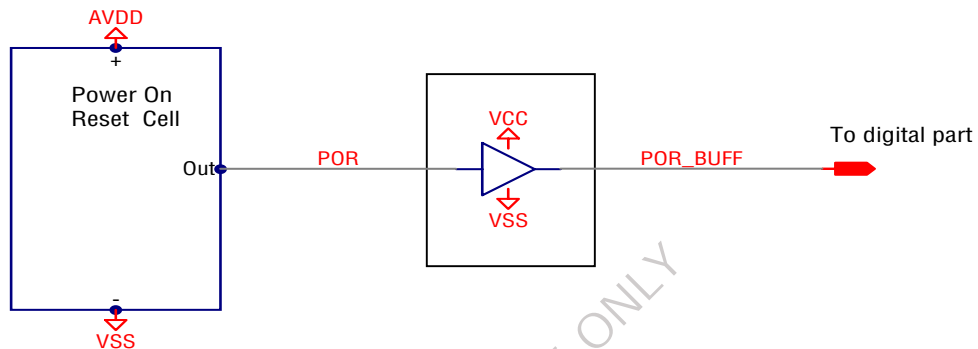
R405 => used for discharge AVDD power faster. (Recommend)

U4 → Used for control 3.3V on/off function, control backlight on/off by STB signal

STB "H" → 3.3V turn off, backlight off.

STB "L" → 3.3v turn on, backlight on.

### 7.Suggestion power on sequence of VCC and AVDD



We strongly recommend separate VCC and AVDD power with 10ms (Min)~30ms(Max) delay period. To make sure power on reset function can work successfully in every time power on.