



CUSTOMER APPROVAL SHEET

Company
Name

MODEL

CUSTOMER
APPROVED

Title :

Name :

APPROVAL FOR SPECIFICATIONS ONLY (Spec. Ver. 07)

APPROVAL FOR SPECIFICATIONS AND ES SAMPLE (Spec. Ver. 07)

APPROVAL FOR SPECIFICATIONS AND CS SAMPLE (Spec. Ver. 07)

CUSTOMER REMARK :

AUO PM : Anderson Wu

P/N : 97.03A23.000

Comment :

1 Li-Hsin Rd. 2. Science-Based Industrial Park
Hsinchu 300, Taiwan, R.O.C.

Tel: +886-3-500-8899

Fax: +886-3-577-2730



Doc. version :	0.7
Total pages :	42
Date :	2009/12/08

Product Specification 3.5" COLOR TFT-LCD MODULE

Model Name :	A035QN04 V0/00
Planned Lifetime:	From 2009/06 To 2011/12
Phase-out Control:	From 2011/09 To 2011/12
EOL Schedule:	2011/12

><◆>Preliminary Specification
< >Final Specification

Note: The content of this specification is subject to change.

© 2009 AU Optronics
All Rights Reserved,
Do Not Copy.

Record of Revision

Version	Revise Date	Page	Content
0.0	20090428		Draft
0.1	20090714	8 11 12 13~14 13 16 17 18 21 30 31~32 33	Drawing of Outline dimension Modified Dot Data Clock Add Current Consumption data and NOTE. 1 Modified DOTCLK Frequency and DOTCLK Period Remove DE mode timing. Modified Mode without Dummy Timing Characteristics Modified serial setting map Remove MODE register description. Modified R1 Register description. Recommend for R2,R3 Register. Modified R8 Register description. Add Recommended Register Settings Add Power on/off Sequence Add Suggested Circuit
0.2	20090723	11 12~14 19 33	Modify dot clock typical value Modify AC timing Modify R2 and R3 description Modify suggest circuit
0.3	20090804	All	New format
0.4	2009/8/21	4 7 12 23 31	Pin Assignment Power supply define Remove Note.2 Touch Screen Panel Specifications Update Power on/off Sequence
0.5	2009/09/11	30 31	Modify Recommended Register Settings Update Power on/off Sequence
0.6	2009/10/7	25	Add touch panel calibration recommend
0.7	2009/10/29	12~13 16 17 18 19 20 35~38	Add YUV mode interface Update Command Register Setting Modify R0 register Modify R1 register Modify R2 register Add R4 register Add all interface command register

Contents

- A. General Information..... 4**
- B. Electrical Specifications 5**
 - 1. Pin Assignment..... 5
 - 2. Absolute Maximum Ratings 7
 - 3. Electrical Characteristics 8
 - a. TFT- LCD Panel (GND=0V)..... 8
 - b. Backlight driving conditions 8
 - 4. AC Timing 9
 - a. Display General Information 9
 - b. 8-bit Serial Interface..... 10
 - c. YUV Interface..... 12
 - d. SPI Timing Diagram 14
 - e. SPI Timing Specification 15
 - 5. Command Register Settings 16
 - a. Serial setting map 16
 - b. Description of serial control data 17
 - I. R0 Register..... 17
 - II. R1 Register..... 18
 - III. R2 Register..... 19
 - IV. R3 Register..... 19
 - V. R4 Register..... 20
 - VI. R5 Register..... 20
 - VII. R6 Register..... 21
 - VIII. R7 Register 21
 - IX. R8 Register..... 22
 - X. R9 Register..... 23
 - XI. R10 Register..... 23
 - XII. R11~14 Register 24
- C. Optical Specification (Note1, Note 2 and Note 3) 25**
- D. Touch Screen Panel Specifications 28**
 - 1. Electrical Characteristics 28
 - 2. Mechanical Characteristics 28
 - 3. Life test Condition..... 29
 - 4. Attention..... 29
- E. Reliability Test Items 31**
- F. Packing Form 33**
- G. Outline dimension..... 34**
- H. Application note..... 35**
 - 1. Recommended Register Settings 35
 - a. 8-bit Serial Interface HV Sync. Mode without Dummy 35
 - b. 8-bit Serial Interface HV Sync. Mode with Dummy 36
 - c. YUV640 Mode with Dummy..... 37



- d. YUV640 Mode with Dummy..... 38
- 2. Power on/off sequenc..... 39
 - e. Power on (Standby Disabling) 39
 - f. Power off (Standby Enabling) 39
- 3. Suggested Circuit 40

A. General Information

NO.	Item	Specification	Remark
1	Display resolution (dot)	320 RGB (H)×240(V)	
2	Active area (mm)	70.08x52.56	
3	Screen size (inch)	3.5(Diagonal)	
4	Dot pitch (um)	0.073(H)×0.219(V)	
5	Color configuration	R, G, B strip	
6	Overall dimension (mm)	76.90(H)x63.90(V)x4.07(T)	Note 1
7	Weight (g)	40	
8	Panel surface treatment	Hard Coating	

Note 1: Refer to F. Outline Dimension

B. Electrical Specifications

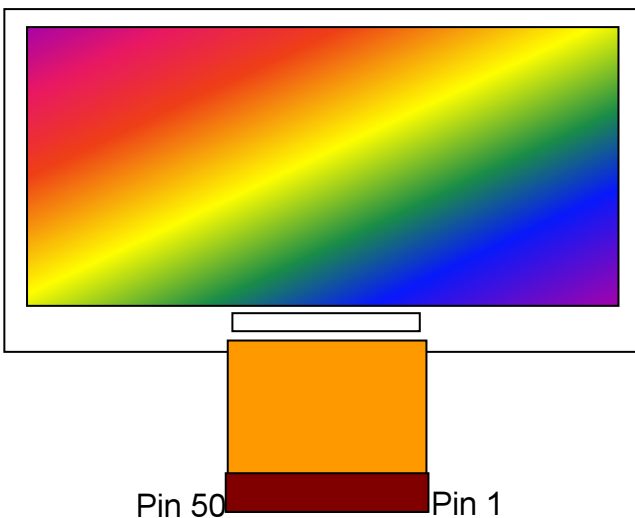
1. Pin Assignment

No.	Pin Name	I/O	Description	Remarks
1	VLED+	P	Backlight LED anode	
2	VLED-	P	Backlight LED cathode	
3	X1	I/O	Touch panel right electrode (R)	
4	Y2	I/O	Touch panel bottom electrode (B)	
5	X2	I/O	Touch panel left electrode (L)	
6	Y1	I/O	Touch panel top electrode (U)	
7	VCOM	I	Common electrode driving voltage	
8	GND	G	Power Grounding	
9	DOTCLK	I	Data clock Input	
10	GND	G	Power Grounding	
11	VSYNC	I	Vertical sync input	
12	HSYNC	I	Horizontal sync input	
13	DATA0	I	Serial data	
14	DATA 1	I	Serial data	
15	DATA 2	I	Serial data	
16	DATA 3	I	Serial data	
17	DATA 4	I	Serial data	
18	DATA 5	I	Serial data	
19	DATA 6	I	Serial data	
20	DATA 7	I	Serial data (MSB)	
21	VDDIO	P	Voltage input pin for logic I/O	
22	RESET	I	System reset pin	Fixed to VDDIO if not used.
23	SCL	I	Clock input pin in serial mode	
24	CSB	I	Chip select pin of serial interface	
25	SDA	I	Data input pin in serial mode	
26	GND	G	Power Grounding	
27	VDD	P	Booster input voltage pin	
28	VCC	C	Stabilizing capacitor	
29	C4M	C	Pins to connect capacitance for power circuitry	
30	C4P	C	Pins to connect capacitance for power circuitry	
31	VINT3	C	Intermediate voltage for charge pump	

32	VDD	P	Booster input voltage pin	
33	VINT1	C	Intermediate voltage for charge pump	
34	C2P	C	Pins to connect capacitance for power circuitry	
35	C2M	C	Pins to connect capacitance for power circuitry	
36	C1P	C	Pins to connect capacitance for power circuitry	
37	C1M	C	Pins to connect capacitance for power circuitry	
38	GND	G	Power Grounding	
39	C3P	C	Pins to connect capacitance for power circuitry	
40	C3M	C	Pins to connect capacitance for power circuitry	
41	VINT2	C	Intermediate voltage for charge pump	
42	C5P	C	Pins to connect capacitance for power circuitry	
43	C5M	C	Pins to connect capacitance for power circuitry	
44	VGH	C	Pins to connect capacitance for power circuitry	
45	C6P	C	Pins to connect capacitance for power circuitry	
46	C6M	C	Pins to connect capacitance for power circuitry	
47	VGL	C	Pins to connect capacitance for power circuitry	
48	VCOMH	C	Power setting capacitor for VCOM	
49	VCOML	C	Power setting capacitor for VCOM	
50	VCOM	I	Common electrode driving voltage	

I : Input, O : Output, C : Capacitor, P : Power, D : Dummy

Note: Definition of scanning direction, Refer to figure as below :

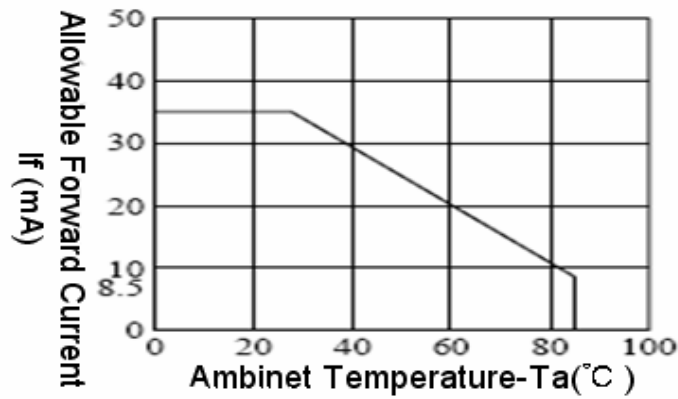


2. Absolute Maximum Ratings

Items	Symbol	Values		Unit	Condition
		Min.	Max.		
Power Voltage	VCI / VDDIO	-0.3	4	V	
LED Reverse Voltage	Vr		5	V	One LED
LED Forward Current	If		22	mA	One LED, Note 2

Note 1. If the operating condition exceeds the absolute maximum ratings, the TFT-LCD module may be damaged permanently. Also, if the module operated with the absolute maximum ratings for a long time, its reliability may drop.

Note 2. If LED current exceeds the limit curve, the lifetime will drop dramatically.



3. Electrical Characteristics

The following items are measured under stable condition and suggested application circuit.

a. TFT- LCD Panel (GND=0V)

Parameter		Symbol	Min	Typ	Max	Unit	Notes
Power Supply		VDD	3.0	3.3	3.6	V	
		VDDIO	1.65	3.3	3.6	V	
Frame Frequency		f _{Frame}		60		Hz	
Dot Data Clock	8 bits serial without dummy	DCLK		27		MHz	
	8 bits serial with dummy			24.53			
Input Signal Voltage		V _i	0		0.3 x VDDIO	V	
		V _I	0.7 x VDDIO		VDDIO	V	
Current Consumption		IVCC		12	15	mA	

Note 1: Frame rate is 60Hz. Test pattern is the following picture.

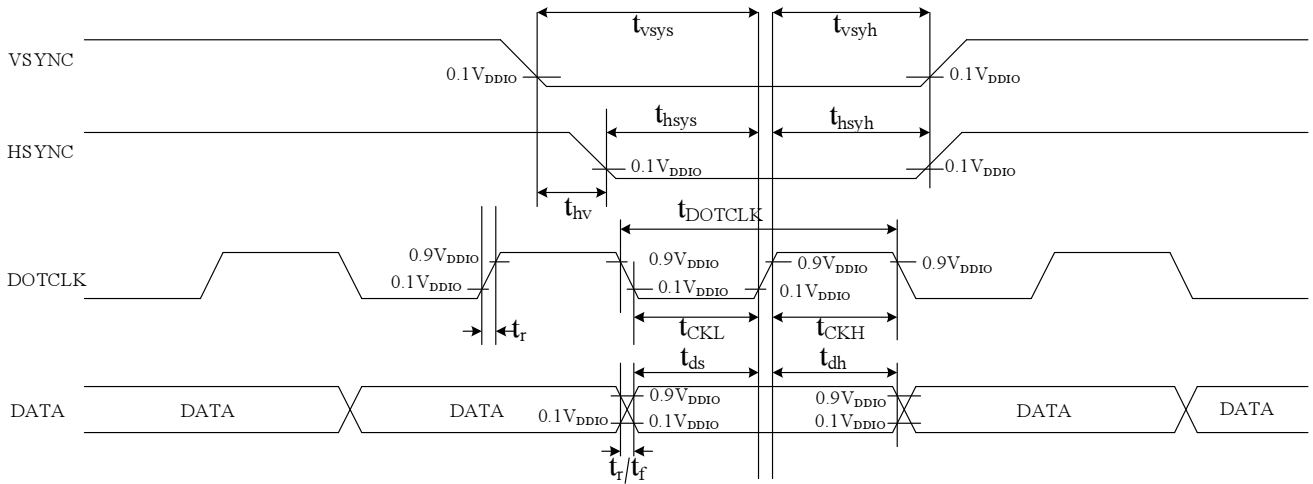


b. Backlight driving conditions

Parameter	Symbol	Min.	Typ.	Max.[Note1]	Unit	Remark
Backlight Current			20	22	mA	
Backlight voltage	V _L		(19.2)	21	V	

4. AC Timing

a. Display General Information



Characteristics	Symbol	Target Min	Target Typ	Target Max	Units
Vertical Sync. Setup Time	t_{vsys}	12	-	-	nSec
Vertical Sync. Hold Time	t_{vsyh}	12	-	-	nSec
Horizontal Sync. Setup Time	t_{hsys}	12	-	-	nSec
Horizontal Sync. Hold Time	t_{hsyh}	12	-	-	nSec
DOTCLK Low Period	t_{ckl}	20	-	-	nSec
DOTCLK High Period	t_{ckh}	20	-	-	nSec
Data Setup Time	t_{ds}	12	-	-	nSec
Data Hold Time	t_{dh}	12	-	-	nSec
Rise/Fall Time	t_r/t_f	5	-	10	nSec

b. 8-bit Serial Interface

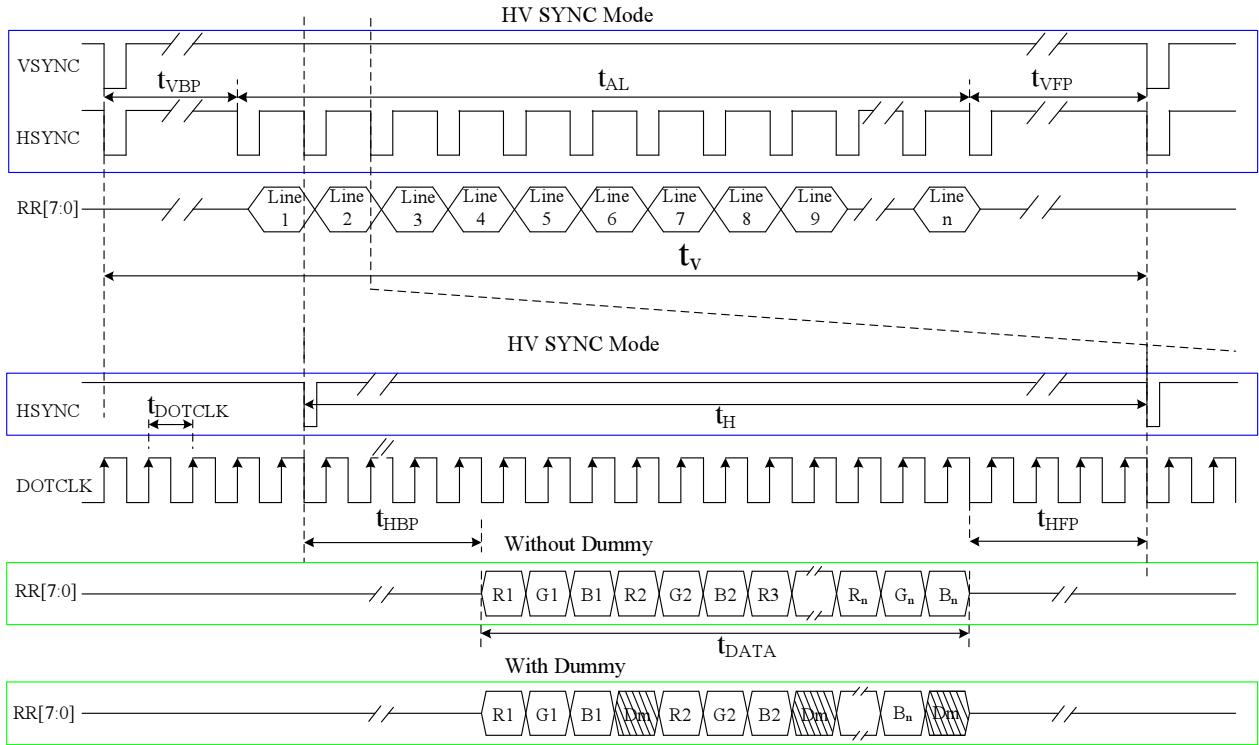


Table: 8-bit Serial Interface HV Sync. Mode without Dummy Timing Characteristics

Parameter		Symbol	Min.	Typ.	Max.	Unit.	Remark	
DCLK frequency		$1/t_{DOTCLK}$	13.5	27	30	MHz		
HSYNC	Period	t_H	1024	1716	1728	t_{DCLK}		
	Display period	t_{DATA}	960			t_{DCLK}		
	Back porch	t_{HBP}	50	70	255	t_{DCLK}	Note 1	
	Front porch	t_{HFP}	14	686	718	t_{DCLK}		
	Pulse width	t_{HSW}	1	1	$t_{HBP} - 1$	t_{DCLK}		
VSYNC	Period	Odd	t_V	247.5	262.5	276.5	t_H	Note 2
		Even						
	Display period	Odd	t_{AL}	240			t_H	
		Even						
	Back porch	Odd	t_{VBP}	6	21	31	t_H	
		Even		6.5	21.5	31.5		
	Front porch	Odd	t_{VFP}	1.5	1.5	-	t_H	
		Even		1	1	-		
	Pulse width	Odd	t_{VSW}	$1t_{DCLK}$	$1t_{DCLK}$	$1t_H$		
		Even						

Note 1: The t_{HBP} time is adjustable by setting register HBLK; requirement of minimum blanking time and minimum front porch time must be satisfied.

Note 2: The t_{VHP} time is adjustable by setting register VBLK.

***Frame rate = DCLK frequency/($t_H * t_V$). The condition ($70\text{Hz} \geq \text{Frame rate} \geq 55\text{Hz}$) must be satisfied.**

Table: 8-bit Serial Interface HV Sync. Mode with Dummy Timing Characteristics

Parameter		Symbol	Min.	Typ.	Max.	Unit.	Remark	
DCLK frequency		$1/t_{\text{DotCLK}}$	20.54	24.535	30	MHz		
HSYNC	Period	t_H	1354	1560	1907	t_{DCLK}		
	Display period	t_{DATA}	1280			t_{DCLK}		
	Back porch	t_{HBP}	50	241	255	t_{DCLK}		
	Front porch	t_{HFP}	24	39	372	t_{DCLK}		
	Pulse width	t_{HSW}	1	1	$t_{\text{HBP}} - 1$	t_{DCLK}		
VSYNC	Period	Odd	t_V	247.5	262.5	276.5	t_H	
		Even						
	Display period	Odd	t_{AL}	240			t_H	
		Even						
	Back porch	Odd	t_{VBP}	6	21	31	t_H	
		Even		6.5	21.5	31.5		
	Front porch	Odd	t_{VFP}	1.5	1.5	-	t_H	
		Even		1	1	-		
	Pulse width	Odd	t_{VSW}	$1 t_{\text{DCLK}}$	$1 t_{\text{DCLK}}$	$1 t_H$		
		Even						

***Frame rate = DCLK frequency/($t_H * t_V$). The condition ($70\text{Hz} \geq \text{Frame rate} \geq 55\text{Hz}$) must be satisfied.**

c. YUV Interface

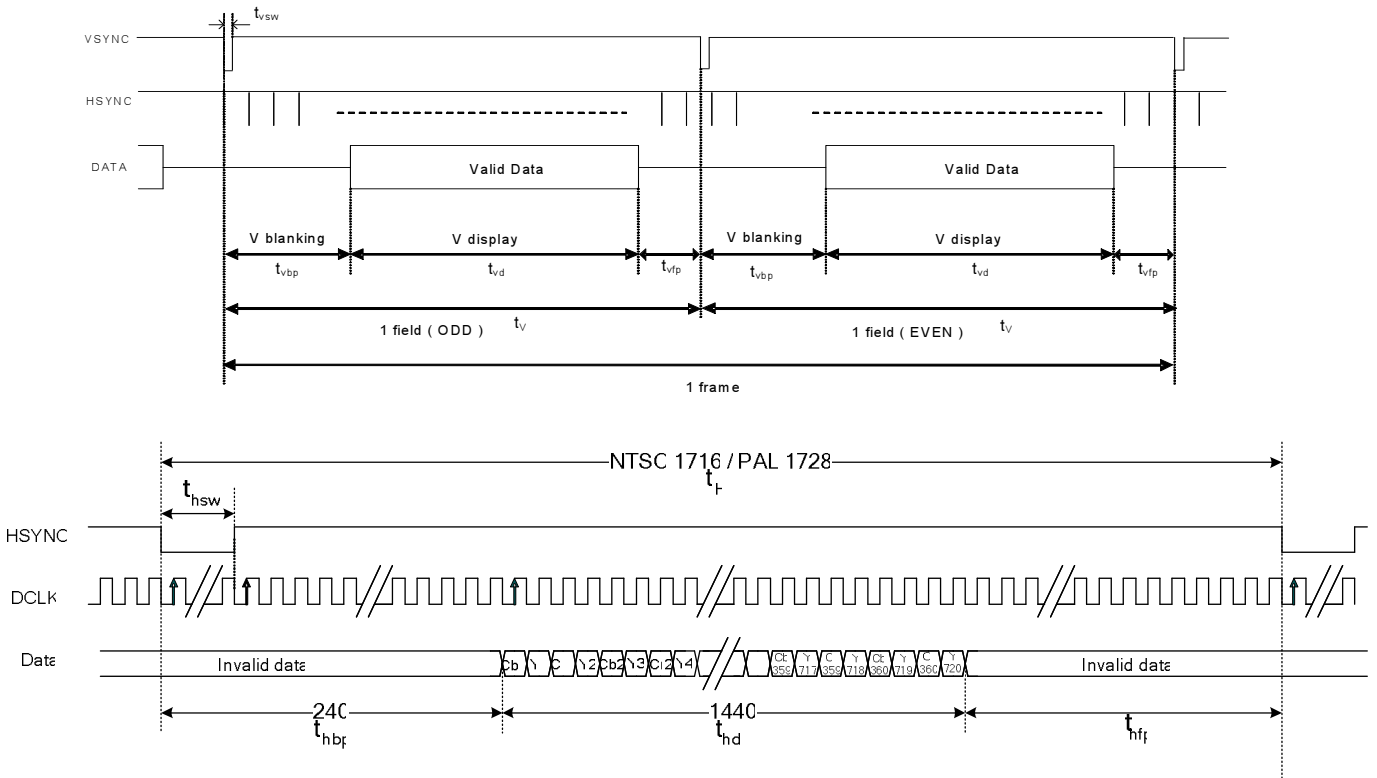


Table: YUV640 Interface HV Sync. Mode Timing Characteristics

Parameter		Symb	Min.	Typ.	Max.	Unit.	Remark	
DCLK frequency		$1/t_{DCLK}$	20.65	24.535	30	MHz		
HSYNC	Period	t_H	1362	1560	1907	t_{DCLK}		
	Display period	t_{hd}	1280			t_{DCLK}		
	Back porch	t_{hbp}	50	240	255	t_{DCLK}		
	Front porch	t_{hfp}	32	40	372	t_{DCLK}		
	Pulse width	t_{hsw}	-	1	-	t_{DCLK}		
VSYNC	Period	Odd	t_v	247.5	262.5	276.5	t_H	
		Even						
	Display period	Odd	t_{vd}	240			t_H	
		Even						
	Back porch	Odd	t_{vbp}	6	21	31	t_H	
		Even		6.5	21.5	31.5		
	Front porch	Odd	t_{vfp}	1.5	1.5	-	t_H	
		Even		1	1	-		
	Pulse width	Odd	t_{vsw}	-	1	-	t_{DCLK}	
		Even						

Table: YUV720 Interface HV Sync. Mode Timing Characteristics

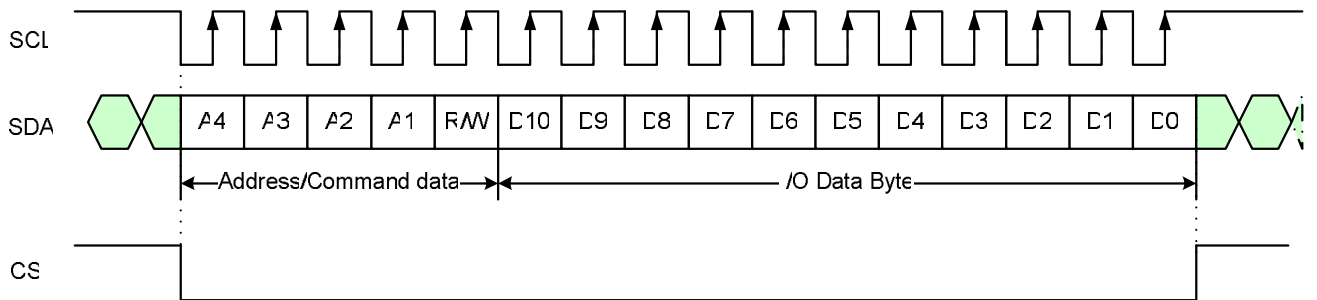
Parameter		Symb	Min.	Typ.	Max.	Unit.	Remark	
DCLK frequency		$1/t_{DCLK}$	23	27	30	MHz		
HSYNC	Period	t_H	1524	1716	1907	t_{DCLK}		
	Display period	t_{hd}	1440			t_{DCLK}		
	Back porch	t_{hbp}	50	240	255	t_{DCLK}		
	Front porch	t_{hfp}	34	36	212	t_{DCLK}		
	Pulse width	t_{hsw}	-	1	-	t_{DCLK}		
VSYNC	Period	Odd	t_V	247.5	262.5	276.5	t_H	
		Even						
	Display period	Odd	t_{vd}	240			t_H	
		Even						
	Back porch	Odd	t_{vbp}	6	21	31	t_H	
		Even		6.5	21.5	31.5		
	Front porch	Odd	t_{vfp}	1.5	1.5	-	t_H	
		Even		1	1	-		
	Pulse width	Odd	t_{vsw}	$1 t_{DCLK}$	$1 t_{DCLK}$	$1 t_H$		
		Even						

Note 1: The t_{HBP} time is adjustable by setting register HBLK; requirement of minimum blanking time and minimum front porch time must be satisfied.

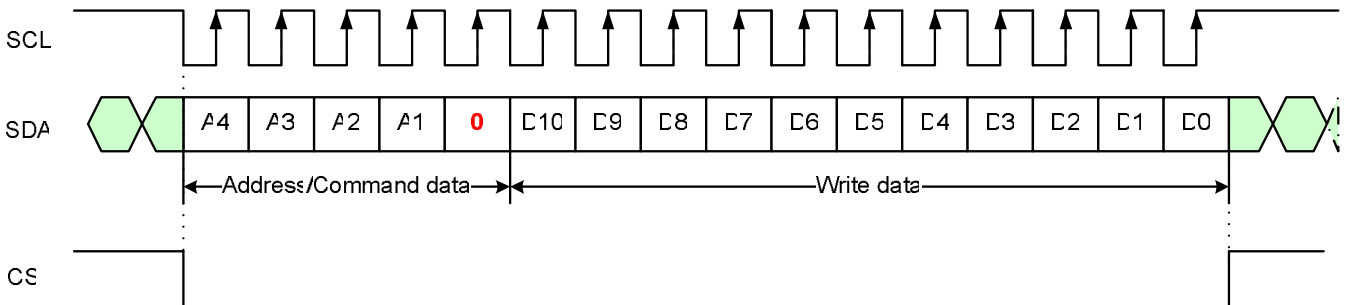
Note 2: The t_{VHP} time is adjustable by setting register VBLK.

***Frame rate = DCLK frequency / (t_H * t_V). The condition ($70\text{Hz} \geq \text{Frame rate} \geq 55\text{Hz}$) must be satisfied.**

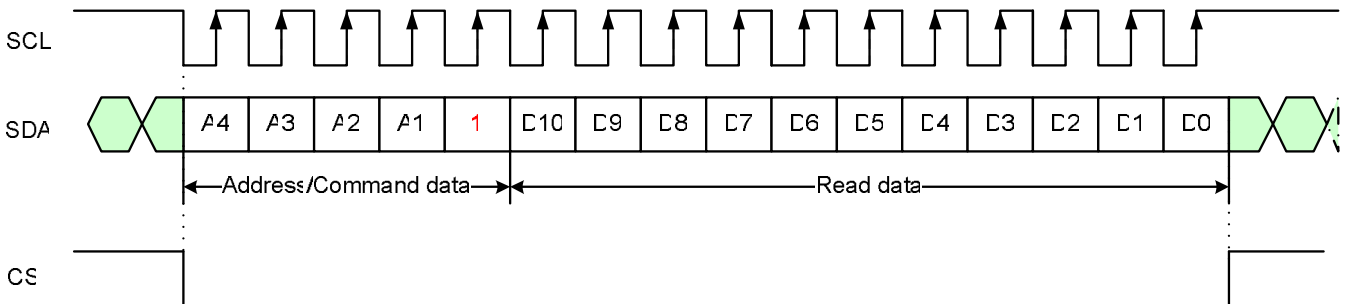
d. SPI Timing Diagram



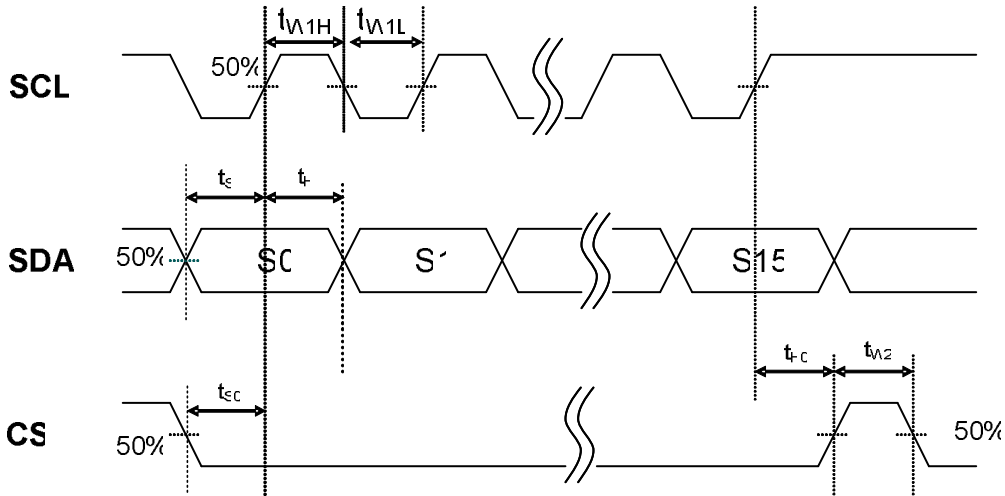
Write Mode:



Read Mode:



e. SPI Timing Specification



Item	Symbol	Min	Typical	Max	Unit
CS input setup Time	t_{S0}	50			ns
CS input hold Time	t_{H0}	50			ns
CS pulse high width	t_{W2}	1			us
Serial data input setup Time	t_{S1}	50			ns
Serial data input hold Time	t_{H1}	50			ns
SCL pulse low width	t_{W1L}	50			ns
SCL pulse high width	t_{W1H}	50			ns

5. Command Register Settings

a. Serial setting map

➤ () is default

No.	Register address					Register data											
	A4	A3	A2	A1	R/W	D10	D9	D8	D7	D6	D5	D4	D3	D2	D1	D0	
R0	0	0	0	0	R/W	0	0	0	0	0	UD (1)	SHL (1)	GRB (1)	STB (0)	SHDB (0)	SHCB (1)	
R1	0	0	0	1	R/W	x	x	x	Y_CbCr (00)		1	1	1	SEL (000)			
R2	0	0	1	0	R/W	x	x	1	HBLK (01000110)								
R3	0	0	1	1	R/W	x	x	x	x	0	0	VBLK (10101)					
R4	0	1	0	0	R/W	x	1	1	1	1	0	0	1	0	1	AVGY	
R5	0	1	0	1	R/W	x	x	x	x	x	x	x	CONTRAST (1000)				
R6	0	1	1	0	R/W	x	x	x	x	BRIGHTNESS (1000000)							
R7	0	1	1	1	R/W	x	x	x	x	OP (000)			VGL_SEL (10)		VGH_SEL (11)		
R8	1	0	0	0	R/W	x	x	x	1	VCOMH (0110000)							
R9	1	0	0	1	R/W	x	x	x	x	VCOML (0110000)							
R10	1	0	1	0	R/W	x	x	x	PWM_400K (0)	DC_F (1)	CLK_ChP_M (10)		0	1	1	0	
R11	1	0	1	1	R/W	x	GMA_M (1)	GMA_V4 (011)			GMA_V1 (011)			GMA_V0 (011)			
R12	1	1	0	0	R/W	x	x	GMA_V48 (011)			GMA_V36 (011)			GMA_V16 (011)			
R13	1	1	0	1	R/W	x	x	x	x	x	GMA_V59 (011)			GMA_V55 (011)			
R14	1	1	1	0	R/W	x	x	x	x	x	GMA_V63 (011)			GMA_V62 (011)			
R15	1	1	1	1	R/W	x	x	x	x	x	VENDOR (00)			VERSION (0000)			

"X" => Please set to '0'.

NOTE:

1. "*" is for engineering reserved register setting, and please follow the suggested value.
2. Please refer to our recommended register settings section for better performance.

b. Description of serial control data

I. R0 Register

No.	A4	A3	A2	A1	R/W	D10	D9	D8	D7	D6	D5	D4	D3	D2	D1	D0
R0	0	0	0	0	R/W	0	0	0	0	0	UD (1)	SHL (1)	GRB (1)	STB (0)	SHDB (0)	SHCB (1)

UD: Vertical shift direction selection

UD	Function
D5	
0	Shift from down to up, Last line = G1←G2...G239←G240 = First line
1	Shift from up to down, First line = G1→G2...G239→G240 = Last line (Default)

SHL: Horizontal shift direction selection

SHL	Function
D4	
0	Shift from right to left, Last data = S1←S2...S959←S960 = First data
1	Shift from left to right, First data = S1→S2...S959→S960 = Last data (Default)

GRB: Global reset

GRB	Function
D3	
0	Reset all registers to default value
1	Normal operation (Default)

STB: Standby mode setting

STB	Function
D2	
0	Standby (Display OFF); timing control, DAC, and DC/DC converter are off, and register data should be kept (Default)
1	Normal operation (Display ON), with power on/off sequence

SHDB: DC-DC converter shutdown setting

SHDB	Function
D1	
0	DC-DC converter is off. (Default)
1	DC-DC converter is on. DC-DC controls by STB and power on/off sequence.

SHCB: Charge Pump shutdown setting

SHCB	Function
D0	
0	Charge Pump converter is off.
1	Charge Pump converter is on. (Default) Charge Pump controls by STB and power on/off sequence.

II. R1 Register

No.	A4	A ₃	A2	A1	R/W	D10	D9	D8	D7	D6	D5	D4	D3	D2	D1	D0
R1	0	0	0	1	R/W	x	x	x	Y_CbCr (00)		1	1	1	SEL (0)		

Y_CbCr: Y & CbCr exchange position (only valid for YUV640 / YUV720)

Y_CbCr	Function								
D7~D6									
00	Cb1	Y1	Cr1	Y2	Cb2	Y3	Cr2	Y4	(Default)
01	Cr1	Y1	Cb1	Y2	Cr2	Y3	Cb2	Y4	
10	Y1	Cb1	Y2	Cr1	Y3	Cb2	Y4	Cr2	
11	Y1	Cr1	Y2	Cb1	Y3	Cr2	Y4	Cb2	

SEL: Input data timing format selection

SEL	Function
000	HV mode without dummy. (Default)
001	HV mode with dummy.
100	HV mode with YUV640
101	HV mode with YUV720

III. R2 Register

No.	A4	A3	A2	A1	R/W	D10	D9	D8	D7	D6	D5	D4	D3	D2	D1	D0
R2	0	0	1	0	R/W	x	x	1	HBLK (01000110)							

HBLK: Horizontal blanking setting.

HBLK(D7~D0)	HBLK	Unit	Remark
00110010	50	DCLK(*)	Without dummy
01000110 (Default)	70(Default)		
11111111	255		
00110010	50	DCLK(*)	With dummy
11110001 (Default)	241(Default)		
11111111	255		
00110010	50	DCLK(*)	YUV640 YUV720
11110000 (Default)	240(Default)		
11111111	255		

IV. R3 Register

No.	A4	A3	A2	A1	R/W	D10	D9	D8	D7	D6	D5	D4	D3	D2	D1	D0
R3	0	0	1	1	R/W	x	x	x	x	00	VBLK (10101)					

VBLK: Vertical blanking setting

VBLK(D4~D0)	VBLK	Unit
00001	1	t _H
10101	21 (Default)	
11111	31	

V. R4 Register

No.	A4	A3	A2	A1	R/W	D10	D9	D8	D7	D6	D5	D4	D3	D2	D1	D0
R4	1	0	0	0	R/W	x	1	1	1	1	0	0	1	0	1	AVGY

AVGY: Average luminance Y setting

AVGY	Function
D0	
0	Only used odd Y sample for YUV to RGB conversion
1	Used odd and even Y sample for YUV to RGB conversion (Default)

Note: This function is only used for YUV640, YUV720.

AVGY='0'

$$R_n = 1.164 * (Y_{2n-1} - 16) + 1.596 * (C_{rn} - 128)$$

$$G_n = 1.164 * (Y_{2n-1} - 16) - 0.813 * (C_{rn} - 128) - 0.392 * (C_{bn} - 128)$$

$$B_n = 1.164 * (Y_{2n-1} - 16) + 2.017 * (C_{bn} - 128)$$

Where Y:16~235 C_r:16~240 C_b:16~240

AVGY='1'

$$R_n = 1.164 * [(Y_{2n-1} + Y_{2n}) / 2 - 16] + 1.596 * (C_{rn} - 128)$$

$$G_n = 1.164 * [(Y_{2n-1} + Y_{2n}) / 2 - 16] - 0.813 * (C_{rn} - 128) - 0.392 * (C_{bn} - 128)$$

$$B_n = 1.164 * [(Y_{2n-1} + Y_{2n}) / 2 - 16] + 2.017 * (C_{bn} - 128)$$

Where Y:16~235 C_r:16~240 C_b:16~240

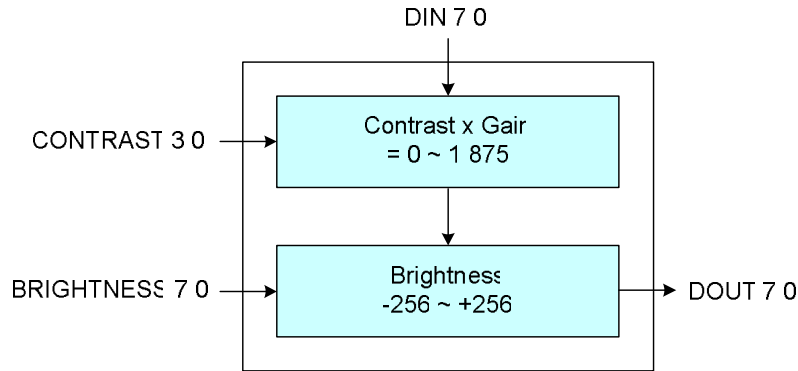
VI. R5 Register

No.	A4	A3	A2	A1	R/W	D10	D9	D8	D7	D6	D5	D4	D3	D2	D1	D0
R5	0	1	0	1	R/W	x	x	x	x	x	x	x	CONTRAST (1000)			

CONTRAST: RGB contrast level adjustment

CONTRAST	Function
D3~D0	
0000	0
1000	1 (Default)
1111	1.875

Note: each step is 0.125/LSB.



8-bit serial setting to control the contrast (gain) for RGB signals

$$DOUT [7:0] = DIN[7:0] \times Contrast[0 \text{ to } 1.0 \text{ to } 1.875]$$

Note: output value above “255” is clipped

VII. R6 Register

No.	A4	A3	A2	A1	R/W	D10	D9	D8	D7	D6	D5	D4	D3	D2	D1	D0
R6	0	1	1	0	R/W	x	x	x	x	BRIGHTNESS						

BRIGHTNESS: RGB brightness level adjustment

BRIGHTNESS	Function
D6~D0	
00h	-256
40h	0 (Default)
7Fh	+256

Note: each step is 4/LSB.

8-bit serial setting to control the RGB brightness level

$$DOUT[7:0] = DIN [7:0] + BRIGHTNESS[-256 \text{ to } 0 \text{ to } +256]$$

Note: output value above “255” is clipped

VIII. R7 Register

No.	A4	A3	A2	A1	R/W	D10	D9	D8	D7	D6	D5	D4	D3	D2	D1	D0
R7	0	1	1	1	R/W	x	x	x	x	OP (00)		VGL_SEL (10)		VGH_SEL (11)		

OP: DAC output driving capability selection

OP	Function
D6~D4	

0XX	Controlled by input pin OP0 and OP1 (Default)
100	-25%
101	Normal
110	+25%
111	+50%

VGL_SEL:VGL voltage selection

VGL_SEL	Function
D3~D2	
00	-8V
01	-9V
10	-10V (Default)
11	-11V

VGH_SEL:VGH voltage selection

VGH_SEL	Function
D1~D0	
00	12
01	13
10	14
11	15 (Default)

IX. R8 Register

No.	A4	A3	A2	A1	R/W	D10	D9	D8	D7	D6	D5	D4	D3	D2	D1	D0
R8	1	0	0	0	R/W	x	x	x	1	VCOMH (0110000)						

VCOMH: VCOMH level adjustment

VCOMH	Voltage(V)	
D6~D0	MVA/TN Normal	TN LV
00h	3.162	1.362
:	:	:
30h	4.026 (Default)	2.226 (Default)
:	:	:
7Fh	5.448	3.648

Note: Step is 18mV/step.

X. R9 Register

No.	A4	A3	A2	A1	R/W	D10	D9	D8	D7	D6	D5	D4	D3	D2	D1	D0
R9	1	0	0	1	R/W	x	x	x	x	VCOML (0110000)						

VCOML: VCOML level adjustment

VCOML	Voltage(V)	
D6~D0	MVA/TN Normal	TN LV
00h	-2.358	-2.628
:	:	:
30h	-1.494 (Default)	-1.764 (Default)
:	:	:
7Fh	-0.072	-0.342

Note: Step is 18mV/step.

XI. R10 Register

No.	A4	A3	A2	A1	R/W	D10	D9	D8	D7	D6	D5	D4	D3	D2	D1	D0
R10	1	0	1	0	R/W	x	x	x	PWM_400K (0)	DC_F (1)	CLK_ChP_M (10)	0	1	1	0	

PWM_400K: PWM frequency selection

PWM_400K	Function
D7	
0	Around 200KHz. (Default)
1	Around 400KHz.

DC_F: DCDC frequency selection

DC_F	Function
D6	
0	Operating frequency is base on 13.5MHz.
1	Operating frequency is base on 27MHz. (Default)

CLK_ChP_M: Charge pumping frequency selection

CLK_ChP_M	Function
D5~D4	
00	$F(\text{Chp}) = f(\text{Hsync})/2$
01	$F(\text{Chp}) = f(\text{Hsync})$
10	$F(\text{Chp}) = f(\text{Hsync}) * 2$. (Default)
01	$F(\text{Chp}) = f(\text{Hsync}) * 4$

XII. R11~14 Register

No.	A4	A3	A2	A1	R/W	D10	D9	D8	D7	D6	D5	D4	D3	D2	D1	D0
R11	1	0	1	1	R/W	x	GMA_M (1)	GMA_V4 (011)			GMA_V1 (011)		GMA_V0 (011)			
R12	1	1	0	0	R/W	x	x	GMA_V48 (011)			GMA_V36 (011)		GMA_V16 (011)			
R13	1	1	0	1	R/W	x	x	x	x	x	GMA_V59 (011)		GMA_V55 (011)			
R14	1	1	1	0	R/W	x	x	x	x	x	GMA_V63 (011)		GMA_V62 (011)			

GMA_M: Gamma adjustment selection

GMA_M	Function
D6	
0	Manual adjust by registers R11~R14.
1	Auto set to gamma 2.2 by LC type. (Default)

C. Optical Specification (Note1, Note 2 and Note 3)

Item	Symbol	Condition	Min.	Typ.	Max.	Unit	Remark	
Response Time								
Rise	Tr	$\theta=0^\circ$	--	10	20	ms	Note 4	
Fall	Tf		--	15	25	ms		
Contrast ratio	CR	At optimized viewing angle	150	300	--		Note 5,6	
Viewing Angle	Top	1) Φ_T	CR \square 10	35	50	--	deg.	Note 7
	Bottom	2) Φ_B		40	55	--		
	Left	3) Φ_L		45	60	--		
	Right	4) Φ_R		45	60	--		
Brightness	Y_L	$\theta=0^\circ$	200	250	--	cd/m ²	Note 8	
Chromaticity	White	X	$\theta=0^\circ$	0.26	0.31	0.36		
		Y	$\theta=0^\circ$	0.28	0.33	0.38		
	Red	X	$\theta=0^\circ$	0.55	0.60	0.65		
		Y	$\theta=0^\circ$	0.30	0.35	0.40		
	Green	X	$\theta=0^\circ$	0.28	0.33	0.38		
		Y	$\theta=0^\circ$	0.52	0.57	0.62		
	Blue	X	$\theta=0^\circ$	0.11	0.16	0.21		
		Y	$\theta=0^\circ$	0.10	0.15	0.20		

Note 1. Ambient temperature =25°C.

Note 2. To be measured in the dark room.

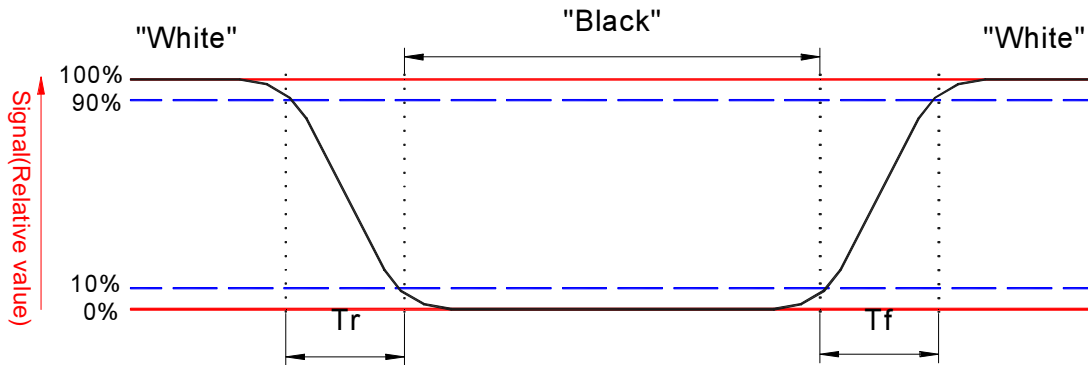
Note 3. To be measured on the center area of panel with a field angle of 1° by Topcon luminance meter **BM-5A**, after 10 minutes operation.

Note 4. Definition of response time:

The output signals of photo detector are measured when the input signals are changed from “black” to “white”(falling time) and from “white” to “black”(rising time), respectively.

The response time is defined as the time interval between the 10% and 90% of amplitudes.

Refer to figure as below.



Note 5. Definition of contrast ratio:

Contrast ratio is calculated with the following formula.

$$\text{Contrast ratio (CR)} = \frac{\text{Photo detector output when LCD is at "White" state}}{\text{Photo detector output when LCD is at "Black" state}}$$

Note 6. White $V_i = V_{i50} + 1.5V$

Black $V_i = V_{i50} \pm 2.0V$

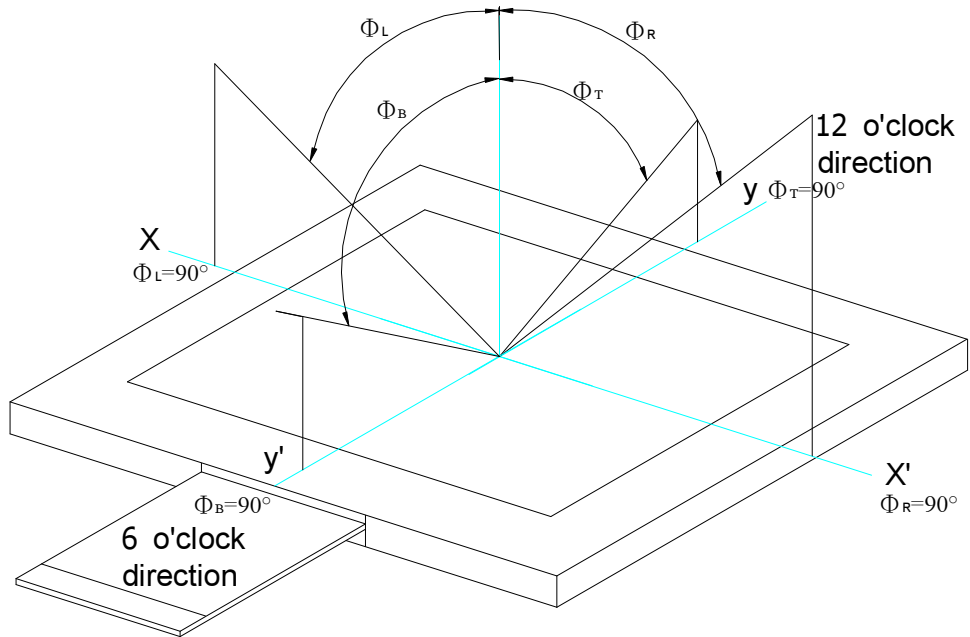
"±" Means that the analog input signal swings in phase with COM signal.

"+" Means that the analog input signal swings out of phase with COM signal.

V_{i50} : The analog input voltage when transmission is 50%

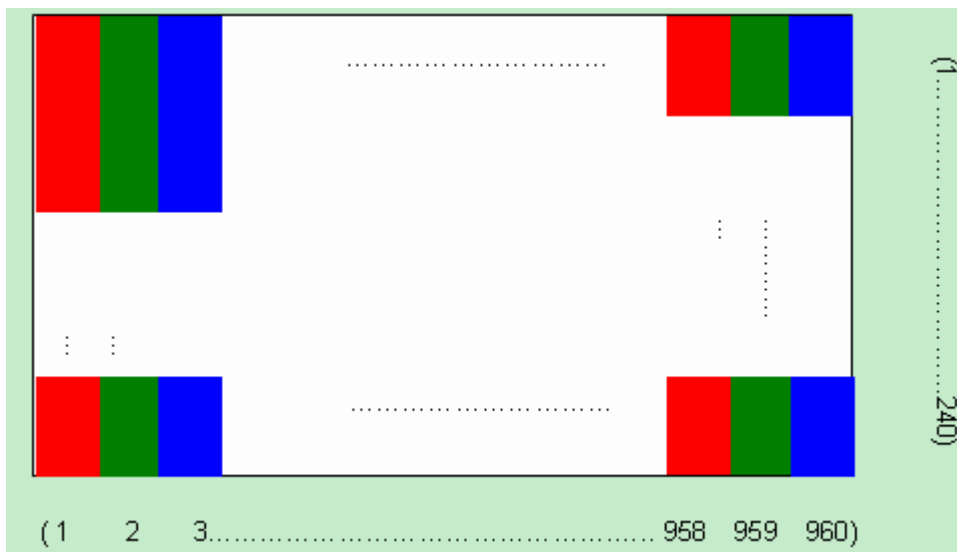
The 100% transmission is defined as the transmission of LCD panel when all the input terminals of module are electrically opened.

Note 7. Definition of viewing angle, Φ , Refer to figure as below.



Note 8. Measured at the center area of the panel in gray level 255

Note 9. Color Filter Arrangement

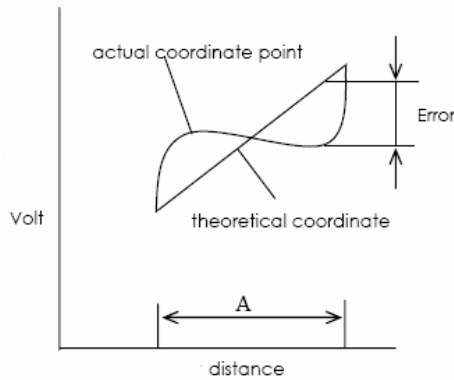


D. Touch Screen Panel Specifications

1. Electrical Characteristics

Item	Min.	Max.	Unit	Remark	
Rate DC Voltage		5	V		
Resistance	X (Film)	100	1050	Ω	At connector
	Y (Glass)	100	600		
Linearity	-1.5%	1.5%	--	Note 1, test by 250 gf	
Chattering		15	ms	At connector pin	
Insulation Resistance	20M		Ω	DC 25V	

Note 1: Measurement condition of Linearity: difference between actual voltage & theoretical voltage is an error at any points. Linearity is the value max. error voltage divided by voltage difference on active area.(Test location should keep at least 2mm from active area edge)

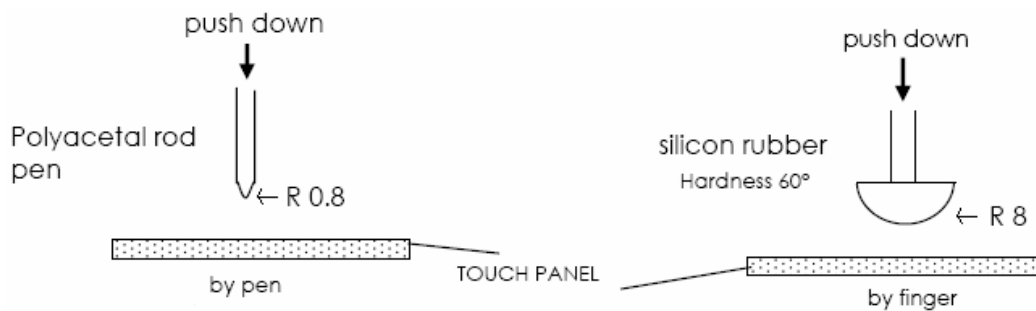


2. Mechanical Characteristics

Item	Min.	Max.	Unit	Remark
Hardness of Surface	3	--	H	JIS K-5400
Activation Force (Pen or Finger)	--	40	gf	Note 1

Note 1: Within "guaranteed active area", but not on the edge and dot-spacer.

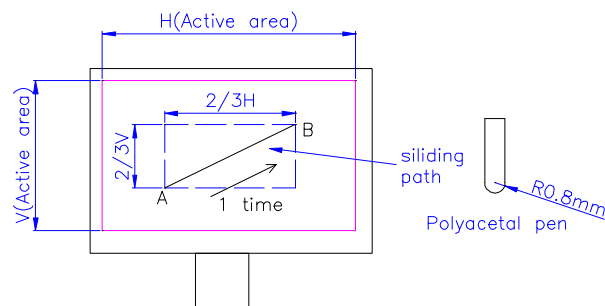
Note 2: Activation force measurement is under test condition as figure below.



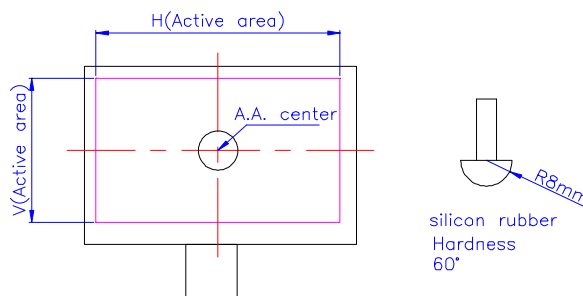
3. Life test Condition

Item	Min.	Max.	Unit	Remark
Notes Life	10 ⁵	--	words	Note 1, 2
Input Life	10 ⁶	--	times	Note 1, 3

Note 1: Notes Life test condition (by pen): slide on central 2/3 of active area and use R 0.8mm polyacetal pen, input force : 250gf, frequency : 60mm/sec. Sliding from A to B complete 1 time. shown as figure2.



Note 2: Input Life test condition (by finger): test position on active area center and use R8.0mm silicon rubber (hardness 60°), test force: 250gf, frequency : 2times/sec. shown as figure.



4. Attention

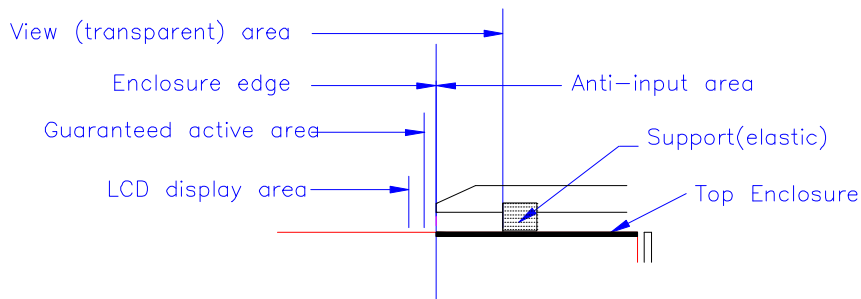
Please pay attention for below matters at mounting design of touch panel of LCD module.

1. Do not design enclosure pressing the view area to prevent from miss input.
2. Enclosure support must not touch with view area.
3. Use elastic or non-conductive material to enclosure touch panel.
4. Do not bond film of touch panel with enclosure.
5. The touch panel edge is conductive. Do not touch it with any conductive part after mounting.
6. If user wants to cleaning touch panel by air gun, pressure 2kg/cm² below is suggested. Not to blow glass from FPC site to prevent FPC peeled off.
7. Do not put a heavy shock or stress on touch panel and film surface. Ex. Don't lift the panel by film face

with vacuum.

8. Do not lift LCD module by FPC.
9. Please use dry cloth or soft cloth with neutral detergent (after wring dry) or one with ethanol at cleaning. Do not use any organic solvent, acid or alkali liquor.
10. Do not pile touch panel. Do not put heavy goods on touch panel.
11. In order to get the optimal mapping between TFT-LCD and Touch Panel, each touch panel needs to be executed calibration (5 points at least) before operating touch functions..For detail calibration algorithms, please refer to touch panel driving IC user manuals.

Recommendation of the cushion area:

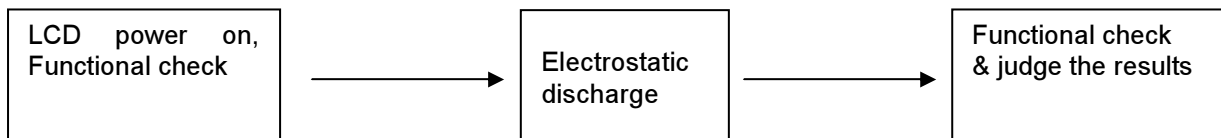


E. Reliability Test Items

No.	Test items	Conditions	Remark
1	High Temperature Storage	Ta= 80□ 240Hrs	
2	Low Temperature Storage	Ta= -40□ 240Hrs	
3	High Ttemperature Operation	Tp= 70□ 240Hrs	
4	Low Temperature Operation	Ta= -10□ 240Hrs	
5	High Temperature & High Humidity	Tp= 60□. 90% RH 240Hrs	Operation
6	Heat Shock	-30□~80□, 50 cycle, 2Hrs/cycle	Non-operation
7	Electrostatic Discharge	Air-mode : +/- 8kV Contact-mode : +/- 4kV	Note 2,3
8	Vibration	Frequency range : 10~55Hz Stoke : 1.5mm Sweep : 10~55Hz~10Hz 2 hours for each direction of X,Y,Z (6 hours for total)	Non-operation JIS C7021, A-10 condition A
10	Mechanical Shock	100G . 6ms, ±X,±Y,±Z 3 times for each direction	Non-operation JIS C7021, A-7 condition C
11	Vibration (With Carton)	Random vibration: 0.015G ² /Hz from 5~200Hz -6dB/Octave from 200~500Hz	IEC 68-34
12	Drop (With Carton)	Height: 60cm 1 corner, 3 edges, 6 surfaces	

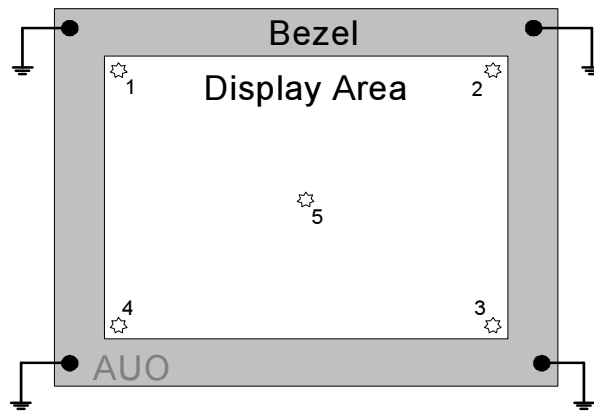
Note 1. Ta: Ambient temperature.

Note 2. ESD Testing Flow as the below,



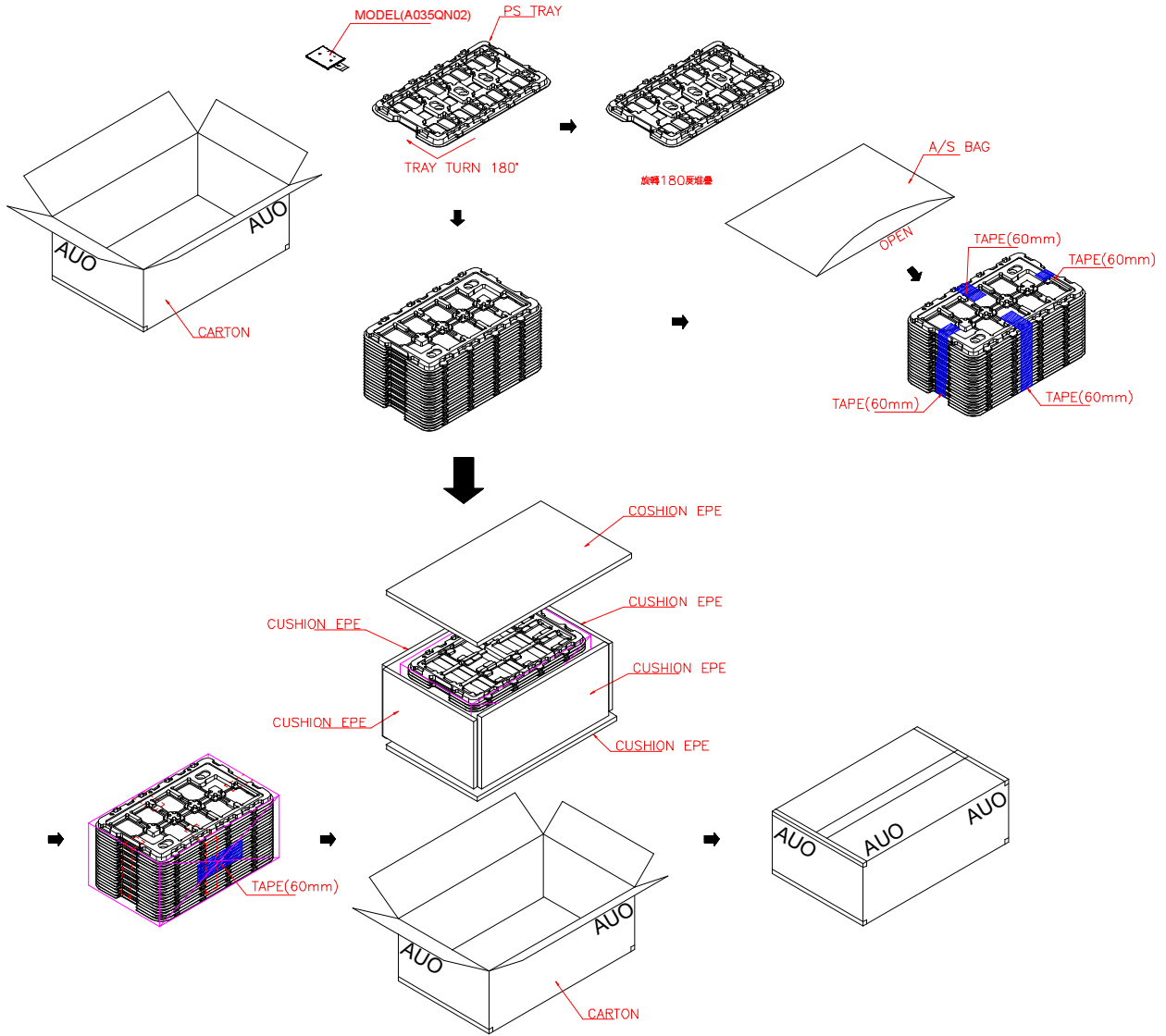
Note 3. ESD testing method.

1. Ambient: 24~26□, 56~65%RH
2. Instruments: Noiseken ESS-2000,
3. Operation System: "CX40FL-B" and adapter "A035QN04 V0T0"
4. Test Mode: Operating mode, test pattern: colorbar+8Gray scale
5. Test Method:
 - a. Contact Discharge: 150pF(330Ω) 1sec, 5 points, 10 times/point
 - b. Air Discharge: 150pF(330Ω) 1sec, 5 points, 10 times/point
6. Test point:



7. The metal casing is connected to power supply ground (0V) at four corners.
8. All register commands are repeating transfer.

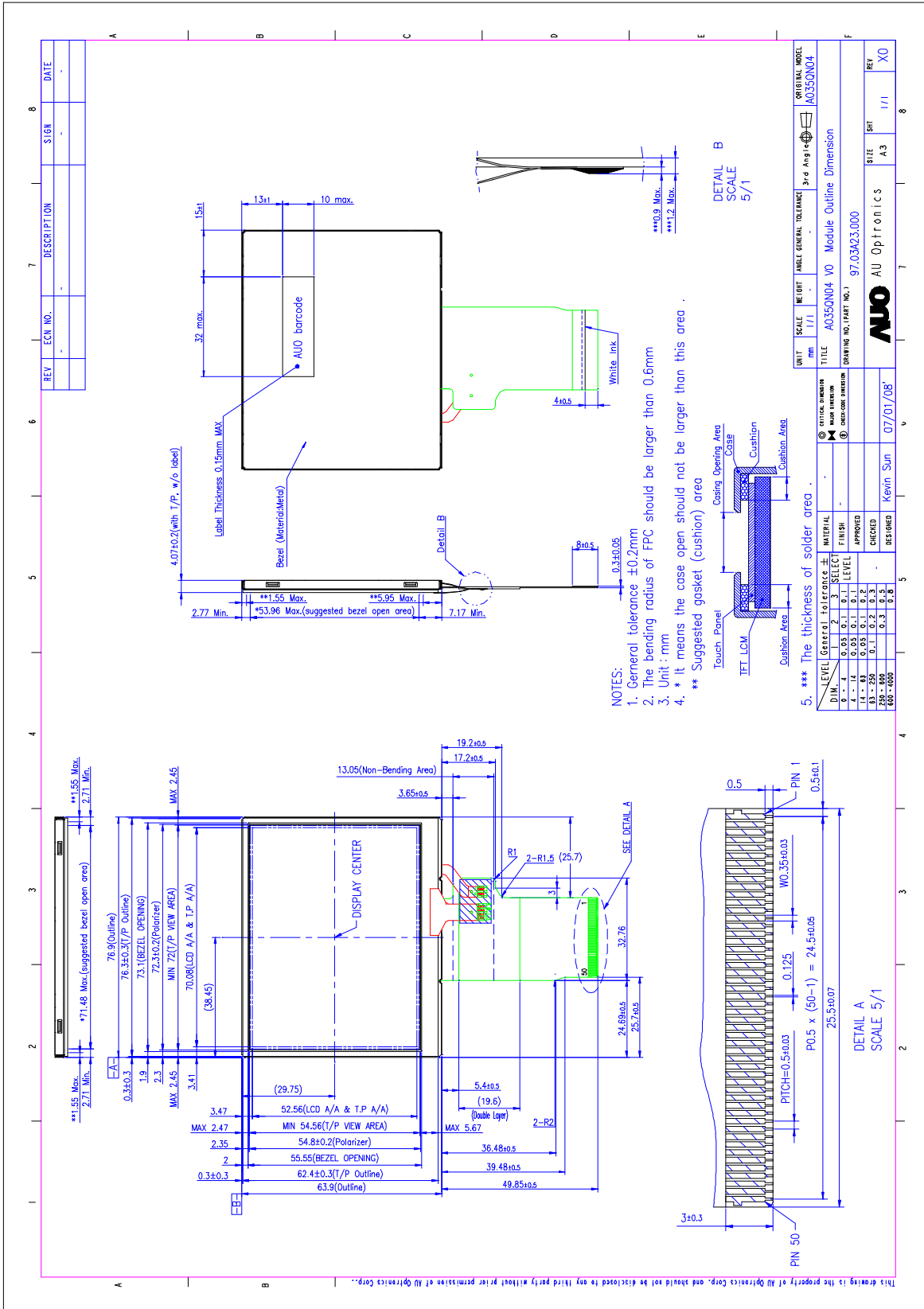
F. Packing Form



MAX. CAPACITY:160 MODULES
MAX. WEIGHT: 12Kg
MEAS. 520mm*340mm*250mm

G. Outline dimension

Any stress or attachment on the back of the LCD module is forbidden.
The protection film in the back side of LCM should be tear off before assembly.



H. Application note

1. Recommended Register Settings

a. 8-bit Serial Interface HV Sync. Mode without Dummy

Power On

No.	Command		NOTE
	High byte	Low byte	
1	00h	31h	NOTE1
Wait 50 us			
2	00h	39h	
Wait 100 us			NOTE2
3	10h	38h	
4	21h	32h	
5	30h	06h	
6	43h	CBh	
7	50h	08h	
8	60h	40h	
9	70h	0Bh	
10	80h	C1h	
11	90h	41h	
12	A0h	66h	
13	B1h	6Bh	
14	C1h	25h	
15	D0h	24h	
16	E0h	1Dh	
17	00h	3Dh	

Power Off

No.	Command		NOTE
	High byte	Low byte	
1	00h	39h	NOTE3

NOTE 1. Please add these commands if you don't use the HW Reset.

NOTE 2. Please refer to the POWER ON sequence section for register setting timing as power-on.

NOTE 3. Please refer to the POWER OFF sequence section for register setting timing as power-off.

b. 8-bit Serial Interface HV Sync. Mode with Dummy

Power On

No.	Command		NOTE
	High byte	Low byte	
1	00h	31h	NOTE1
Wait 50 us			
2	00h	39h	
Wait 100 us			NOTE2
3	10h	39h	
4	21h	32h	
5	30h	06h	
6	43h	CBh	
7	50h	08h	
8	60h	40h	
9	70h	0Bh	
10	80h	C1h	
11	90h	41h	
12	A0h	66h	
13	B1h	6Bh	
14	C1h	25h	
15	D0h	24h	
16	E0h	1Dh	
17	00h	3Dh	

Power Off

No.	Command		NOTE
	High byte	Low byte	
1	00h	39h	NOTE3

NOTE 1. Please add these commands if you don't use the HW Reset.

NOTE 2. Please refer to the POWER ON sequence section for register setting timing as power-on.

NOTE 3. Please refer to the POWER OFF sequence section for register setting timing as power-off.

c. YUV640 Mode

Power On

No.	Command		NOTE
	High byte	Low byte	
1	00h	31h	NOTE1
Wait 50 us			
2	00h	39h	
Wait 100 us			NOTE2
3	10h	3Ch	
4	21h	F0h	
5	30h	06h	
6	43h	CBh	
7	50h	08h	
8	60h	40h	
9	70h	0Bh	
10	80h	C1h	
11	90h	41h	
12	A0h	66h	
13	B1h	6Bh	
14	C1h	25h	
15	D0h	24h	
16	E0h	1Dh	
17	00h	3Dh	

Power Off

No.	Command		NOTE
	High byte	Low byte	
1	00h	39h	NOTE3

NOTE 1. Please add these commands if you don't use the HW Reset.

NOTE 2. Please refer to the POWER ON sequence section for register setting timing as power-on.

NOTE 3. Please refer to the POWER OFF sequence section for register setting timing as power-off.

d. YUV720 Mode

Power On

No.	Command		NOTE
	High byte	Low byte	
1	00h	31h	NOTE1
Wait 50 us			
2	00h	39h	
Wait 100 us			NOTE2
3	10h	3Dh	
4	21h	F0h	
5	30h	06h	
6	43h	CBh	
7	50h	08h	
8	60h	40h	
9	70h	0Bh	
10	80h	C1h	
11	90h	41h	
12	A0h	66h	
13	B1h	6Bh	
14	C1h	25h	
15	D0h	24h	
16	E0h	1Dh	
17	00h	3Dh	

Power Off

No.	Command		NOTE
	High byte	Low byte	
1	00h	39h	NOTE3

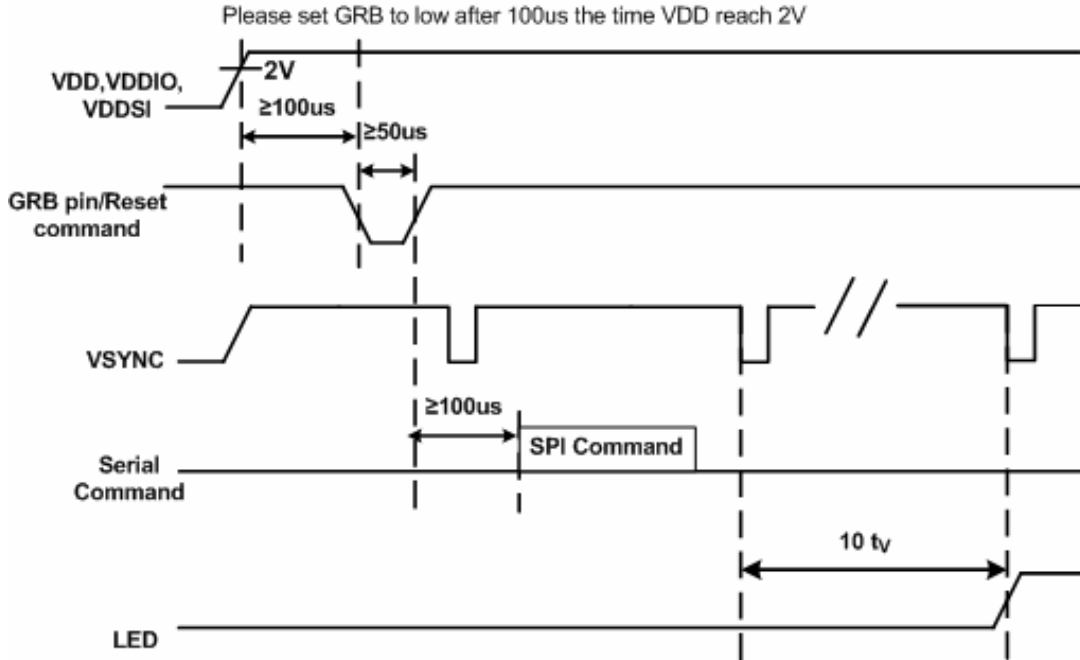
NOTE 1. Please add these commands if you don't use the HW Reset.

NOTE 2. Please refer to the POWER ON sequence section for register setting timing as power-on.

NOTE 3. Please refer to the POWER OFF sequence section for register setting timing as power-off.

2. Power on/off sequenc

e. Power on (Standby Disabling)

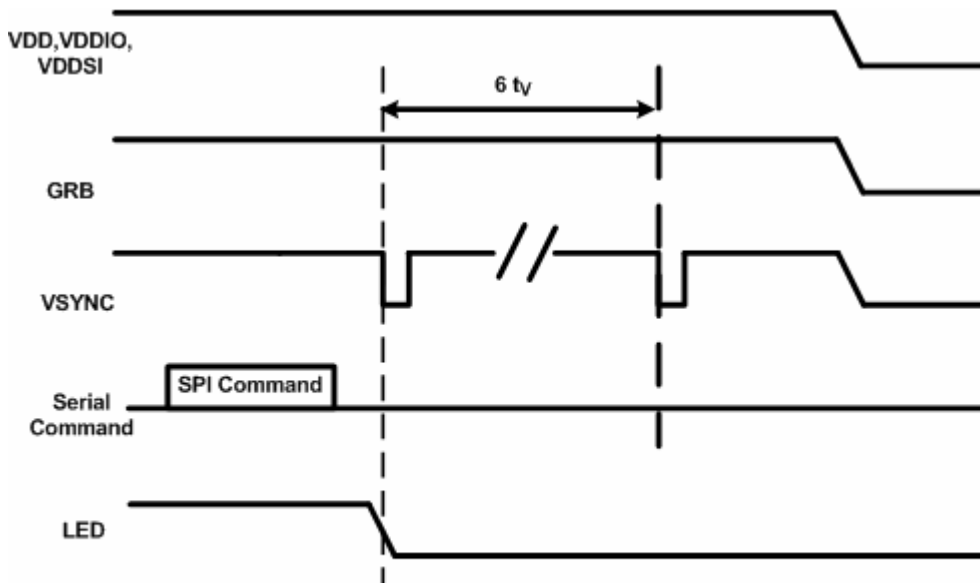


t_v : VSYNC Period

Note

- 1: After Setting Recommended Register, the driver enters into the normal operating mode.
- 2: RESET signal is necessary for power on, Please refer to the POWER ON sequence. You can use HW GRB PIN or SW Reset command to do this.
- 3: After the driver enters into the normal operating mode, The minimum cycle time of LED ON is 10 frames.

f. Power off (Standby Enabling)



t_v : VSYNC Period

Note

- 1: After Setting Recommended Register, the driver enters into standby mode.
- 2: Please Let LED OFF after the driver enters into the standby mode,
- 3: When enters into standby mode, The minimum cycle time of VDD OFF is 6 frames.

3. Suggested Circuit

The suggested circuit and recommended capacitor specification are both showed as follows. Please refer to the design for better display quality.

