



# CUSTOMER APPROVAL SHEET

<b>Company Name</b>	
<b>MODEL</b>	A047FW01 V1
<b>CUSTOMER APPROVED</b>	

- APPROVAL FOR SPECIFICATIONS ONLY (Spec. Ver. 0.2)
- APPROVAL FOR SPECIFICATIONS AND ES SAMPLE (Spec. Ver. 0.2)
- APPROVAL FOR SPECIFICATIONS AND CS SAMPLE (Spec. Ver. 0.2)
- CUSTOMER REMARK :

AUO PM :

P/N : 97.04A19.100

Comment :



Doc. version :	0.2
Total pages :	22
Date :	2009/04/06

# **Product Specification**

## **4.7" COLOR TFT-LCD MODULE/PANEL**

**MODEL NAME: A047FW01 V1**

<  >Preliminary Specification  
<  >Final Specification

Note: The content of this specification is subject to change.

© 2009 AU Optronics  
All Rights Reserved,  
Do Not Copy.

Record of Revision

Version	Revise Date	Page	Content
0.0			First Draft
0.1	2009/03/30	3	Add panel Weight
		6	Update drawing ( change label outline )
		8	Update Current Consumption
		13	Update Power On/Off Characteristics
		14	Update Optical Specification (Brightness spec & add RGB Chromaticity)
		20	Add Packing Form
		21	Update Panel Label Information
0.2	2009/04/06	13	Update Power On/Off Characteristics



## Contents

<b>A. General Information</b>	<b>3</b>
<b>B. Outline Dimension</b>	<b>4</b>
<b>C. Electrical Specifications</b>	<b>5</b>
1. TFT LCD Panel Pin Assignment	5
2. Absolute Maximum Ratings	7
3. Electrical DC Characteristics	8
4. Electrical AC Characteristics	10
5. Power On/Off Characteristics	13
<b>D. Optical Specification</b>	<b>14</b>
<b>E. Reliability Test Items</b>	<b>17</b>
<b>F. Packing and Marking</b>	<b>20</b>
1. Packing Form	20
2. Module/Panel Label Information	21
3. Carton Label Information	21
<b>G. Precautions</b>	<b>22</b>

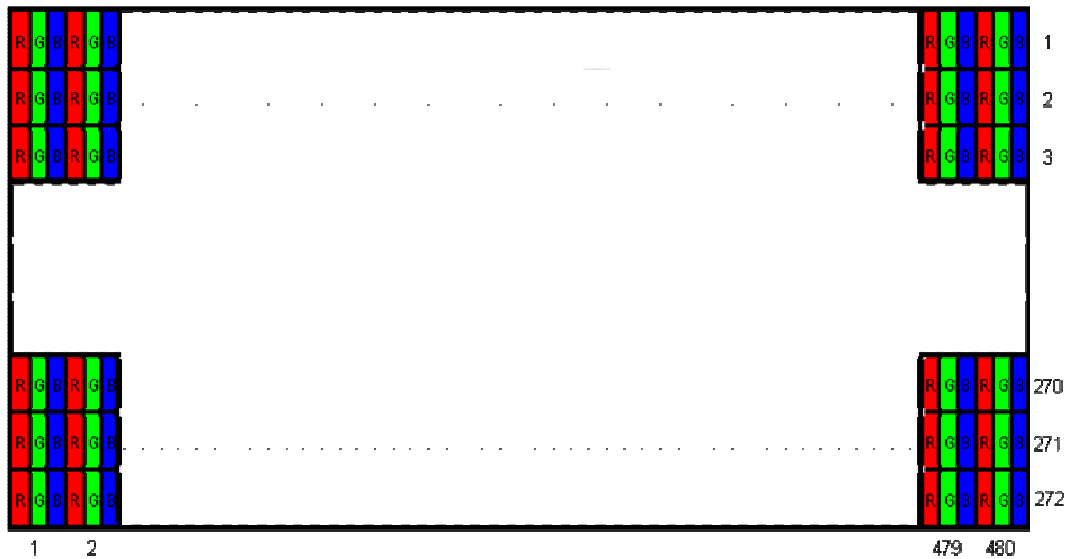
## A. General Information

This product is for PND application.

NO.	Item	Unit	Specification	Remark
1	Screen Size	inch	4.7(Diagonal)	
2	Display Resolution	dot	480RGB(H)×272(V)	
3	Overall Dimension	mm	114.24(H) × 72.88(V) × 3.15 (T)	Note 1
4	Active Area	mm	103.68(H)×58.752(V)	
5	Pixel Pitch	mm	0.216(H)×0.216(V)	
6	Color Configuration	--	R. G. B. Stripe	Note 2
7	Color Depth	--	16.7M Colors	
8	NTSC Ratio	%	50	
9	Display Mode	--	Normally White	
10	Touch panel surface treatment	--	Hard coating (AG Haze 8%) 3H	
11	Weight	g	54	
12	Viewing direction		6 o'clock (gray inversion)	

Note 1: Not include backlight cable and FPC. Refer next page to get further information.

Note 2: Below figure shows dot stripe arrangement.

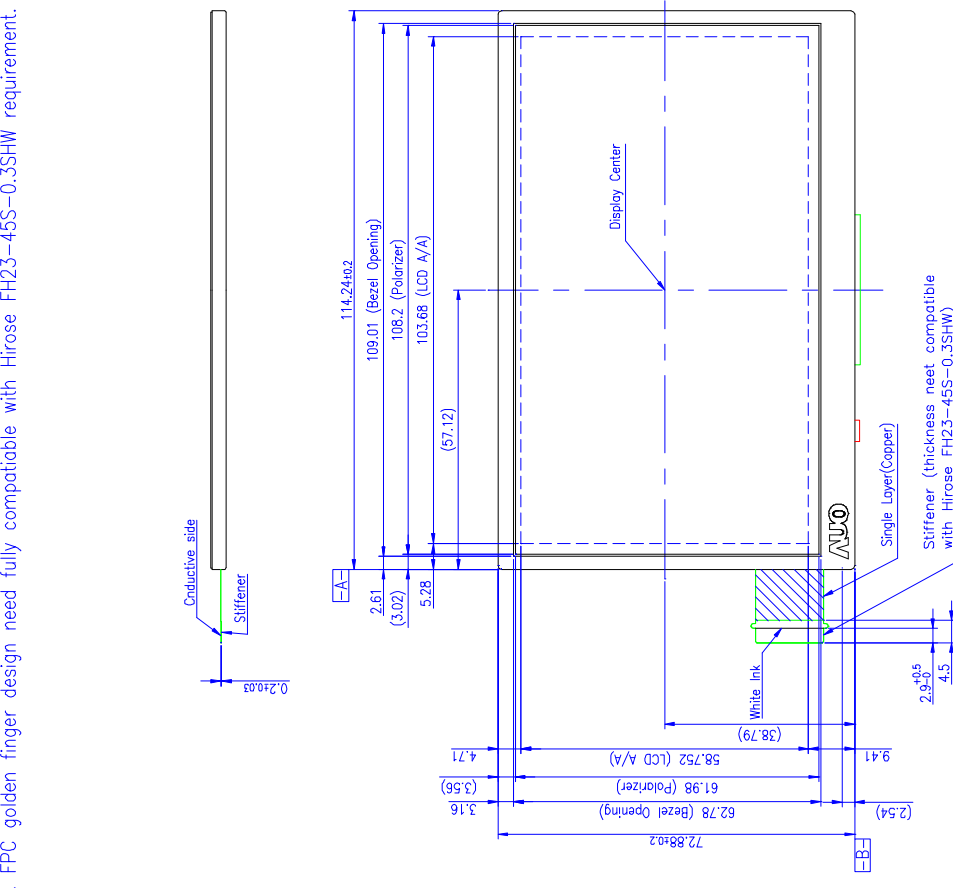
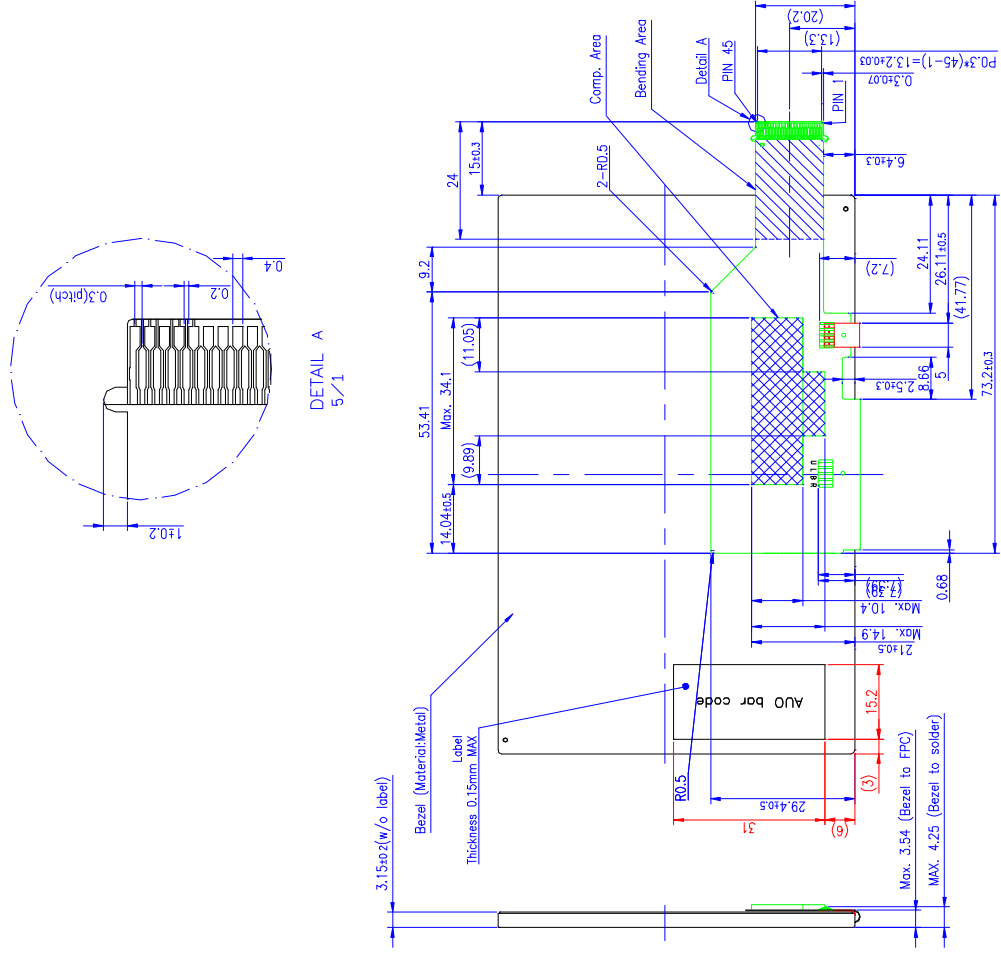


Note 3: Please refer to Electrical Characteristics chapter.

### B. Outline Dimension

NOTES:

1. General tolerance  $\pm 0.3\text{mm}$
2. The bending radius of FPC should be larger than 0.6mm
3. \*\*\* The thickness of solder area .
4. FPC golden finger design need fully compatible with Hirose FH23-45S-0.3SHW requirement.



## C. Electrical Specifications

### 1. TFT LCD Panel Pin Assignment

Recommended connector : FH23-45S-0.3SHW

Pin no	Symbol	I/O	Description	Remark
1	GND	G	GND	
2	GND	G	GND	
3	VDD	PI	Power supply : 2.5V or 3.3V	
4	VDD	PI	Power supply : 2.5V or 3.3V	
5	R0	I	Red Data Signal (LSB)	
6	R1	I	Red Data Signal	
7	R2	I	Red Data Signal	
8	R3	I	Red Data Signal	
9	R4	I	Red Data Signal	
10	R5	I	Red Data Signal	
11	R6	I	Red Data Signal	
12	R7	I	Red Data Signal (MSB)	
13	G0	I	Green Data Signal ( LSB )	
14	G1	I	Green Data Signal	
15	G2	I	Green Data Signal	
16	G3	I	Green Data Signal	
17	G4	I	Green Data Signal	
18	G5	I	Green Data Signal	
19	G6	I	Green Data Signal	
20	G7	I	Green Data Signal (MSB)	
21	B0	I	Blue Data Signal ( LSB )	
22	B1	I	Blue Data Signal	
23	B2	I	Blue Data Signal	
24	B3	I	Blue Data Signal	
25	B4	I	Blue Data Signal	
26	B5	I	Blue Data Signal	
27	B6	I	Blue Data Signal	
28	B7	I	Blue Data Signal ( MSB)	
29	GND	G	GND	
30	DCLK	I	Pixel clock	
31	DISP	I	Display on/off signal	
32	HSYNC	I	Horizontal synchronizing signal	
33	VSYNC	I	Vertical synchronizing signal	
34	DE	I	Data enable	

35	PWR_SEL	G	VDD Power select; Low : 2.5V, High : 3.3V	
36	GND	G	GND	
37	NC	-	Reserved for touch panel	
38	NC	-	Reserved for touch panel	
39	NC	-	Reserved for touch panel	
40	NC	-	Reserved for touch panel	
41	GND	G	GND	
42	VLED1-	PI	LED1 backlight cathode	
43	VLED1+	PI	LED1 backlight anode	
44	VLED2-	PI	LED2 backlight cathode	
45	VLED2+	PI	LED2 backlight anode	

I: Input pin; P: Power pin; G: Ground pin; C: capacitor pin



## 2. Absolute Maximum Ratings

Items	Symbol	Values		Unit	Condition
		Min.	Max.		
Power Supply Voltage	VDD	-0.3	4.5	V	
Interface Supply Voltage	VDDIO	-0.3	4.5	V	
LED Reverse Voltage	$V_r$	3.2	3.5	V	One LED
LED Forward Current	$I_f$	--	25	mA	One LED
Operation Temperature	$T_{op}$	-20	70	°C	
Storage Temperature	$T_{st}$	-40	80	°C	

Note 1. If the operating condition exceeds the absolute maximum ratings, the TFT-LCD module may be damaged permanently. Also, if the module operated with the absolute maximum ratings for a long time, its reliability may drop

### 3. Electrical DC Characteristics

#### a. Typical Operation Condition (AGND =GND = 0V)

Item		Symbol	Min.	Typ.	Max.	Unit	Remark
Power Voltage		VDDIO	1.65	1.8	VDD	V	Digital Power Supply
		VDD	3.0	3.3	3.6	V	Analog Power Supply
Input Signal Voltage	H Level	VIH	0.7xVDDIO	--	VDDIO	V	
	L Level	VIL	GND	--	0.3xVDDIO	V	

#### b. Current Consumption (AGND=GND=0V)

Parameter	Symbol	Condition	Min.	Typ.	Max.	Unit	Remark
Input Current for VDD	$I_{VDD}$	VDD=3.3V	-	11	12	mA	Note 1, 2
	$I_{VDD}$ (STANDBY)	VDD=3.3V	-	10	11	uA	Note 3
Input Current for VDDIO	$I_{VDDIO}$	VDDIO=3.3V	-	44	45	uA	Note 1, 2
	$I_{VDDIO}$ (STANDBY)	VDDIO=3.3V	-	41	42	uA	Note 3

Note 1: Test Condition is under typical Electrical DC and AC characteristics.

Note 2: Test pattern is the following picture.



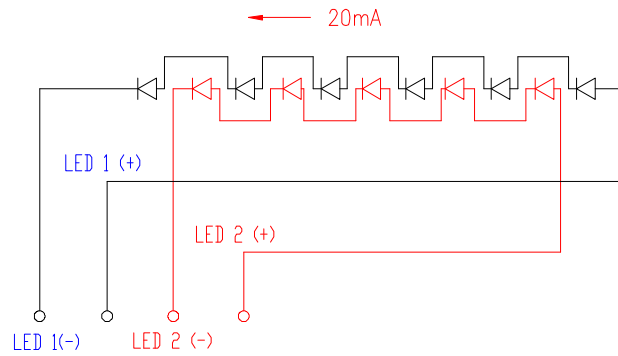
Note 3: In standby mode, all digital signals are stopped. Ex. DCLK, HSYNC ..etc.

#### c. Backlight Driving Conditions

The backlight (LED module, Note 1) is suggested to drive by constant current with typical value.

Parameter	Symbol	Min.	Typ.	Max.	Unit	Remark
LED Current	$I_L$		20	22	mA	Note 1
Power Consumption	$P_L$		704	847	mW	
LED Life Time	$L_L$	10,000	---	---	Hr	Note 2, 3

Note 1: LED backlight is two parallel strings and one LED for each string is as below figure. Suggest to drive by 20mA for each LED string.



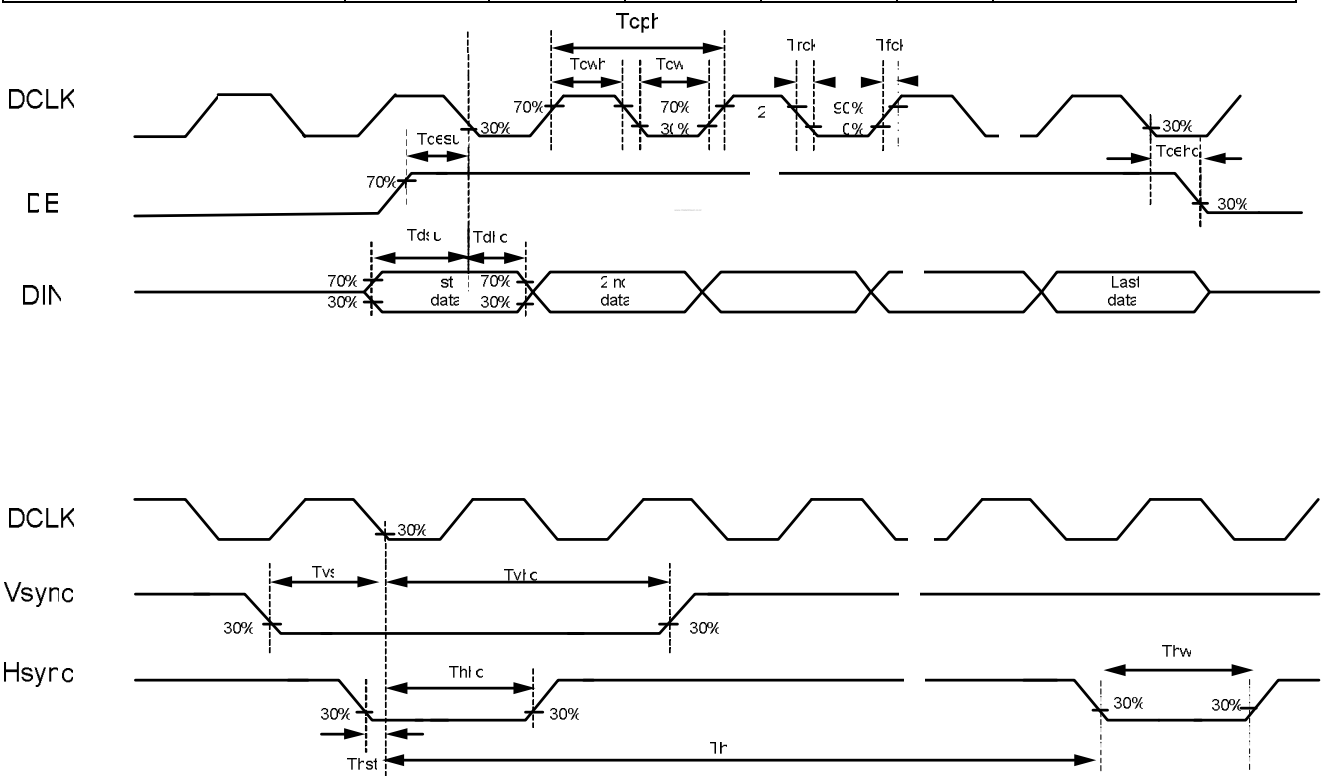
Note 2: Define "LED Lifetime": brightness is decreased to 50% of the initial value. LED Lifetime is restricted under normal condition, ambient temperature = 25°C and LED lightbar current = 35mA.

Note 3: If it uses larger LED lightbar voltage/ current more than 25mA, it maybe decreases the LED lifetime.

## 4. Electrical AC Characteristics

### a. Signal AC Characteristics

Parameter	Symbol	Min.	Typ.	Max.	Unit	Remark
DCLK duty cycle	--	40	50	60	%	$t_{cw} / t_{DCLK} \times 100\%$
CLK pulse duty	$T_{cwh}$	40	--	--	ns	
CLK pulse duty	$T_{cwl}$	40	--	--	ns	
Data Setup Time	$T_{dsu}$	12	--	--	ns	
Data Hold Time	$T_{dhd}$	12	--	--	ns	
DE Setup Time	$T_{desu}$	12	--	--	ns	
DE Hold Time	$T_{dehd}$	12	--	--	ns	
Vsync Setup Time	$T_{vst}$	12	--	--	ns	
Vsync Hold Time	$T_{vhhd}$	12	--	--	ns	
Hsync Setup Time	$T_{hst}$	12	--	--	ns	
Hsync Hold Time	$T_{hhhd}$	12	--	--	ns	



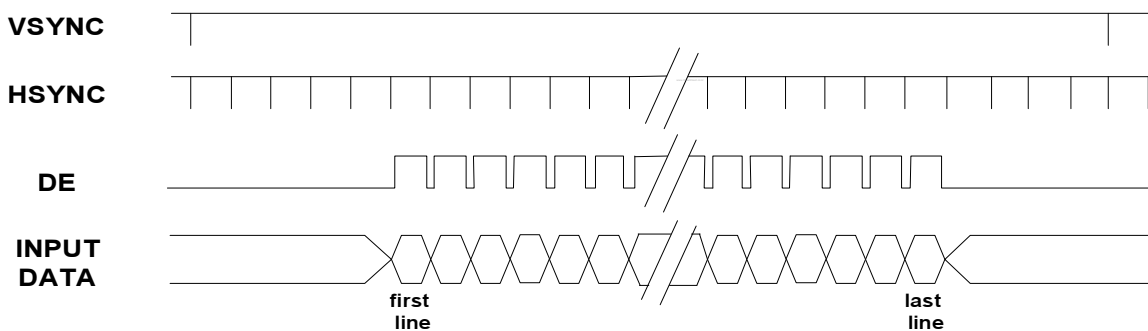
**b. Input Timing**

Parameter		Symbol	Min.	Typ.	Max.	Unit.	Remark
DCLK	Frequency	1/Tdclk	5	9.2	12	MHz	
Frame Frequency	Cycle	tv		16.7		ms	
1 Frame Scanning Time	Cycle	tv	275	288	335	H	
	Display Period	tvdisp	272			H	
	Front porch	Tvfp	1	4	--	H	
	Pulse width	Tww	1	10	--	H	
	Back porch	Tvbp	2	12	--	H	
1 Line Scanning Time	Cycle	Th	490	531	605	DCLK	
	Display Period	Thdisp	480			DCLK	
	Front porch	Thfp	2	8	--	DCLK	
	Pulse width	Thw	1	1	--	DCLK	
	Back porch	thbp	8	43	--	DCLK	

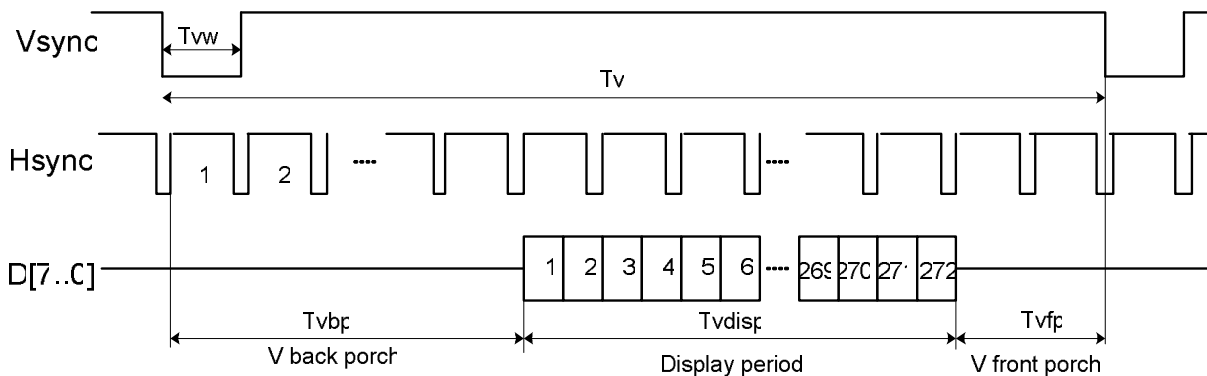
**Note 1: Sync mode just can be used on the typical timing setting.**

**c. Timing Diagram**

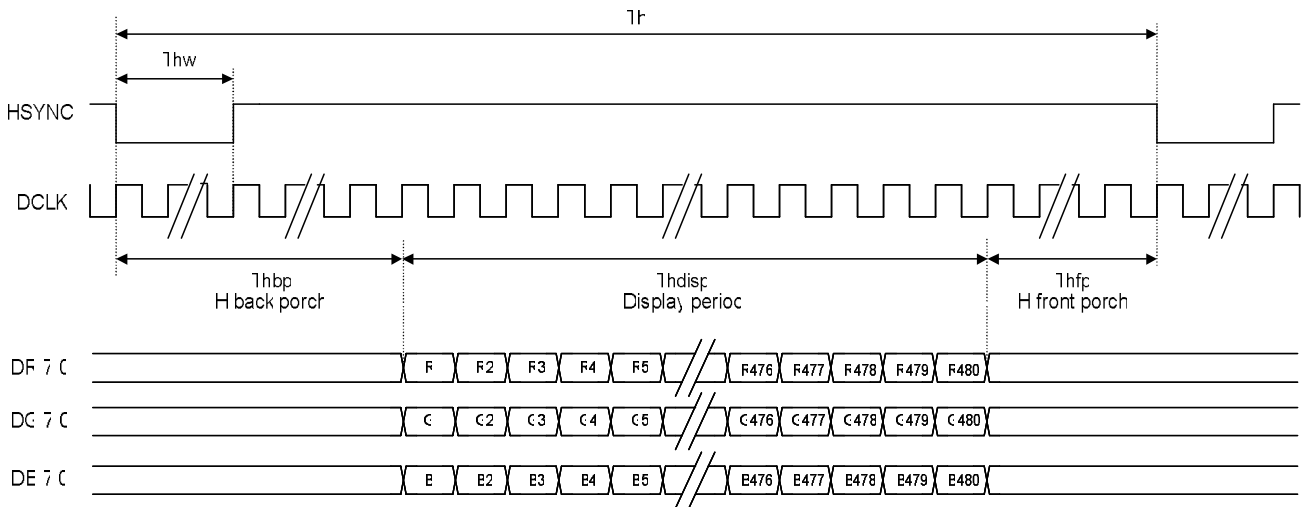
**Vertical Timing of Input(Sync-DE mode)**



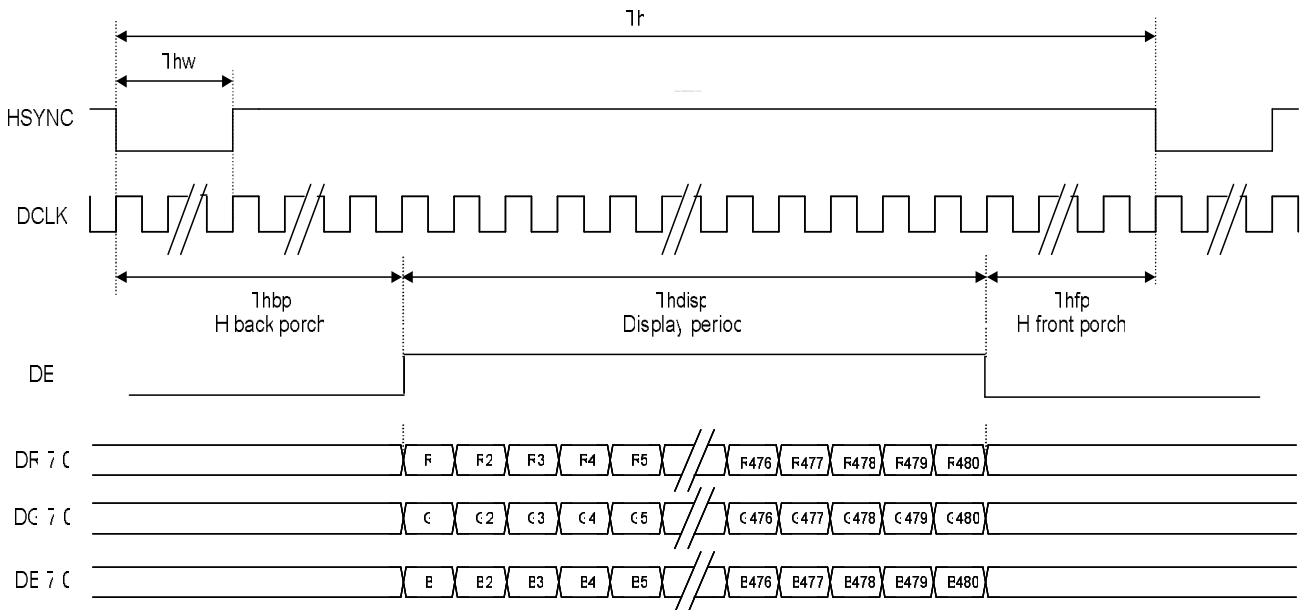
**Vertical Timing of Input(Sync mode)**



### Horizontal Timing of Input(Sync mode)

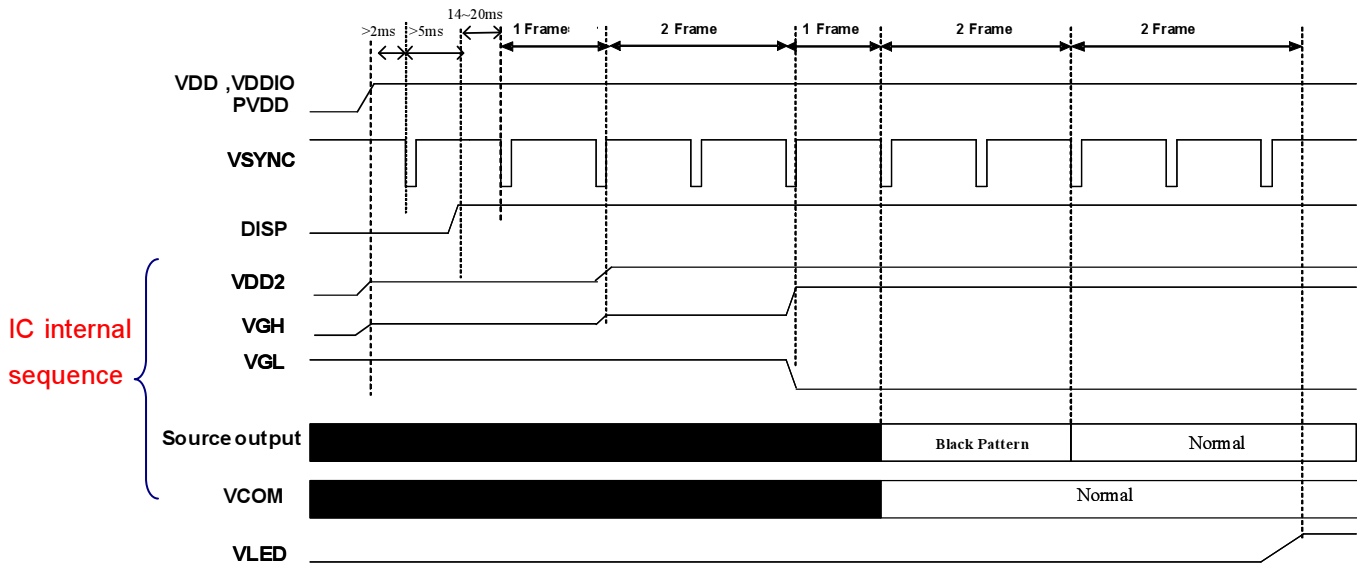


### Horizontal Timing of Input (Sync-DE mode)



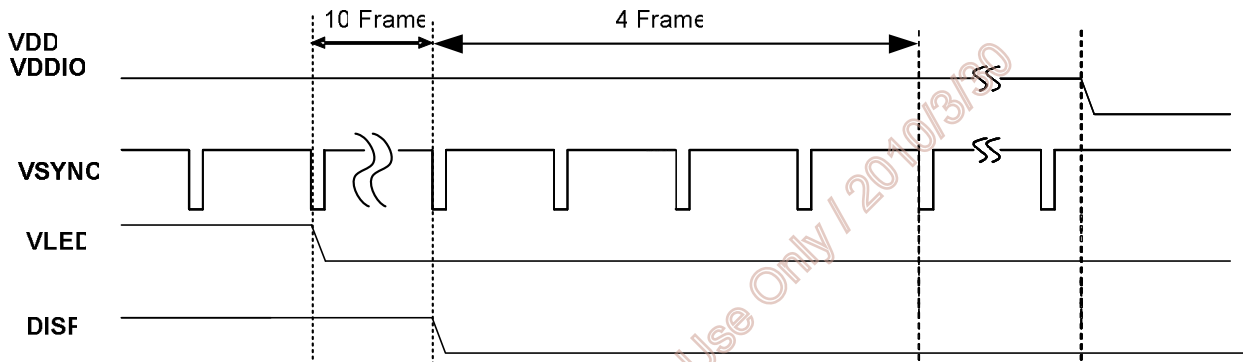
## 5. Power On/Off Characteristics

### a. Recommended Power On Sequence



Notes: The driver IC default is on standby mode. It can be changed to normal operation by using DISP hard pin.

### b. Recommended Power Off Sequence



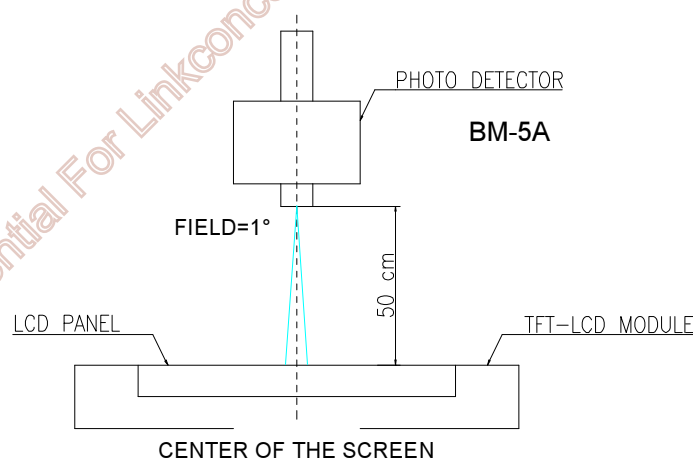
## D. Optical Specification

All optical specification is measured under typical condition (Note 1, 2)

Item	Symbol	Condition	Min.	Typ.	Max.	Unit	Remark
Response Time	Tr	$\theta=0^\circ$	--	15		ms	Note 3
Contrast ratio	CR	At optimized viewing angle	300	400	--		Note 4
Viewing Angle	Top	CR $\square$ 10		50	--	deg.	Note 5
	Bottom			55	--		
	Left			65	--		
	Right			65	--		
Brightness	$Y_L$	$\theta=0^\circ$	350	440	--	cd/m <sup>2</sup>	Note 6
Chromaticity	White	X	$\theta=0^\circ$	0.26	0.31	0.36	
		Y	$\theta=0^\circ$	0.28	0.33	0.38	
	Red	X	$\theta=0^\circ$	0.53	0.58	0.63	
		Y	$\theta=0^\circ$	0.29	0.34	0.39	
	Green	X	$\theta=0^\circ$	0.29	0.34	0.39	
		Y	$\theta=0^\circ$	0.53	0.58	0.63	
	Blue	X	$\theta=0^\circ$	0.1	0.15	0.2	
		Y	$\theta=0^\circ$	0.04	0.09	0.14	
Uniformity	$\Delta Y_L$	%	75	80	--	%	Note 7

Note 1: Ambient temperature =25°C, and LED lightbar voltage  $V_L = 12$  V. To be measured in the dark room.

Note 2: To be measured on the center area of panel with a viewing cone of 1° by Topcon luminance meter BM-5A, after 15 minutes operation.

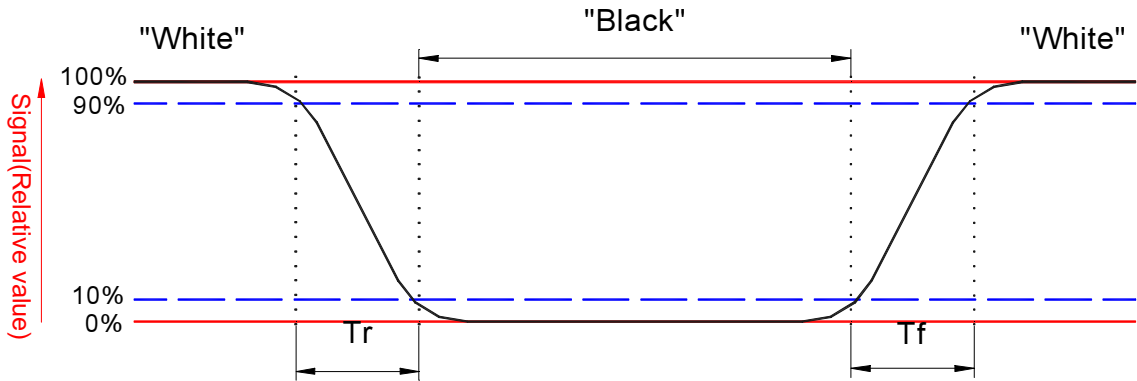


Note 3: Definition of response time:



The output signals of photo detector are measured when the input signals are changed from "black" to "white"(falling time) and from "white" to "black"(rising time), respectively.

The response time is defined as the time interval between the 10% and 90% of amplitudes. Refer to figure as below.

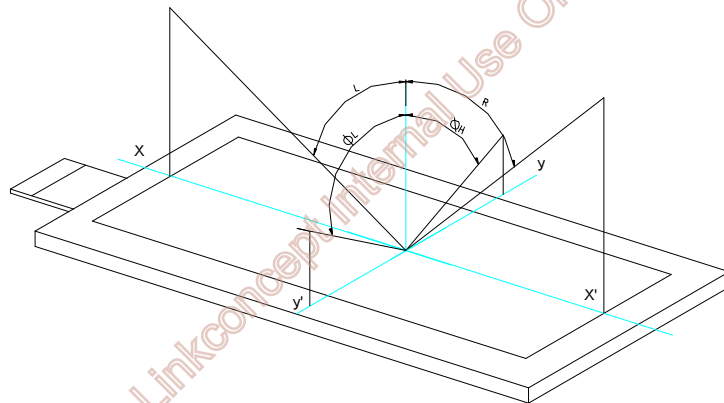


Note 4. Definition of contrast ratio:

Contrast ratio is calculated with the following formula.

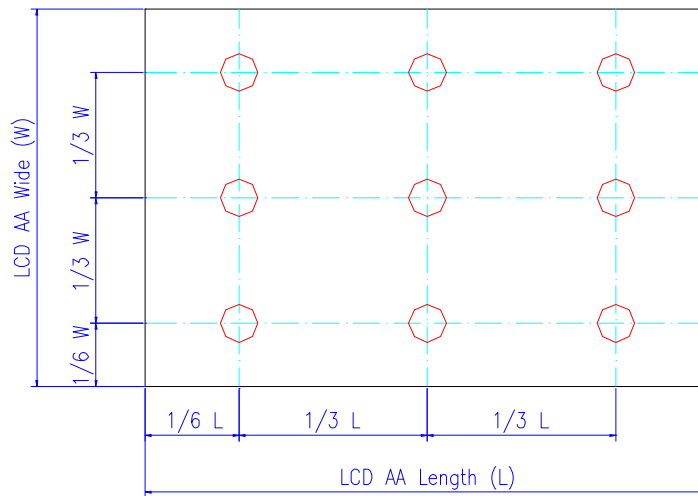
$$\text{Contrast ratio (CR)} = \frac{\text{Photo detector output when LCD is at "White" status}}{\text{Photo detector output when LCD is at "Black" status}}$$

Note 5. Definition of viewing angle,  $\theta$ , Refer to figure as below.



Note 6. Measured at the center area of the panel when all the input terminals of LCD panel are electrically opened.

Note 7: Luminance Uniformity of these 9 points is defined as below:



$$\text{Uniformity} = \frac{\text{minimum luminance in 9 points (1-9)}}{\text{maximum luminance in 9 points (1-9)}}$$

AUO Confidential For Linkconcept Internal Use Only / 2010/3/30

## E. Reliability Test Items

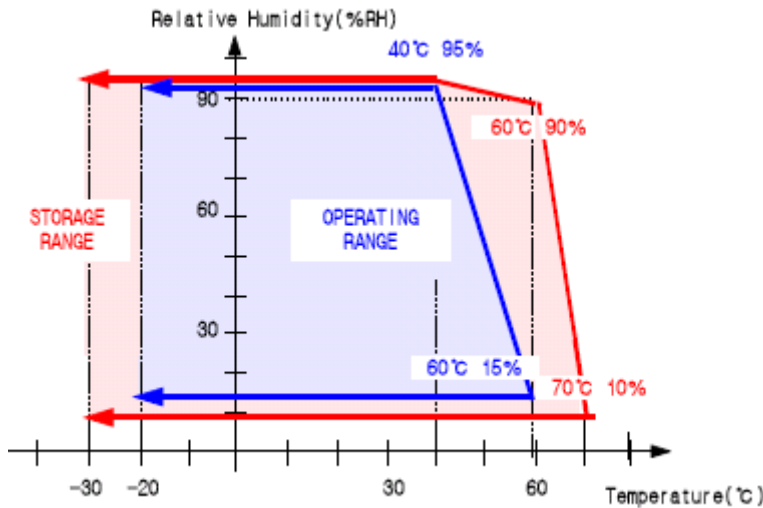
No.	Test items	Conditions	Remark
1	High Temperature Storage	Ta= 80□ 240Hrs	
2	Low Temperature Storage	Ta= -40□ 240Hrs	
3	High Ttemperature Operation	Tp= 70□ 240Hrs	
4	Low Temperature Operation	Ta= -20□ 240Hrs	
5	High Temperature & High Humidity	Tp= 60□. 90% RH 240Hrs	Operation
6	Heat Shock	-25□~70□, 50 cycle, 2Hrs/cycle	Non-operation
7	Electrostatic Discharge	Contact = ± 4 kV, class B Air = ± 8 kV, class B	Note 5
8	Vibration	Frequency range : 8~33.3Hz Stoke : 1.3mm Sweep : 2.9G ,33.3~400Hz 2 hours for each direction of X,Y,Z 4 hours for Y direction	Non-operation JIS C7021, A-10 condition A : 15 minutes
9	Mechanical Shock	100G . 6ms, ±X,±Y,±Z 3 times for each direction	Non-operation JIS C7021, A-7 condition C
10	Vibration (With Carton)	Random vibration: 0.015G <sup>2</sup> /Hz from 5~200Hz -6dB/Octave from 200~500Hz	IEC 68-34
11	Drop (With Carton)	Height: 60cm 1 corner, 3 edges, 6 surfaces	
12	Pressure	5kg, 5sec	Note 7

Note 1: Ta: Ambient Temperature. Tp: Panel Surface Temperature

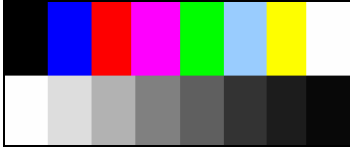
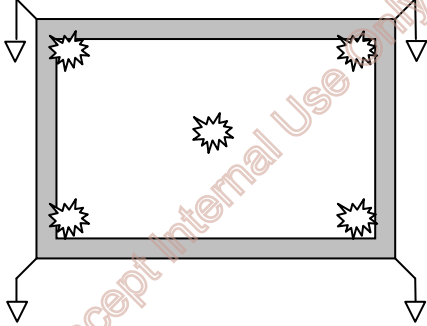
Note 2: In the standard conditions, there is not display function NG issue occurred. All the cosmetic specification is judged before the reliability stress.

Note 3: All the cosmetic specification is judged before the reliability stress.

Note 4: temperature and relative umidity range is shown in the figure below

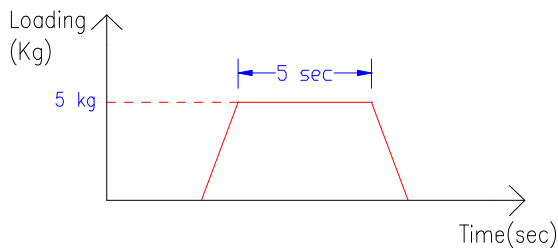
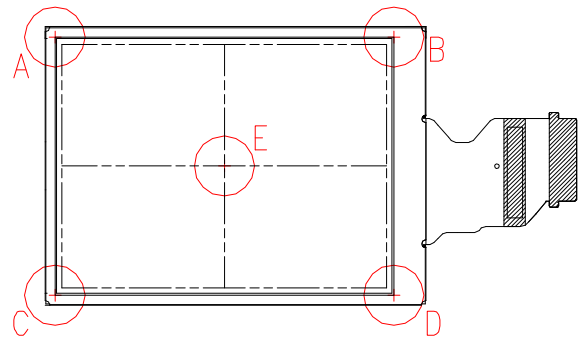
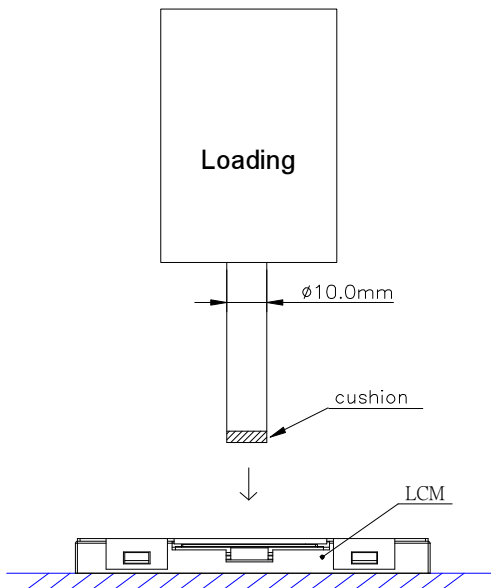


Note5 : All test techniques follow IEC6100-4-2 standard.

Test Condition		Note
Pattern		
Procedure And Set-up	<p>Contact Discharge : 330Ω, 150pF, 1sec, 5point, 10times/point            Air Discharge : 330Ω, 150pF, 1sec, 5 point, 10times/point</p> 	
Criteria	<p>A – Normal operation. No degradation. No failures            B – Some performance degradation allowed. No data lost. Self-recoverable. No hardware failures.            C – Temporary performance degradation. Recovery by operator is acceptable. No hardware failures.            D – Hardware failures.</p>	

Note 6:

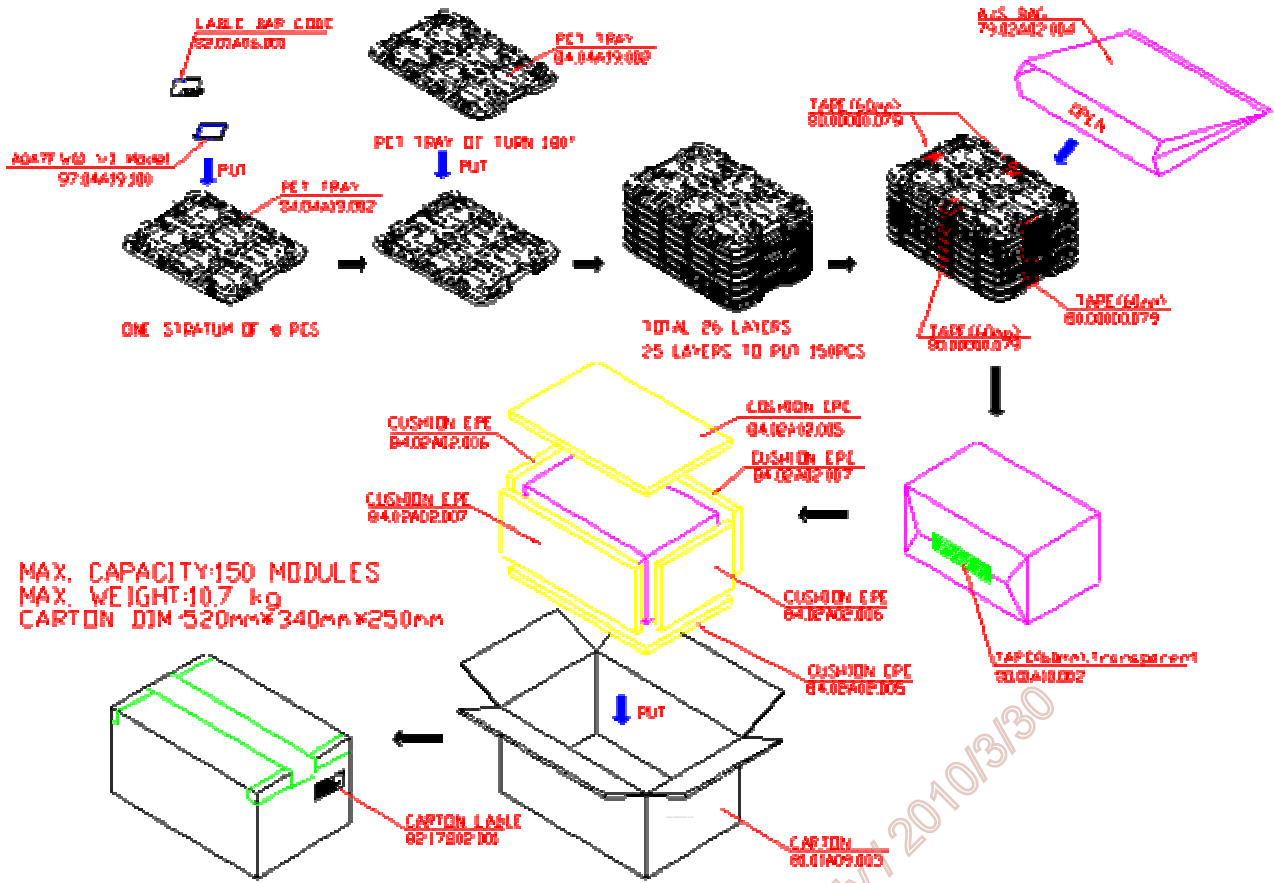
1. The metal casing is connected to ground (0V) at four corners.
2. All register commands are repeating transferred.
3. Judging the result after discharging.



AUO Confidential For Linkconcept Internal Use Only / 2010/3/30

## F. Packing and Marking

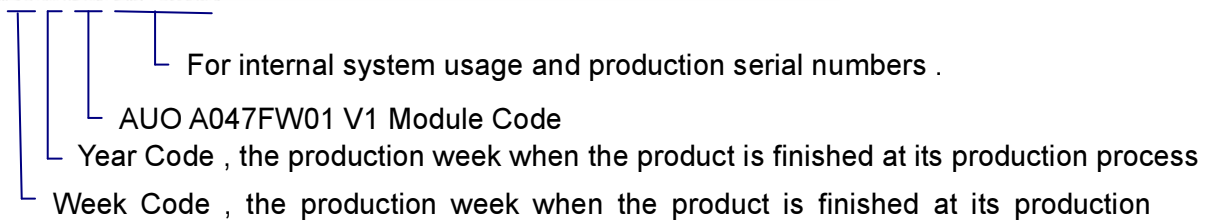
### 1. Packing Form



AUO Confidential For Linkconcept Internal Use Only | 2010/3/30

## 2. Module/Panel Label Information

The module/panel (collectively called as the "Product") will be attached with a label of Shipping Number which represents the identification of the Product at a specific location. Refer to the Product outline drawing for detailed location and size of the label. The label is composed of a 22-digit serial number with the following definition:



Example:

1690012AB:

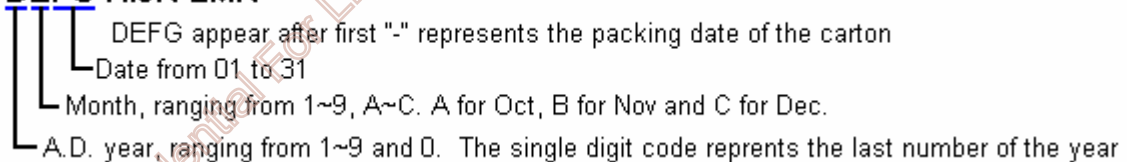
Product Manufacturing Week Code: WK16

Product Manufacturing Year Code: Year 2009

## 3. Carton Label Information

The packing carton will be attached with a carton label where packing Q'ty, AUO Model Name, AUO Part Number, Customer Part Number (Optional) and a series of Carton Number in 13 or 14 digits are printed. The Carton Number is appearing in the following format:

ABC-DEFG-HIJK-LMN



Refer to the drawing of packing format for the location and size of the carton label.

## G. Precautions

1. Do not twist or bend the module and prevent the unsuitable external force for display module during assembly.
2. Adopt measures for good heat radiation. Be sure to use the module with in the specified temperature.
3. Avoid dust or oil mist during assembly.
4. Follow the correct power sequence while operating. Do not apply the invalid signal, otherwise, it will cause improper shut down and damage the module.
5. Less EMI: it will be more safety and less noise.
6. Please operate module in suitable temperature. The response time & brightness will drift by different temperature.
7. Avoid to display the fixed pattern (exclude the white pattern) in a long period, otherwise, it will cause image sticking.
8. Be sure to turn off the power when connecting or disconnecting the circuit.
9. Polarizer scratches easily, please handle it carefully.
10. Display surface never likes dirt or stains.
11. A dewdrop may lead to destruction. Please wipe off any moisture before using module.
12. Sudden temperature changes cause condensation, and it will cause polarizer damaged.
13. High temperature and humidity may degrade performance. Please do not expose the module to the direct sunlight and so on.
14. Acetic acid or chlorine compounds are not friends with TFT display module.
15. Static electricity will damage the module, please do not touch the module without any grounded device.
16. Do not disassemble and reassemble the module by self.
17. Be careful do not touch the rear side directly.
18. No strong vibration or shock. It will cause module broken.
19. Storage the modules in suitable environment with regular packing.
20. Be careful of injury from a broken display module.
21. Please avoid the pressure adding to the surface (front or rear side) of modules, because it will cause the display non-uniformity or other function issue.

AUO Confidential For Link Concept Internal Use Only / 2010/5/30