



## DESCRIPTION

The A24C08 provides 8192 bits of serial electrically erasable and programmable read-only memory (EEPROM), organized as 1024 words of 8 bits each.

The device is optimized for use in many industrial and commercial applications where low-power and low-voltage operation are essential.

The A24C08 is available in SOP8, TSSOP8, DFN8, DIP8 and TSOT-25 packages.

## ORDERING INFORMATION

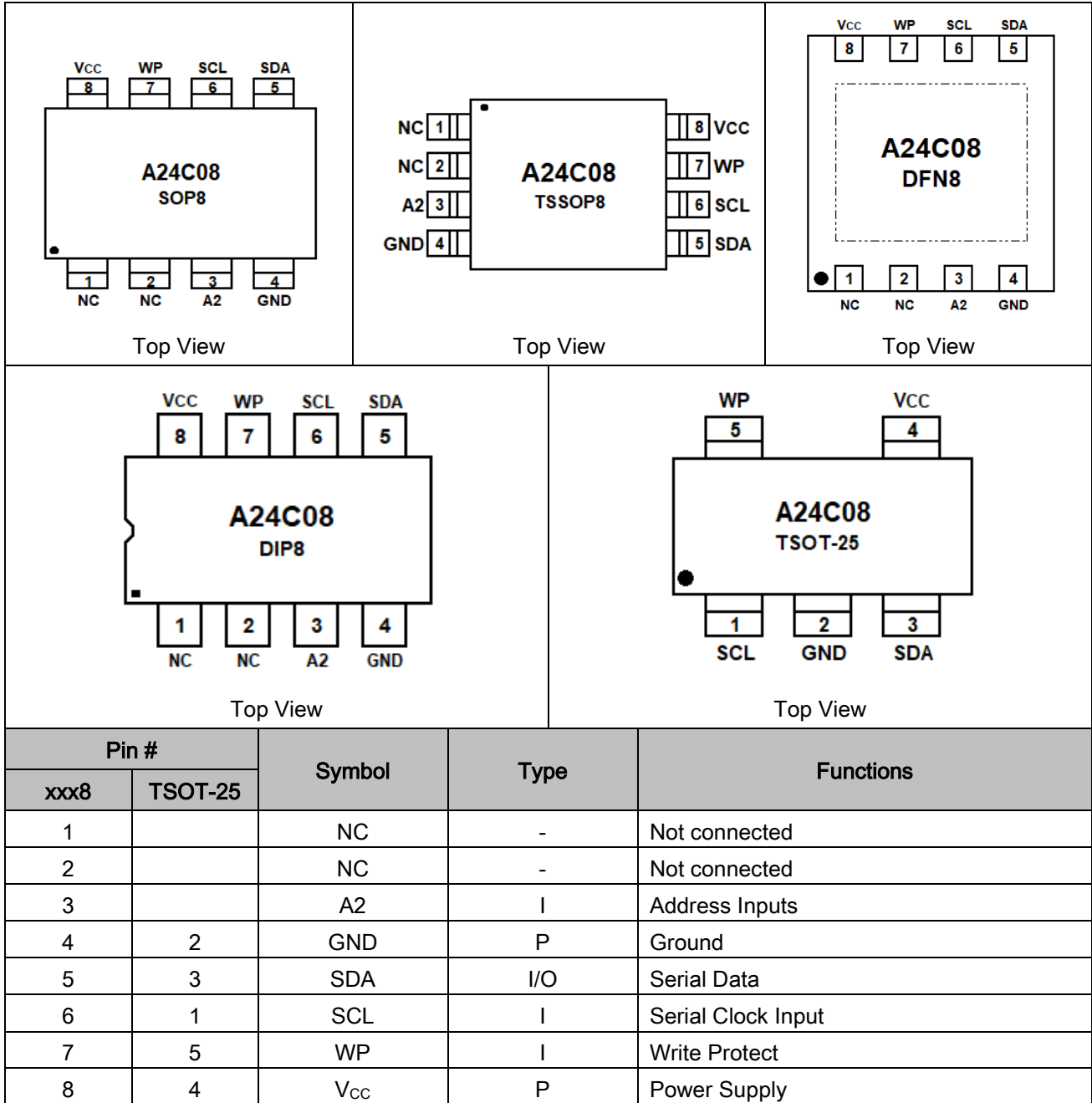
Package Type	Part Number	
SOP8 SPQ: 2,500pcs/Reel	M8	A24C08M8R
		A24C08M8VR
TSSOP8 SPQ: 3,000pcs/Reel	TMX8	A24C08TMX8R
		A24C08TMX8VR
DFN8 SPQ: 3,000pcs/Reel	J8	A24C08J8R
		A24C08J8VR
DIP8 SPQ: 100pcs/Tube	P8	A24C08P8U
		A24C08P8VU
TSOT-25 SPQ: 3,000pcs/Reel	TE5	A24C08TE5R
		A24C08TE5VR
Note	V: Halogen free Package R: Tape & Reel U: Tube	
AiT provides all RoHS products		

## FEATURES

- Compatible with all I<sup>2</sup>C bidirectional data transfer protocol
- Memory array:  
8k bits (1024 X 8) of EEPROM  
Page size: 16 bytes
- Single supply voltage and high speed:  
1 MHz  
Random and sequential Read modes
- Write:  
Byte Write within 3 ms  
Page Write within 3 ms  
Partial Page Writes Allowed
- Write Protect Pin for Hardware Data Protection
- Schmitt Trigger, Filtered Inputs for Noise Suppression
- High-reliability  
Endurance: 1 Million Write Cycles  
Data Retention: 100 Years
- Enhanced ESD/Latch-up protection  
HBM 5000V
- Available in SOP8, TSSOP8, DFN8, DIP8 and TSOT-25 Packages



**PIN DESCRIPTION**





## ABSOLUTE MAXIMUM RATINGS

DC Supply Voltage	-0.3V ~ +6.5V
Input / Output Voltage	GND-0.3V ~ V <sub>CC</sub> +0.3V
Operating Ambient Temperature	-40°C ~ +85°C
Storage Temperature	-65°C ~ +150°C
Electrostatic Pulse (Human Body Model)	5000V

Stress beyond above listed "Absolute Maximum Ratings" may lead permanent damage to the device. These are stress ratings only and operations of the device at these or any other conditions beyond those indicated in the operational sections of the specifications are not implied. Exposure to absolute maximum rating conditions for extended periods may affect device reliability.

## PIN CAPACITANCE

Applicable over recommended operating range from: T<sub>A</sub> = 25°C, f = 1.0MHz, V<sub>CC</sub> = +1.7V

Parameter	Symbol	Condition	Min.	Typ.	Max.	Unit
Input / Output Capacitance (SDA)	C <sub>I/O</sub>	V <sub>I/O</sub> =0V	-	-	8	pF
Input Capacitance (SCL)	C <sub>IN</sub>	V <sub>IN</sub> =0V	-	-	6	pF



## DC ELECTRICAL CHARACTERISTICS

Applicable over recommended operating range from:  $T_A = -40^{\circ}\text{C}$  to  $+85^{\circ}\text{C}$ ,  $V_{CC} = +1.7\text{V}$  to  $+5.5\text{V}$ , unless otherwise noted

Parameter	Symbol	Condition	Min.	Typ.	Max.	Unit
Supply Voltage	$V_{CC1}$		1.7	-	5.5	V
Supply Current $V_{CC} = 5.0\text{V}$	$I_{CC1}$	Read at 400kHz	-	0.26	0.5	mA
Supply Current $V_{CC} = 5.0\text{V}$	$I_{CC2}$	Write at 400kHz	-	0.28	0.5	mA
Supply Current $V_{CC} = 5.0\text{V}$	$I_{SB1}$	$V_{IN} = V_{CC}$ or $V_{SS}$	-	0.03	0.5	$\mu\text{A}$
Input Leakage Current	$I_{L1}$	$V_{IN} = V_{CC}$ or $V_{SS}$	-	0.10	1.0	$\mu\text{A}$
Output Leakage Current	$I_{LO}$	$V_{OUT} = V_{CC}$ or $V_{SS}$	-	0.05	1.0	$\mu\text{A}$
Input Low Level	$V_{IL1}$	$V_{CC} = 1.7\text{V}$ to $5.5\text{V}$	-0.3	-	$V_{CC} \times 0.3$	V
Input High Level	$V_{IH1}$	$V_{CC} = 1.7\text{V}$ to $5.5\text{V}$	$V_{CC} \times 0.7$	-	$V_{CC} + 0.3$	V
Output Low Level $V_{CC} = 1.7\text{V}$	$V_{OL1}$	$I_{OL} = 2.1\text{mA}$	-	-	0.2	V
Output Low Level $V_{CC} = 5.0\text{V}$	$V_{OL2}$	$I_{OL} = 3.0\text{mA}$	-	-	0.4	V

## AC ELECTRICAL CHARACTERISTICS

Applicable over recommended operating range from:  $T_A = -40^{\circ}\text{C}$  to  $+85^{\circ}\text{C}$ ,  $V_{CC} = +1.7\text{V}$  to  $+5.5\text{V}$ ,  $C_L = 1$  TTL Gate and  $100\text{pF}$ , unless otherwise noted

Parameter	Symbol	$1.7\text{V} \leq V_{CC} < 2.5\text{V}$			$2.5\text{V} \leq V_{CC} < 5.5\text{V}$			Unit
		Min.	Typ.	Max.	Min.	Typ.	Max.	
Clock Frequency, SCL	$f_{SCL}$	-	-	400	-	-	1000	kHz
Clock Pulse Width Low	$t_{LOW}$	1.3	-	-	0.5	-	-	$\mu\text{s}$
Clock Pulse Width High	$t_{HIGH}$	0.6	-	-	0.26	-	-	$\mu\text{s}$
Noise Suppression Time	$t_i$	-	-	50	-	-	50	ns
Clock Low to Data Out Valid	$t_{AA}$	-	-	0.9	-	-	0.45	$\mu\text{s}$
Time the bus must be free before a new transmission can start	$t_{BUF}$	1.3	-	-	0.5	-	-	$\mu\text{s}$
Start Hold Time	$t_{HD,STA}$	0.6	-	-	0.25	-	-	$\mu\text{s}$
Start Setup Time	$t_{SU,STA}$	0.6	-	-	0.25	-	-	$\mu\text{s}$
Data In Hold Time	$t_{HD,DAT}$	0	-	-	0	-	-	$\mu\text{s}$
Data In Setup Time	$t_{SU,DAT}$	100	-	-	100	-	-	ns
Inputs Rise Time <sup>NOTE1</sup>	$t_R$	-	-	0.3	-	-	0.12	$\mu\text{s}$
Inputs Fall Time <sup>NOTE1</sup>	$t_F$	-	-	0.3	-	-	0.12	$\mu\text{s}$
Stop Setup Time	$t_{SU,STO}$	0.6	-	-	0.25	-	-	$\mu\text{s}$
Data Out Hold Time	$t_{DH}$	50	-	-	50	-	-	ns
Write Cycle Time	$t_{WR}$	-	1.9	3	-	1.9	3	ms
5.0V, 25°C, Byte Mode <sup>NOTE1</sup>	Endurance	1M	-	-	1M	-	-	Write Cycles

NOTE1: This parameter is characterized and is not 100% tested.

NOTE2: AC measurement conditions:  $R_L$ (connects to  $V_{CC}$ ):  $1.3\text{k}\Omega$

Input pulse voltages:  $0.3 V_{CC}$  to  $0.7 V_{CC}$

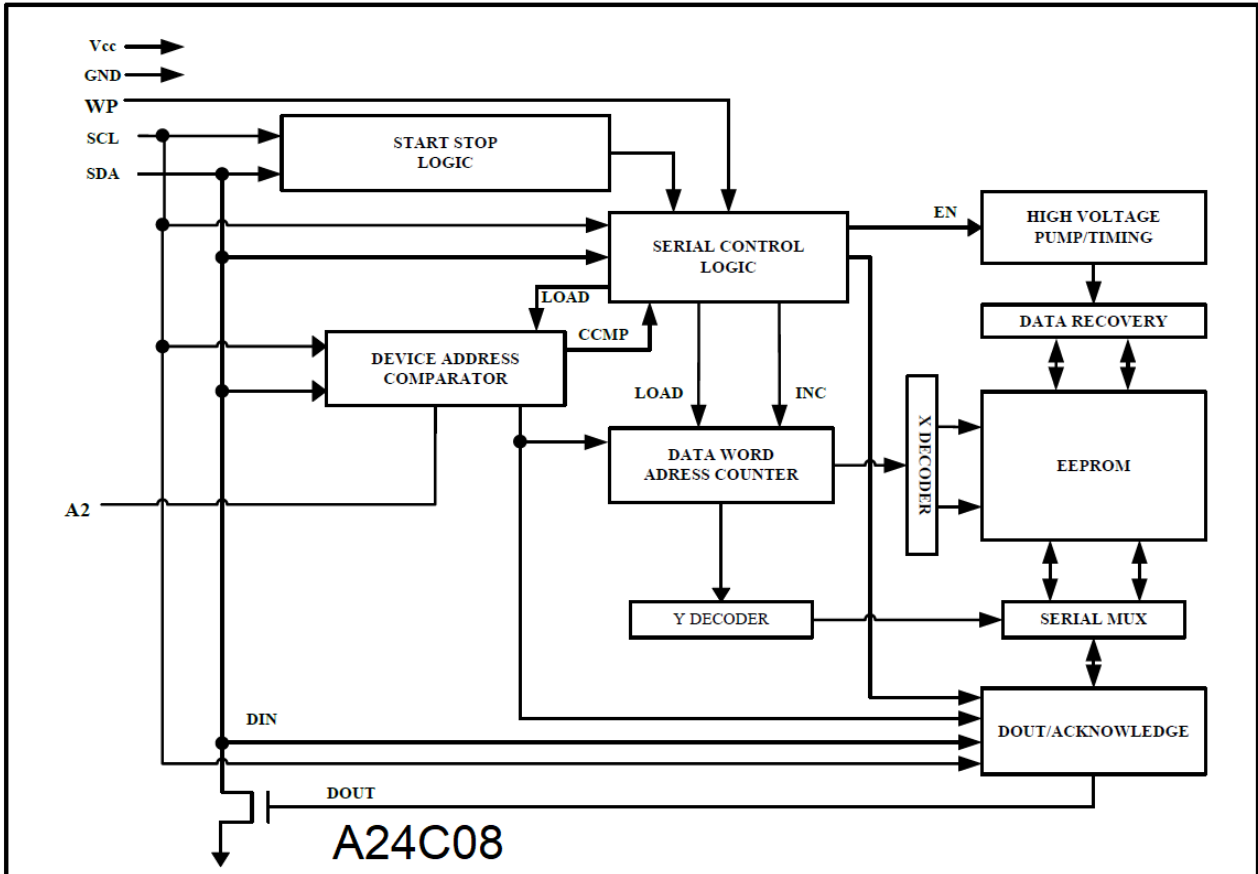
Input rise and fall time: 50ns

Input and output timing reference voltages:  $0.5 V_{CC}$

The value of  $R_L$  should be concerned according to the actual loading on the user's system.



**BLOCK DIAGRAM**





## DETAILED INFORMATION

**DEVICE/PAGE ADDRESSES (A2):** The A2 pin is device address input that is hard wire for the A24C08. Only two 8k devices may be addressed on a single bus system (device addressing is discussed in detail under the Device Addressing section).

**SERIAL DATA (SDA):** The SDA pin is bi-directional for serial data transfer. This pin is open-drain driven and may be wire-ORed with any number of other open-drain or open-collector devices.

**SERIAL CLOCK (SCL):** The SCL input is used to positive edge clock data into each EEPROM device and negative edge clock data out of each device.

**WRITE PROTECT (WP):** The A24C08 has a Write Protect pin that provides hardware data protection. The Write Protect pin allows normal read/write operations when connected to ground (GND). When the Write Protection pin is connected to  $V_{CC}$ , the write protection feature is enabled and operates as shown in the following Table 1.

Table1: Write Protect

WP Pin Status	A24C08
At $V_{CC}$	Full Array
At GND	Normal Read/Write Operations



## FUNCTIONAL DESCRIPTION

### 1. Memory Organization

**A24C08, 8k SERIAL EEPROM:** Internally organized with 64 pages of 16 bytes each, the 8k requires a 10-bit data word address for random word addressing.

### 2. Device Operation

**CLOCK and DATA TRANSITIONS:** The SDA pin is normally pulled high with an external device. Data on the SDA pin may change only during SCL low time periods (see Figure 1 on page 10). Data changes during SCL high periods will indicate a start or stop condition as defined below.

**START CONDITION:** A high-to-low transition of SDA with SCL high is a start condition which must precede any other command (see Figure 2 on page 10).

**STOP CONDITION:** A low-to-high transition of SDA with SCL high is a stop condition. After a read sequence, the stop command will place the EEPROM in a standby power mode (see Figure 2 on page 10).

**ACKNOWLEDGE:** All addresses and data words are serially transmitted to and from the EEPROM in 8-bit words. The EEPROM sends a "0" to acknowledge that it has received each word. This happens during the ninth clock cycle.

**STANDBY MODE:** The A24C08 features a low-power standby mode which is enabled: (a) upon power-up and (b) after the receipt of the STOP bit and the completion of any internal operations.

**MEMORY RESET:** After an interruption in protocol, power loss or system reset, any two-wire part can be reset by following these steps:

1. Clock up to 9 cycles.
2. Look for SDA high in each cycle while SCL is high.
3. Create a start condition.



### 3. Device Addressing

The 8k EEPROM devices all require an 8-bit device address word following a start condition to enable the chip for a read or write operation (see Figure 4 on page11)

The device address word consists of a mandatory "1", "0" sequence for the first four most significant bits as shown. This is common to all the Serial EEPROM devices.

The 8k EEPROM uses A2 device address bits to allow two devices on the same bus. This bit must be compared to their corresponding hardwired input pins. The A2 pin uses an internal proprietary circuit that biases them to a logic low condition if the pin is allowed to float.

The eighth bit of the device address is the read/write operation select bit. A read operation is initiated if this bit is high and a write operation is initiated if this bit is low.

Upon a compare of the device address, the EEPROM will output a "0". If a compare is not made, the chip will return to a standby state.

**DATA SECURITY:** The A24C08 has a hardware data protection scheme that allows the user to write protect the entire memory when the WP pin is at  $V_{CC}$ .

### 4. Write Operations

**BYTE WRITE:** A write operation requires an 8-bit data word address following the device address word and acknowledgment. Upon receipt of this address, the EEPROM will again respond with a "0" and then clock in the first 8-bit data word. Following receipt of the 8-bit data word, the EEPROM will output a "0" and the addressing device, such as a microcontroller, must terminate the write sequence with a stop condition. At this time the EEPROM enters an internally timed write cycle,  $t_{WR}$ , to the nonvolatile memory. All inputs are disabled during this write cycle and the EEPROM will not respond until the write is complete (see Figure 5 on page11).

**PAGE WRITE:** The 8k devices are capable of 16-byte page writes.

A page write is initiated the same as a byte write, but the microcontroller does not send a stop condition after the first data word is clocked in. Instead, after the EEPROM acknowledges receipt of the first data word, the microcontroller can transmit up to fifteen more data words. The EEPROM will respond with a "0" after each data word received. The microcontroller must terminate the page write sequence with a stop condition (see Figure 6 on page11).

The data word address lower four bits are internally incremented following the receipt of each data word. The higher data word address bits are not incremented, retaining the memory page row location. When the word address, internally generated, reaches the page boundary, the following byte is placed at the beginning of the same page. If more than sixteen data words are transmitted to the EEPROM, the data word address will "roll over" and previous data will be overwritten.





**ACKNOWLEDGE POLLING:** Once the internally timed write cycle has started and the EEPROM inputs are disabled, acknowledge polling can be initiated. This involves sending a start condition followed by the device address word. The read/write bit is representative of the operation desired. Only if the internal write cycle has completed will the EEPROM respond with a "0", allowing the read or write sequence to continue.

## 5. Read Operations

Read operations are initiated the same way as write operations with the exception that the read/write select bit in the device address word is set to "1". There are three read operations: current address read, random address read and sequential read.

**CURRENT ADDRESS READ:** The internal data word address counter maintains the last address accessed during the last read or write operation, incremented by one. This address stays valid between operations as long as the chip power is maintained. The address "roll over" during read is from the last byte of the last memory page to the first byte of the first page. The address "roll over" during write is from the last byte of the current page to the first byte of the same page. Once the device address with the read/write select bit set to "1" is clocked in and acknowledged by the EEPROM, the current address data word is serially clocked out. The microcontroller does not respond with an input "0" but does generate a following stop condition (see Figure 7 on page12).

**RANDOM READ:** A random read requires a "dummy" byte write sequence to load in the data word address. Once the device address word and data word address are clocked in and acknowledged by the EEPROM, the microcontroller must generate another start condition. The microcontroller now initiates a current address read by sending a device address with the read/write select bit high. The EEPROM acknowledges the device address and serially clocks out the data word. The microcontroller does not respond with a "0" but does generate a following stop condition (see Figure 8 on page12).

**SEQUENTIAL READ:** Sequential reads are initiated by either a current address read or a random address read. After the microcontroller receives a data word, it responds with an acknowledge. As long as the EEPROM receives an acknowledge, it will continue to increment the data word address and serially clock out sequential data words. When the memory address limit is reached, the data word address will "roll over" and the sequential read will continue. The sequential read operation is terminated when the microcontroller does not respond with a "0" but does generate a following stop condition (see Figure 9 on page12).



Figure 1 Data Validity

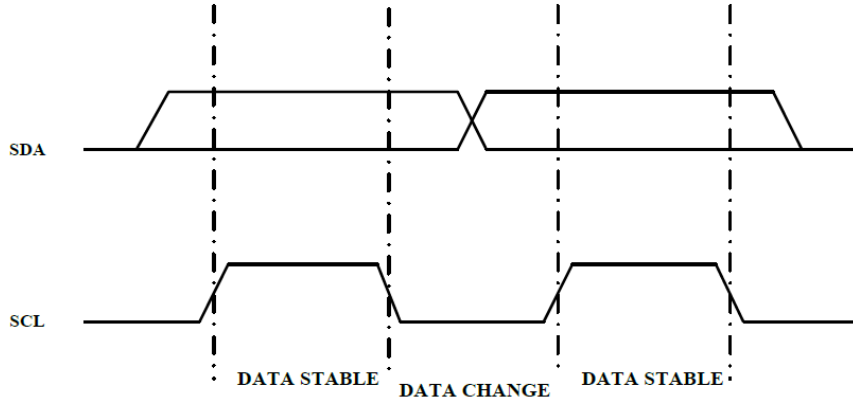


Figure 2 Start and Stop Definition

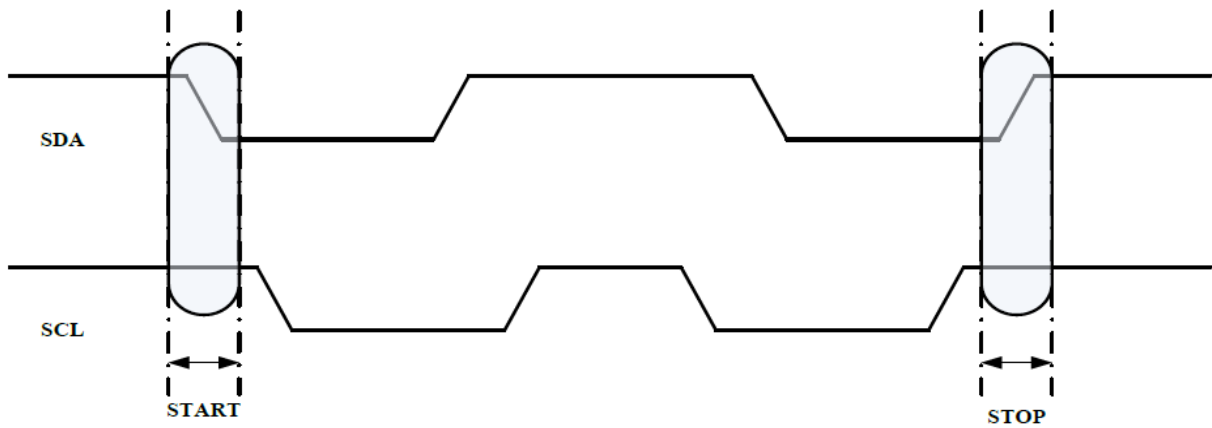


Figure 3 Output Acknowledge

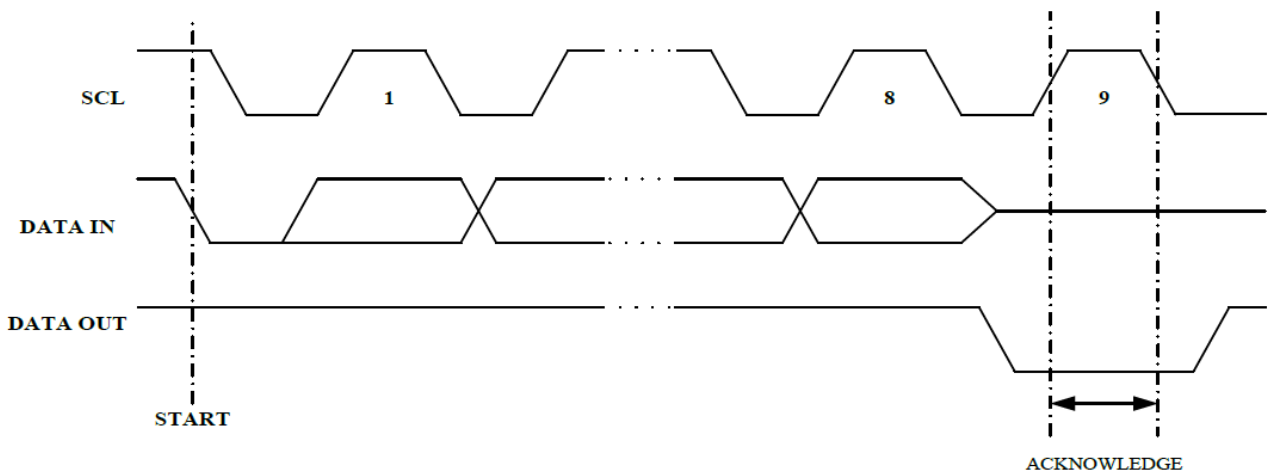




Figure 4 Device Address

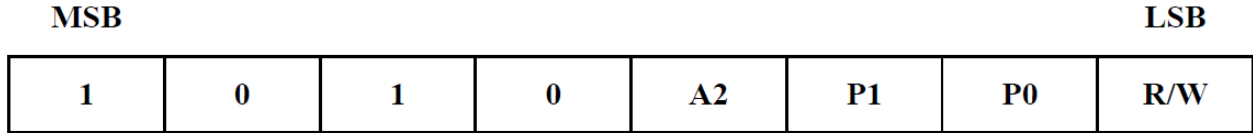


Figure 5 Byte Write

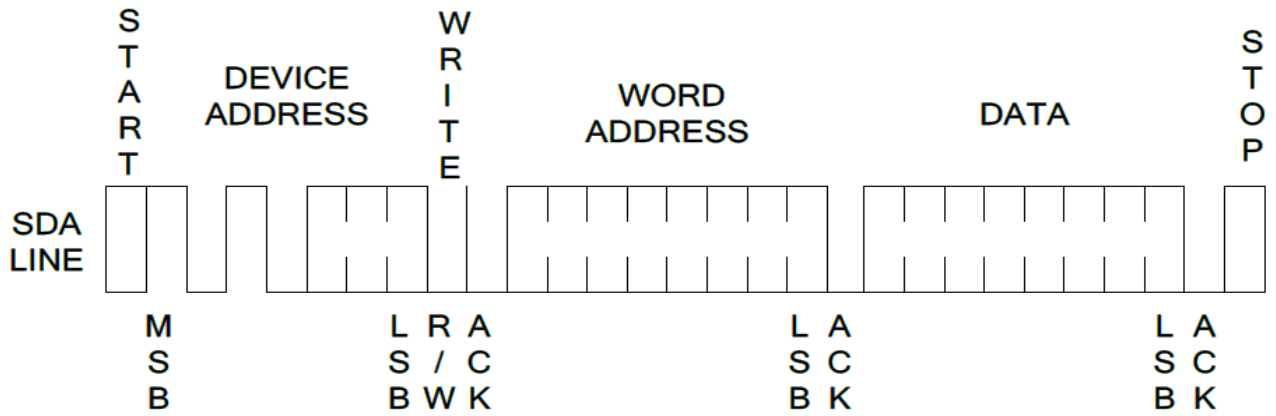


Figure 6 Page Write

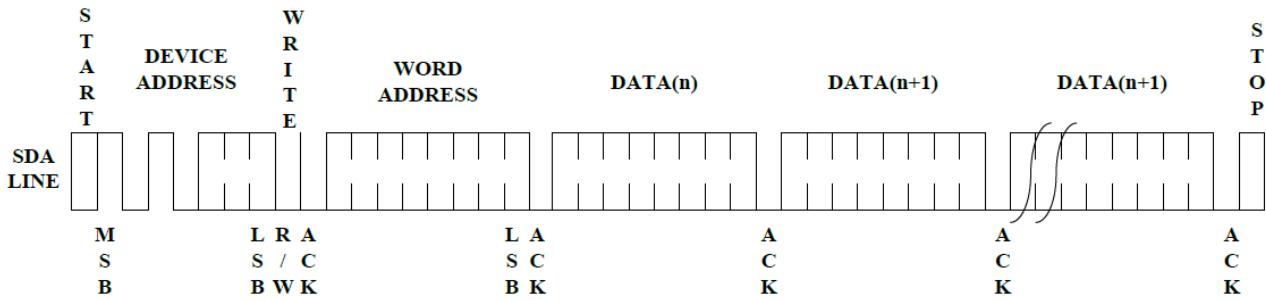




Figure 7 Current Address Read

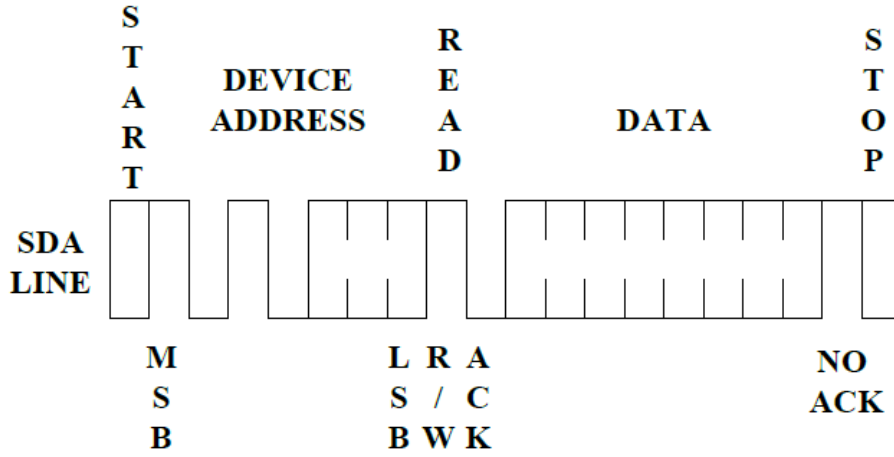


Figure 8 Random Read

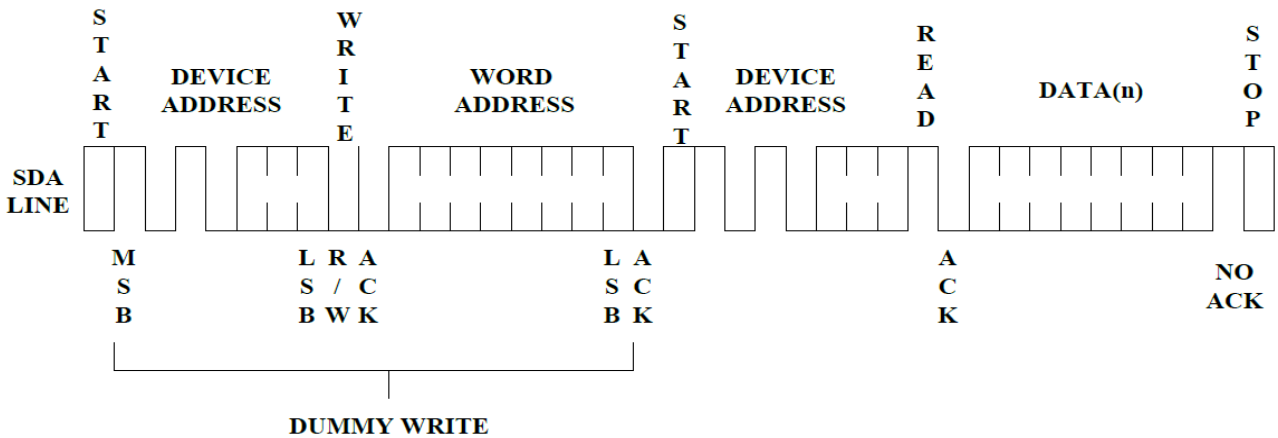
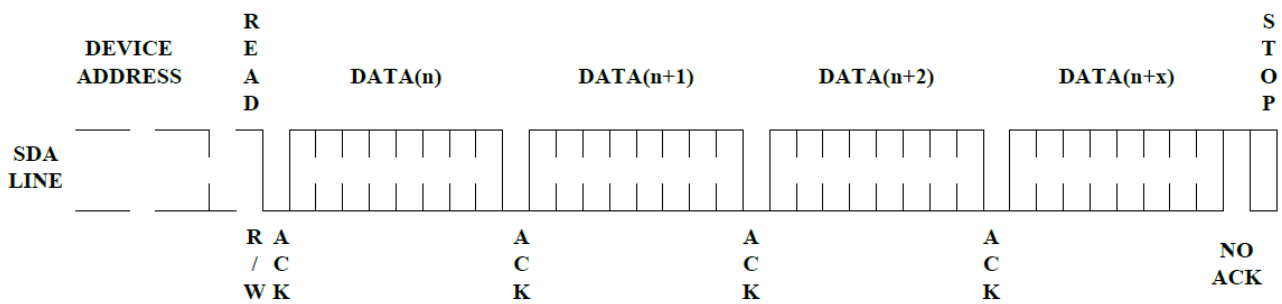


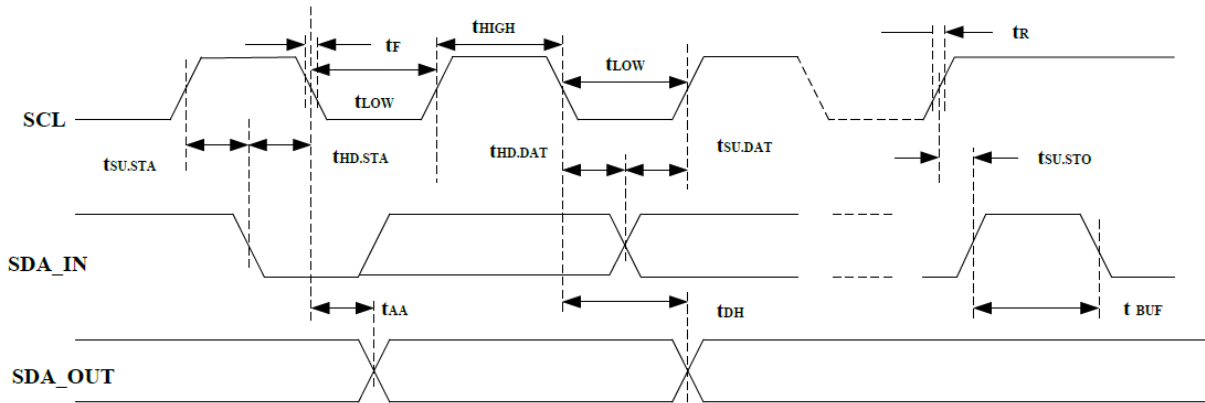
Figure 9 Sequential Read





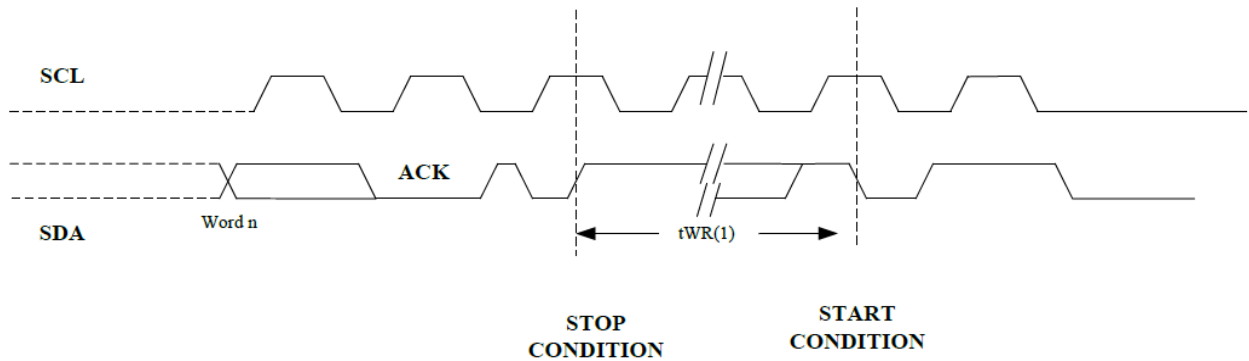
### BUS TIMING

Figure 10 SCL: Serial Clock, SDA: Serial Data I/O



### WRITE CYCLE TIMING

Figure 11 SCL: Serial Clock, SDA: Serial Data I/O

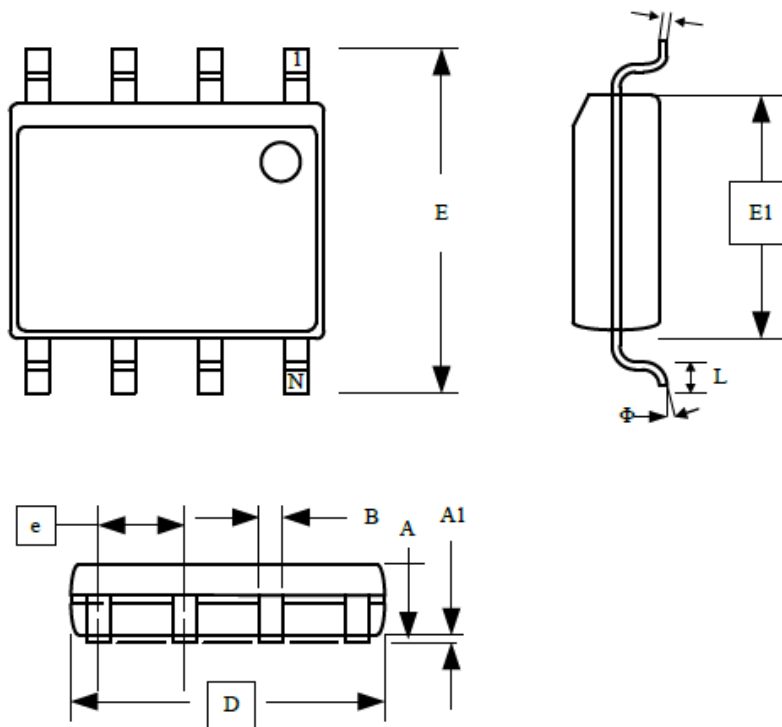


NOTE: The write cycle time  $t_{WR}$  is the time from a valid stop condition of a write sequence to the end of the internal clear/write cycle.



**PACKAGE INFORMATION**

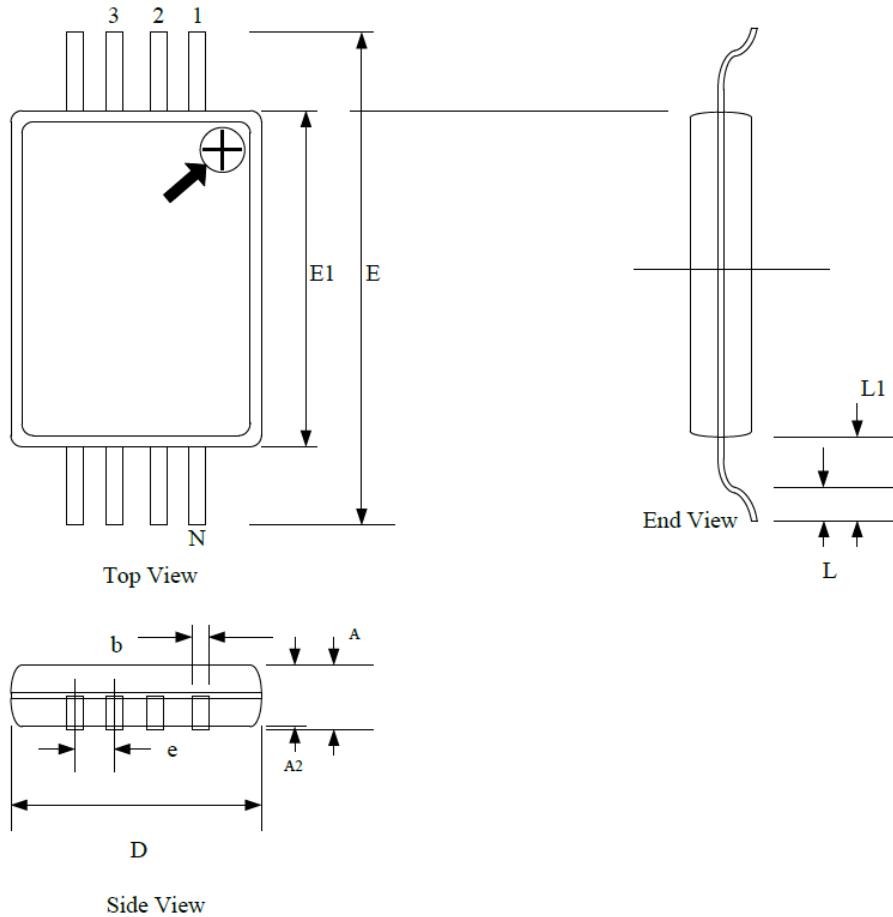
Dimension in SOP8 (Unit: mm)



Symbol	Min	Max
A	1.35	1.75
A1	0.10	0.25
B	0.31	0.51
C	0.17	0.25
D	4.80	5.00
E1	3.81	3.99
E	5.79	6.20
e	1.27BSC	
L	0.40	1.27
θ	0°	8°



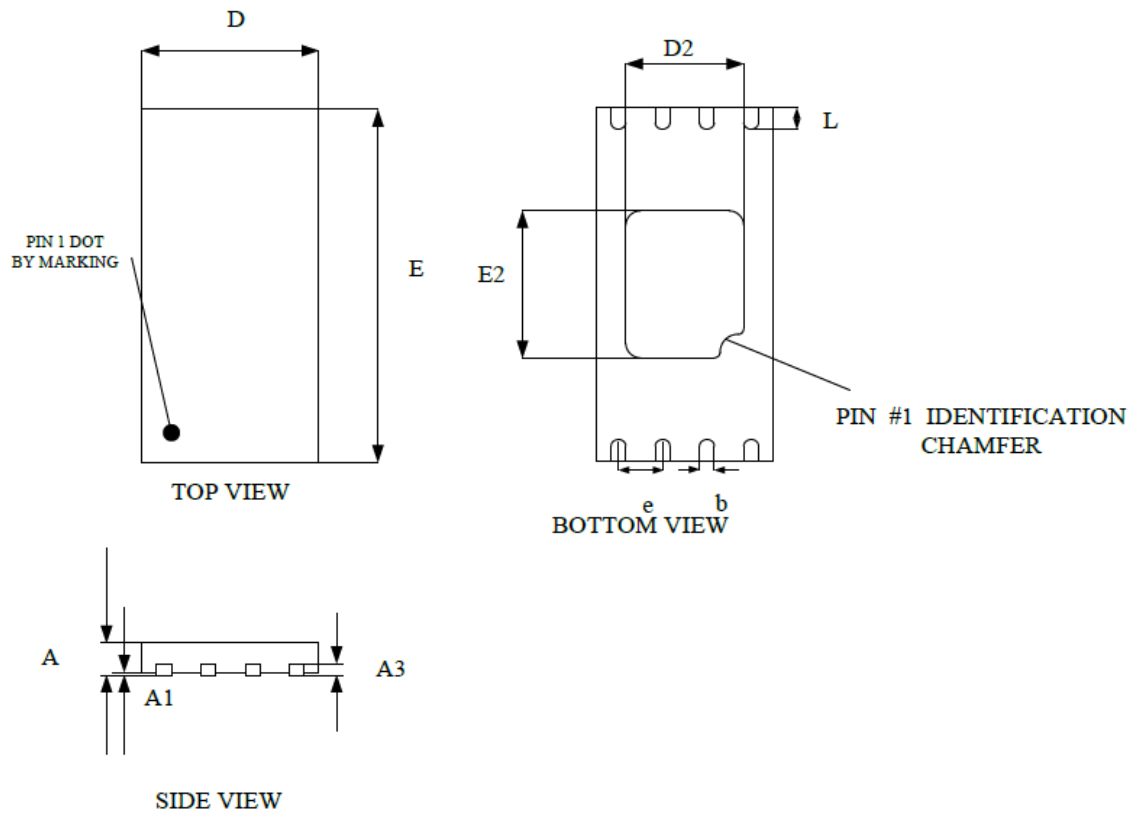
Dimension in TSSOP8 Package (Unit: mm)



Symbol	Min	Max
D	2.90	3.10
E	6.40 BSC	
E1	4.30	4.50
A	-	1.20
A2	0.80	1.05
b	0.19	0.30
e	0.65 BSC	
L	0.45	0.75
L1	1.00 REF	



Dimension in DFN8 (Unit: mm)

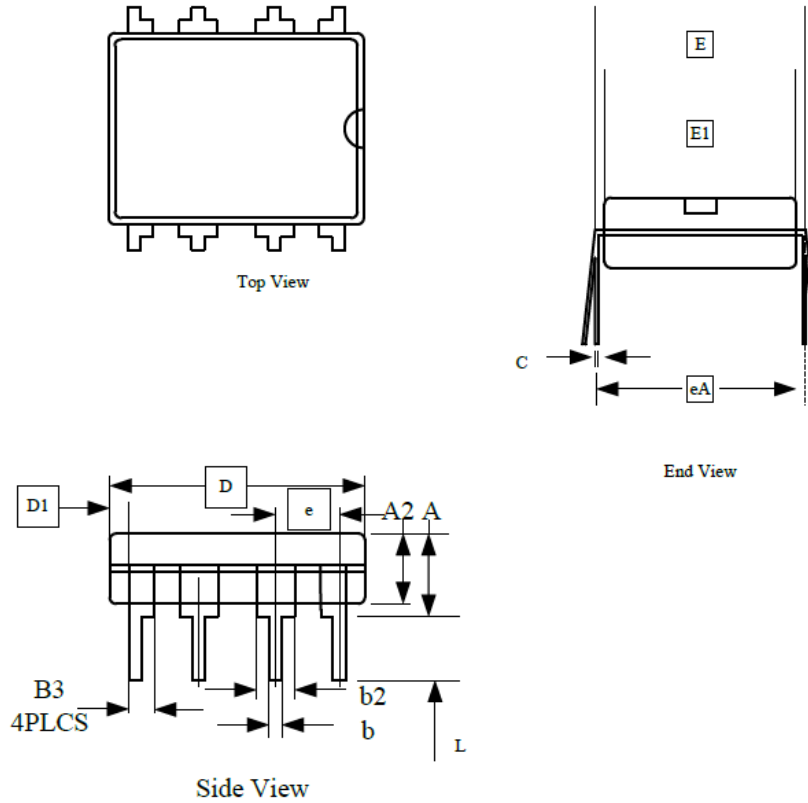


Symbol	Min	Max
A	>0.50	0.60
A1	0.00	0.05
A3	0.15 REF.	
D	1.95	2.05
E	2.95	3.05
b	0.20	0.30
L	0.20	0.40
D2	1.25	1.50
E2	1.15	1.40
e	0.50 BSC	





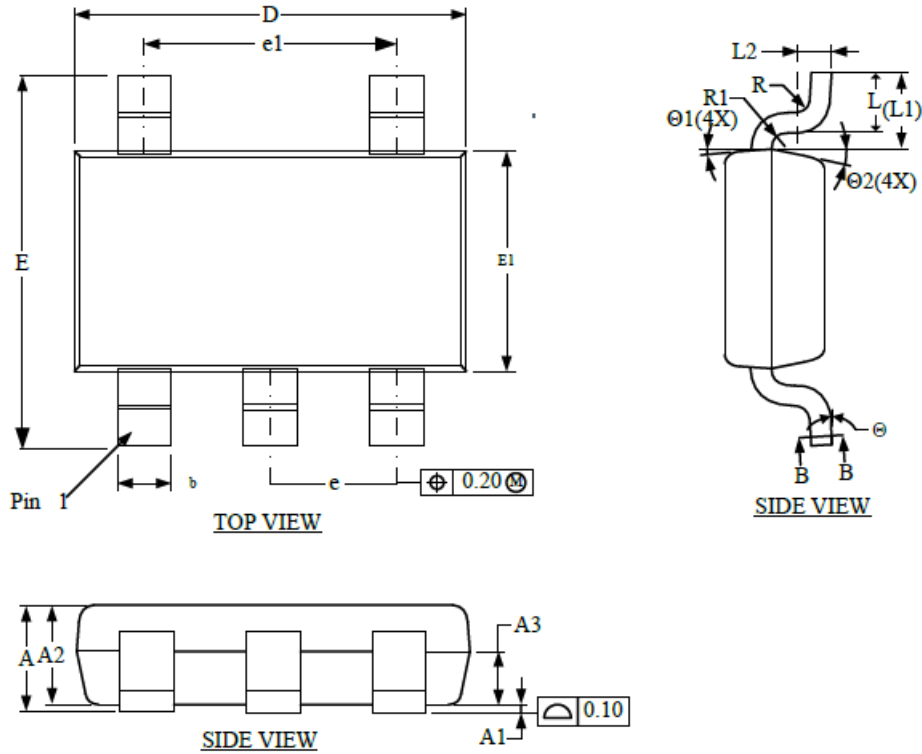
Dimension in DIP8 (Unit: inches)



Symbol	Min	Max
A	-	0.210
A2	0.115	0.195
b	0.014	0.022
b2	0.045	0.070
b3	0.030	0.045
c	0.008	0.014
D	0.355	0.400
D1	0.005	-
E	0.300	0.325
E1	0.240	0.280
e	0.100 BSC	
eA	0.300 BSC	
L	0.115	0.150



Dimension in TSOT-25 (Unit: mm)



Symbol	Min.	Max.
A	-	0.90
A1	0.00	0.15
A2	0.65	0.85
A3	0.35	0.45
c	0.14	0.20
c1	0.14	0.16
D	2.85	3.05
E	2.65	2.95
E1	1.60	1.70
e	0.90	1.00
e1	1.80	2.00
L	0.30	0.60
L1	0.575REF	
L2	0.258BSC	
R	-	0.25
R1	-	0.25
θ	0°	8°
θ1	3°	7°
θ2	10°	14°



## IMPORTANT NOTICE

AiT Semiconductor Inc. (AiT) reserves the right to make changes to any its product, specifications, to discontinue any integrated circuit product or service without notice, and advises its customers to obtain the latest version of relevant information to verify, before placing orders, that the information being relied on is current.

AiT Semiconductor Inc.'s integrated circuit products are not designed, intended, authorized, or warranted to be suitable for use in life support applications, devices or systems or other critical applications. Use of AiT products in such applications is understood to be fully at the risk of the customer. As used herein may involve potential risks of death, personal injury, or server property, or environmental damage. In order to minimize risks associated with the customer's applications, the customer should provide adequate design and operating safeguards.

AiT Semiconductor Inc. assumes to no liability to customer product design or application support. AiT warrants the performance of its products of the specifications applicable at the time of sale.