

512Mb DDRII SDRAM Specification

A3R12E30DBF

A3R12E40DBF



Zentel Electronics Corp.

Specifications

- Density: 512 bits
- Organization
 - 16M words × 8 bits × 4 banks (A3R12E30DBF)
 - 8M words × 16 bits × 4 banks (A3R12E40DBF)
- Package
 - 60-ball FBGA(μ BGA) (A3R12E30DBF)
 - 84-ball FBGA(μ BGA) (A3R12E40DBF)
 - Lead-free (RoHS compliant)
- Power supply: VDD, VDDQ = 1.8V ± 0.1V
- Data rate: 1066Mbps/800Mbps (max.)
- 1KB page size (A3R12E30DBF)
 - Row address: A0 to A13
 - Column address: A0 to A9
- 2KB page size (A3R12E40DBF)
 - Row address: A0 to A12
 - Column address: A0 to A9
- Four internal banks for concurrent operation
- Interface: SSTL_18
- Burst lengths (BL): 4, 8
- Burst type (BT):
 - Sequential (4, 8)
 - Interleave (4, 8)
- /CAS Latency (CL): 3, 4, 5, 6, 7
- Precharge: auto Precharge option for each burst access
- Driver strength: normal/weak
- Low self-refresh current parts are available (8EPH)
- Refresh: auto-refresh, self-refresh
- Refresh cycles: 8192 cycles/64ms
 - Average refresh period
 - 7.8μs at TC ≤ +85°C
 - 3.9μs at TC > +85°C
- Industrial grade compliant with AEC-Q100 grade3
- Automotive grade compliant with AEC-Q100 grade2
- Operating case temperature range
 - TC = 0°C to +85°C (Commercial grade)*
 - TC = -40°C to +95°C (Industrial grade)*
 - TC = -40°C to +105°C (Automotive grade)*

Note: Refer to operating temperature condition on page 5 for details

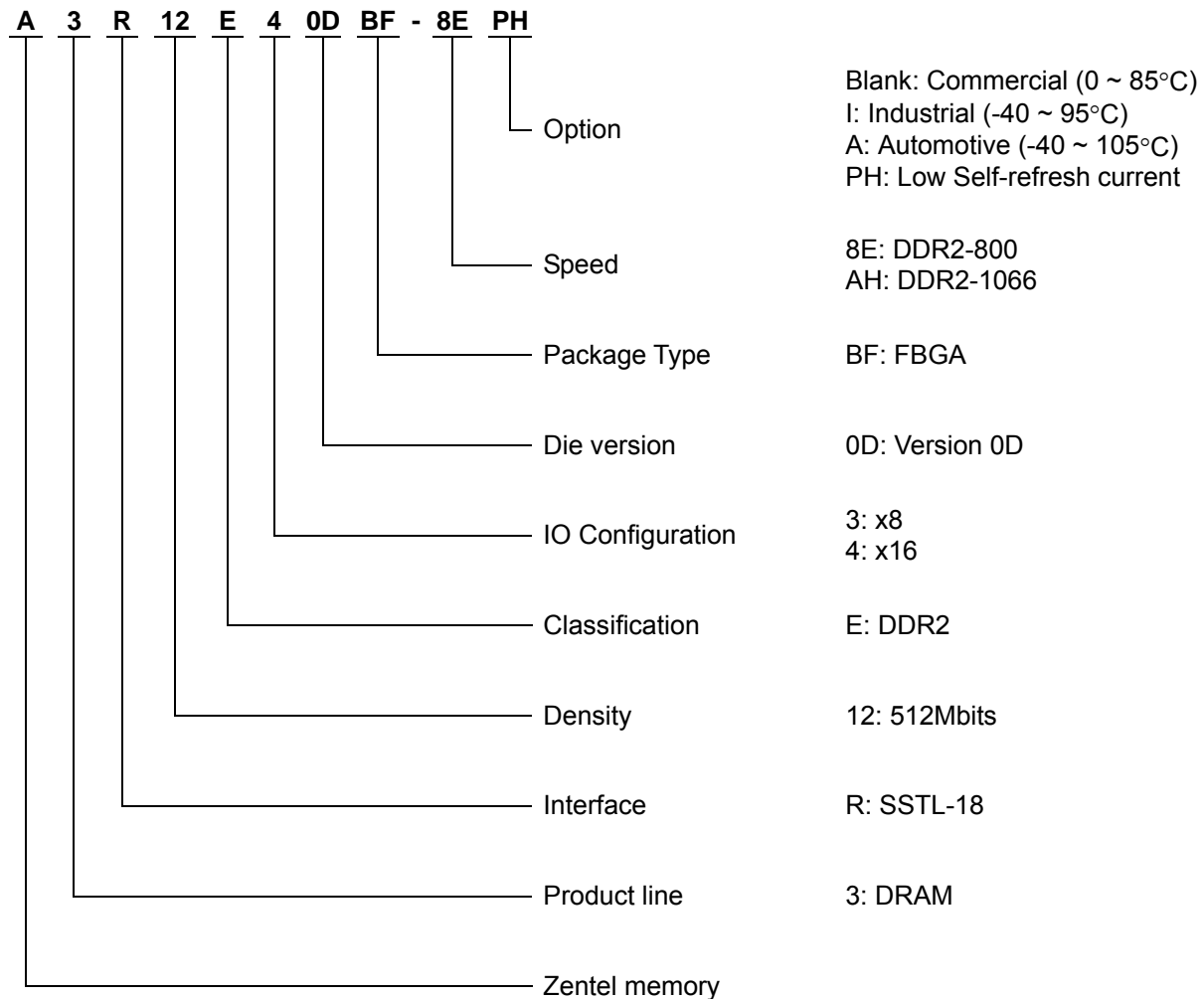
Features

- Double-data-rate architecture; two data transfers per clock cycle
- The high-speed data transfer is realized by the 4 bits prefect pipelined architecture
- Bi-directional differential data strobe (DQS and /DQS) is transmitted/received with data for capturing data at the receiver
- DQS is edge-aligned with data for READs; center-aligned with data for WRITEs
- Differential clock inputs (CK and /CK)
- DLL aligns DQ and DQS transitions with CK transitions
- Commands entered on each positive CK edge; data and data mask referenced to both edges of DQS
- Data mask (DM) for write data
- Posted /CAS by programmable additive latency for better command and data bus efficiency
- On-Die-Termination for better signal quality
- Programmable RDQS, /RDQS output for making × 8 organization compatible to × 4 organization
- /DQS, (/RDQS) can be disabled for single-ended Data Strobe operation
- Off-Chip Driver (OCD) impedance adjustment is not supported

Ordering Information

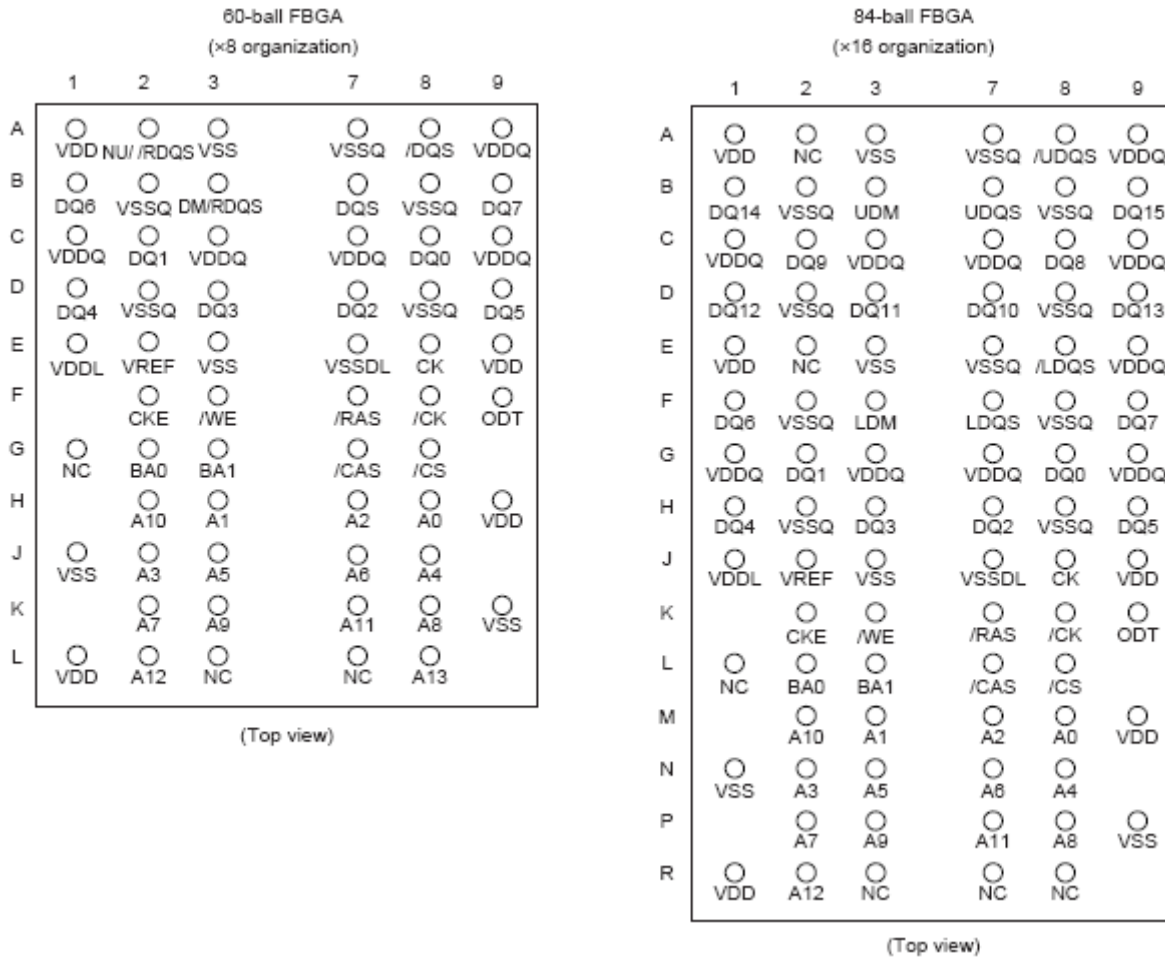
Part number	Organization (words × bits)	Internal Banks	Speed bin (CL-tRCD-tRP)	Package	Grade
A3R12E30DBF-AH	64M × 8	4	DDR2-1066 (7-7-7)	60-ball FBGA	Commercial
A3R12E30DBF-AHI			DDR2-1066 (7-7-7)		Industrial
A3R12E30DBF-AHA			DDR2-1066 (7-7-7)		Automotive
A3R12E30DBF-8E			DDR2- 800 (5-5-5)		Commercial
A3R12E30DBF-8EI			DDR2- 800 (5-5-5)		Industrial
A3R12E30DBF-8EA			DDR2- 800 (5-5-5)		Automotive
A3R12E40DBF-AH	32M × 16	4	DDR2-1066 (7-7-7)	84-ball FBGA	Commercial
A3R12E40DBF-AHI			DDR2-1066 (7-7-7)		Industrial
A3R12E40DBF-AHA			DDR2-1066 (7-7-7)		Automotive
A3R12E40DBF-8E			DDR2- 800 (5-5-5)		Commercial
A3R12E40DBF-8EI			DDR2- 800 (5-5-5)		Industrial
A3R12E40DBF-8EA			DDR2- 800 (5-5-5)		Automotive
A3R12E40DBF-8EPH	32M × 16	4	DDR2- 800 (5-5-5)	84-ball FBGA	Commercial

Part Number



Pin Configurations

/xxx indicates active low signal.



Pin name	Function	Pin name	Function
A0 to A13	Address inputs	ODT	ODT control
BA0, BA1	Bank select	VDD	Power Supply
DQ0 to DQ15	Data input/output	VSS	Ground
DQS, /DQS	Differential data strobe	VDDQ	Power Supply for DQ circuit
UDQS, /UDQS		VSSQ	Ground for DQ circuit
LDQS, /LDQS		VREF	Input reference voltage
RDQS, /RDQS	Differential data strobe for read	VDDL	Power Supply for DLL circuit
/CS	Chip select	VSSDL	Ground for DLL circuit
/RAS, /CAS, /WE	Command input	NC ^{*1}	No connection
CKE	Clock enable	NU ^{*2}	Not usable
CK, /CK	Differential clock input		
DM	Write data mask		
UDM, LDM			

Notes: 1. Not internally connected with die.

2. Don't use other than reserved functions.

CONTENTS

Specifications 1

Features 1

Ordering Information 2

Part Number 2

Pin Configurations 3

Electrical Specifications 5

Block Diagram 23

Pin Function 24

Command Operation 26

Simplified State Diagram 34

Operation of DDR2 SDRAM 35

Package Drawing 69

Recommended Soldering Conditions 71

Electrical Specifications

- All voltages are referenced to VSS (GND)
- Execute power-up and Initialization sequence before proper device operation is achieved

Absolute Maximum Ratings

Parameter	Symbol	Rating	Unit	Note
Power supply voltage	VDD	-1.0 to +2.3	V	1
Power supply voltage for output	VDDQ	-0.5 to +2.3	V	1
Power supply voltage for DLL	VDDL	-0.5 to +2.3	V	1
Input voltage	VIN	-0.5 to +2.3	V	1
Output voltage	VOUT	-0.5 to +2.3	V	1
Storage temperature	Tstg	- 55 to +150	°C	1,2
Power dissipation	PD	1.0	W	1

Notes: 1. Stresses greater than those listed under Absolute Maximum ratings may cause permanent damage to the device. This is a stress rating only and functional operation of the device at these or any other conditions above those indicated in the operational sections of this specification is not implied. Exposure to absolute maximum rating conditions for extended periods may affect reliability.

2. Storage temperature is the case surface temperature on the center/top side of the DRAM.

Caution

Exposing the device to stress above those listed in Absolute Maximum Ratings could cause permanent damage. The device is not meant to be operated under conditions outside the limits described in the operational section of this specification. Exposure to Absolute Maximum Rating conditions for extended periods may affect device reliability.

Operating Temperature Condition

Parameter	Symbol	Rating	Unit	Note
Operating case temperature (Commercial)	TC	0 to + 85	°C	1, 2, 3
Operating case temperature (Industrial)	TC	-40 to + 95	°C	1, 3
Operating case temperature (Automotive)	TC	-40 to + 105	°C	1, 3

Notes : 1. Operating temperature is the case surface temperature on the center/top side of the DRAM.

2. Supporting 0 to +85°C with full AC and DC specifications.

3. Supporting up to +85°C and being able to extend to +95°C or +105°C (Automotive grade only) with doubling auto-refresh commands in frequency to a 32ms period (tREFI = 3.9µs) and higher temperature Self-Refresh entry via A7 "1" on EMRS (2).

Recommended DC Operating Conditions (SSTL_18)

Parameter	Symbol	min.	typ.	max.	Unit	Note
Power Supply voltage	VDD	1.7	1.8	1.9	V	4
Power Supply voltage for output	VDDQ	1.7	1.8	1.9	V	4
Power Supply voltage for DLL	VDDL	1.7	1.8	1.9	V	4
Input reference voltage	VREF	0.49 x VDDQ	0.50 x VDDQ	0.51 x VDDQ	V	1.2
Termination voltage	VTT	VREF - 0.04	VREF	VREF + 0.04	V	3
DC input logic high	VIH (DC)	VREF + 0.125	-	VDDQ + 0.3	V	
DC input logic low	VIL (DC)	-0.3	-	VREF - 0.125	V	
AC input logic high -AH, -8E	VIH (AC)	VREF + 0.200	-	-	V	
AC input logic low -AH, -8E	VIL (AC)	-	-	VREF - 0.200	V	

Notes: 1.The value of VREF may be selected by the user to provide optimum noise margin in the system. Typically the value of VREF is expected to be about 0.5 x VDDQ of the transmitting device and VREF are expected to track variations in VDDQ.

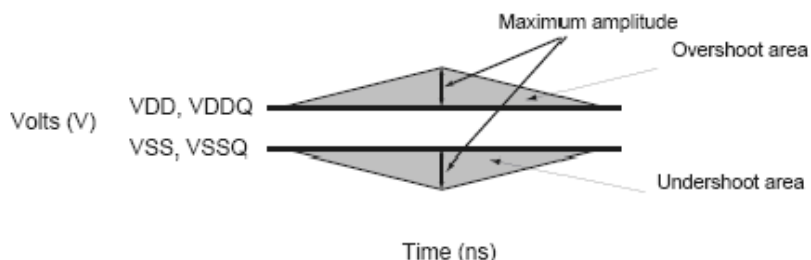
2.Peak to peak AC noise on VREF may not exceed $\pm 2\%$ VREF (DC)

3.VTT of transmitting device must track VREF of receiving device.

4.VDDQ tracks with VDD, VDDL tracks with VDD. AC parameters are measured with VDD, VDDQ and VDDL tied together.

AC Overshoot / Undershoot Specification

Parameter	Pins	Specification	Unit
Maximum peak amplitude allowed for overshoot	Command, Address	0.5	V
Maximum peak amplitude allowed for undershoot	CKE, ODT	0.5	V
Maximum overshoot area above VDD			
DDR2-1066		0.5	V-ns
DDR2-800		0.66	V-ns
Maximum undershoot area below VSS			
DDR2-1066		0.5	V-ns
DDR2-800		0.66	V-ns
Maximum peak amplitude allowed for overshoot	CK, /CK	0.5	V
Maximum peak amplitude allowed for undershoot		0.5	V
Maximum overshoot area above VDD			
DDR2-1066		0.19	V-ns
DDR2-800		0.23	V-ns
Maximum undershoot area below VSS			
DDR2-1066		0.19	V-ns
DDR2-800		0.23	V-ns
Maximum peak amplitude allowed for overshoot	DQ, DQS, /DQS,	0.5	V
Maximum peak amplitude allowed for undershoot	UDQS, /UDQS,	0.5	V
Maximum overshoot area above VDD			
DDR2-1066	RDQS, /RDQS,	0.19	V-ns
DDR2-800	DM, UDM, LDM	0.23	V-ns
Maximum undershoot area below VSS			
DDR2-1066		0.19	V-ns
DDR2-800		0.23	V-ns



Overshoot/Undershoot Definition

DC Characteristics 1

Parameter	Symbol	Grade	x8 x16		Unit	Test condition
			max.	max.		
Operating current (ACT- PRE)	IDD0	-AH	95	95	mA	one bank; tCK = tCK (IDD), tRC = tRC (IDD), tRAS min. (IDD); CKE is H, /CS is H between valid commands; Address bus inputs are SWITCHING; Data bus inputs are SWITCHING
		-8E	85	85		
Operating current (ACT-READ-PRE)	IDD1	-AH	110	110	mA	one bank; IOUT = 0mA; BL = 4, CL = CL(IDD), AL = 0; tCK = tCK (IDD), tRC = tRC (IDD); tRAS = tRAS min. (IDD); tRCD = tRCD (IDD); CKE is H, /CS is H between valid commands; Address bus inputs are SWITCHING; Data pattern is same as IDD4W
		-8E	100	100		
Precharge power- down standby current	IDD2P	-AH -8E	25 25	25 25	mA	all banks idle; tCK = tCK (IDD); CKE is L; Other control and address bus inputs are STABLE; Data bus inputs are FLOATING
Precharge quiet Standby current	IDD2Q	-AH -8E	42 42	42 42		
Idle standby current	IDD2N	-AH	47	47	mA	all banks idle; tCK = tCK (IDD); CKE is H, /CS is H; Other control and address bus inputs are STABLE; Data bus inputs are FLOATING
		-8E	47	47		
Active power-down Standby current	IDD3P-F IDD3P-S	-AH -8E	52 52	52 52	mA	All banks open; tCK = tCK (IDD); CKE is L; Other control and address bus inputs are STABLE; Data bus input are Floating
Active standby current	IDD3N	-AH	80	80	mA	all banks open; tCK = tCK (IDD); tRAS = tRAS max. (IDD), tRP = tRP (IDD); CKE is H, /CS is H between valid commands; Other control and address bus inputs are SWITCHING; Data bus inputs are SWITCHING
		-8E	65	65		
Operating current (Burst read operating)	IDD4R	-AH	190	190	mA	all banks open, continuous burst reads, IOUT = 0mA; BL = 4, CL = CL(IDD), AL = 0; tCK = tCK (IDD); tRAS = tRAS max. (IDD), tRP = tRP (IDD); CKE is H, /CS is H between valid commands; Address bus inputs are SWITCHING; Data pattern is same as IDD4W
		-8E	160	160		
Operating current (Burst write operating)	IDD4W	-AH	200	200	mA	all banks open, continuous burst writes; BL = 4, CL = CL (IDD), AL = 0 tCK = tCK (IDD), tRAS = tRAS max. (IDD), tRP = tRP (IDD); CKE is H, /CS is H between valid commands; Address bus inputs are SWITCHING; Data bus inputs are SWITCHING
		-8E	170	170		

Parameter	Symbol	Grade	x8	x16	Unit	Test condition
			max.	max.		
Auto-refresh current	IDD5	-AH	105	105	mA	tCK = tCK (IDD); Refresh command every tRFC (IDD) interval; CKE is H, /CS is H between valid commands; Other control and address bus inputs are SWITCHING; Data bus inputs are SWITCHING
		-8E	100	100		
Self-refresh current	IDD6	-AH, -8E	8	8	mA	Self Refresh Mode; CK and /CK at 0V; CKE \leq 0.2V; Other control and address bus inputs are FLOATING; Data bus inputs are FLOATING
		-8EPH	-	3		
Operating current (Bank interleaving)	IDD7	-AH	210	210	mA	all bank interleaving reads, IOUT = 0mA; BL = 4, CL = CL (IDD), AL = tRCD (IDD) - 1 \times tCK (IDD); tCK = tCK (IDD), tRC = tRC (IDD), tRRD = tRRD (IDD), tRCD = 1 \times tCK (IDD) CKE is H, CS is H between valid commands; Address bus inputs are STABLE during DESELECTs; Data pattern is same as IDD4W;
		-8E	200	200		

- *Notes: 1. IDD specifications are tested after the device is properly initialized.
2. Input slew rate is specified by AC Input Test Condition.
3. IDD parameters are specified with ODT disabled.
4. Data bus consists of DQ, DM, DQS, /DQS, RDQS and /RDQS, IDD values must be met with all combinations of EMRS bits 10 and 11.
5. Definitions for IDD
L is defined as VIN no greater than VIL (AC) (max.)
H is defined as VIN no less than VIH (AC) (min.)
STABLE is defined as inputs stable at an H or L level
FLOATING is defined as inputs at VREF = VDDQ/2
SWITCHING is defined as:
Inputs changing between H and L every other clock cycle (once per two clocks) for address and control signals, and inputs changing between H and L every other data transfer (once per clock) for DQ signals no including no including masks or strobes.
6. Refer to AC Timing for IDD Test Conditions.
7. When TC exceeds +85°C, IDD6 must be derated by 80%.
IDD6 will increase by this amount if TC exceeds +85°C and double refresh option is still enabled.

AC Timing for IDD Test Conditions

For purposes of IDD testing, the following parameters are to be utilized.

Parameter	DDR2-1066	DDR2-800	Unit
	7-7-7	5-5-5	
CL(IDD)	7	5	tCK
tRCD(IDD)	13.125	12.5	ns
tRC(IDD)	58.125	57.5	ns
tRRD(IDD)-x8	7.5	7.5	ns
tRRD(IDD)-x16	10	10	ns
tCK(IDD)	1.875	2.5	ns
tRAS(min.)(IDD)	45	45	ns
tRAS(max.)(IDD)	70000	70000	ns
tRP(IDD)	13.125	12.5	ns
tRFC(IDD)	105	105	ns

DC Characteristics 2

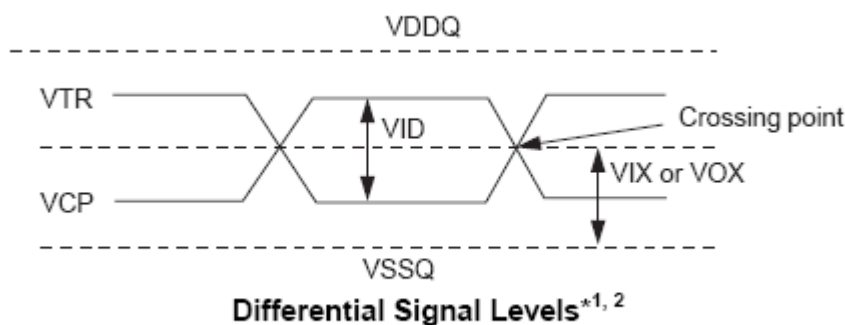
Parameter	Symbol	Value	Unit	Notes
Input leakage current	I _I	2	μA	V _{SS} ≤ V _{IN} ≤ V _{DD}
Output leakage current	I _O	5	μA	V _{SSQ} ≤ V _O ≤ V _{DDQ}
Output timing measurement reference level	V _{OTR}	0.5 x V _{DDQ}	V	1
Output minimum sink DC current	I _{OL}	+13.4	mA	3, 4, 5
Output minimum source DC current	I _{OH}	-13.4	mA	2, 4, 5

- Notes: 1. The V_{DDQ} of the device under test is referenced.
 2. V_{DDQ} = 1.7V; V_O = 1.42V.
 3. V_{DDQ} = 1.7V; V_O = 0.28V.
 4. The DC value of V_{REF} applied to the receiving device is expected to be set to V_{TT}.

DC Characteristics 3

Parameter	Symbol	min	max	Unit	Notes
AC differential input voltage	V _{ID} (AC)	0.5	V _{DDQ} + 0.6	V	1,2
AC differential cross point voltage	V _{IX} (AC)	0.5 x V _{DDQ} - 0.175	0.5xV _{DDQ} + 0.175	V	2
AC differential cross point voltage	V _{OX} (AC)	0.5 x V _{DDQ} - 0.125	0.5xV _{DDQ} + 0.125	V	3

- Notes: 1. V_{ID} (AC) specifies the input differential voltage |V_T - V_C| required for switching, where V_T is the true input signal (such as CK, DQS) and V_C is the complementary input signal (such as /CK, /DQS). The minimum value is equal to V_{IH} (AC) - V_{IL} (AC).
 2. The typical value of V_{IX} (AC) is expected to be about 0.5 x V_{DDQ} of the transmitting device and V_{IX} (AC) is expected to track variations in V_{DDQ}. V_{IX} (AC) indicates the voltage at which differential input signals must cross.
 3. The typical value of V_{OX} (AC) is expected to be about 0.5 x V_{DDQ} of the transmitting device and V_{OX} (AC) is expected to track variations in V_{DDQ}. V_{OX} (AC) indicates the voltage at which differential output signals must cross.



ODT DC Electrical Characteristics

Parameter	Symbol	Min	typ	max	Unit	Notes
Rtt effective impedance value for EMRS (A6, A2) = 0,1;75 Ω	Rtt1 (eff)	60	75	90	Ω	1
Rtt effective impedance value for EMRS (A6, A2) = 1,0;150 Ω	Rtt2 (eff)	120	150	180	Ω	1
Rtt effective impedance value for EMRs (A6, A2) = 1,1; 50 Ω	Rtt3 (eff)	40	50	60	Ω	1
Deviation of VM with respect to VDDQ/2	ΔVM	-6	-	+6	%	1

Notes:1. Test condition for Rtt measurements.

Measurement Definition for Rtt (eff)

Apply VIH (AC) and VIL (AC) to test pin separately, then measure current (VIH(AC)) and (VIL(AC)) respectively. VIH (AC), and VDDQ values defined in SSTL_18.

$$R_{tt} \text{ (eff)} = \frac{V_{IH} \text{ (AC)} - V_{IL} \text{ (AC)}}{I(V_{IH} \text{ (AC)}) - I(V_{IL} \text{ (AC)})}$$

Measurement Definition for ΔVM

Measure voltage (VM) at test pin (midpoint) with no load.

$$\Delta VM = \left(\frac{2 \times VM}{VDDQ} - 1 \right) \times 100\%$$

Pin Capacitance (TA = 25°C, VDD, VDDQ = 1.8V ± 0.1V)

Parameter	Symbol	Pins	min	max	Unit	Notes
CLK input pin capacitance	CCK	CK,/CK	1.0	2.0	pF	1
Input pin capacitance -AH, -8E	CIN	/RAS,/CAS,	1.0	1.75	pF	1
		/WE,/CS, CKE,ODT, Address	1.0	1.75	pF	1
Input/output pin capacitance -AH, -8E	CIO	DQ,DQS,/DQS, UDQS, /UDQS, LDQS, /LDQS, RDQS, /RDQS, DM, UDM, LDM	2.5	3.5	pF	2

Notes:1. Matching within 0.25pF.
2. Matching within 0.50pF.

AC Characteristics

- New unit tCK(avg) and nCK, are introduced in DDR2-1066 and DDR2-800
tCK(avg): actual tCK(avg) of the input clock under operation.
nCK: one clock cycle of the input clock, counting the actual clock edges.

Frequency (Mbps)	Parameter	Symbol	-AH		-8E		Unit	Notes
			1066	max.	800	max.		
	/CAS latency	CL	3,4,5,6,7		3,4,5,6,7		nCK	
	Active to read or write command delay	tRCD	13.125	-	12.5	-	ns	
	Precharge command period	tRP	13.125	-	12.5	-	ns	14
	Active to active/auto refresh command time	tRC	58.125	-	57.5	-	ns	
	DQ output access time from CK, /CK	tAC	-350	+350	-400	+400	ps	10
	DQS output access time from CK, /CK	tDQSCK	-325	+325	-350	+350	ps	10
	CK high-level width	tCH(avg)	0.48	0.52	0.48	0.52	tCK(avg)	13
	CK low-level width	tCL(avg)	0.48	0.52	0.48	0.52	tCK(avg)	13
	Write command to DQS associated clock edge	WL			RL - 1		nCK	
	CK half period	tHP	min.(tCL(abs), tCH(abs))		min.(tCL(abs), tCH(abs))		ps	6,13
	Clock cycle time @ CL=3	tCK(avg)	5000	8000	5000	8000	ps	13
	Clock cycle time @ CL=4	tCK(avg)	3750	8000	3750	8000	ps	13
	Clock cycle time @ CL=5	tCK(avg)	2500	8000	2500	8000	ps	13
	Clock cycle time @ CL=6	tCK(avg)	2500	8000	2500	8000	ps	13
	Clock cycle time @ CL=7	tCK(avg)	1875	8000	2500	8000	ps	13
	DQ and DM input hold time	tDH (base)	75	-	125	-	ps	5
	DQ and DM input setup time	tDS (base)	0	-	50	-	ps	4
	Control and Address input pulse width for each input	tIPW	0.6	-	0.6	-	tCK(avg)	
	DQ and DM input pulse width for each input	tDIPW	0.35	-	0.35	-	tCK(avg)	
	Data-out high-impedance time from CK, /CK	tHZ	-	tAC max	-	tAC max.	ps	10
	Data-out low-impedance time from CK, /CK	tLZ(DQS)	tAC min.	tAC max.	tAC min.	tAC max.	ps	10
	DQ low-impedance time form CK, /CK	tLZ(DQ)	2xtAC min	tAC max	2xtAC min	tAC max.	ps	10
	DQS-DQ skew for DQS and associated DQ signals	tDQSQ	-	175	-	200	ps	
	DQ hold skew factor	tQHS	-	250	-	300	ps	
	DQ/DQS output hold time from DQS	tQH	tHP - tQHS		tHP - tQHS		ps	
	DQS latching rising transitions to associated clock edges	tDQSS	-0.25	+ 0.25	-0.25	+ 0.25	tCK(avg)	
	DQS input high pulse width	tDQSH	0.35	-	0.35	-	tCK(avg)	
	DQS input low pulse width	tDQSL	0.35	-	0.35	-	tCK(avg)	
	DQS falling edge to CK setup time	tDSS	0.2	-	0.2	-	tCK(avg)	
	DQS falling edge hold time from CK	tDSH	0.2	-	0.2	-	tCK(avg)	
	Mode register set command cycle time	tMRD	2	-	2	-	nCK	
	Write postamble	tWPST	0.4	0.6	0.4	0.6	tCK(avg)	
	Write preamble	tWPRE	0.35	-	0.35	-	tCK(avg)	
	Address and control input hold time	tIH (base)	200	-	250	-	ps	5
	Address and control input setup time	tIS (base)	125	-	175	-	ps	4
	Read preamble	tRPRE	0.9	1.1	0.9	1.1	tCK(avg)	11
	Read postamble	tRPST	0.4	0.6	0.4	0.6	tCK(avg)	12
	Active to precharge command	tRAS	45	70000	45	70000	ns	

Frequency (Mbps)	Parameter	Symbol	-AH		-8E		max. Unit	Notes
			min.	max.	min.	max.		
1066					800			
Active bank A to active bank B command period								
(A3R12E30DBF)	tRRD		7.5	-	7.5	-	ns	
(A3R12E40DBF)	tRRD		10	-	10	-	ns	
Four active window period								
(A3R12E30DBF)	tFAW		35	-	35	-	ns	
(A3R12E40DBF)	tFAW		45	-	45	-	ns	
/CAS to /CAS command delay	tCCD		2	-	2	-	nCK	
Write recovery time	tWR		15	-	15	-	ns	
Auto precharge write recovery + precharge time	tDAL		WR+RU(tRP/tCK(avg)) -		WR+RU(tRP/tCK(avg)) -		nCK	1
Internal write to read command delay	tWTR		7.5	-	7.5	-	ns	
Internal read to precharge command delay	tRTP		7.5	-	7.5	-	ns	
Exit self refresh to a non-read command	tXSNR		tRFC+10	-	tRFC+10	-	ns	
Exit self refresh to a read command	tXSRD		200	-	200	-	nCK	
Exit precharge power-down to any non-read Command	tXP		3	-	2	-	nCK	
Exit active power-down to read command	tXARD		3	-	2	-	nCK	3
Exit active power-down to read command (slow exit/low power mode)	tXARDS		10-AL	-	8-AL	-	nCK	2,3
CKE minimum pulse width (high and low pulse width)	tCKE		3	-	3	-	nCK	
Output impedance test driver delay	tOIT		0		12 0		12 ns	
MRS command to ODT update delay	tMOD		0		12 0		12 ns	
Auto refresh to active/auto refresh command time	tRFC		105	-	105	-	ns	
Average periodic refresh interval (TC ≤ +85°C)	tREFI		-		7.8 -		7.8 μs	
(TC > +85°C)	tREFI		-		3.9 -		3.9 μs	
Minimum time clocks remains ON after CKE asynchronously drops low	tDELAY		tIS+tCK(avg)+tIH	-	tIS+tCK(avg)+tIH	-	ns	

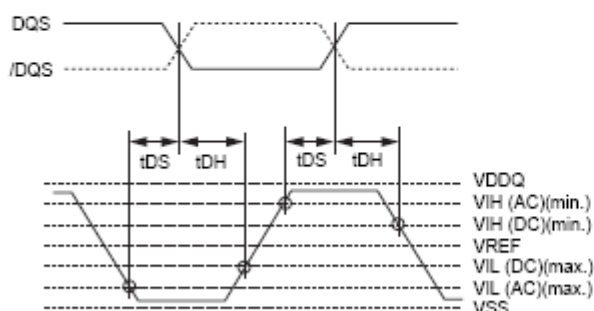
Notes: 1. For each of the terms above, if not already an integer, round to the next higher integer.

2. AL: Additive Latency.

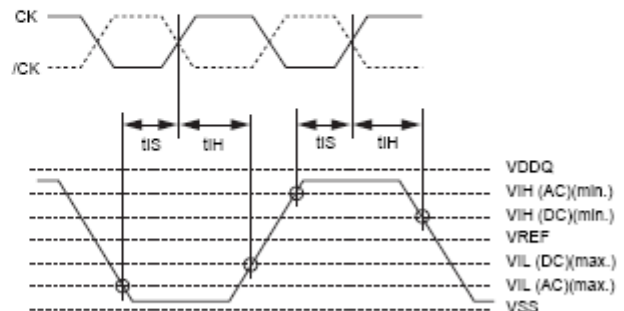
3. MRS A12 bit defines which active power-down exit timing to be applied.

4. The figures of Input Waveform Timing 1 and 2 are referenced from the input signal crossing at the VIH(AC) level for a rising signal and VIL(AC) for a falling signal applied to the device under test.

5. The figures of Input Waveform Timing 1 and 2 are referenced from the input signal crossing at the VIH(DC) level for a rising signal and VIL(DC) for a falling signal applied to the device under test.



Input Waveform Timing 1 (tDS, tDH)



Input Waveform Timing 2 (tIS, tIH)

6. tHP is the minimum of the absolute half period of the actual input clock. tHP is an input parameter but not an input specification parameter. It is used in conjunction with tQHS to derive the DRAM output timing tQH.

The value to be used for tQH calculation is determined by the following equation;

$$tHP = \min (tCH(abs), tCL(abs)),$$

where,

tCH(abs) is the minimum of the actual instantaneous clock high time;

tCL(abs) is the minimum of the actual instantaneous clock low time;

7. tQHS accounts for:
- The pulse duration distortion of on-chip clock circuits, which represents how well the actual tHP at the input is transferred to the output; and
 - The worst case push-out of DQS on one transition followed by the worst case pull-in of DQ on the next transition, both of which are independent of each other, due to data pin skew, output pattern effects, and p-channel to n-channel variation of the output drivers.
8. $tQH = tHP - tQHS$, where:
tHP is the minimum of the absolute half period of the actual input clock; and tQHS is the specification value under the max column.
{The less half-pulse width distortion present, the larger the tQH value is; and the larger the valid data eye will be.}
Examples:
- If the system provides tHP of 1315ps into a DDR2-667 SDRAM, the DRAM provides tQH of 975ps (min.)
 - If the system provides tHP of 1420ps into a DDR2-667 SDRAM, the DRAM provides tQH of 1080ps (min.)
9. RU stands for round up. WR refers to the tWR parameter stored in the MRS.
10. When the device is operated with input clock jitter, this parameter needs to be derated by the actual tERR(6-10per) of the input clock. (output deratings are relative to the SDRAM input clock.)
For example, if the measured jitter into a DDR2-667 SDRAM has tERR(6-10per) min. = -272ps and tERR(6-10per) max. = +293ps, then tDQSCK min.(derated) = tDQSCK min. - tERR(6-10per) max. = -400ps - 293ps = -693ps and tDQSCK max.(derated) = tDQSCK max. - tERR(6-10per) min. = 400ps + 272ps = +672ps. Similarly, tLZ(DQ) for DDR2-667 derates to tLZ(DQ) min.(derated) = -900ps - 293ps = -1193ps and tLZ(DQ) max.(derated) = 450ps + 272ps = +722ps.
11. When the device is operated with input clock jitter, this parameter needs to be derated by the actual tJIT(per) of the input clock. (output deratings are relative to the SDRAM input clock.)
For example, if the measured jitter into a DDR2-667 SDRAM has tJIT(per) min. = -72ps and tJIT(per) max. = +93ps, then tRPRE min.(derated) = tRPRE min. + tJIT(per) min. = $0.9 \times tCK(avg) - 72ps$ = +2178ps and tRPRE max.(derated) = tRPRE max. + tJIT(per) max. = $1.1 \times tCK(avg) + 93ps$ = +2843ps.
12. When the device is operated with input clock jitter, this parameter needs to be derated by the actual tJIT(duty) of the input clock. (output deratings are relative to the SDRAM input clock.)
For example, if the measured jitter into a DDR2-667 SDRAM has tJIT(duty) min. = -72ps and tJIT(duty) max. = +93ps, then tRPST min.(derated) = tRPST min. + tJIT(duty) min. = $0.4 \times tCK(avg) - 72ps$ = +928ps and tRPST max.(derated) = tRPST max. + tJIT(duty) max. = $0.6 \times tCK(avg) + 93ps$ = +1592ps.
13. Refer to the Clock Jitter table.
14. tRPall for a Precharge All command is equal to tRP+1xtCK, where tRP is value for a single bank precharge, Which are shown in this table.

ODT AC Electrical Characteristics

Parameter	Symbol	min.	max.	Unit	Notes
ODT turn-on delay	tAOND	2	2	nCK	
ODT turn-on	tAON	tAC(min)	tAC(max)+700 -8E tAC(max)+2575 -AH	ps	1,3
ODT turn-on(power down mode)	tAONPD	tAC(min)+2	2tCK+tAC(max)+1 -8E 3tCK+tAC(max)+1 -AH	ns	
ODT turn -off delay	tAOFD	2.5	2.5	nCK	5
ODT turn -off	tAOF	tAC(min)	tAC(max)+600	ps	2,4,5
ODT turn -off(power down mode)	tAOFPD	tAC(min)+2000	2.5tCK + tAC(max)+1000	ps	
ODT to power down entry latency	tANPD	3	3	nCK	
ODT power down exit latency	tAXPD	8	8	nCK	

Notes: 1. ODT turn on time min is when the device leaves high impedance and ODT resistance begins to turn on.

ODT turn on time max is when the ODT resistance is fully on. Both are measured from tAOND.

2. ODT turn off time min is when the device starts to turn off ODT resistance.

ODT turn off time max is when the bus is in high impedance. Both are measured from tAOFD.

3. When the device is operated with input clock jitter, this parameter needs to be derated by the actual tERR(6-10per) of the input clock. (output deratings are relative to the SDRAM input clock.)

4. When the device is operated with input clock jitter, this parameter needs to be derated by { -tJIT(duty) max. - tERR(6-10per) max. } and { -tJIT(duty) min. - tERR(6-10per) min. } of the actual input clock.(output deratings are relative to the SDRAM input clock.)

For example, if the measured jitter into a DDR2-667 SDRAM has tERR(6-10per) min. = -272ps, tERR(6-10per) max. = +293ps, tJIT(duty) min. = -106ps and tJIT(duty) max. = +94ps, then tAOF min.(derated) = tAOF min. + { -tJIT(duty) max. - tERR(6-10per) max. } = -450ps + { -94ps - 293ps } = -837ps and tAOF max.(derated) = tAOF max. + { -tJIT(duty) min. - tERR(6-10per) min. } = 1050ps + { 106ps + 272ps } = +1428ps.

5. For tAOFD of DDR2-667/800, the 1/2 clock of nCK in the 2.5 × nCK assumes a tCH(avg), average input clock high pulse width of 0.5 relative to tCK(avg). tAOF min. and tAOF max. should each be derated by the same amount as the actual amount of tCH(avg) offset present at the DRAM input with respect to 0.5. For example, if an input clock has a worst case tCH(avg) of 0.48, the tAOF min. should be derated by subtracting 0.02 × tCK(avg) from it, whereas if an input clock has a worst case tCH(avg) of 0.52, the tAOF max. should be derated by adding 0.02 × tCK(avg) to it. Therefore, we have;

$$tAOF \text{ min. (derated)} = tAC \text{ min.} - [0.5 - \text{Min.}(0.5, tCH(\text{avg}) \text{ min.})] \times tCK(\text{avg})$$

$$tAOF \text{ max. (derated)} = tAC \text{ max.} + 0.6 + [\text{Max.}(0.5, tCH(\text{avg}) \text{ max.}) - 0.5] \times tCK(\text{avg})$$

or

$$tAOF \text{ min. (derated)} = \text{Min.}(tAC \text{ min.}, tAC \text{ min.} - [0.5 - tCH(\text{avg}) \text{ min.}] \times tCK(\text{avg}))$$

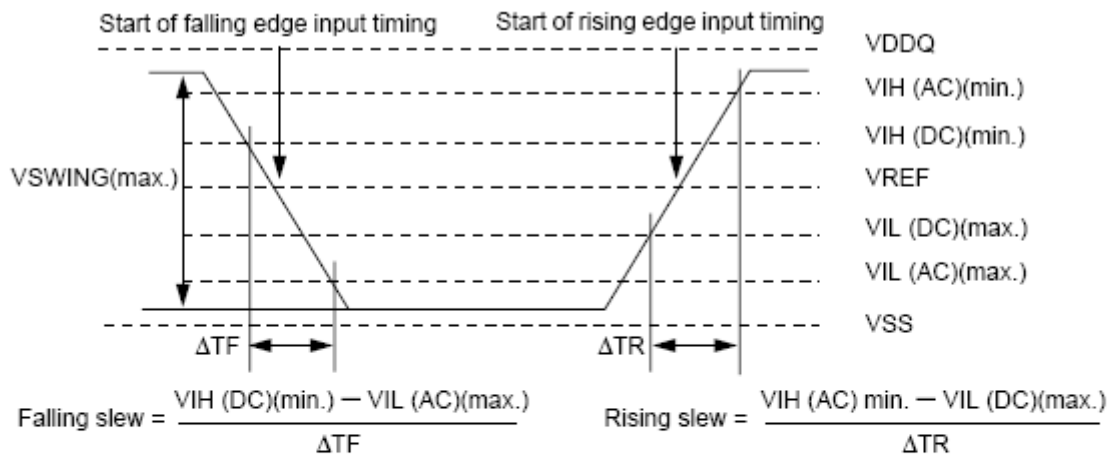
$$tAOF \text{ max. (derated)} = 0.6 + \text{Max.}(tAC \text{ max.}, tAC \text{ max.} + [tCH(\text{avg}) \text{ max.} - 0.5] \times tCK(\text{avg}))$$

where tCH(avg) min. and tCH(avg) max. are the minimum and maximum of tCH(avg) actually measured at the DRAM input balls.

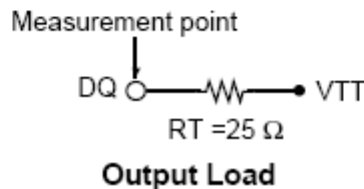
AC Input Test Conditions

Parameter	Symbol	Value	Unit	Noted
Input reference voltage	VREF	0.5xVDDQ	V	1
Input signal maximum peak to peak swing	VSWING (max.)	1.0	V	1
Input signal maximum slew rate	SLEW	1.0	V/ns	2,3

- Notes: 1. Input waveform timing is referenced to the input signal crossing through the VIH/IL(AC) level applied to the device under test.
 2. The input signal minimum slew rate is to be maintained over the range from VREF to VIH(AC) (min). for rising edges and the range from VREF to VIL(AC)(max.) for falling edges as shown in the below figure.
 3. AC timings are referenced with input waveforms switching from VIL(AC) to VIH(AC) on the positive transitions and VIH(AC) to VIL(AC) on the negative transitions.



AC Input Test Signal Wave forms



Clock Jitter [DDR2-1066, 800]

Frequency(Mbps)	Parameter	Symbol	-AH		-8E		Unit	Noted
			1066	800	min	max		
	Clock period jitter	tJIT(per)	-90	90	-100	100	ps	5
	Clock period jitter during DLL locking period	tJIT(per,lck)	-80	80	-80	80	ps	5
	Cycle to cycle period jitter	tJIT(cc)	-180	180	-200	200	ps	6
	Cycle to cycle clock period jitter During DLL locking period	tJIT(cc,lck)	-160	160	-160	160	ps	6
	Cumulative error across 2 cycles	tERR(2per)	-132	132	-150	150	ps	7
	Cumulative error across 3 cycles	tERR(3per)	-157	157	-175	175	ps	7
	Cumulative error across 4 cycles	tERR(4per)	-175	175	-200	200	ps	7
	Cumulative error across 5 cycles	tERR(5per)	-188	188	-200	200	ps	7
	Cumulative error across n=6,7,8,9,10 cycles	tERR(6-10per)	-250	250	-300	300	ps	7
	Cumulative error across n=11,12,...49,50 cycles	tERR(11-50per)	-425	425	-450	450	ps	7
	Average high pulse width	tCH(avg)	0.48	0.52	0.48	0.52	tCK(avg)	2
	Average low pulse width	tCL(avg)	0.48	0.52	0.48	0.52	tCK(avg)	3
	Duty cycle jitter	tJIT(duty)	-75	75	-100	100	ps	4

Notes: 1. tCK (avg) is calculated as the average clock period across any consecutive 200cycle window.

$$tCK(avg) = \left\{ \sum_{j=1}^N tCKj \right\} / N$$

N = 200

2. tCH (avg) is defined as the average high pulse width, as calculated across any consecutive 200 high pulses.

$$tCH(avg) = \left\{ \sum_{j=1}^N tCHj \right\} / (N \times tCK(avg))$$

N = 200

3. tCL (avg) is defined as the average low pulse width, as calculated across any consecutive 200 low pulses.

$$tCL(avg) = \left\{ \sum_{j=1}^N tCLj \right\} / (N \times tCK(avg))$$

N = 200

4. tJIT (duty) is defined as the cumulative set of tCH jitter and tCL jitter. tCH jitter is the largest deviation of any single tCH from tCH (avg). tCL jitter is the largest deviation of any single tCL from tCL (avg). tJIT (duty) is not subject to production test.
tJIT (duty) = Min./Max. of {tJIT (CH), tJIT (CL)}, where:
tJIT (CH) = {tCH_j - tCH (avg) where j = 1 to 200}
tJIT (CL) = {tCL_j - tCL (avg) where j = 1 to 200}
5. tJIT (per) is defined as the largest deviation of any single tCK from tCK (avg).
tJIT (per) = Min./Max. of { tCK_j - tCK (avg) where j = 1 to 200}
tJIT (per) defines the single period jitter when the DLL is already locked. tJIT (per, lck) uses the same definition for single period jitter, during the DLL locking period only. tJIT (per) and tJIT (per, lck) are not subject to production test.

6. tJIT (cc) is defined as the absolute difference in clock period between two consecutive clock cycles:
 $tJIT (cc) = \text{Max. of } |tCK_{j+1} - tCK_j|$
 tJIT (cc) defines the cycle to cycle jitter when the DLL is already locked. tJIT (cc, lck) uses the same definition for cycle to cycle jitter, during the DLL locking period only. tJIT (cc) and tJIT (cc, lck) are not subject to production test.
7. tERR (nper) is defined as the cumulative error across multiple consecutive cycles from tCK (avg).
 tERR (nper) is not subject to production test.

$$tERR(nper) = \left\{ \sum_{j=1}^n tCK_j \right\} - n \times tCK(avg)$$

$2 \leq n \leq 50$ for tERR (nper)

8. These parameters are specified per their average values, however it is understood that the following relationship between the average timing and the absolute instantaneous timing hold at all times.
 (minimum and maximum of spec values are to be used for calculations in the table below.)

Parameter	Symbol	min.	max.	Unit
Absolute clock period	tCK (abs)	tCK (avg) min. + tJIT (per) min.	tCK (avg) max. + tJIT (per) max.	ps
Absolute clock high pulse width	tCH (abs)	tCH (avg) min. × tCK (avg) min. + tJIT (duty) min.	tCH (avg) max. × tCK (avg) max. + tJIT (duty) max.	ps
Absolute clock low pulse width	tCL (abs)	tCL (avg) min. × tCK (avg) min. + tJIT (duty) min.	tCL (avg) max. × tCK (avg) max. + tJIT (duty) max.	ps

Example: For DDR2-667, tCH(abs) min. = (0.48 × 3000 ps) - 125ps = 1315ps

Input Slew Rate Derating

For all input signals the total tIS, tDS (setup time) and tIH, tDH (hold time) required is calculated by adding the data sheet tIS (base), tDS (base) and tIH (base), tDH (base) value to the ΔtIS , ΔtDS and ΔtIH , ΔtDH derating value respectively.

Example: tDS (total setup time) = tDS (base) + ΔtDS .

Setup (tIS, tDS) nominal slew rate for a rising signal is defined as the slew rate between the last crossing of VREF (DC) and the first crossing of VIH (AC) min. Setup (tIS, tDS) nominal slew rate for a falling signal is defined as the slew rate between the last crossing of VREF (DC) and the first crossing of VIL (AC) max. If the actual signal is always earlier than the nominal slew rate line between shaded 'VREF (DC) to AC region', use nominal slew rate for derating value (See the figure of Slew Rate Definition Nominal).

If the actual signal is later than the nominal slew rate line anywhere between shaded 'VREF (DC) to AC region', the slew rate of a tangent line to the actual signal from the AC level to DC level is used for derating value (see the figure of Slew Rate Definition Tangent).

Hold (tIH, tDH) nominal slew rate for a rising signal is defined as the slew rate between the last crossing of VIL (DC) max. and the first crossing of VREF (DC). Hold (tIH, tDH) nominal slew rate for a falling signal is defined as the slew rate between the last crossing of VIH (DC) min. and the first crossing of VREF (DC). If the actual signal is always later than the nominal slew rate line between shaded 'DC level to VREF (DC) region', use nominal slew rate for derating value (See the figure of Slew Rate Definition Nominal).

If the actual signal is earlier than the nominal slew rate line anywhere between shaded 'DC to VREF (DC) region', the slew rate of a tangent line to the actual signal from the DC level to VREF (DC) level is used for derating value (see the figure of Slew Rate Definition Tangent).

Although for slow slew rates the total setup time might be negative (i.e. a valid input signal will not have reached VIH/IL (AC) at the time of the rising clock transition) a valid input signal is still required to complete the transition and reach VIH/IL (AC).

For slew rates in between the values listed in the tables below, the derating values may be obtained by linear interpolation.

These values are typically not subject to production test. They are verified by design and characterization.

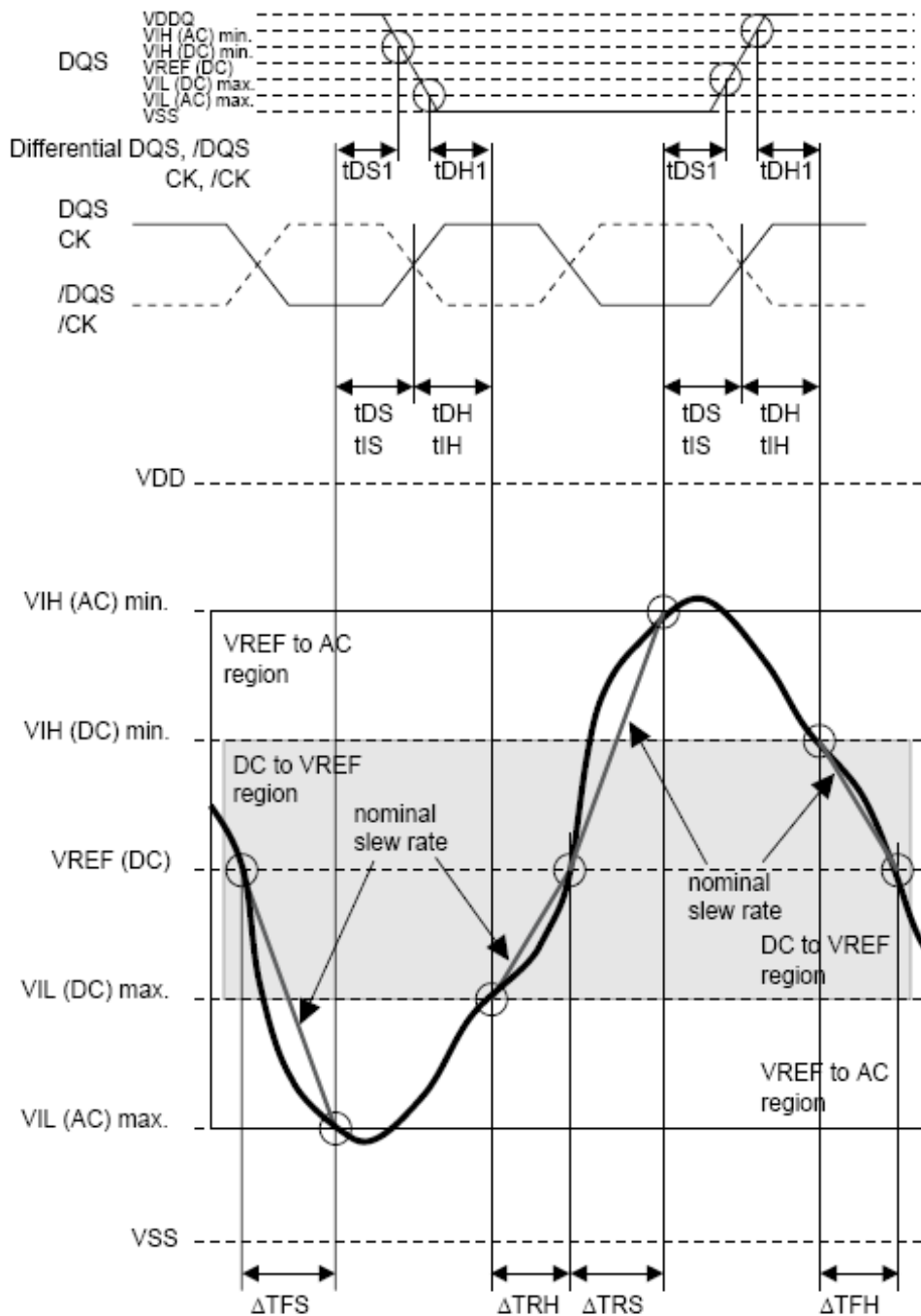
[Derating Values of tDS/tDH with Differential DQS (DDR2-1066, DDR2-800)]

		DQS, /DQS differential slew rate																		
		4.0 V/ns		3.0 V/ns		2.0 V/ns		1.8 V/ns		1.6 V/ns		1.4 V/ns		1.2 V/ns		1.0 V/ns		0.8 V/ns		
		ΔtDS	ΔtDH	ΔtDS	ΔtDH	ΔtDS	ΔtDH	ΔtDS	ΔtDH	ΔtDS	ΔtDH	ΔtDS	ΔtDH	ΔtDS	ΔtDH	ΔtDS	ΔtDH	ΔtDS	ΔtDH	Unit
	2.0	+100	+45	+100	+45	+100	+45	-	-	-	-	-	-	-	-	-	-	-	-	ps
	1.5	+67	+21	+67	+21	+67	+21	+79	+33	-	-	-	-	-	-	-	-	-	-	ps
	1.0	0	0	0	0	0	0	+12	+12	+24	+24	-	-	-	-	-	-	-	-	ps
DQ Slew rate (V/ns)	0.9	-	-	-5	-14	-5	-14	+7	-2	+19	+10	+31	+22	-	-	-	-	-	-	ps
	0.8	-	-	-	-	-13	-31	-1	-19	+11	-7	+23	+5	+35	+17	-	-	-	-	ps
	0.7	-	-	-	-	-	-	-10	-42	+2	-30	+14	-18	+26	-6	+38	+6	-	-	ps
	0.6	-	-	-	-	-	-	-	-	-10	-59	+2	-47	+14	-35	+26	-23	+38	-11	ps
	0.5	-	-	-	-	-	-	-	-	-	-	-24	-89	-12	-77	0	-65	+12	-53	ps
	0.4	-	-	-	-	-	-	-	-	-	-	-	-	-52	-140	-40	-128	-28	-116	ps

[Derating Values of tIS/tIH (DDR2-1066, DDR2-800)]

		CK, /CK Differential Slew Rate						Unit	Notes
		2.0 V/ns		1.5 V/ns		1.0 V/ns			
		Δt_{IS}	Δt_{IH}	Δt_{IS}	Δt_{IH}	Δt_{IS}	Δt_{IH}		
Command/address slew rate (V/ns)	4.0	+150	+94	+180	+124	+210	+154	ps	
	3.5	+143	+89	+173	+119	+203	+149	ps	
	3.0	+133	+83	+163	+113	+193	+143	ps	
	2.5	+120	+75	+150	+105	+180	+135	ps	
	2.0	+100	+45	+130	+75	+160	+105	ps	
	1.5	+67	+21	+97	+51	+127	+81	ps	
	1.0	0	0	+30	+30	+60	+60	ps	
	0.9	-5	-14	+25	+16	+55	+46	ps	
	0.8	-13	-31	+17	-1	+47	+29	ps	
	0.7	-22	-54	+8	-24	+38	+6	ps	
	0.6	-34	-83	-4	-53	+26	-23	ps	
	0.5	-60	-125	-30	-95	0	-65	ps	
	0.4	-100	-188	-70	-158	-40	-128	ps	
	0.3	-168	-292	-138	-262	-108	-232	ps	
	0.25	-200	-375	-170	-345	-140	-315	ps	
	0.2	-325	-500	-295	-470	-265	-440	ps	
	0.15	-517	-708	-487	-678	-457	-648	ps	
0.1	-1000	-1125	-970	-1095	-940	-1065	ps		

Single-ended DQS



$$\text{Setup slew rate Falling signal} = \frac{V_{REF} (DC) - V_{IL} (AC) \text{ max.}}{\Delta T_{FS}}$$

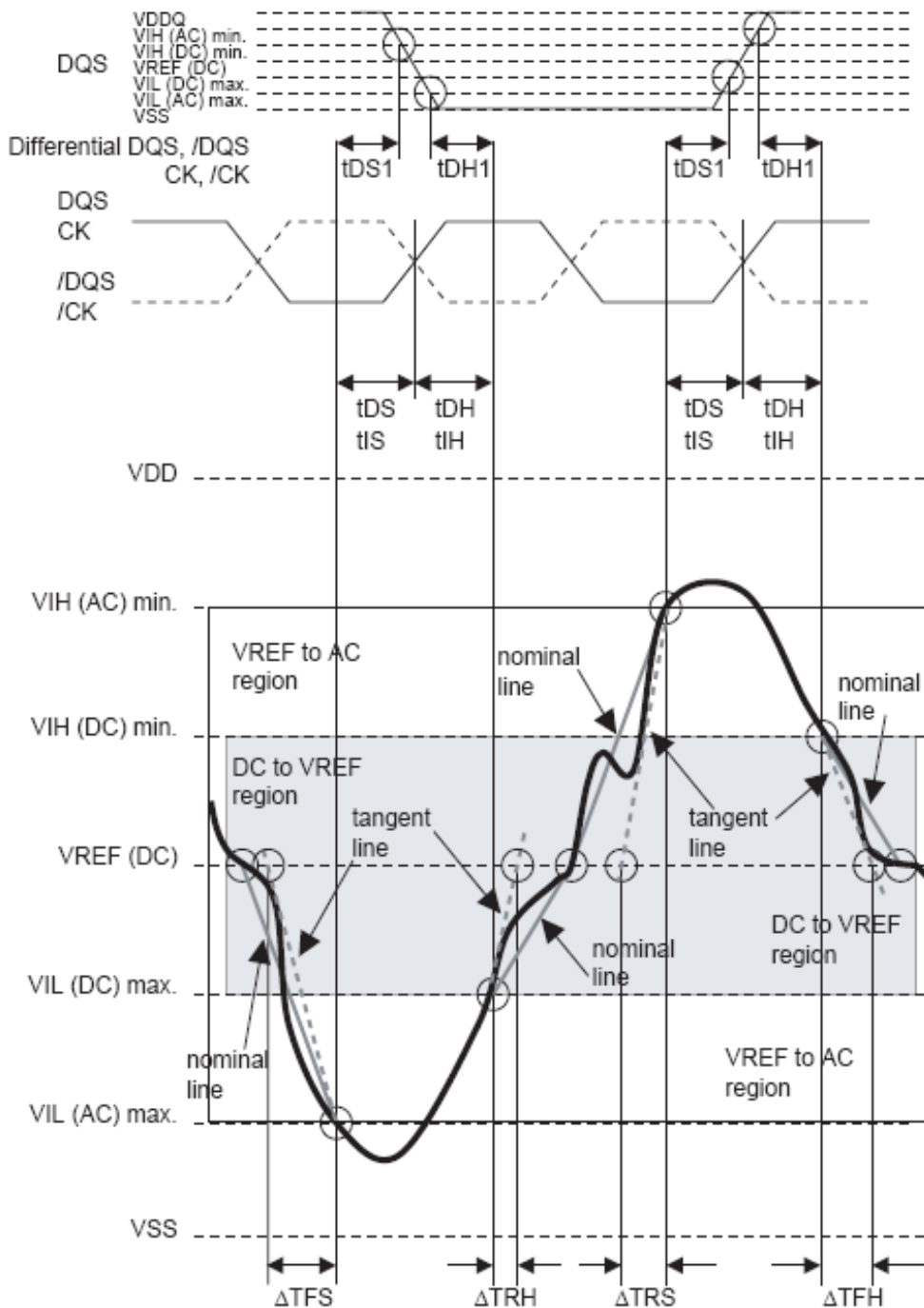
$$\text{Setup slew rate Rising signal} = \frac{V_{IH} (AC) \text{ min.} - V_{REF} (DC)}{\Delta T_{RS}}$$

$$\text{Hold slew rate Rising signal} = \frac{V_{REF} (DC) - V_{IL} (DC) \text{ max.}}{\Delta T_{RH}}$$

$$\text{Hold slew rate Falling signal} = \frac{V_{IH} (DC) \text{ min.} - V_{REF} (DC)}{\Delta T_{FH}}$$

Slew Rate Definition Nominal

Single-ended DQS



$$\text{Setup slew rate Falling signal} = \frac{\text{tangent line [VREF (DC) - VIL (AC) max.]} }{\Delta TFS}$$

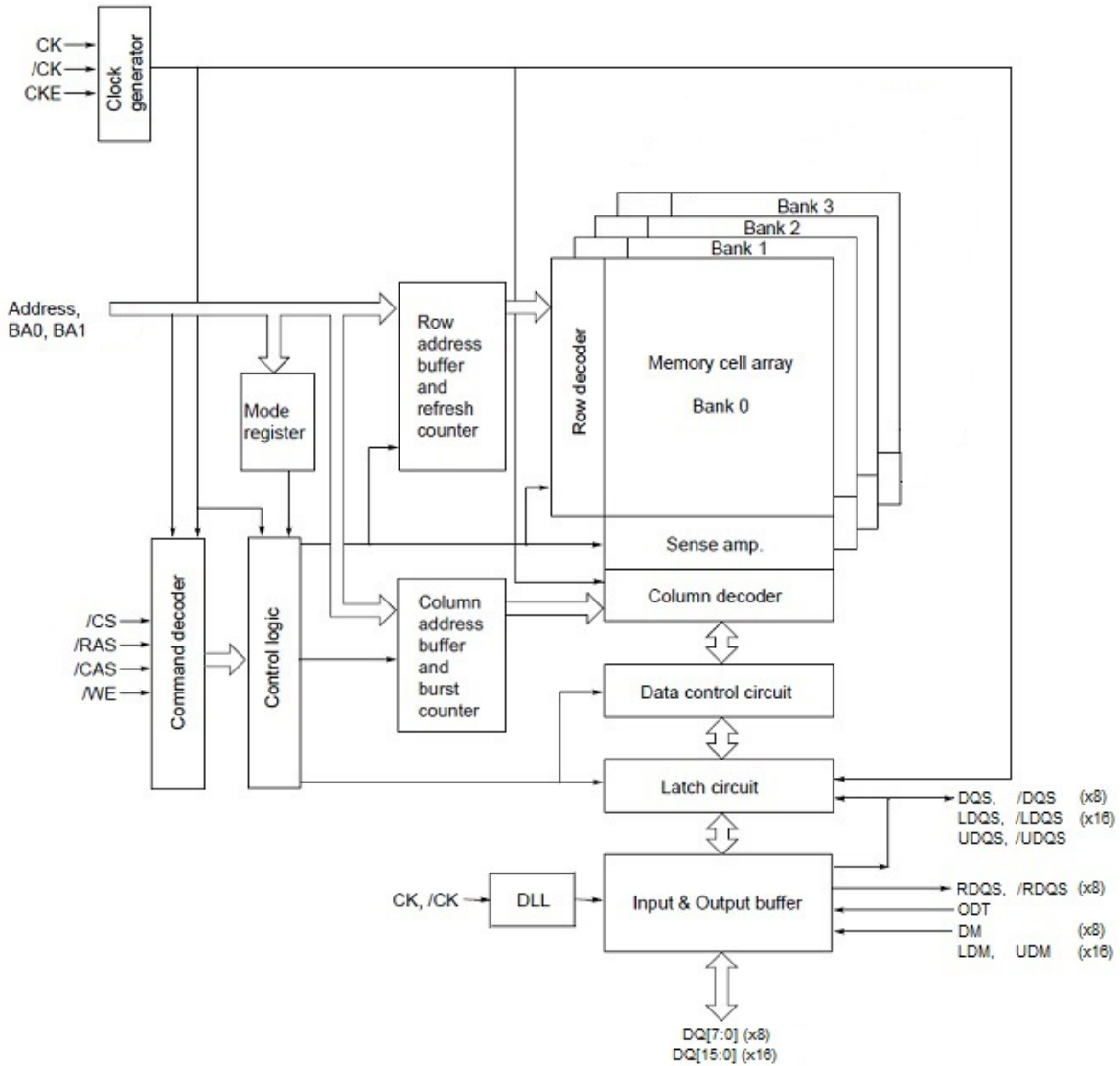
$$\text{Setup slew rate Rising signal} = \frac{\text{tangent line [VIH (AC) min. - VREF (DC)]} }{\Delta TRS}$$

$$\text{Hold slew rate Rising signal} = \frac{\text{tangent line [VREF (DC) - VIL (DC) max.]} }{\Delta TRH}$$

$$\text{Hold slew rate Falling signal} = \frac{\text{tangent line [VIH (DC) min. - VREF (DC)]} }{\Delta TFH}$$

Slew Rate Definition Tangent

Block Diagram



Pin function

CK,/CK (input pins)

CK and /CK are differential clock inputs. All address and control input signals are sampled on the crossing of the positive edge of Ck and negative edge of /CK. Output (read)data is referenced to the crossings of CK and /CK (both directions of crossing.)

/CS (input pin)

all commands are masked when /CS is registered high. /CS provides for external rank selection on systems with multiple ranks. /CS is considered part of the command code.

/RAS, /CAS, /WE (input pins)

/RAS, /CAS and /WE(along with /CS) define the command being entered.

A0 to A13 (input pins)

Provided the row address for Active commands and the column address and Auto Precharge bit for Read/Write commands to select one location out of the memory array in the respective bank. The address inputs also provide the op-code during mode register set commands.

[Address Pins Table]

Part number	Address (A0 to A13)		Note
	Row address	Column address	
A3R12E30DBF	AX0 to AX13	AY0 to AY9	
A3R12E40DBF	AX0 to AX12	AY0 to AY9	1

Note: 1. A13 pin is NC for x 16 organization.

A10 (AP) (input pin)

A10 is sampled during a precharge command to determine whether the precharge applies to one bank (A10=low) or all banks (A10=high). If only one bank is to be precharged, the bank is selected by BA0 and BA1.

BA0, BA1 (input pins)

BA0 and BA1 define to which bank an active, read, write or precharge command is being applied. BA0 also determines if the mode register or extended mode register is to be accessed during a MRS or EMRS(1), EMRS(2) cycle.

[Bank Select Signal Table]

	BA0	BA1
Bank 0	L	L
Bank 1	H	L
Bank 2	L	H
Bank 3	H	H

Remark: H: VIH. L: VIL.

CKE (input pin)

CKE high activates, and CKE low deactivates, internal clock signals and device input buffers and output drivers. Taking CKE low provides precharge power-down and Self Refresh operation (all banks idle), or active power-down (row active in any bank). CKE is synchronous for power down entry and exit, and for self refresh entry. CKE is asynchronous for self refresh exit. CKE must be maintained high throughout read and write accesses. Input buffers, excluding CK, /CK and CKE are disabled during power-down. Input buffers, excluding CKE, are disabled during self-refresh.

DM UDM and LDM (input pins)

DM is an input mask signal for write data. Input data is masked when DM is sampled high coincident with that input data during a Write access. DM is sampled on both edges of DQS. Although DM pins are input only, the DM loading matches the DQ and DQS loading.

For x8 configuration, DM function will be disabled when RDQS function is enabled by EMRS.

In x16 configuration, UDM controls upper byte (DQ8 to DQ15) and LDM controls lower byte (DQ0 to DQ7). In this datasheet, DM represents UDM and LDM.

DQ (input/output pins)

Bi-directional data bus.

DQS, /DQS (UDQS, /UDQS, LDQS, /LDQS (input/output pins)

Output with read data, input with write data for source synchronous operation. Edge-aligned with read data, centered in write data. Used to capture write data. /DQS can be disabled by EMRS.

In x16 configuration, UDQS, /UDQS and LDQS, /LDQS control upper byte (DQ8 to DQ15) and lower byte (DQ0 to DQ7). In this datasheet, DQS represents UDQS and LDQS, and /DQS represents /UDQS and /LDQS.

RDQS, /RDQS (output pins)

Differential Data Strobe for READ operation only. DM and RDQS functions are switch able by EMRS. These pins exist only in x8 configuration /RDQS output will be disabled when /DQS is disabled by EMRS.

ODT (input pins)

ODT (On Die Termination control) is a registered high signal that enables termination resistance internal to the DDR II SDRAM. When enable, ODT is only applied to each DQ, DQS, /DQS, RDQS, /RDQS, and DM signal for x8 configurations. For x16 configuration, ODT is applied to each DQ, UDQS, /UDQS, LDQS, /LDQS, UDM, and LDM signal. The ODT pin will be ignored if the Extended Mode Register (EMRS) is programmed to disable ODT. Any time the EMRS enables the ODT function; ODT may not be driven high until eight clocks after the EMRS has been enabled.

VDD, VSS, VDDQ, VSSQ (power supply)

VDD and VSS are power supply pins for internal circuits. VDDQ and VSSQ are power supply pins for the output buffers.

VDDL and VSSDL (power supply)

VDDL and VSSDL are power supply pins for DLL circuits.

VREF (Power supply)

SSTL₁₈ reference voltage: $(0.50 \pm 0.01) \times VDDQ$

Command Operation

Command Truth Table

The DDR2 SDRAM recognizes the following commands specified by the /CS, /RAS, /CAS, /WE and address pins.

Function	Symbol	CKE		/CS	/RAS	/CAS	/WE	BA0	BA1	A13 to A10		A0 to A9	Notes
		Previous cycle	Current cycle							A11	A10		
Mode register set	MRS	H	H	L	L	L	L	L	L	MRS		1	
										OPCODE			
Extended mode register set(1)	EMRS	H	H	L	L	L	L	H	L	EMRS(1)		1	
										OPCODE			
Extended mode register set(2)	EMRS	H	H	L	L	L	L	L	H	EMRS(2)			
										OPCODE			
Auto refresh	REF	H	H	L	L	L	H	X	X	X	X	X	1
Self refresh entry	SELF	H	L	L	L	L	H	X	X	X	X	X	1
Self refresh exit	SELEX	L	H	H	X	X	X	X	X	X	X	X	1,6
		L	H	L	H	H	H	X	X	X	X	X	
Single bank precharge	PRE	H	H	L	L	H	L	BA		X	L	X	1,2
Precharge all banks	PALL	H	H	L	L	H	L	X	X	X	H	X	1
Bank activate	ACT	H	H	L	L	H	H	BA		RA			1,2,7
Write	WRIT	H	H	L	H	L	L	BA		CA	L	CA	1,2,3
Write with auto precharge	WRITA	H	H	L	H	L	L	BA		CA	H	CA	1,2,3
Read	READ	H	H	L	H	L	H	BA		CA	L	CA	1,2,3
Read with auto precharge	READA	H	H	L	H	L	H	BA		CA	H	CA	1,2,3
No operation	NOP	H	X	L	H	H	H	X	X	X	X	X	1
Device deselect	DESL	H	X	H	X	X	X	X	X	X	X	X	1
Power down mode entry	PDEN	H	L	H	X	X	X	X	X	X	X	X	1,4
		H	L	L	H	H	H	X	X	X	X	X	
Power down mode exit	PDEX	L	H	H	X	X	X	X	X	X	X	X	1,4
		L	H	L	H	H	H	X	X	X	X	X	

Remark: H = VIH. L = VIL. X =VIH or VIL

- Notes:
- All DDR2 commands are defined by states of /CS, /RAS, /CAS, /WE and CKE at the rising edge of the clock.
 - Bank select (BA0 and BA1), determine which bank is to be operated upon.
 - Burst reads or writes should not be terminated other than specified as "Reads interrupted by a Read" in burst read command [READ] or "Writes interrupted by a Write" in burst write command [WRIT].
 - The power down mode does not perform any refresh operations. The duration of power down is therefore limited by the refresh requirements of the device. Once clock delay is required for mode entry and exit.
 - The state of ODT does not affect the states described in this table. The ODT function is not available during self-refresh.
 - Self-refresh exit is asynchronous.
 - 8-bank device sequential bank activation restriction: No more than 4 banks may be activated in a rolling tFAW window. Converting to clocks is done by dividing tFAW (ns) by tCK (ns) and rounding up to next integer value. As an example of the rolling window, if (tFAW/tCK) rounds up to 10 clocks, and an activate command is issued in clock N, no more than three further activate commands may be issued in clock N+1 through N+9.

CKE Truth Table

Current state ²	CKE		Command (n) ³ /CS,/RAS,/CAS,/WE	Operation (n) ³	Notes
	Previous Cycle (n-1) ¹	Current Cycle (n) ¹			
Power down	L	L	x	Maintain power down	11, 13, 14
	L	H	DEL or NOP	Power down exit	4, 8, 11, 13
Self refresh	L	L	x	Maintain self refresh	11,15
	L	H	DESL or NOP	Self refresh exit	4,5,9
Bank Active	H	L	DESL or NOP	Active power down	4,8,10,11,13
All banks idle	H	L	DESL or NOP	Recharge power down entry	4,8,10,11,13
	H	L	SELF	Self refresh entry	6,9,11,13
Any state other than listed above	H	H	Refer to the Command Truth Table		7

Remark: H = VIH. L = VIL. X = Don't care

- Notes
1. CKE (n) is the logic state of CKE at clock n; CKE (n-1) was the state of CKE at the previous clock edge.
 2. Current state is the state of the DDR SDRAM immediately prior to clock edge n.
 3. Command (n) is the command registered at clock edge n, and operation (n) is a result of Command (n).
 4. All states and sequences not shown are illegal or reserved unless explicitly described elsewhere in this document.
 5. On self-refresh exit, [DESL] or [NOP] commands must be issued on every clock edge occurring during the tXSNR period. Read commands may be issued only after tXSRD (200 clocks) is satisfied.
 6. Self refresh mode can only be entered from the all banks idle state.
 7. Must be a legal command as defined in the command truth table.
 8. Valid commands for power down entry and exit are [NOP] and [DESL] only.
 9. Valid commands for self refresh exit are [NOP] and [DESL] only.
 10. Power down and self-refresh can not be entered while read or write operations, (extended) mode register set operations or precharge operations are in progress. See section Power Down and Self Refresh Command for a detailed list of restrictions.
 11. Minimum CKE high time is 3 clocks minimum CKE low time is 3 clocks.
 12. The state of ODT does not affect the states described in this table. The ODT function is not available during self-refresh. See section ODT (On die Termination).
 13. The power down does not perform any refresh operations. The duration of power down mode is therefore limited by the refresh requirements outlined in section automatic refresh command.
 14. "x" means "don't care" (including floating around VREF) in self refresh and power down. However ODT must be driven high or low in power down if the ODT function is enabled (bit A2 or A6 set to "1" in EMRS (1)).

Function Truth Table

The following tables show the operations that are performed when each command is issued in each state of the DDR SDRAM.

Current state	/CS	/RAS	/CAS	/WE	Address	Command	Operation	Note
Idle	H	x	x	x	x	DESL	Nop	
	L	H	H	H	x	NOP	Nop	
	L	H	L	H	BA, CA, A10 (AP)	READ/ READA	ILLEGAL	1
	L	H	L	L	BA, CA, A10 (AP)	WRIT/ WRITA	ILLEGAL	1
	L	L	H	H	BA, RA	ACT	Row activating	
	L	L	H	L	BA	PRE	Nop	
	L	L	H	L	A10 (AP)	PALL	Nop	
	L	L	L	H	x	REF	Auto refresh	2
	L	L	L	H	x	SELF	Self refresh	2
	L	L	L	L	BA, MRS-OPCODE	MRS	Mode register accessing	2
	L	L	L	L	BA, EMRS-OPCODE	EMRS(1) (2)	Extended mode register accessing	2
Bank(s) active	H	x	x	x	x	DESL	Nop	
	L	H	H	H	x	NOP	Nop	
	L	H	L	H	BA, CA, A10 (AP)	READ/ READA	Begin Read	
	L	H	L	L	BA, CA, A10 (AP)	WRIT/ WRITA	Begin Write	
	L	L	H	H	BA, RA	ACT	ILLEGAL	1
	L	L	H	L	BA, A10 (AP)	PRE	Precharge	
	L	L	H	L	A10 (AP)	PALL	Precharge all banks	
	L	L	L	H	x	REF	ILLEGAL	
	L	L	L	H	x	SELF	ILLEGAL	
	L	L	L	L	BA, MRS-OPCODE	MRS	ILLEGAL	
	L	L	L	L	BA, EMRS-OPCODE	EMRS(1) (2)	ILLEGAL	
Read	H	x	x	x	x	DESL	Continue burst to end->Row active	
	L	H	H	H	x	NOP	Continue burst to end->Row active	
	L	H	L	H	BA, CA, A10 (AP)	READ/ READA	Burst interrupt	1,4
	L	H	L	L	BA, CA, A10 (AP)	WRIT/ WRITA	ILLEGAL	1
	L	L	H	H	BA, RA	ACT	ILLEGAL	1
	L	L	H	L	BA	PRE	ILLEGAL	1,8
	L	L	H	L	A10 (AP)	PALL	ILLEGAL	8
	L	L	L	H	X	REF	ILLEGAL	
	L	L	L	H	x	SELF	ILLEGAL	
	L	L	L	L	BA, MRS-OPCODE	MRS	ILLEGAL	
	L	L	L	L	BA, EMRS-OPCODE	EMRS(1) (2)	ILLEGAL	

Current state	/CS	/RAS	/CAS	/WE	Address	Command	Operation	Note
Write	H	x	x	x	x	DESL	Continue burst to end ->Write recovering	
	L	H	H	H	x	NOP	Continue burst to end ->Write recovering	
	L	H	L	H	BA, CA, A10 (AP)	READ/ READA	ILLEGAL	1
	L	H	L	L	BA, CA, A10 (AP)	WRIT/ WRITA	Burst interrupt	1,4
	L	L	H	H	BA, RA	ACT	ILLEGAL	1
	L	L	H	L	BA	PRE	ILLEGAL	1,8
	L	L	H	L	A10 (AP)	PALL	ILLEGAL	8
	L	L	L	H	x	REF	ILLEGAL	
	L	L	L	H	x	SELF	ILLEGAL	
	L	L	L	L	BA, MRS-OPCODE	MRS	ILLEGAL	
Read with auto precharge	L	L	L	L	BA, EMRS-OPCODE	EMRS(1) (2)	ILLEGAL	
	H	x	x	x	x	DESL	Continue burst to end ->Precharging	
	L	H	H	H	x	NOP	Continue burst to end ->Precharging	
	L	H	L	H	BA, CA, A10 (AP)	READ/ READA	ILLEGAL	1,7
	L	H	L	L	BA, CA, A10 (AP)	WRIT/ WRITA	ILLEGAL	1,7
	L	L	H	H	BA, RA	ACT	ILLEGAL	1,7
	L	L	H	L	BA	PRE	ILLEGAL	1,7,8
	L	L	H	L	A10 (AP)	PALL	ILLEGAL	
	L	L	L	H	x	REF	ILLEGAL	
	L	L	L	H	x	SELF	ILLEGAL	
Write with auto precharge	L	L	L	L	BA, MRS-OPCODE	MRS	ILLEGAL	
	L	L	L	L	BA, EMRS-OPCODE	EMRS(1) (2)	ILLEGAL	
	H	x	x	x	x	DESL	Continue burst to end ->Write recovering with auto precharge	
	L	H	H	H	x	NOP	Continue burst to end ->Write recovering with auto precharge	
	L	H	L	H	BA, CA, A10 (AP)	READ/ READA	ILLEGAL	1,7
	L	H	L	L	BA, CA, A10 (AP)	WRIT/ WRITA	ILLEGAL	1,7
	L	L	H	H	BA, RA	ACT	ILLEGAL	1,7
	L	L	H	L	BA	PRE	ILLEGAL	1,7,8
	L	L	H	L	A10 (AP)	PALL	ILLEGAL	
	L	L	L	H	x	REF	ILLEGAL	
L	L	L	H	x	SELF	ILLEGAL		
L	L	L	L	BA, MRS-OPCODE	MRS	ILLEGAL		
L	L	L	L	BA, EMRS-OPCODE	EMRS(1) (2)	ILLEGAL		

Current state	/CS	/RAS	/CAS	/WE	Address	Command	Operation	Note
Precharging	H	x	x	x	x	DESL	Nop->Enter idle after tRP	
	L	H	H	H	x	NOP	Nop->Enter idle after tRP	
	L	H	L	H	BA, CA, A10 (AP)	READ/READA	ILLEGAL	1
	L	H	L	L	BA, CA, A10 (AP)	WRIT/ WRITA	ILLEGAL	1
	L	L	H	H	BA, RA	ACT	ILLEGAL	1
	L	L	H	L	BA	PRE	Nop->Enter idle after tRP	
	L	L	H	L	A10 (AP)	PALL	Nop->Enter idle after tRP	
	L	L	L	H	x	REF	ILLEGAL	
	L	L	L	H	x	SELF	ILLEGAL	
	L	L	L	L	BA, MRS-OPCODE	MRS	ILLEGAL	
	L	L	L	L	BA, EMRS-OPCODE	EMRS(1) (2)	ILLEGAL	
	Row activating	H	x	x	x	x	DESL	Nop->Enter bank active after tRCD
L		H	H	H	x	NOP	Nop->Enter bank active after tRCD	
L		H	L	H	BA, CA, A10 (AP)	READ/READA	ILLEGAL	1,5
L		H	L	L	BA, CA, A10 (AP)	WRIT/ WRITA	ILLEGAL	1,5
L		L	H	H	BA, RA	ACT	ILLEGAL	1
L		L	H	L	BA	PRE	ILLEGAL	
L		L	H	L	A10 (AP)	PALL	ILLEGAL	
L		L	L	H	x	REF	ILLEGAL	
L		L	L	H	x	SELF	ILLEGAL	
L		L	L	L	BA, MRS-OPCODE	MRS	ILLEGAL	
L		L	L	L	BA, EMRS-OPCODE	EMRS(1) (2)	ILLEGAL	
Write recovering		H	x	x	x	x	DESL	Nop->Enter bank active after tWR
	L	H	H	H	x	NOP	Nop->Enter bank active after tWR	
	L	H	L	H	BA, CA, A10 (AP)	READ/READA	ILLEGAL	1,6
	L	H	L	L	BA, CA, A10 (AP)	WRIT/ WRITA	New write	
	L	L	H	H	BA, RA	ACT	ILLEGAL	1
	L	L	H	L	BA	PRE	ILLEGAL	1
	L	L	H	L	A10 (AP)	PALL	ILLEGAL	
	L	L	L	H	x	REF	ILLEGAL	
	L	L	L	H	x	SELF	ILLEGAL	
	L	L	L	L	BA, MRS-OPCODE	MRS	ILLEGAL	
	L	L	L	L	BA, EMRS-OPCODE	EMRS(1) (2)	ILLEGAL	

Current state	/CS	/RAS	/CAS	/WE	Address	Command	Operation	Note
Write recovering With Auto precharge	H	x	x	x	x	DESL	Nop->Enter bank after active after tWR	
	L	H	H	H	x	NOP	Nop->Enter bank after active after tWR	
	L	H	L	H	BA, CA, A10 (AP)	READ/READA	ILLEGAL	1
	L	H	L	L	BA, CA, A10 (AP)	WRIT/ WRITA	ILLEGAL	1
	L	L	H	H	BA, RA	ACT	ILLEGAL	1
	L	L	H	L	BA	PRE	ILLEGAL	1
	L	L	H	L	A10 (AP)	PALL	ILLEGAL	
	L	L	L	H	x	REF	ILLEGAL	
	L	L	L	H	x	SELF	ILLEGAL	
	L	L	L	L	BA, MRS-OPCODE	MRS	ILLEGAL	
Refresh	L	L	L	L	BA, EMRS-OPCODE	EMRS(1) (2)	ILLEGAL	
	H	x	x	x	x	DESL	Nop->Enter idle after tRFC	
	L	H	H	H	x	NOP	Nop->Enter idle after tRFC	
	L	H	L	H	BA, CA, A10 (AP)	READ/READA	ILLEGAL	
	L	H	L	L	BA, CA, A10 (AP)	WRIT/ WRITA	ILLEGAL	
	L	L	H	H	BA, RA	ACT	ILLEGAL	
	L	L	H	L	BA	PRE	ILLEGAL	
	L	L	H	L	A10 (AP)	PALL	ILLEGAL	
	L	L	L	H	x	REF	ILLEGAL	
	L	L	L	H	x	SELF	ILLEGAL	
Mode register accessing	L	L	L	L	BA, MRS-OPCODE	MRS	ILLEGAL	
	L	L	L	L	BA, EMRS-OPCODE	EMRS(1) (2)	ILLEGAL	
	H	x	x	x	x	DESL	Nop->Enter idle after tMRD	
	L	H	H	H	x	NOP	Nop->Enter idle after tMRD	
	L	H	L	H	BA, CA, A10 (AP)	READ/READA	ILLEGAL	
	L	H	L	L	BA, CA, A10 (AP)	WRIT/ WRITA	ILLEGAL	
	L	L	H	H	BA, RA	ACT	ILLEGAL	
	L	L	H	L	BA	PRE	ILLEGAL	
	L	L	H	L	A10 (AP)	PALL	ILLEGAL	
	L	L	L	H	x	REF	ILLEGAL	
L	L	L	H	x	SELF	ILLEGAL		
L	L	L	L	BA, MRS-OPCODE	MRS	ILLEGAL		
L	L	L	L	BA, EMRS-OPCODE	EMRS(1) (2)	ILLEGAL		

Current state	/CS	/RAS	/CAS	/WE	Address	Command	Operation	Note
Extended Mode	H	x	x	x	x	DESL	Nop->Enter idle after tMRD	
Register accessing	L	H	H	H	x	NOP	Nop->Enter idle after tMRD	
	L	H	L	H	BA, CA, A10 (AP)	READ/READA	ILLEGAL	
	L	H	L	L	BA, CA, A10 (AP)	WRIT/WRITA	ILLEGAL	
	L	L	H	H	BA, RA	ACT	ILLEGAL	
	L	L	H	L	BA	PRE	ILLEGAL	
	L	L	H	L	A10 (AP)	PALL	ILLEGAL	
	L	L	L	H	x	REF	ILLEGAL	
	L	L	L	H	x	SELF	ILLEGAL	
	L	L	L	L	BA, MRS-OPCODE	MRS	ILLEGAL	
	L	L	L	L	BA, EMRS-OPCODE	EMRS(1) (2)	ILLEGAL	

Remark: H=VIH, L=VIL, x=VIH or VIL

- Notes: 1. This command may be issued for other banks, depending on the state of the banks.
2. All banks must be in "IDLE".
 3. All AC timing specs must be met.
 4. Only allowed at the boundary of 4 bits burst. Burst interruptions at other timings are illegal.
 5. Available in case tRCD is satisfied by AL setting.
 6. Available in case tWTR is satisfied.
 7. The DDR2 SDRAM supports the concurrent auto-precharge feature, a read with auto-precharge enabled, or a write with auto-precharge enabled, may be followed by any column command to other banks, as long as that command does not interrupt the read or write data transfer, and all other related limitations apply. (E.g. Conflict between READ data and WRITE data must be avoided.)

The minimum delay from a read or write command with auto precharge enabled, to a command to a different bank, is summarized below.

From command	To command (different bank, non-interrupting command)	Minimum delay (Concurrent AP supported)	Units
Read w/AP	Read or Read w/AP	BL/2	tCK
	Write or Write w/AP	(BL/2) + 2	tCK
	Precharge or Activate	1	tCK
Write w/AP	Read or Read w/AP	(CL - 1) + (BL/2) + tWTR	tCK
	Write or Write w/AP	BL/2	tCK
	Precharge or Activate	1	tCK

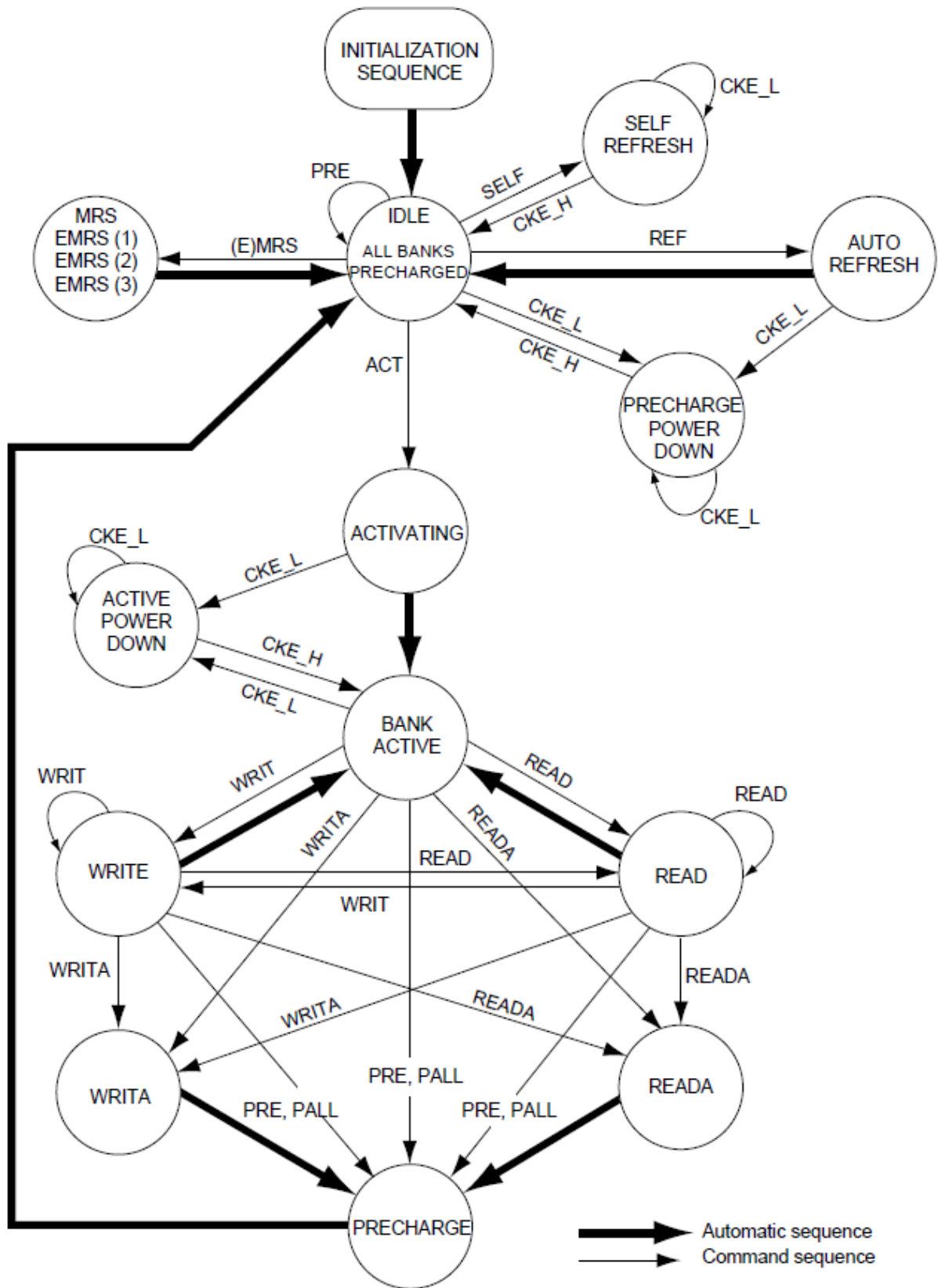
8. The minimum delay from the read, write and precharge command to the precharge command to the same bank is summarized below.

[Precharge and Auto Precharge Clarification]

From command	To command	Minimum delay between "From command" to "To Command"	Units	Notes
Read	Precharge (to same bank as read)	$AL + (BL/2) + \text{Max.}(RTP, 2) - 2$	tCK	a, b
	Precharge all	$AL + (BL/2) + \text{Max.}(RTP, 2) - 2$	tCK	a, b
Read w/AP	Precharge (to same bank as read w/AP)	$AL + (BL/2) + \text{Max.}(RTP, 2) - 2$	tCK	a, b
	Precharge all	$AL + (BL/2) + \text{Max.}(RTP, 2) - 2$	tCK	a, b
Write	Precharge (to same bank as write)	$WL + (BL/2) + tWR$	tCK	b
	Precharge all	$WL + (BL/2) + tWR$	tCK	b
Write w/AP	Precharge (to same bank as write w/AP)	$WL + (BL/2) + WR$	tCK	b
	Precharge all	$WL + (BL/2) + WR$	tCK	b
Precharge	Precharge (to same bank as precharge)	1	tCK	b
	Precharge all	1	tCK	b
Precharge all	Precharge	1	tCK	b
	Precharge all	1	tCK	b

- a. $RTP[\text{cycles}] = RU\{ tRTP[\text{ns}] / tCK[\text{ns}] \}$, where RU stands for round up.
tCK(avg) should be used in place of tCK for DDR2-667/800.
- b. For a given bank, the precharge period should be counted from the latest precharge command, either one bank precharge or precharge all, issued to that bank. The precharge period is satisfied after tRP depending on the latest precharge command issued to that bank.

Simplified State Diagram



Simplified State Diagram

Operation of DDR2 SDRAM

Read and write accesses to the DDR2 SDRAM are burst oriented; accesses start at a selected location and continue for the fixed burst length of four or eight in a programmed sequence. Accesses begin with the registration of an active command, which is then followed by a read or write command. The address bits registered coincident with the active command is used to select the bank and row to be accessed (BA0 and BA1 select the bank; A0 to A13 select the row). The address bits registered coincident with the read or write command are used to select the starting column location for the burst access and to determine if the auto precharge command is to be issued.

Prior to normal operation, the DDR2 SDRAM must be initialized. The following sections provide detailed information covering device initialization; register definition, command descriptions and device operation.

Power On and Initialization

DDR2 SDRAMs must be powered up and initialized in a predefined manner. Operational procedures other than those specified may result in undefined operation.

Power-Up and Initialization Sequence

The following sequence is required for power up and initialization

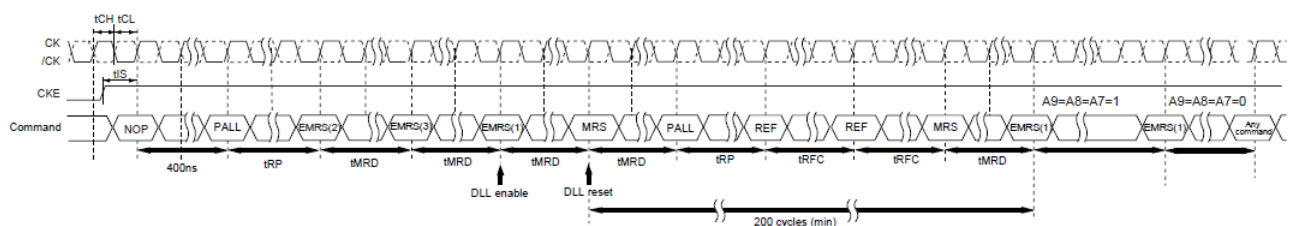
1. Apply power and attempt to maintain CKE below $0.2 \times VDDQ$ and $ODT \overline{1}$ at a low state (all other inputs may be undefined).
 - VDD, VDDL and VDDQ are driven from a single power converter output, AND
 - VTT is limited to 0.95V max, AND
 - VREF tracks VDDQ/2.

or

 - Apply VDD before or at the same time as VDDL.
 - Apply VDDL before or at the same time as VDDQ.
 - Apply VDDQ before or at the same time as VTT and VREF.

at least one of these two sets of conditions must be met.
2. Start clock and maintain stable condition
3. For the minimum of 200µs after stable power and clock(CK, /CK), then apply [NOP] or [DESL] and take CKE high.
4. Wait minimum of 400ns then issue precharge all command. [NOP] or [DESL] applied during 400ns period.
5. Issue EMRS(2) command. (To issue EMRS(2) command, provide low to BA0, high to BA1.)
6. Issue EMRS(3) command. (To issue EMRS(3) command, provide high to BA0 and BA1.)
7. Issue EMRS to enable DLL. (To issue DLL enable command, provide low to A0, high to BA0 and low to BA1 and A13.)
8. Issue a mode register set command for DLL reset. (To issue DLL reset command, provide high to A8 and low to BA0, BA1 and A13.)
9. Issue precharge all command.
10. Issue 2 or more auto-refresh commands.
11. Issue a mode register set command with low to A8 to initialize device operation. (i.e. to program operating parameters without resetting the DLL.)
12. At least 200 clocks after step 8, issue EMRS (1) command with A9 = A8 = A7 = 1. Then issue EMRS (1) command with A9 = A8 = A7 = 0 with other operating parameters of EMRS (1).
13. The DDR2 SDRAM is now ready for normal operation.

Note: 1.To guarantee ODT off, VREF must be valid and a low level must be applied to the ODT pin.



Power up and Initialization Sequence

Programming the Mode Register and Extended Mode Registers

For application flexibility, burst length, burst type, /CAS latency, DLL reset function, write recovery time (tWR) are user defined variables and must be programmed with a mode register set command [MRS]. Additionally, DLL disable function, driver impedance, additive /CAS latency, ODT (On Die Termination), and single-ended strobe are also user defined variables and must be programmed with an extended mode register set command [EMRS]. Contents of the Mode Register (MR) or Extended Mode Registers (EMRS(#)) can be altered by reexecuting the MRS and EMRS commands. If the user chooses to modify only a subset of the MRS or EMRS variables, all variables must be redefined when the MRS or EMRS commands are issued.

MRS, EMRS and Reset DLL do not affect array contents, which means reinitialization including those can be executed any time after power-up without affecting array contents.

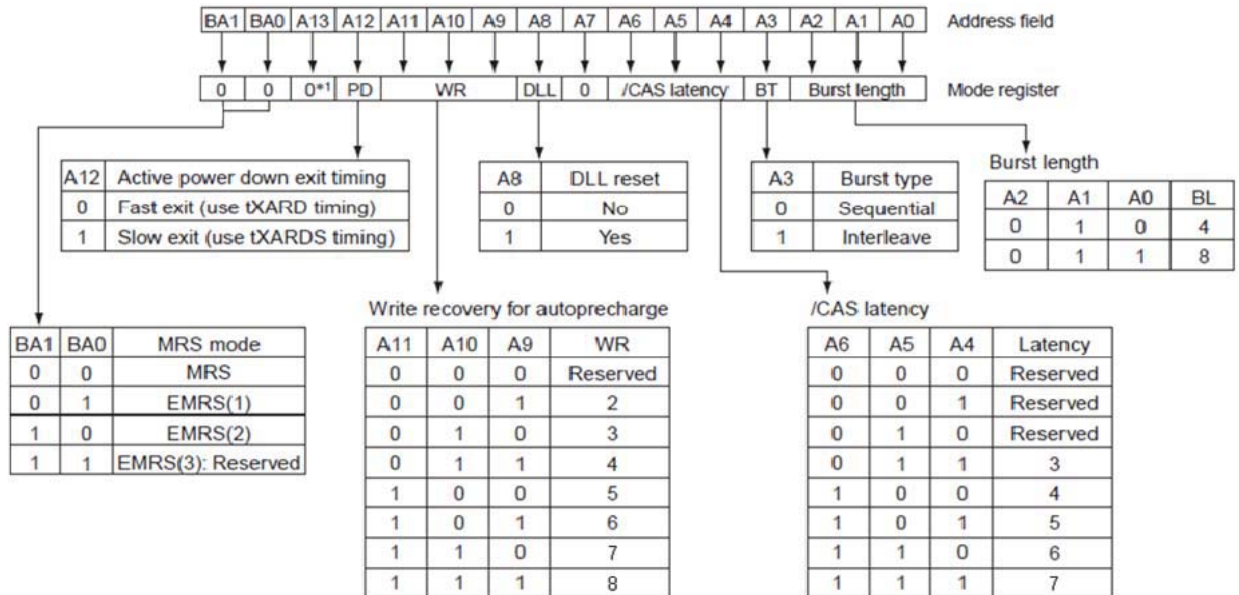
DDR2 SDRAM Mode Register Set [MRS]

The mode register stores the data for controlling the various operating modes of DDRS2 SDRAM. It controls /CAS latency, burst length, burst sequence, test mode, DLL reset, tWR and various vendor specific options to make DDR2 SDRAM useful for various applications. The default value of the mode register is not defined, therefore the mode register must be written after power-up for proper operation. The mode register is written by asserting low on /CS, /RAS, /CAS, WE, BA0, and BA1, while controlling the state of address pins A0 to A13.

The DDR2 SDRAM should be in all bank precharge with CKE already high prior to writing into the mode register.

The mode register set command cycle time (tMRD) is required to complete the write operation to the mode register.

The mode register contents can be changed using the same command and clock cycle requirements during normal operation as long as all banks are in the precharge state. The mode register is divided into various fields depending on functionality. Burst length is defined by A0 to A2 with options of 4 and 8 bit burst lengths. The burst length decodes are compatible with DDR SDRAM. Burst address sequence type is defined by A3, /CAS latency is defined by A4 to A6. The DDR2 doesn't support half clock latency mode. A8 is used for DLL reset. Write recovery time tWR is defined by A9 to A11. Refer to the table for specific codes.

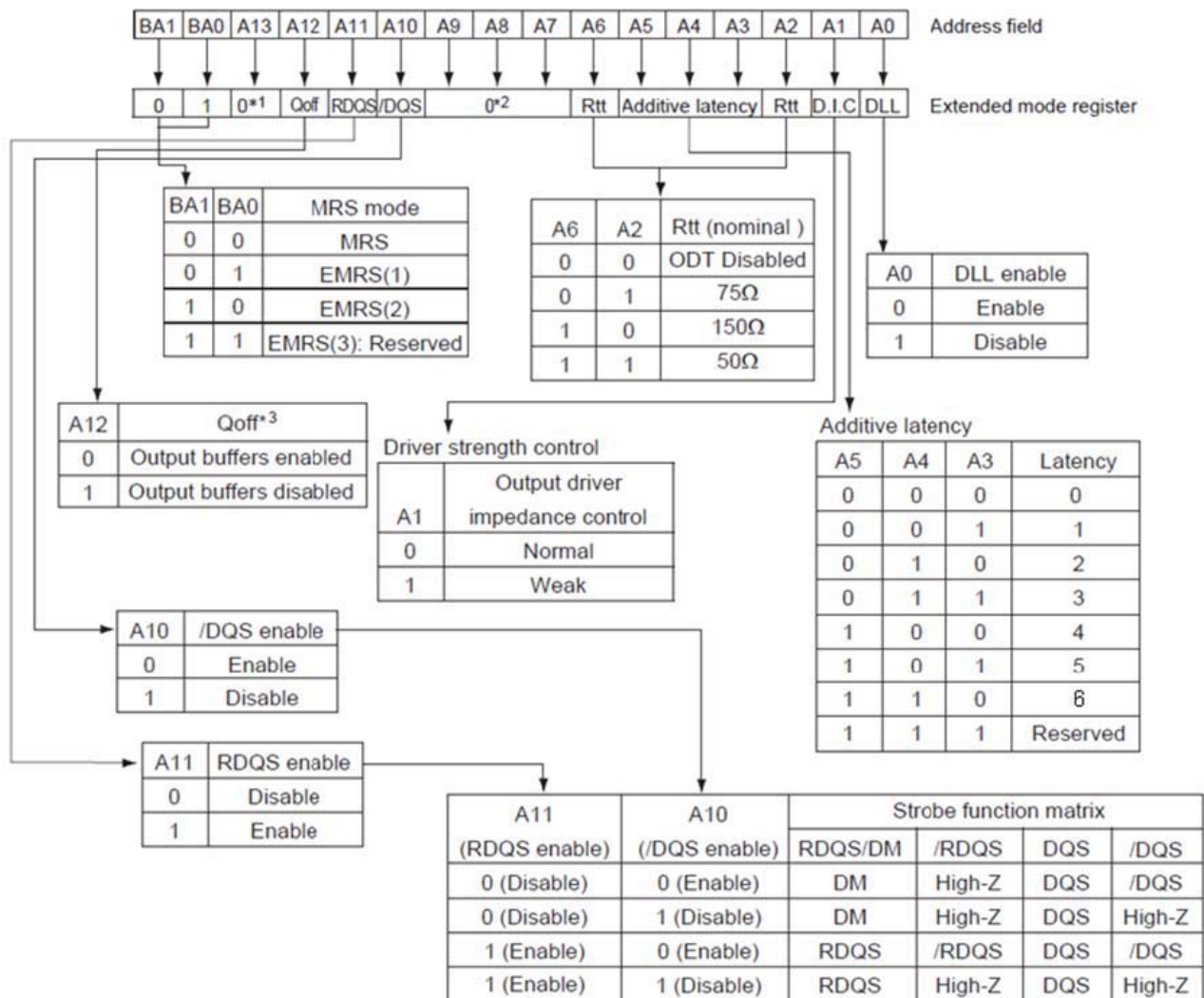


- Notes: 1. A13 is reserved for future use and must be programmed to 0 when setting the mode register.
 2. WR (min.) (Write Recovery for autoprecharge) is determined by tCK (max.) and WR (max.) is determined by tCK (min.). WR in clock cycles is calculated by dividing tWR (in ns) by tCK (in ns) and rounding up to the next integer (WR [cycles] = tWR (ns) / tCK (ns)).
 The mode register must be programmed to this value. This is also used with tRP to determine tDAL.

Mode Register Set (MRS)

**DDR2 SDRAM Extended Mode Register [MRS]
EMRS (1) Programming**

The extended mode register (1) stores the data for enabling or disabling the DLL, output driver strength, additive latency, ODT, /DQS disable, RDQS enable. The default value of the extended mode register (1) is not defined, therefore the extended mode register (1) must be written after power-up for proper operation. The extended mode register (1) is written by asserting low on /CS, /RAS, /CAS, /WE, high on BA0 and low on BA1 while controlling the states of address pins A0 to A13. The DDR2 SDRAM should be in all bank percharge with CKE already high prior to writing into the extended mode register (1). The mode register set command cycle time (tMRD) must be satisfied to complete the write operation to the extended mode register (1). Mode register contents can be changed using the same command and clock cycle requirements during normal operation as long as all banks are in the precharge state. A0 is used for DLL enable or disable. A1 is used for setting output driver strength. A3 to A5 determines the additive latency. A10 is used for /DQS enable or disable. A11 is used for RDQS enable. A2 and A6 are use for ODT setting.



- Notes: 1. A13 are reserved for future use, and must be programmed to 0 when setting the extended mode register.
 2. It must be set to 1 first, and then set to 0 in initialization.
 Refer to the Power-Up and Initialization Sequence for detailed information.
 3. Output disabled – DQ, DQS, /DQS, RDQS, /RDQS. This feature is used in conjunction with DIMM IDD measurements when IDDQ is not desired to be included.

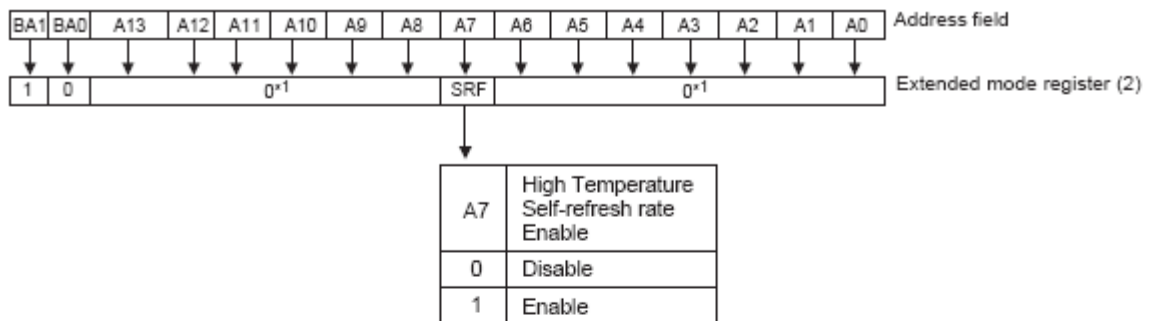
EMRS(1)

DLL Enable/Disable

The DLL must be enabled for normal operation. DLL enable is required during power up initialization, and upon returning to normal operation after having the DLL disabled. The DLL is automatically disabled when entering self refresh operation and is automatically re-enabled upon exit of self-refresh operation Any time the DLL is enabled (and subsequently reset), 200 clock cycles must occur before a read command can be issued to allow time for the internal clock to be synchronized with the external clock. Failing to wait for synchronization to occur may result in a violation of the tAC or tDQSK parameters.

EMRS (2) Programming ^{*1}

The extended mode register (2) controls refresh related features. The default value of the extended mode register(2) is not defined, therefore the extended mode register (2) must be written after power-up for proper operation. The extended mode register (2) is written by asserting low on CS, /RAS, /CAS, /WE, high on BA1 and low on BA0 while controlling the states of address pins A0 to A13. The DDR2 SDRAM should be in all bank precharge with CKE already high prior to writing into the extended mode register (2). The mode register set command cycle time (tMRD) must be satisfied to complete the write operation to the extended mode register (2). Mode register contents can be changed using the same command and clock cycle requirements during normal operation as long as all banks are in the precharge state.



Note: 1 The rest bits in EMRS (2) is reserved for future use and all bits in EMRS (2) except A7, BA0 and BA1 must be programmed to 0 when setting the extended mode register (2) during initialization.

EMRS(2)

EMRS (3) Programming: Reserved^{*1}



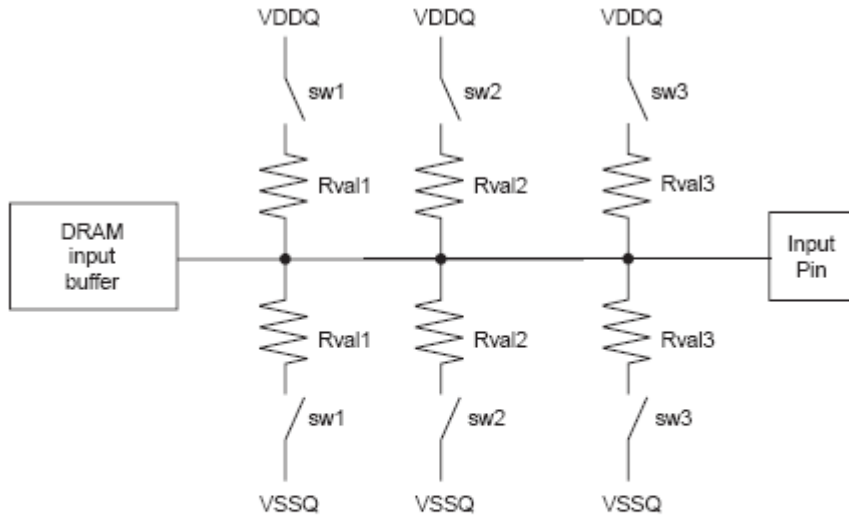
Note : 1. EMRS (3) is reserved for future use and all bits except BA0 and BA1 must be programmed to 0 when setting the mode register during initialization.

EMRS (3)

ODT (On Die Termination)

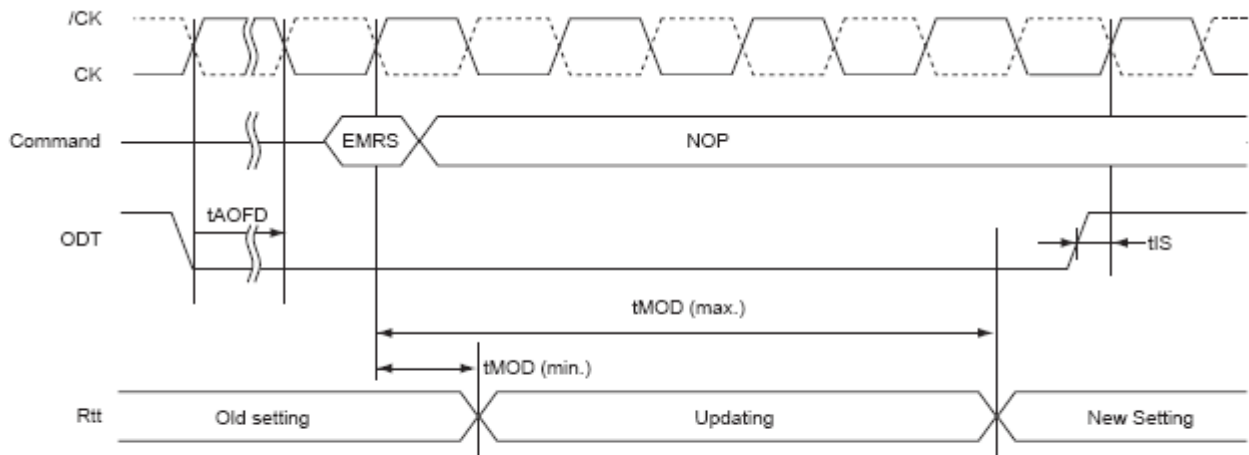
On Die Termination (ODT), is a feature that allows a DRAM to turn on/off termination resistance for each DQ, DQS,/DQS, RDQS, /RDQS, and DM signal via the ODT control pin. The ODT feature is designed to improve signal integrity of the memory channel by allowing the DRAM controller to independently turn on/off termination resistance for any or all DRAM devices.

The ODT function is turned off and not supported in self-refresh mode.



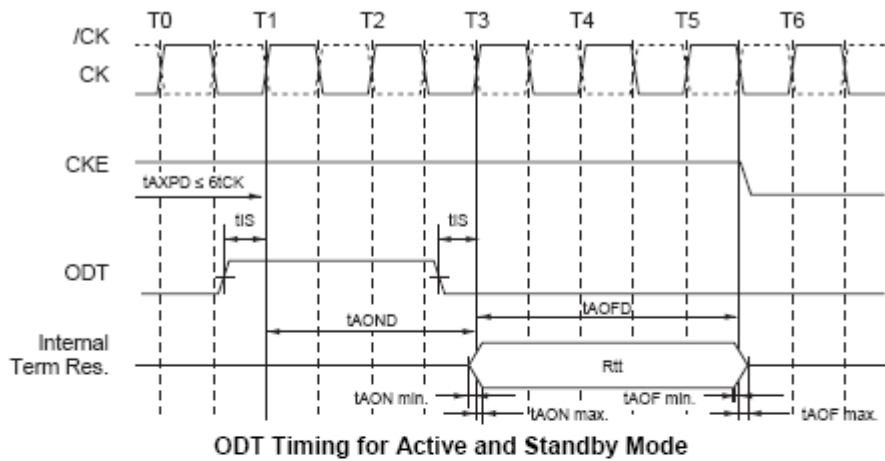
Switch sw1, sw2 or sw3 is enabled by ODT pin.
 Selection between sw1, sw2 or sw3 is determined by Rtt (nominal) in EMRS
 Termination included on all DQs, DM, DQS, /DQS, RDQS and /RDQS pins.
 Target Rtt (Ω) = (Rval1) / 2, (Rval2) / 2 or (Rval3) / 2

Functional Representation of ODT

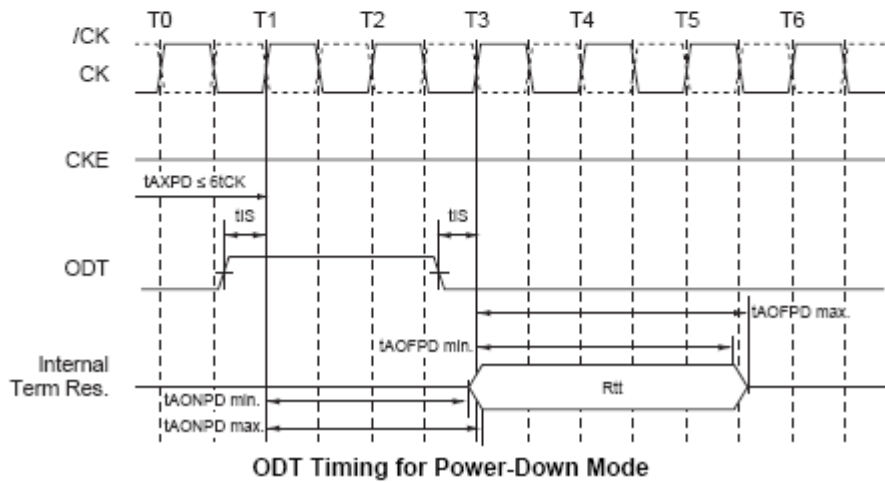


Note: tAOFD must be met before issuing EMRS command. ODT must remain low for the entire duration of tMOD window.

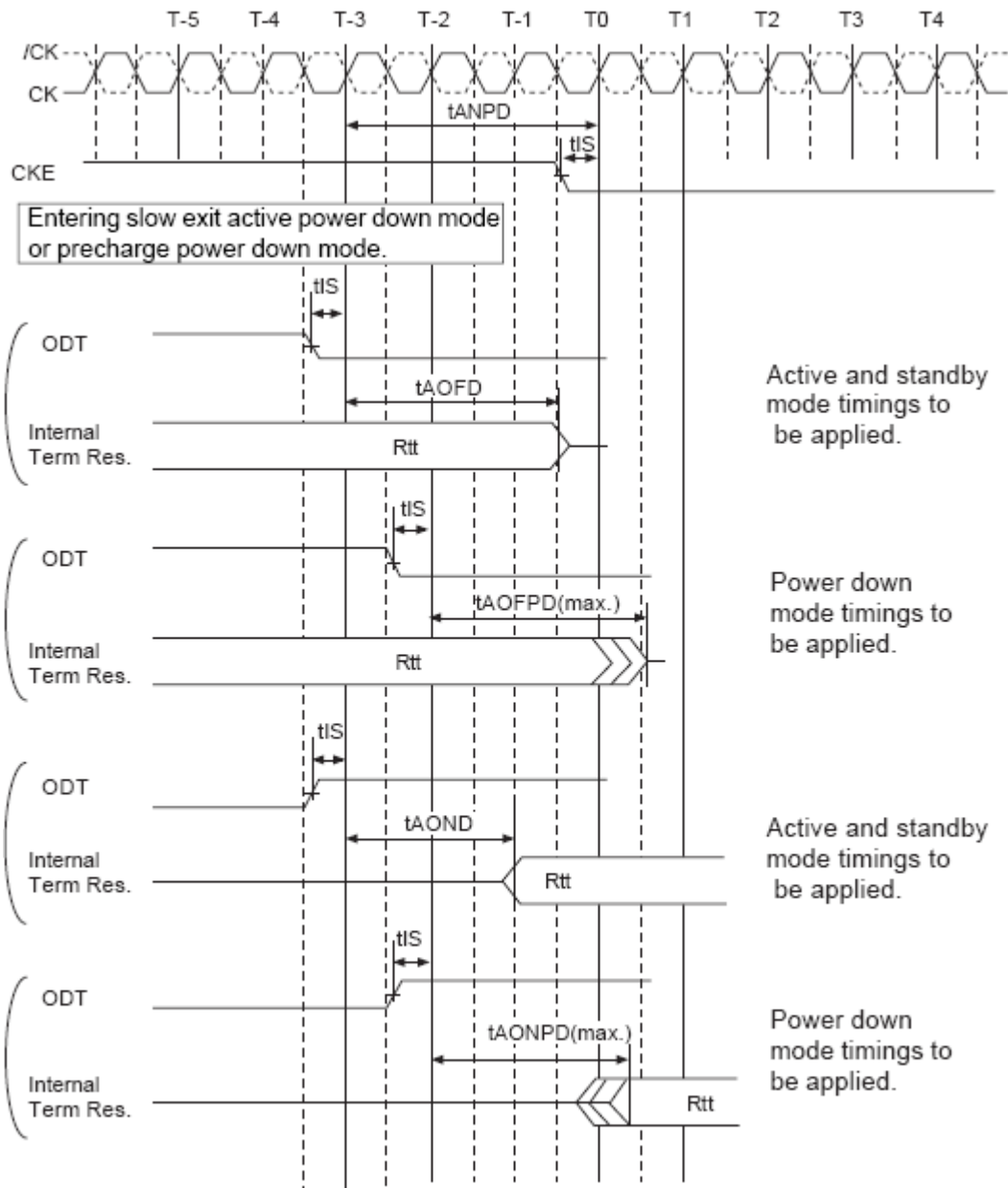
ODT update Delay Timing



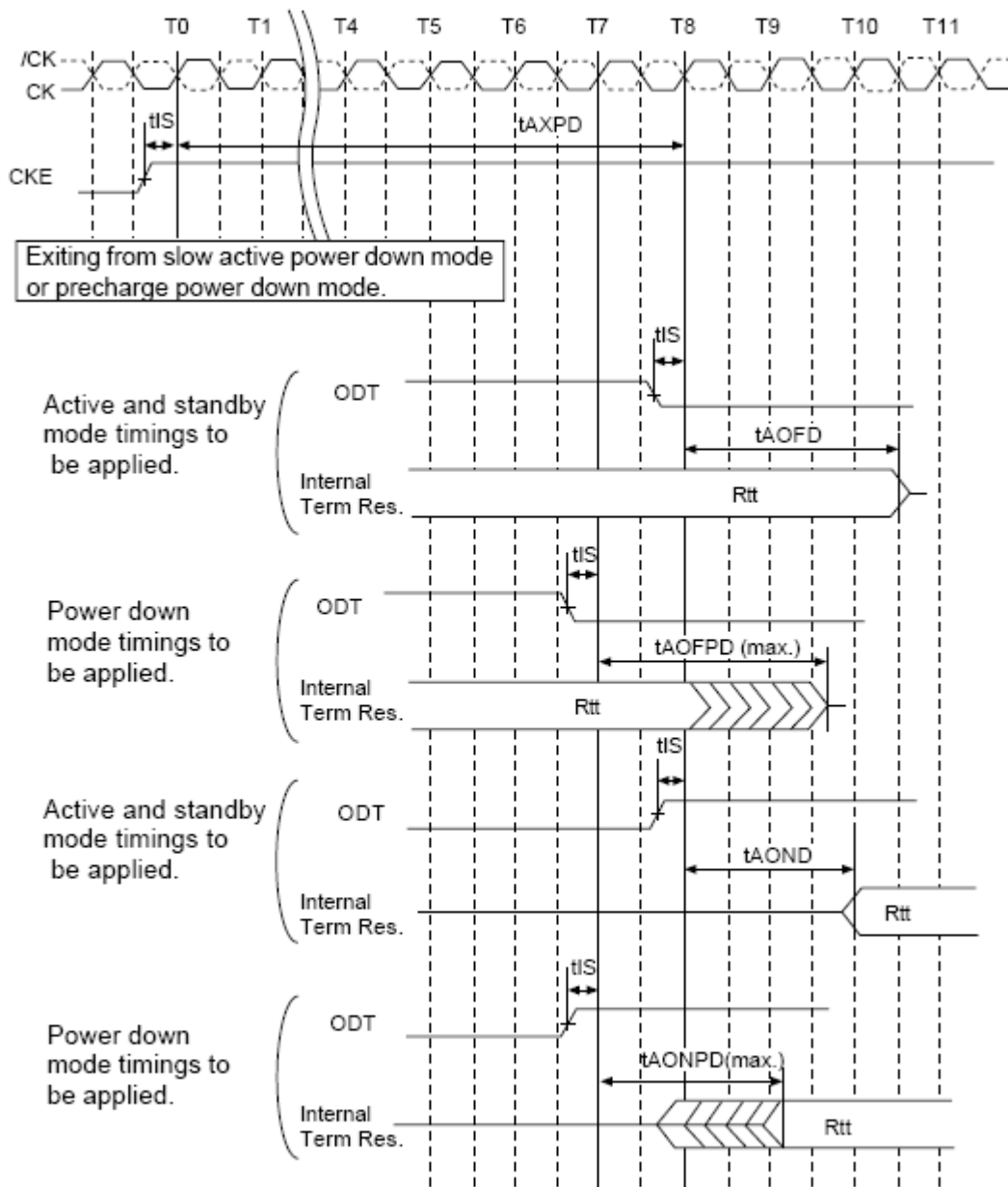
ODT Timing for Active and Standby Mode



ODT Timing for Power-Down Mode



ODT Timing Mode Switch at Entering Power-Down Mode



ODT Timing Mode Switch at Exiting Power-Down Mode

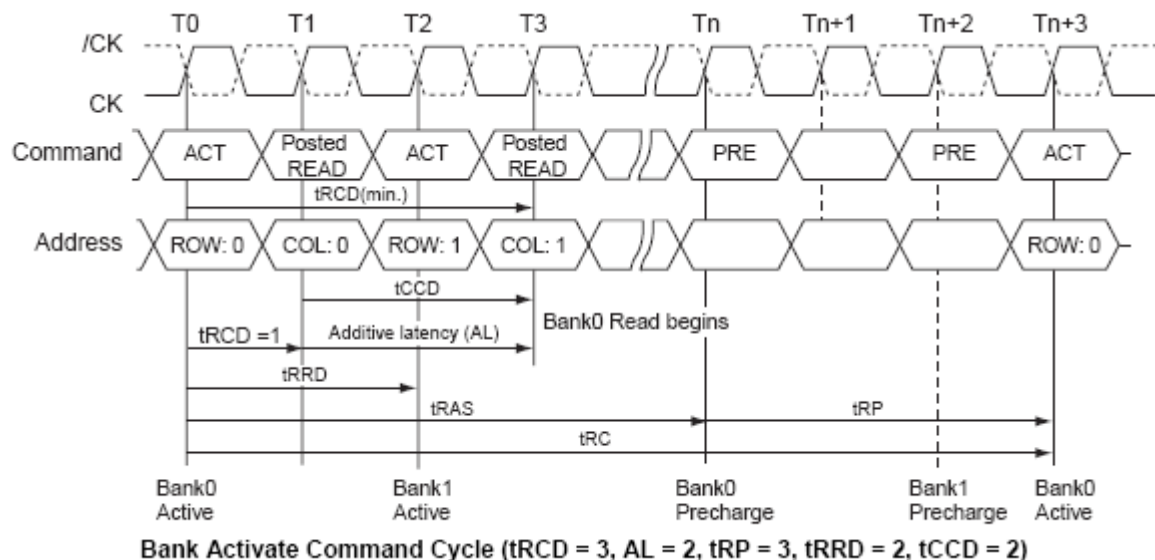
Bank Activate Command [ACT]

The bank activate command is issued by holding /CAS and /WE high with /CS and /RAS lo at the rising edge of the clock. The bank addresses BA0, and BA1 are used to select the desired bank. The row address A0 through A13 is used to determine which row to activate in the selected bank. The Bank activate command must be applied before any read or write operation can be executed. Immediately after the bank active command, the DDR2 SDRAM can accept a read or write command on the following clock cycle. If a R/W command is issued to a bank that has not satisfied the tRCD (min.) specification, then additive latency must be programmed into the device to delay when the R/W command is internally issued to the device. The additive latency value must be chosen to assure tRCD(min.) is satisfied. Additive latencies of 0, 1, 2, 3, 4, and 5 are supported. Once a bank has been activated it must be precharged before another bank activate command can be applied to the same bank. The bank active and precharge times are defined as tRAS and tRP, respectively. The minimum time interval between successive bank activate commands to the same bank is determined by the /RAS cycle time of the device (tRC), which is equal to tRAS + tRP. The minimum time interval between successive bank activate commands to the different bank is determined by (tRRD).

In order to ensure that 8-bank devices do not exceed the instantaneous current supplying capability of 4-bank devices, a restriction on the number of sequential ACT commands that can be issued must be observed. The rule is as follows:

Note: 8-bank device sequential bank activation restriction: No more than 4 banks may be activated in a rolling tFAW window. Converting to clocks is done by dividing tFAW (ns) by tCK (ns) and rounding up to next integer value. As an example of the rolling window, if (tFAW/tCK) rounds up to 10 clocks, and an activate command is issued in clock N, no more than three further activate commands may be issued in clock N+1 through N+9.

8-bank device precharge all allowance: tRP for a precharge all command will equal to tRP+1x tCK and tRP is the value for a single bank precharge.



Read and Write Access Modes

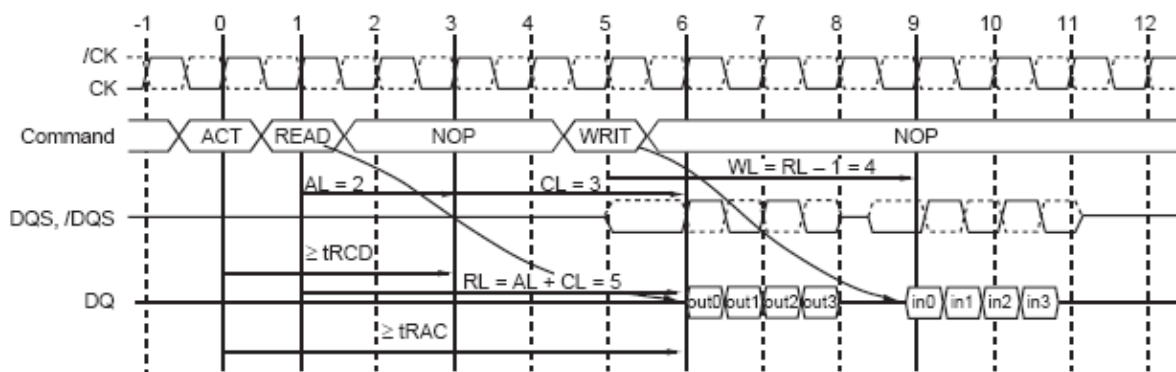
After a bank has been activated, a read or write cycle can be executed. This is accomplished by setting /RAS high, /CS and /CAS low at the clock's rising edge. /WE must also be defined at this time to determine whether the access cycle is a read operation (/WE high) or a write operation (/WE low).

The DDR2 SDRAM provides a fast column access operation. A single read or write command will initiate a serial read or write operation on successive clock cycles. The boundary of the burst cycle is strictly restricted to specific segments of the page length. For example, the 8M bits x 16 I/O x 4banks chip has a page length of 1024 bits (defined by CA0 to CA9). The page length of 1024 is divided into 256 uniquely addressable boundary segments (4 bits each). A 4 bits burst operation will occur entirely within one of the 256 groups beginning with the column address supplied to the device during the read or write command (CA0 to CA9). The second, third and fourth access will also occur within this group segment, however, the burst order is a function of the starting address, and the burst sequence.

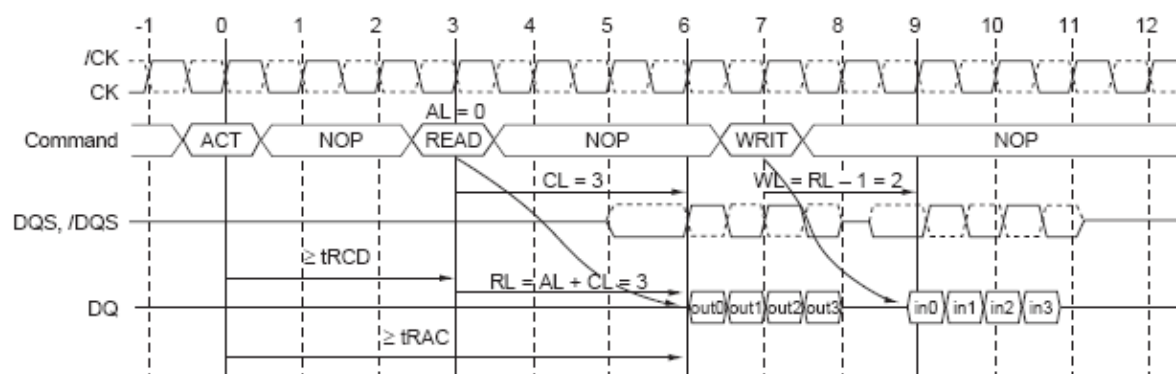
A new burst access must not interrupt the previous 4-bit operation. The minimum /CAS to /CAS delay is defined by tCCD, and is a minimum of 2 clocks for read or write cycles.

Posted /CAS

Posted /CAS operation is supported to make command and data bus efficient for sustainable bandwidths in DDR2 SDRAM. In this operation, the DDR2 SDRAM allows a /CAS read or write command to be issued immediately after the /RAS bank activate command (or any time during the /RAS-/CAS-delay time, tRCD, period). The command is held for the time of the Additive Latency (AL) before it is issued inside the device. The Read Latency (RL) is controlled by the sum of AL and the /CAS latency (CL). Therefore if a user chooses to issue a R/W command before the tRCD (min), then AL (greater than 0) must be written into the EMRS. The Write Latency (WL) is always defined as RL - 1 (read latency-1) where read latency is defined as the sum of additive latency plus /CAS latency (RL = AL + CL).



Read Followed by a Write to the Same Bank
[AL = 2 and CL = 3, RL = (AL + CL) = 5, WL = (RL - 1) = 4]



Read Followed by a Write to the Same Bank
[AL = 0 and CL = 3, RL = (AL + CL) = 3, WL = (RL - 1) = 2]

Burst Mode Operation

Burst mode operation is used to provide a constant flow of data to memory locations (write cycle), or from memory locations (read cycle). The parameters that define how the burst mode will operate are burst sequence and burst length. DDR2 SDRAM supports 4 bits burst and 8bits burst modes only For 8 bits burst mode, full interleave address ordering is supported, however, sequential address ordering is nibble based for ease of implementation. The burst type, either sequential or interleaved, is programmable and defined by the address bit 3(A3) of the MRS, which is similar to the DDR-1 SDRAM operation. Seamless burst read or write operations are supported.

Unlike DDR-1 devices, interruption of a burst read or writes operation is limited to ready by Read or Write by write at the boundary of Burst 4. Therefore the burst stop command is not supported on DDR2 SDRAM devices.

[Burst Length and Sequence]

Burst length	Starting address(A2, A1, A0)	Sequential addressing(decimal)	Interleave addressing (decimal)
4	000	0,1,2,3	0,1,2,3
	001	1,2,3,0	1,0,3,2
	010	2,3,0,1	2,3,0,1
	011	3,0,1,2	3,2,1,0
8	000	0,1,2,3,4,5,6,7	0,1,2,3,4,5,6,7
	001	1,2,3,0,5,6,7,4	1,0,3,2,5,4,7,6
	010	2,3,0,1,6,7,4,5	2,3,0,1,6,7,4,5
	011	3,0,1,2,7,4,5,6	3,2,1,0,7,6,5,4
	100	4,5,6,7,0,1,2,3	4,5,6,7,0,1,2,3
	101	5,6,7,4,1,2,3,0	5,4,7,6,1,0,3,2
	110	6,7,4,5,2,3,0,1	6,7,4,5,2,3,0,1
	111	7,4,5,6,3,0,1,2	7,6,5,4,3,2,1,0

Note: Page length is a function if I/O organization and column addressing

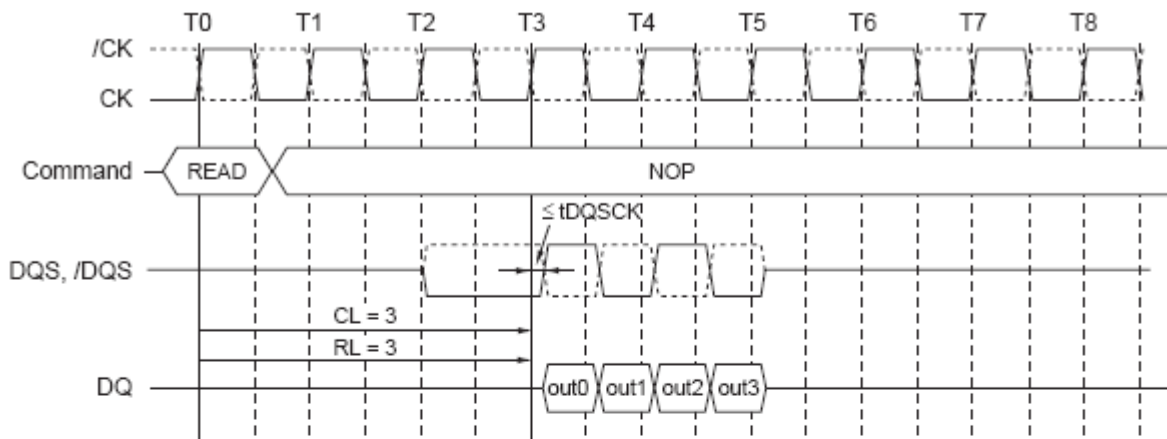
16M bits x 8 organization (CA0 to CA9); Page Length=1024 bits

8M bits x 16 organization (CA0 to CA9); Page Length=1024 bits

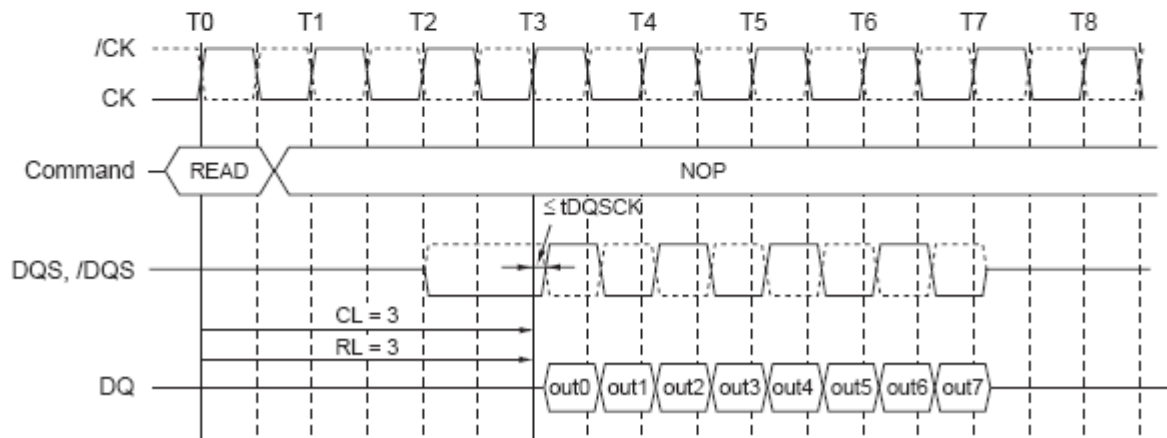
Burst Read Command [READ]

The Burst Read command is initiated by having /CS and /CAS low while holding /RAS and /WE high at the rising edge of the clock. The address inputs determine the starting column address for the burst. The delay from the start of the command to when the data from the first cell appears on the output is equal to the value of the read latency (RL). The data strobe output (DQS) is driven low 1 clock cycle before valid data (DQ) is driven onto the data bus. The first bit of the burst is synchronized with the rising edge of the data strobe (DQS). Each subsequent data-out appears on the DQ pin in phase with the DQS signal in a source synchronous manner.

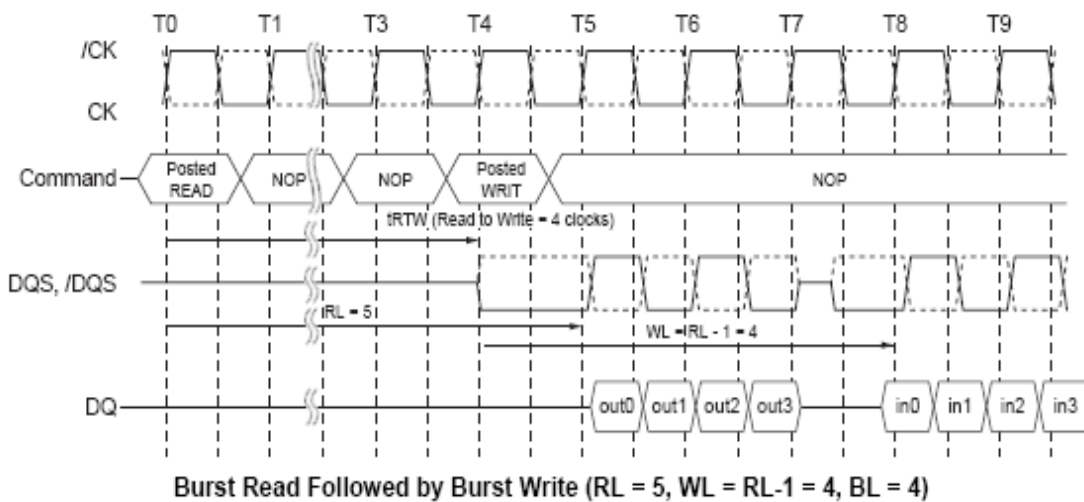
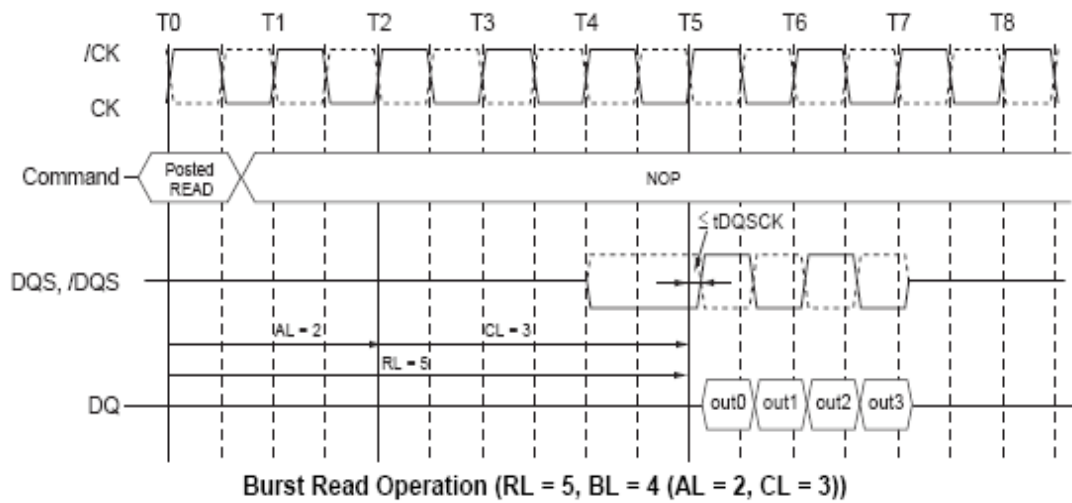
The RL is equal to an additive latency (AL) plus /CAS latency (CL) The CL is defined by the mode register set (MRS), similar to the existing SDR and DDR-1 SDRAMs. The AL is defined by the extended mode register set (EMRS).



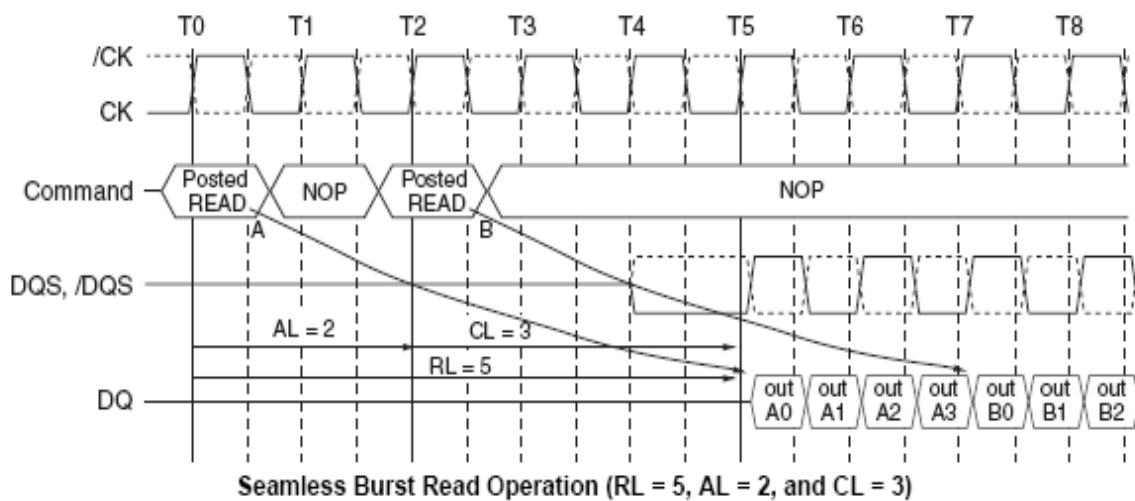
Burst Read Operation (RL = 3, BL = 4 (AL = 0 and CL = 3))



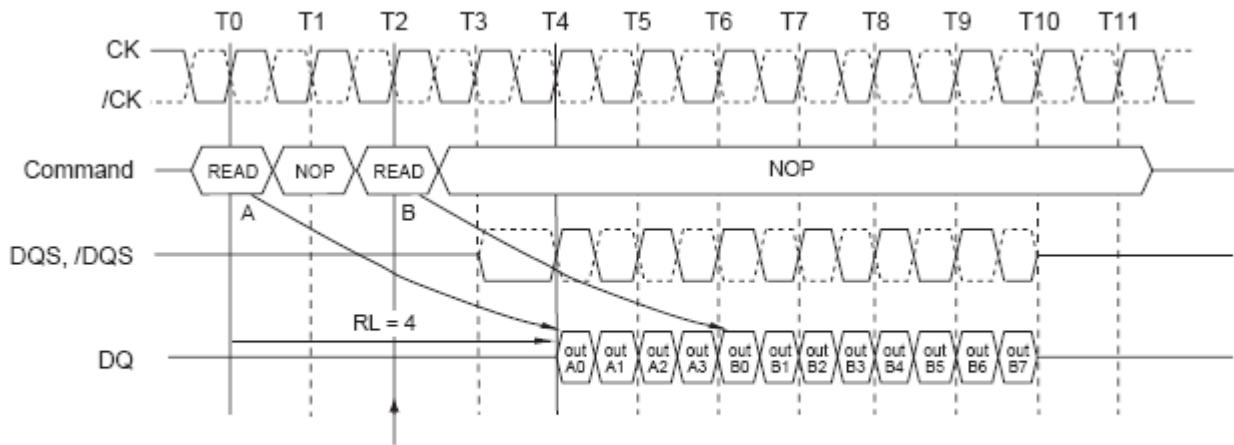
Burst Read Operation (RL = 3, BL = 8 (AL = 0 and CL = 3))



The minimum time from the burst read command to the burst write command is defined by a read-to-write-turn-around-time, which is 4 clocks in the case of BL = 4 operation, 6 clocks in case of BL = 8 operation.



Enabling a read command at every other clock supports the seamless burst read operation. This operation is allowed regardless of same or different banks as long as the banks are activated.



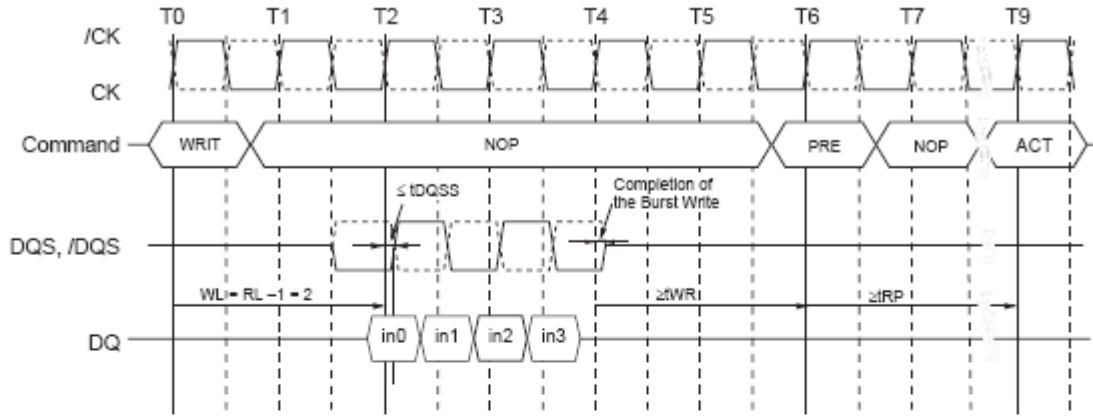
Burst interrupt is only allowed at this timing.

Burst Read Interrupt by Read

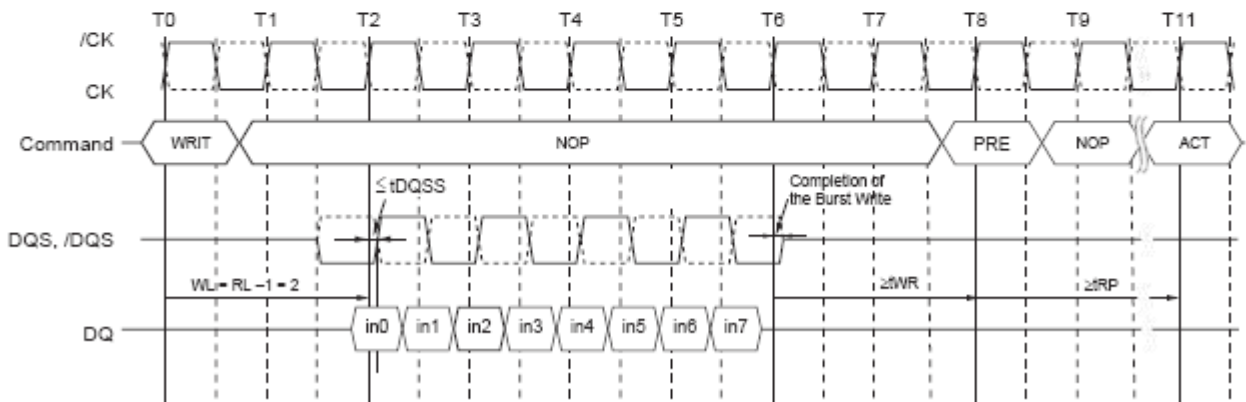
- Notes:
1. Read burst interrupt function is only allowed on burst of 8. burst interrupt of 4 is prohibited.
 2. Read burst of 8 can only be interrupted by another read command. Read burst interruption by write command or precharge command is prohibited.
 3. Read burst interrupt must occur exactly two clocks after previous read command. Any other read burst interrupt timings are prohibited.
 4. Read burst interruption is allowed to any bank inside DRAM.
 5. Read burst with auto precharge enabled is not allowed to interrupt.
 6. Read burst interruption is allowed by another read with auto precharge command.
 7. All command timings are referenced to burst length set in the mode register. They are not referenced to actual burst. For example, minimum read to precharge timing is $AL + BL/2$ where BL is the burst length set in the mode register and not the actual burst (which is shorter because of interrupt).

Burst Write Command [WRIT]

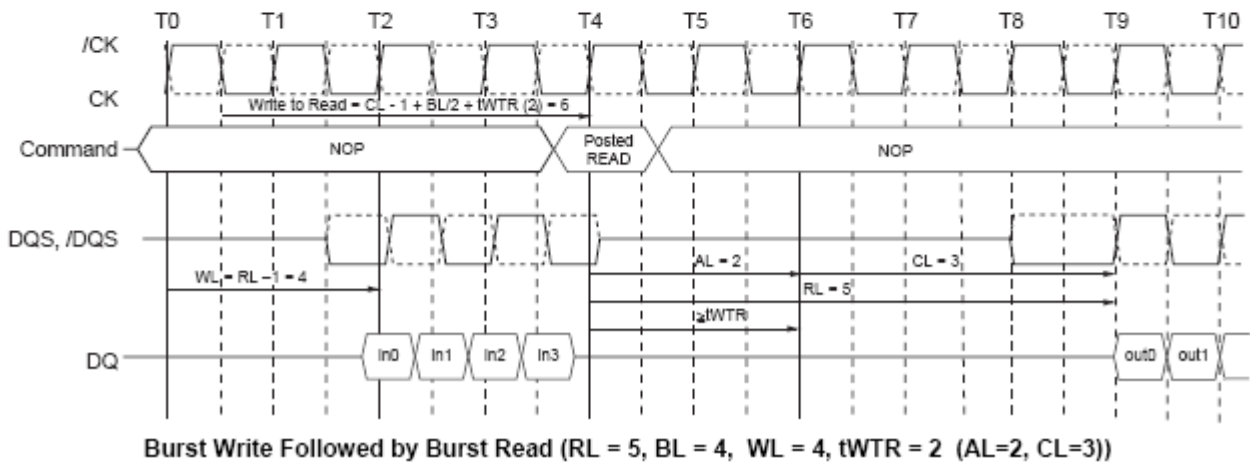
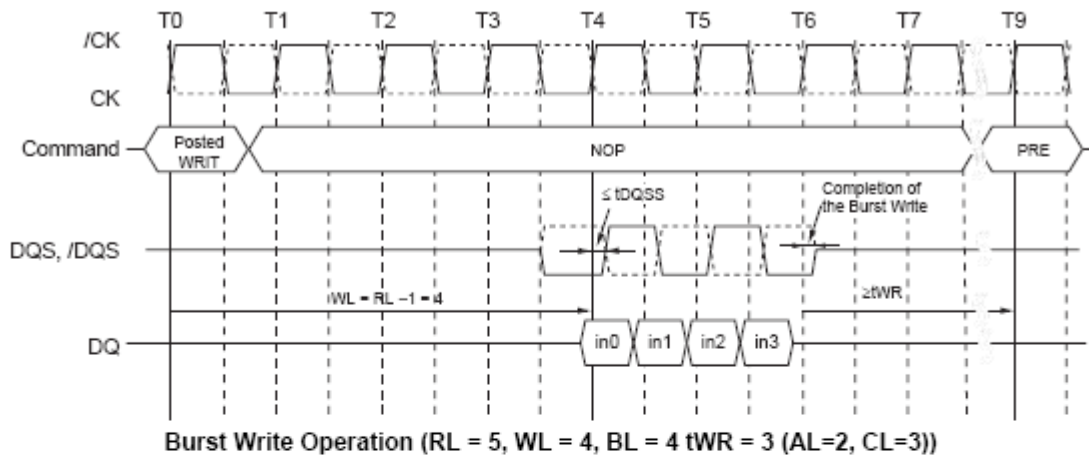
The Burst Write command is initiated by having /CS, /CAS and /WE low while holding /RAS high at the rising edge of the clock. The address inputs determine the starting column address. Write latency (WL) is defined by a read latency (RL) minus one and is equal to $(AL + CL - 1)$. A data strobe signal (DQS) should be driven low (preamble) one clock prior to the WL. The first data bit of the burst cycle must be applied to the DQ pins at the first rising edge of the DQS following the preamble. The t_{DQSS} specification must be satisfied for write cycles. The subsequent burst bit data are issued on successive edge of the DQS until the burst length of 4 is completed. When the burst has finished, any additional data supplied to the DQ pins will be ignored. The DQ Signal is ignored after the burst write operation is complete. The time from the completion of the burst write to bank precharge is the write recovery time (tWR).



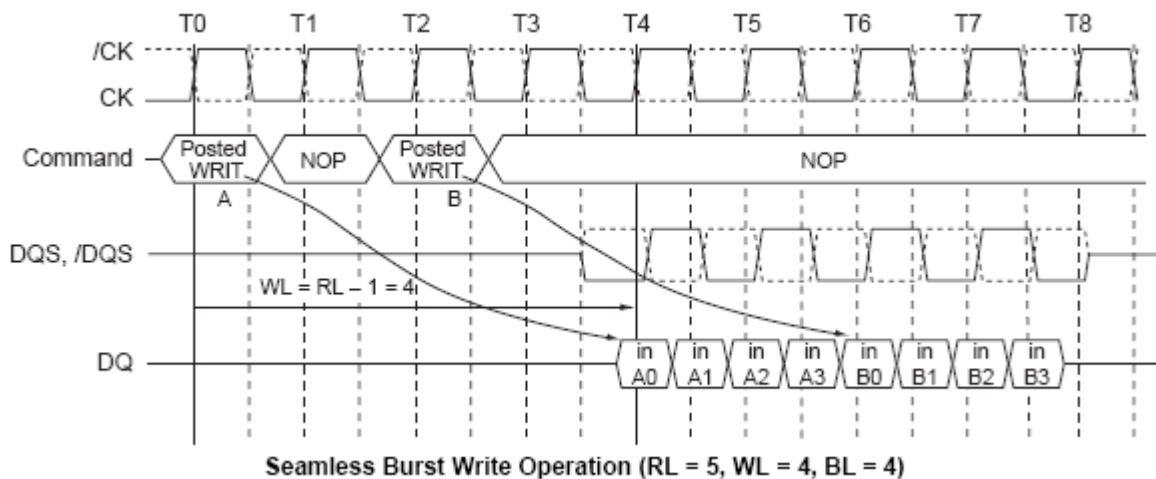
Burst Write Operation (RL = 3, WL = 2, BL = 4 tWR = 2 (AL=0, CL=3))



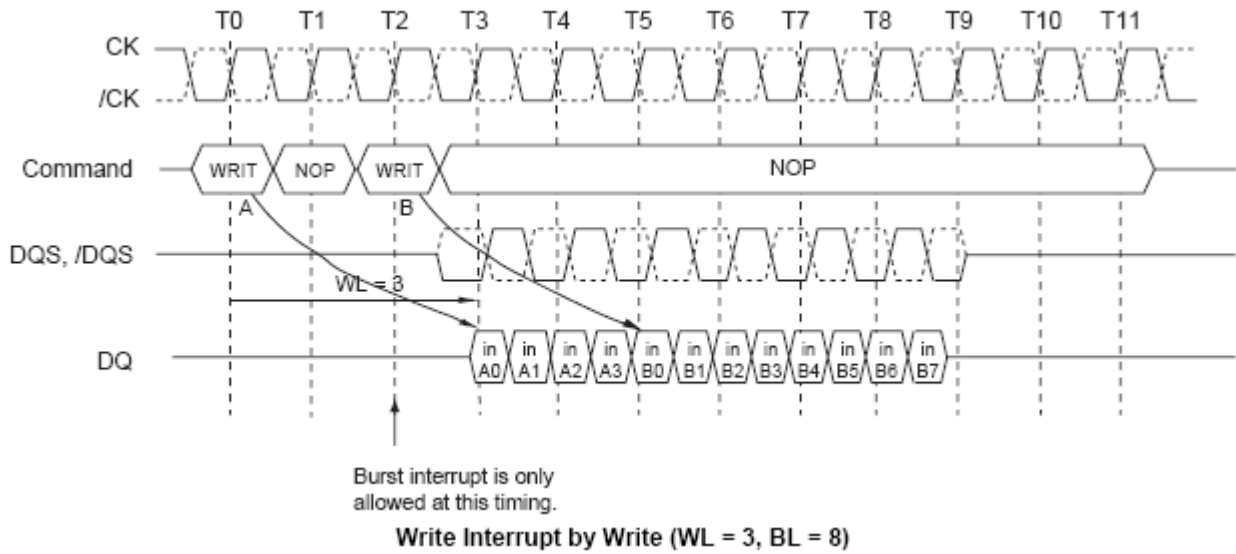
Burst Write Operation (RL = 3, WL = 2, BL = 8 (AL=0, CL=3))



The minimum number of clock from the burst write command to the burst read command is $CL - 1 + BL/2 +$ a write to-read- turn-around-time (tWTR). This tWTR is not a write recovery time (tWR) but the time required to transfer the 4bit write data from the input buffer into sense amplifiers in the array.



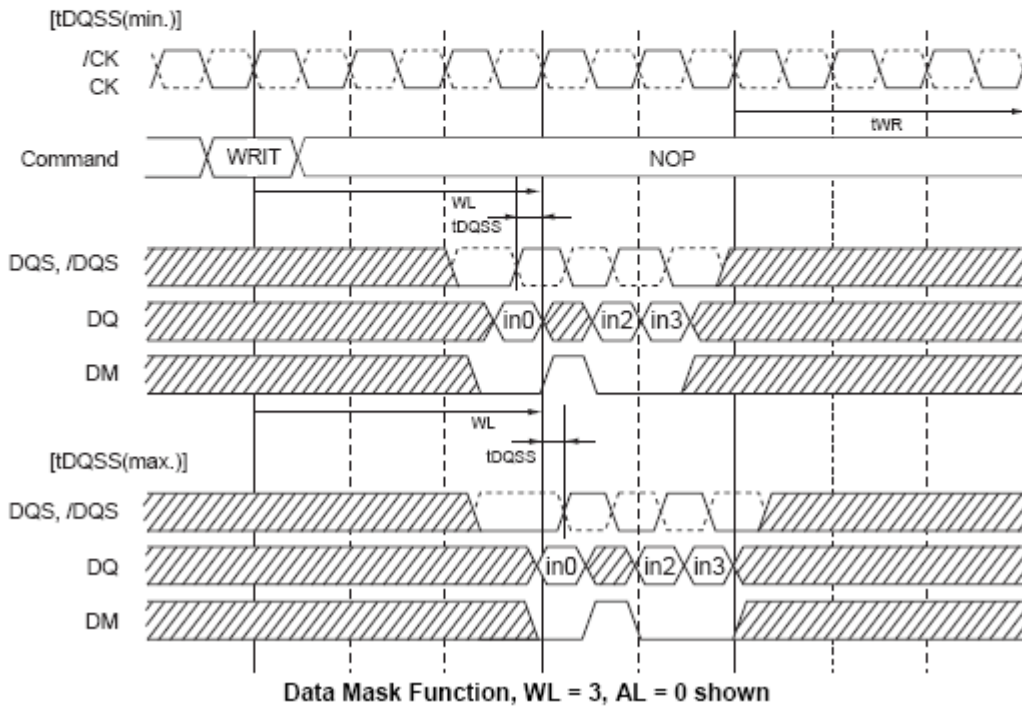
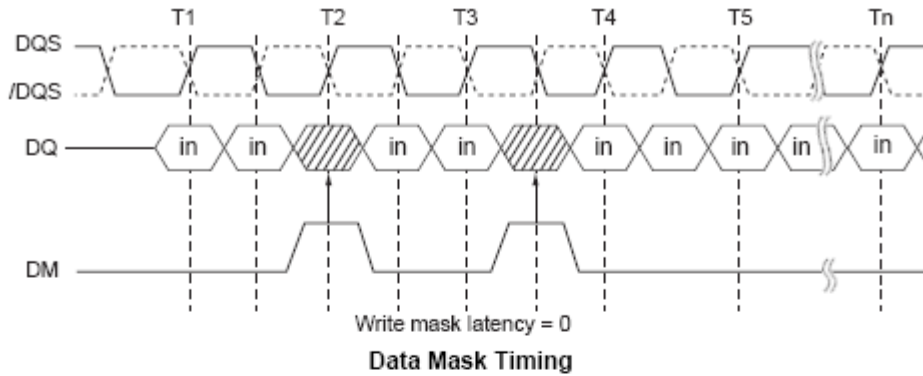
Enabling a write command every other clock supports the seamless burst write operation. This operation is allowed regardless of same or different banks as long as the banks are activated.



- Notes:
1. Write burst interrupt function is only allowed on burst of 8. Burst interrupt of 4 is prohibited.
 2. Write burst of 8 can only be interrupted by another write command. Write burst interruption by read command or precharge command is prohibited.
 3. Write burst interrupt must occur exactly two clocks after previous write command. Any other write burst interrupt timings are prohibited.
 4. Write burst interruption is allowed to any bank inside DRAM.
 5. Write burst with auto precharge enabled is not allowed to interrupt.
 6. Write burst interruption is allowed by another write with auto precharge command.
 7. All command timings are referenced to burst length set in the mode register. They are not referenced to actual burst. For example, minimum write to precharge timing is $WL + BL/2 + tWR$ where tWR starts with the rising clock after the un-interrupted burst end and not from the end of actual burst end.

Write Data Mask

One write data mask (DM) pin for each 8 data bits (DQ) will be supported on DDR2 SDRAMs, Consistent with the implementation on DDR-1 SDRAMs. It has identical timings on write operations as the data bits, and though used in a unidirectional manner, is internally loaded identically to data bits to insure matched system timing. DM is not used during read cycles.



Precharge command [PRE]

The precharge command is used to precharge or close a bank that has been activated. The precharge command is triggered when /CS, /RAS and /WE are low and /CAS is high at the rising edge of the clock. The precharge command can be used to precharge each bank independently or all banks simultaneously. Three address bits A10, BA0, and BA1 are used to define which bank to precharge when the command is issued.

[Bank Selection for Precharge by Address Bits]

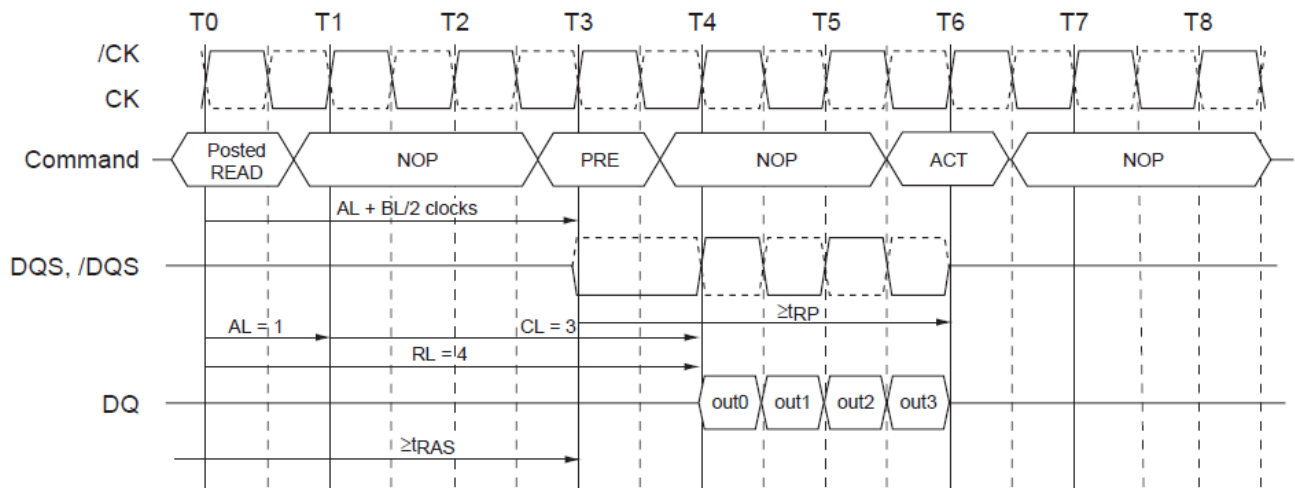
A10	BA0	BA1	Precharged Bank(s)
L	L	L	Bank 0 only
L	H	L	Bank 1 only
L	L	H	Bank 2 only
L	H	H	Bank 3 only
H	x	x	All banks 0 to 7

Remark: H: VIH, L:VIL, x: VIH or VIL

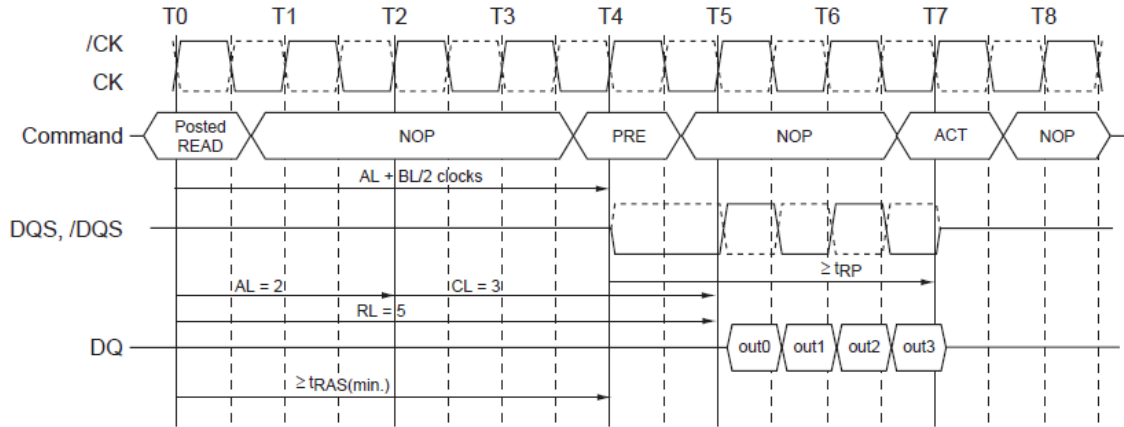
Burst Read Operation Followed by Precharge

Minimum read to precharge command spacing to the same bank = $AL + BL/2 + \max(RTP, 2) - 2$ clocks

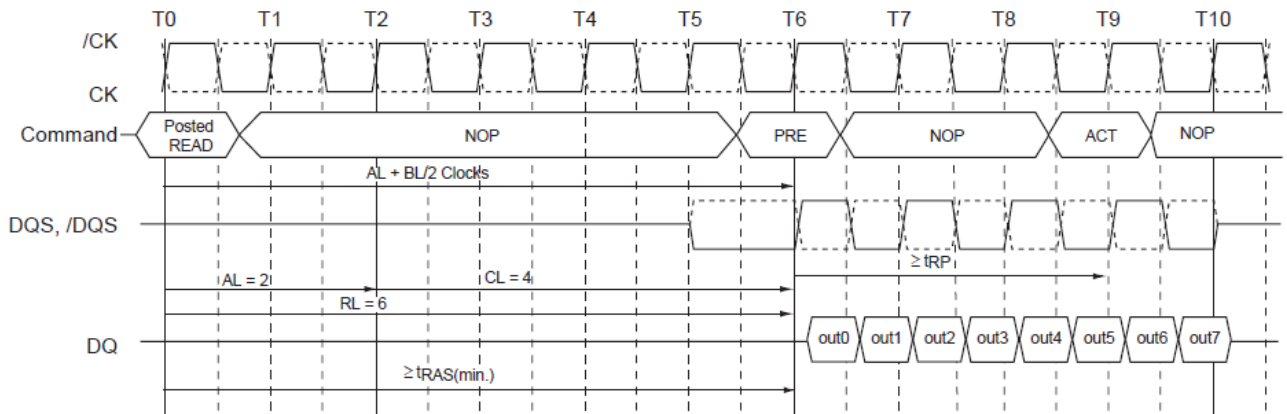
For the earliest possible precharge, the precharge command may be issued on the rising edge that is “Additive latency (AL) + $BL/2 + \max(RTP, 2) - 2$ clocks” after a Read command. A new bank active (command) may be issued to the same bank after the RAS precharge time (tRP). A precharge command cannot be issued until tRAS is satisfied.



Burst Read Operation Followed by Precharge (RL = 4, BL = 4 (AL=1, CL=3))



Burst Read Operation Followed by Precharge (RL = 5, BL = 4 (AL=2, CL=3))

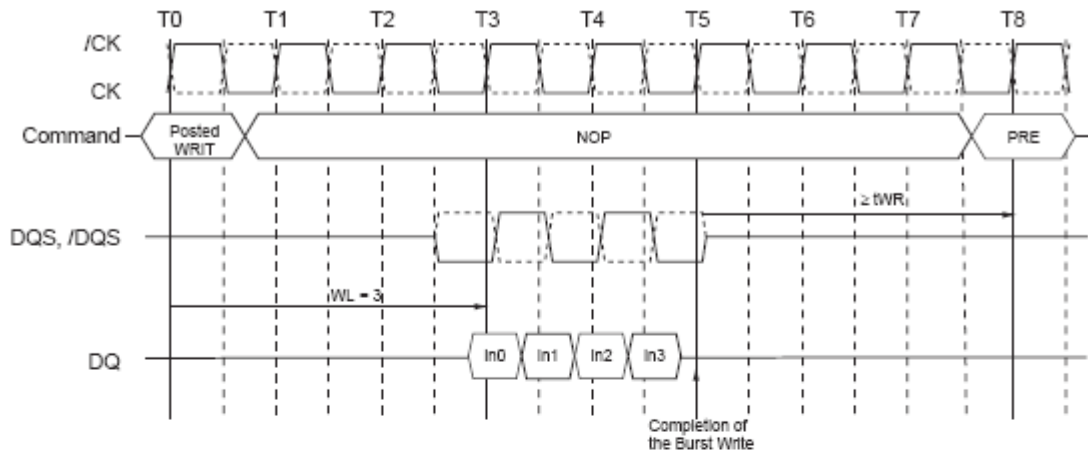


Burst Read Operation Followed by Precharge (RL = 6 (AL=2, CL=4, BL=8))

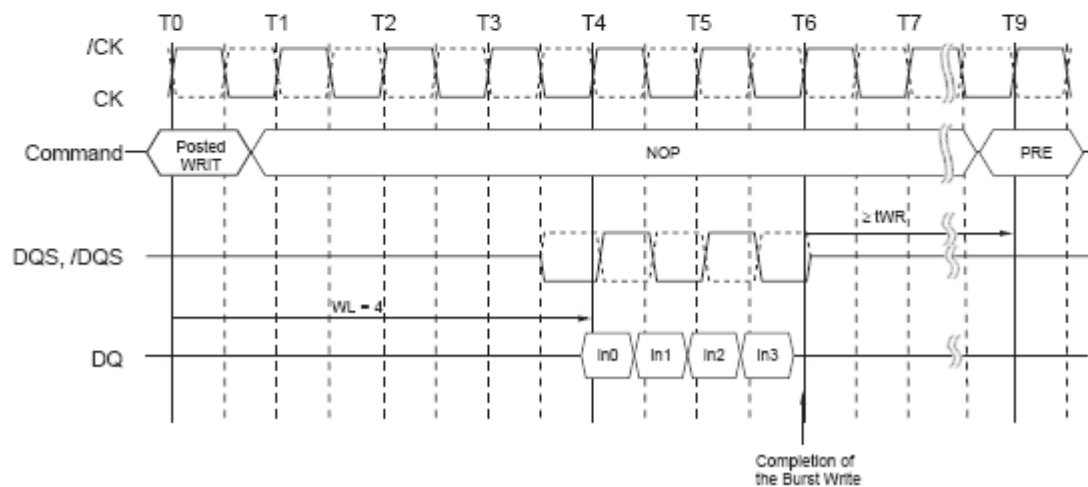
Burst Write followed by Precharge

Minimum Write to Precharge Command spacing to the same bank = $WL + B/2$ clocks + tWR

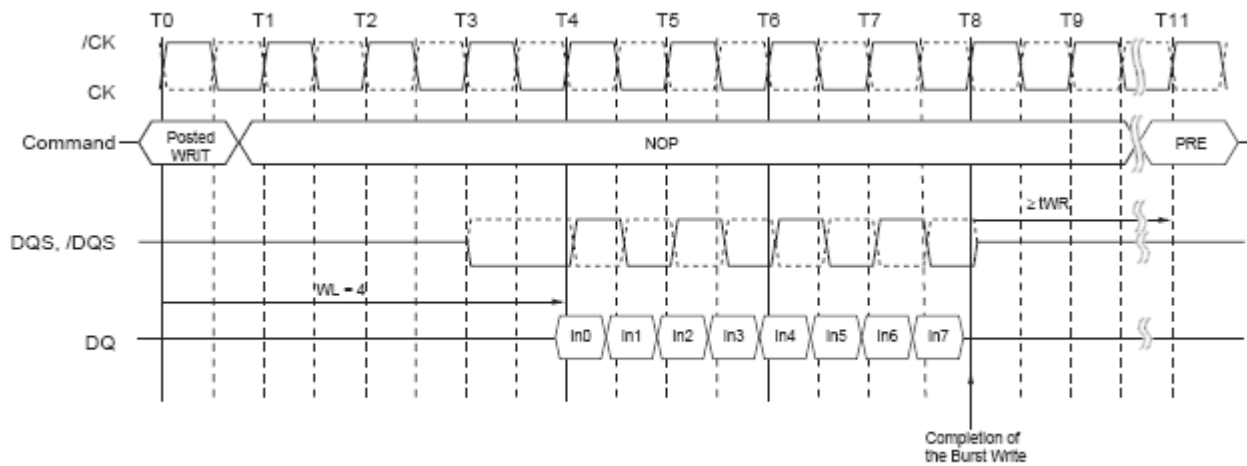
For write cycles, a delay must be satisfied from the completion of the last burst write cycle until the precharge command can be issued. This delay is known as a write recovery time (tWR) referenced from the completion of the burst write to the precharge command. No precharge command should be issued prior to the tWR delay, as DDR2 SDRAM allows the burst interrupt operation only Read by Read or Write by Write at the boundary of burst 4.



Burst Write Followed by Precharge (WL = (RL-1) = 3)



Burst Write Followed by Precharge (WL = (RL-1) = 4)



Burst Write Followed by Precharge (WL = (RL-1) = 4, BL = 8)

Auto-Precharge Operation

Before a new row in an active bank can be opened, the active bank must be precharged using either the precharge command or the auto-precharge function. When a read or a write command is given to the DDR2 SDRAM, the /CAS timing accepts one extra address, column address A10, to allow the active bank to automatically begin precharge at the earliest possible moment during the burst read or write cycle. If A10 is low when the read or write Command is issued, then normal read or write burst operation is executed and the bank remains active at the completion of the burst sequence. If A10 is high when the Read or Write Command is issued, then the auto-precharge function is engaged. During auto-precharge, a read Command will execute as normal with the exception that the active bank will begin to precharge on the rising edge which is /CAS latency (CL) clock cycles before the end of the read burst.

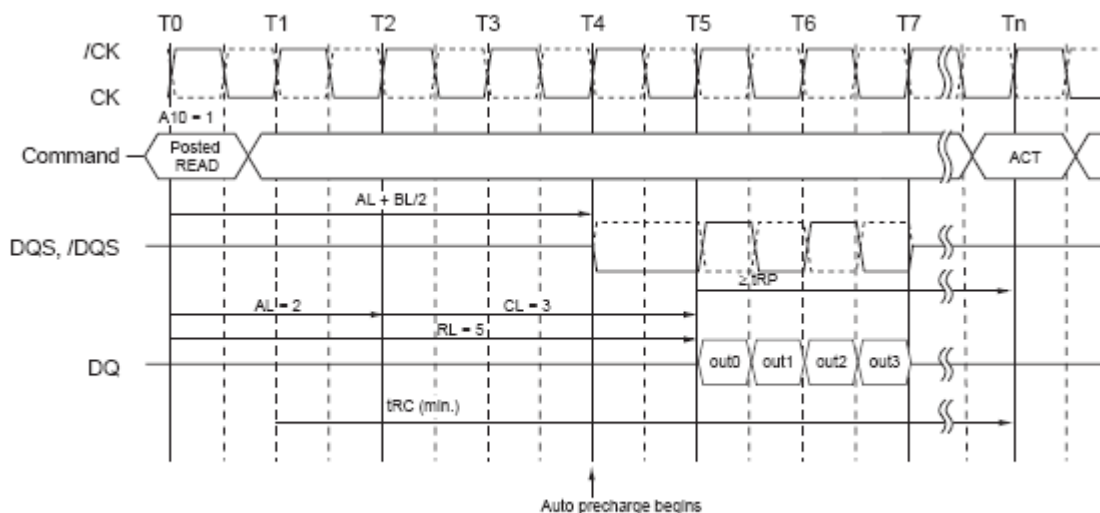
Auto-precharge can also be implemented during Write commands. The precharge operation engaged by the Auto precharge command will not begin until the last data of the burst write sequence is properly stored in the memory array.

This feature allows the precharge operation to be partially or completely hidden during burst read cycles (dependent upon /CAS latency) thus improving system performance for random data access. The /RAS lockout circuit internally delays the Precharge operation until the array restore operation has been completed so that the auto precharge command may be issued with any read or write command

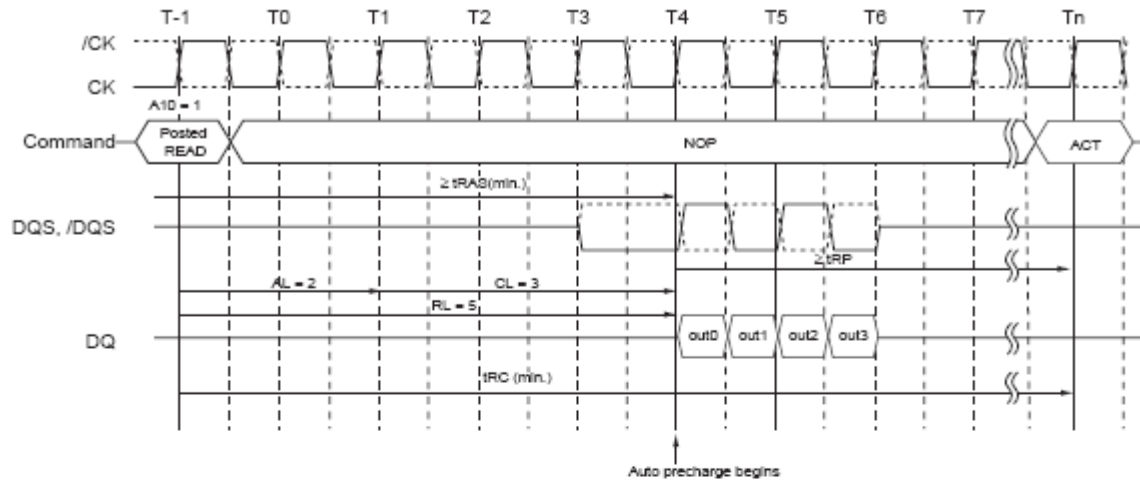
Burst Read with Auto Precharge [READA]

If A10 is high when a Read Command is issued, the Read with Auto-Precharge function is engaged. The DDR2 SDRAM starts an auto precharge operation on the rising edge which is (AL + BL/2) cycles later from the read with AP command when the condition that. When tRAS(min) is satisfied. If tRAS (min.) is not satisfied at the edge, the start point of auto-precharge operation will be delayed until tRAS (min.) is satisfied. A new bank active (command) may be issued to the same bank if the following two conditions are satisfied simultaneously.

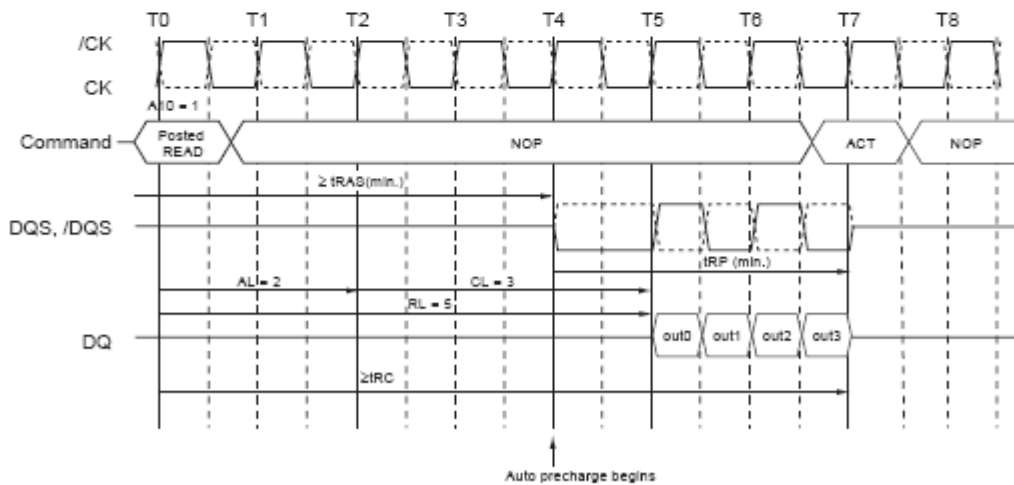
- (1) The /RAS precharge time (tRP) has been satisfied from the clock at which the auto precharge begins.
- (2) The /RAS cycle time (tRC) from the previous bank activation has been satisfied.



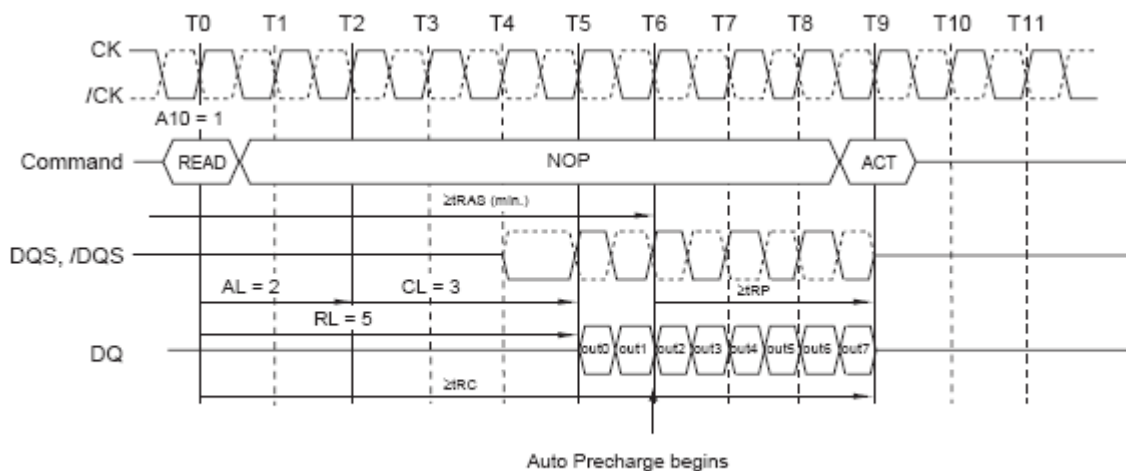
Burst Read with Auto Precharge Followed by an Activation to the Same Bank (tRC limit)
(RL = 5, BL = 4 (AL = 2, CL = 3, tRTP ≤ 2tCK))



Burst Read with Auto Precharge Followed by an Activation to the Same Bank (tRAS lockout case)
(RL = 5, BL = 4 (AL = 2, CL = 3))



Burst Read with Auto Precharge Followed by an Activation to the Same Bank (tRP limit)
(RL = 5, BL = 4 (AL = 2, CL = 3, $tRTP \leq 2tCK$))

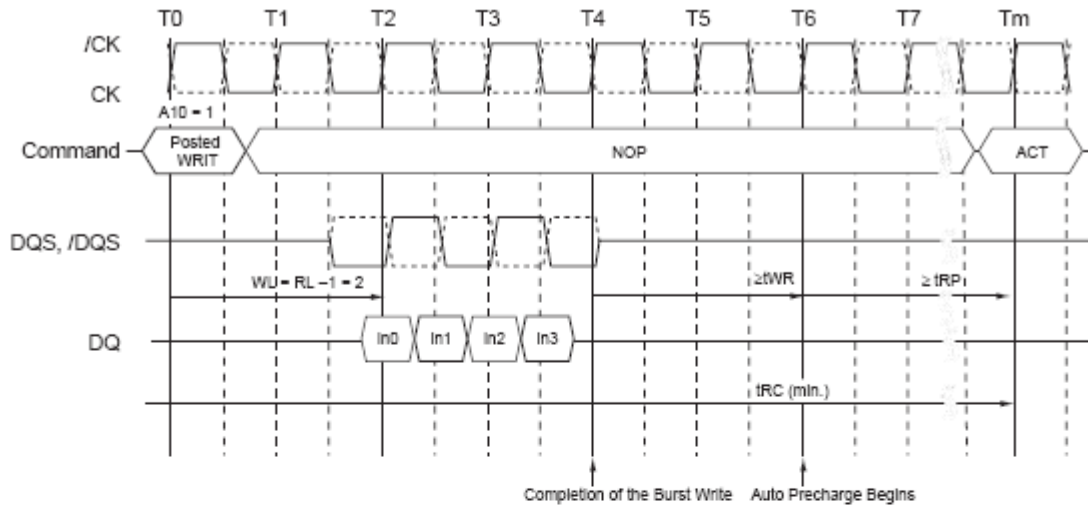


Burst Read with Auto Precharge Followed by an Activation to the Same Bank
(RL = 5, BL = 8 (AL = 2, CL = 3, $tRTP \leq 2tCK$))

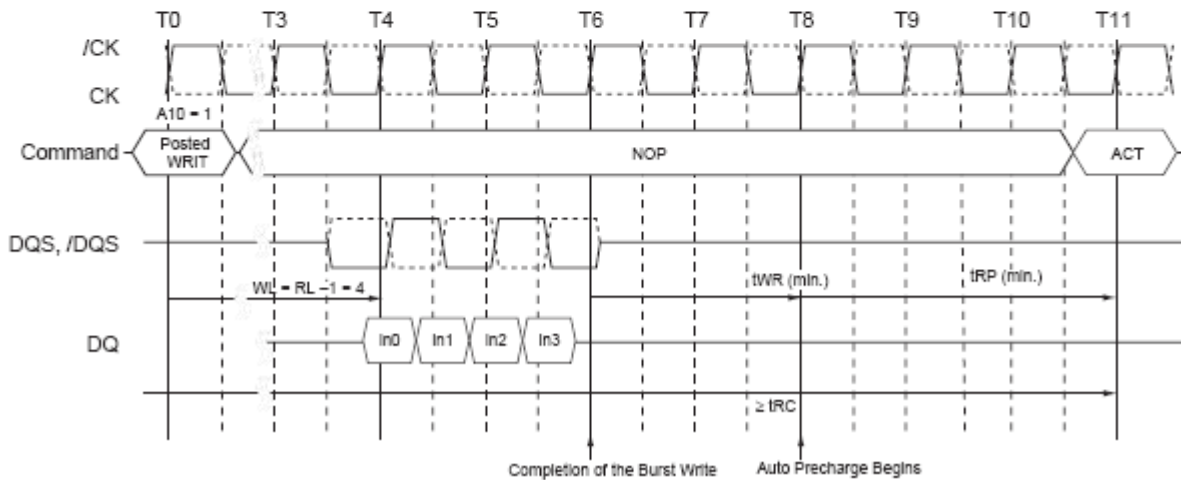
Burst Write with Auto-Precharge [WRITA]

If A10 is high when a write command is issued, the Write with auto-precharge function is engaged. The DDR2 SDRAM automatically begins precharge operation after the completion of the burst writes plus write recovery time (tWR). The bank undergoing auto-prcharge from the completion of the write burst may be reactivated if the following two conditions are satisfied.

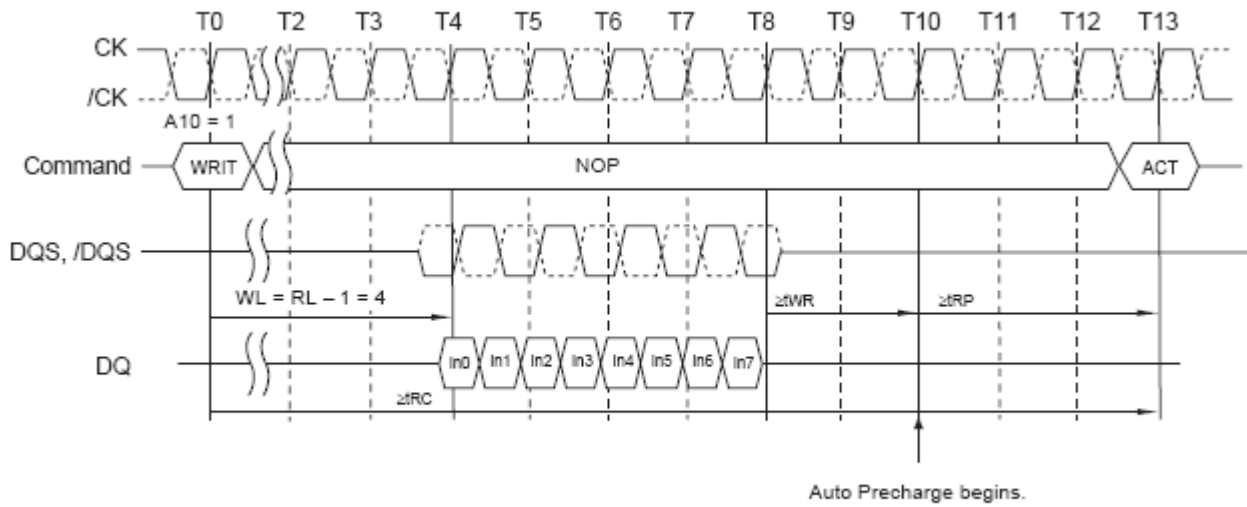
- (1)The data-in to bank activate delay time (tWR + tRP) has been satisfied.
- (2)The /RAS cycle time (tRC) from the previous bank activation has been satisfied.



Burst Write with Auto-Precharge (tRC Limit) (WL = 2, tWR = 2)



Burst Write with Auto-Precharge (tWR + tRP) (WL = 4, tWR = 2, tRP = 3)



Burst Write with Auto Precharge Followed by an Activation to the Same Bank
(WL = 4, BL = 8, tWR = 2, tRP = 3)

Refresh Requirements

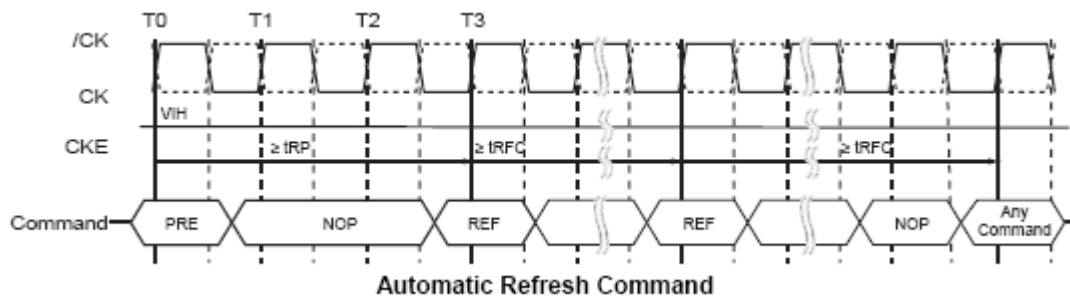
DDR2 SDRAM requires a refresh of all rows in any rolling 64ms interval. Each refresh is generated in one of two ways: by an explicit automatic refresh command, or by an internally timed event in self-refresh mode. Dividing the number of device rows into the rolling 64 ms interval defines the average refresh interval, tREFI, which is a guideline to controllers for distributed refresh timing.

Automatic Refresh Command [REF]

When /CS, /RAS and /CAS are held low and /WE high at the rising edge of the clock, the chip enters the automatic refresh mode (REF). All banks of the DDR2 SDRAM must be precharged and idle for a minimum of the precharge time (tRP) before the auto refresh command (REF) can be applied. An address counter, internal to the device supplies the bank address during the refresh cycle. No control of the external address bus is required once this cycle has started.

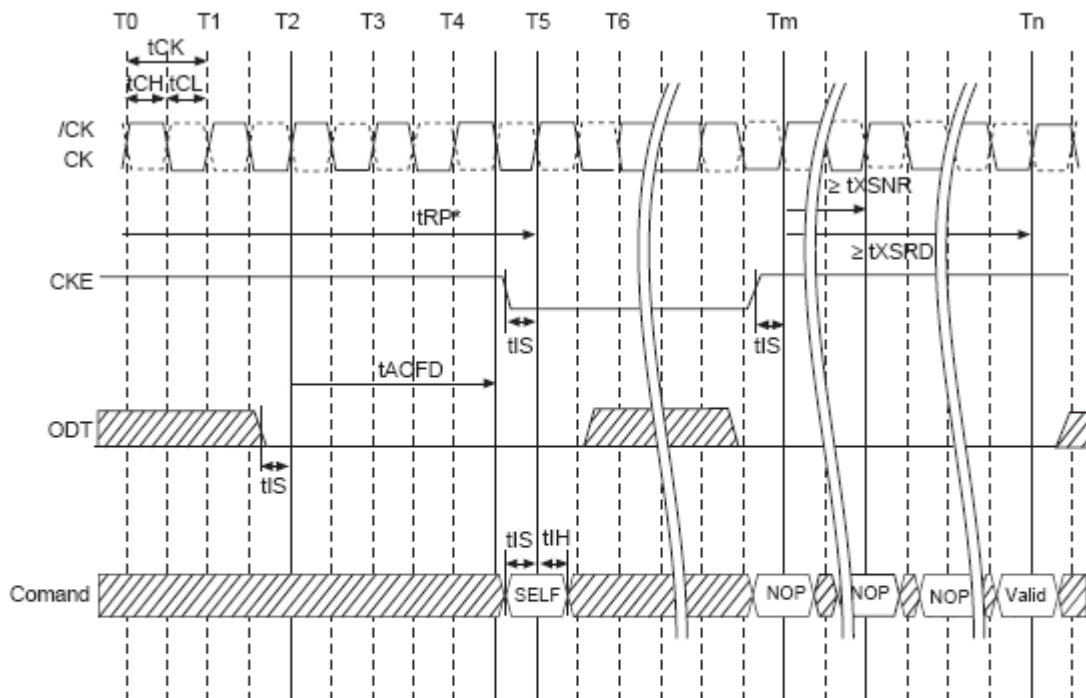
When the refresh cycle has completed, all banks of the DDR2 SDRAM will be in the precharged (idle) state. A delay between the auto refresh command (REF) and the next activate command or subsequent auto refresh command must be greater than or equal to the auto refresh cycle time (tRFC).

To allow for improved efficiency in scheduling and switching between tasks, some flexibility in the absolute refresh interval is provided. A maximum of 8 refresh commands can be posted to any given DDR2 SDRAM, meaning that the maximum absolute interval between any refresh command and the next Refresh command is 9 x tREFI.



Self Refresh Command [SELF]

The DDR2 SDRAM device has a built-in timer to accommodate self-refresh operation. The self-refresh command is defined by having /CS, /RAS, /CAS and CKE held low with /WE high at the rising edge of the clock. ODT must be turned off before issuing self refresh command by either driving ODT pin low or using EMRS command. Once the command is registered, CKE must be held low to keep the device in self-refresh mode. When the DDR2 SDRAM has entered self refresh mode all of the external signals except CKE, are “don't care”. The clock is internally disabled during self-refresh operation to save power. The user may change the external clock frequency or halt the external clock one clock after Self-Refresh entry is registered, however, the clock must be restarted and stable before the device can exit self refresh operation. Once self-refresh exit command is registered, a delay equal or longer than the tXSNR or tXSRD must be satisfied before a valid command can be issued to the device. CKE must remain high for the entire self-refresh exit period tXSRD for proper operation except for self refresh re-entry. Upon exit from self refresh, the DDR2 SDRAM can be put back into self refresh mode after waiting at least tXSNR period and issuing one refresh command (refresh period of tRFC). NOP or deselect commands must be registered on each positive clock edge during the self-refresh exit interval. ODT should also be turned off during tXSRD.



- Notes:
1. Device must be in the "All banks idle" state prior to entering self refresh mode.
 2. ODT must be turned off tACFD before entering self refresh mode, and can be turned on again when tXSRD timing is satisfied.
 3. tXSRD is applied for a read or a read with autoprecharge command.
 4. tXSNR is applied for any command except a read or a read with autoprecharge command.

Self Refresh Command

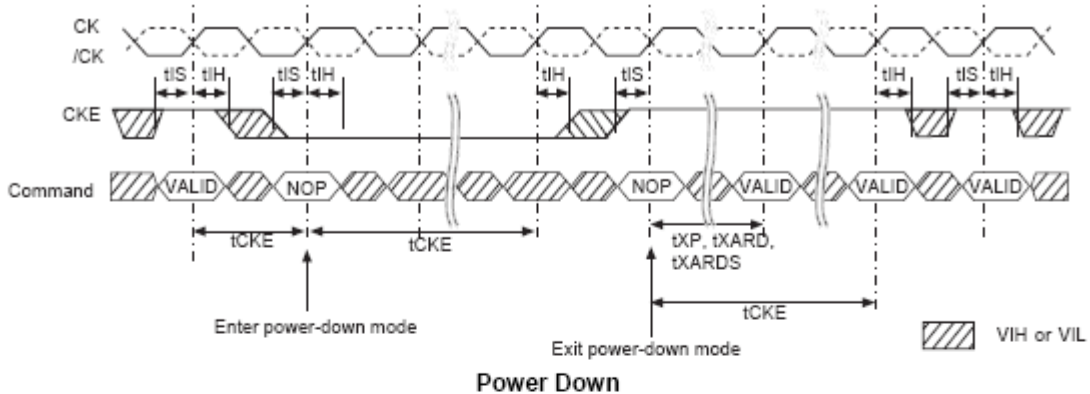
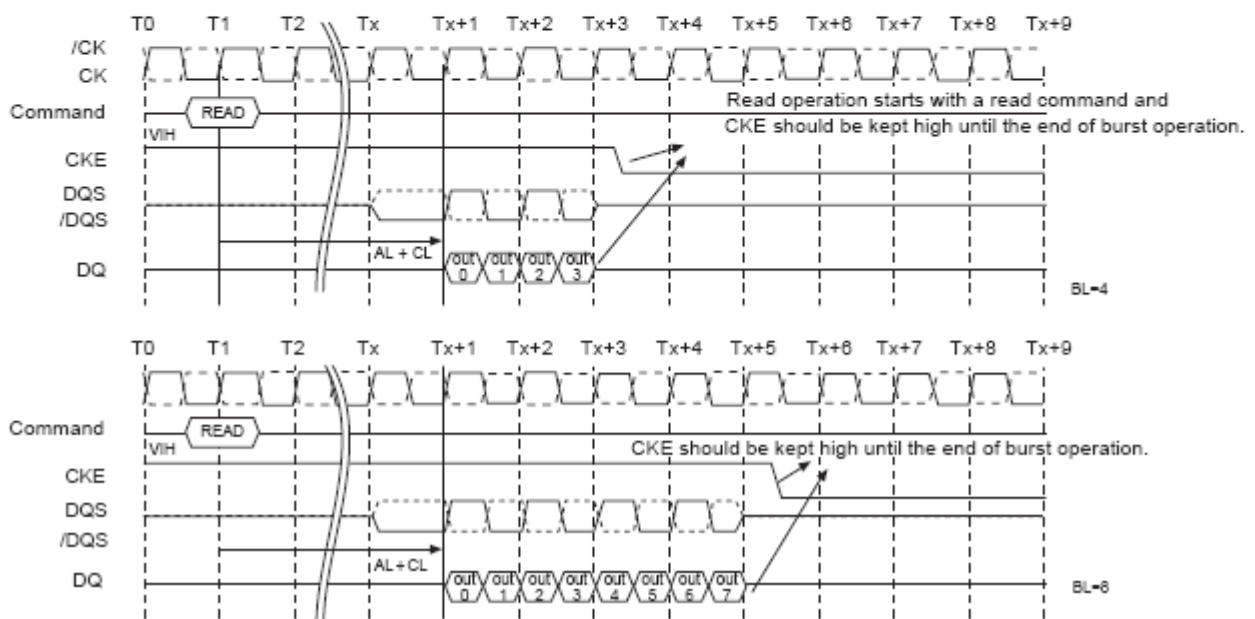
Power-Down [PDEN]

Power-down is synchronously entered when CKE is registered low (along with NOP or deselect command). CKE is not allowed to go low while mode register or extended mode register command time, or read or write operation is in progress. CKE is allowed to go low while any of other operations such as row activation, precharge or auto-precharge, or auto-refresh is in progress, but power-down IDD spec will not be applied until finishing those operations. Timing diagrams are shown in the following pages with details for entry into power down.

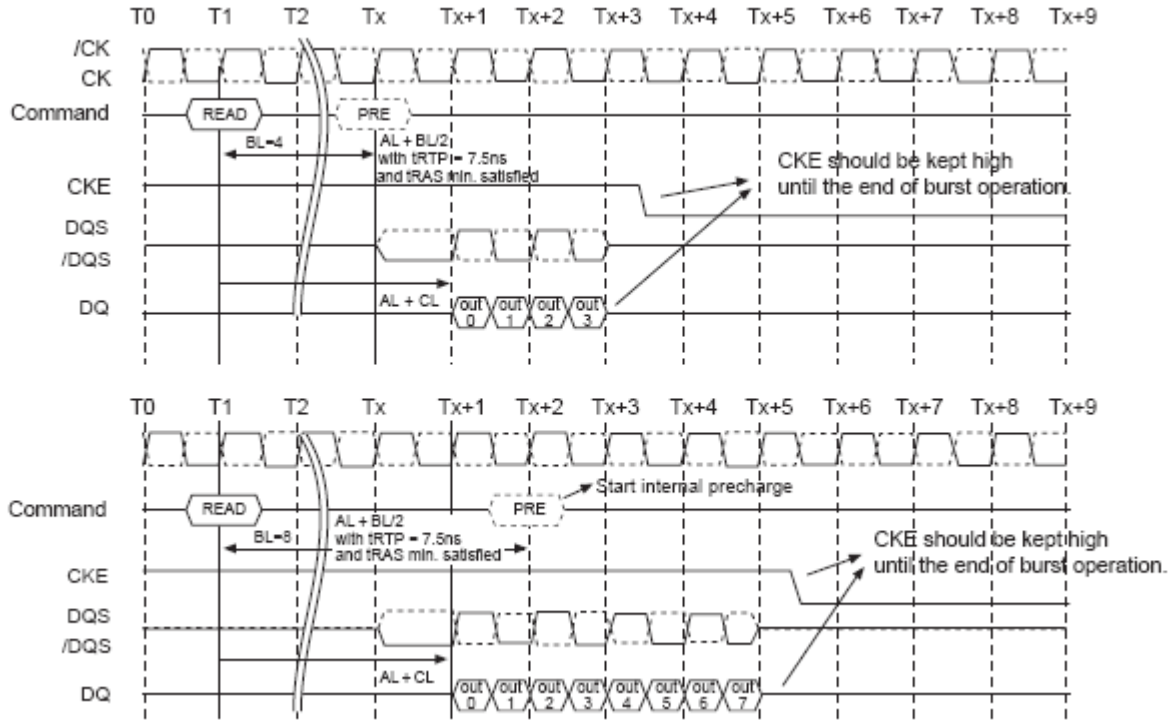
The DLL should be in a locked state when power-down is entered. Otherwise DLL should be reset after exiting power-down mod for proper read operation

If power-down occurs when all banks are idle, this mode is referred to as precharge power-down; If power down occurs when there is a row active in any bank, this mode is referred to as active power-down. Entering power-down deactivates the input and output buffers, excluding CK, /CK, ODT and CKE. Also the DLL is disable upon entering precharge power-down or slow exit active power-down, but the DLL is kept enabled during fast exit active power-down. In power-down mode, CKE low and a stable clock signal must be maintained at the inputs of the DDR2 SDRAM, and ODT should be in a valid state but all other input signals are "Don't Care". CKE low must be maintained until tCKE has been satisfied. Maximum power-down duration is limited by 9 times tREFI of the device.

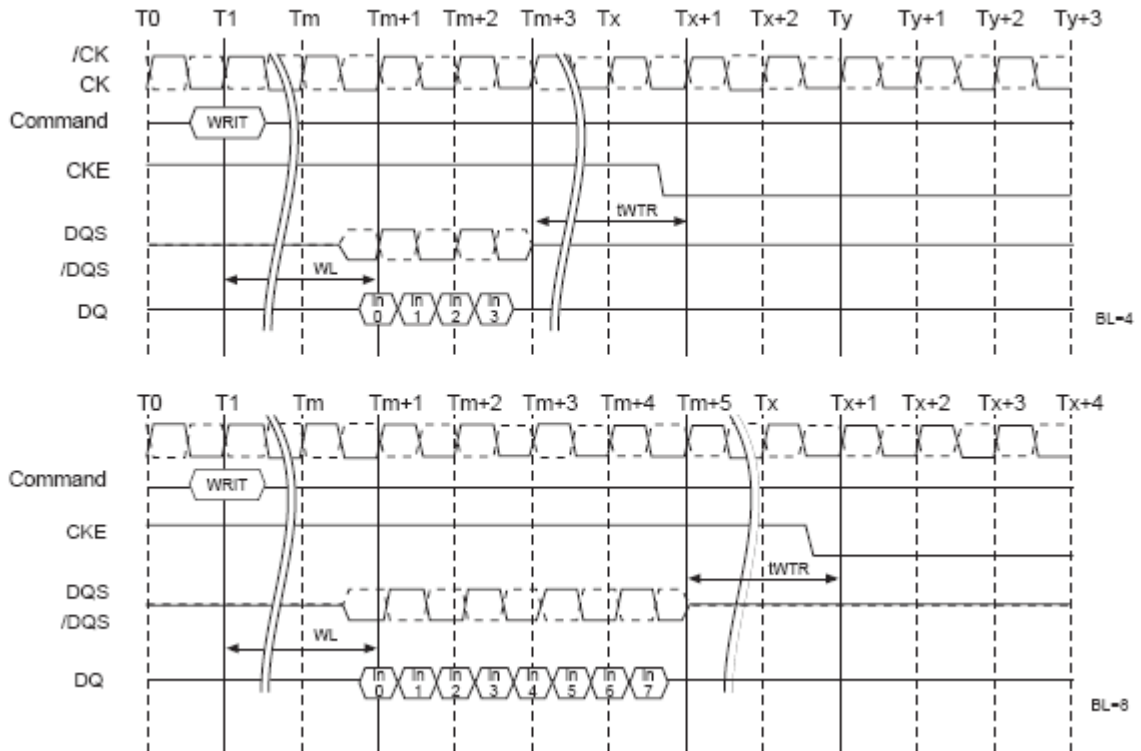
The power-down state is synchronously exited when CKE is registered high (along with a NOP or deselect command). CKE high must be maintained until tCKE has been satisfied. A valid, executable command can be applied with power-down exit latency, tXP, tXARD, or tXARDS, after CKE goes high. Power-down exit latency is defined at AC Characteristics table of this data sheet.


Read to Power-Down Entry


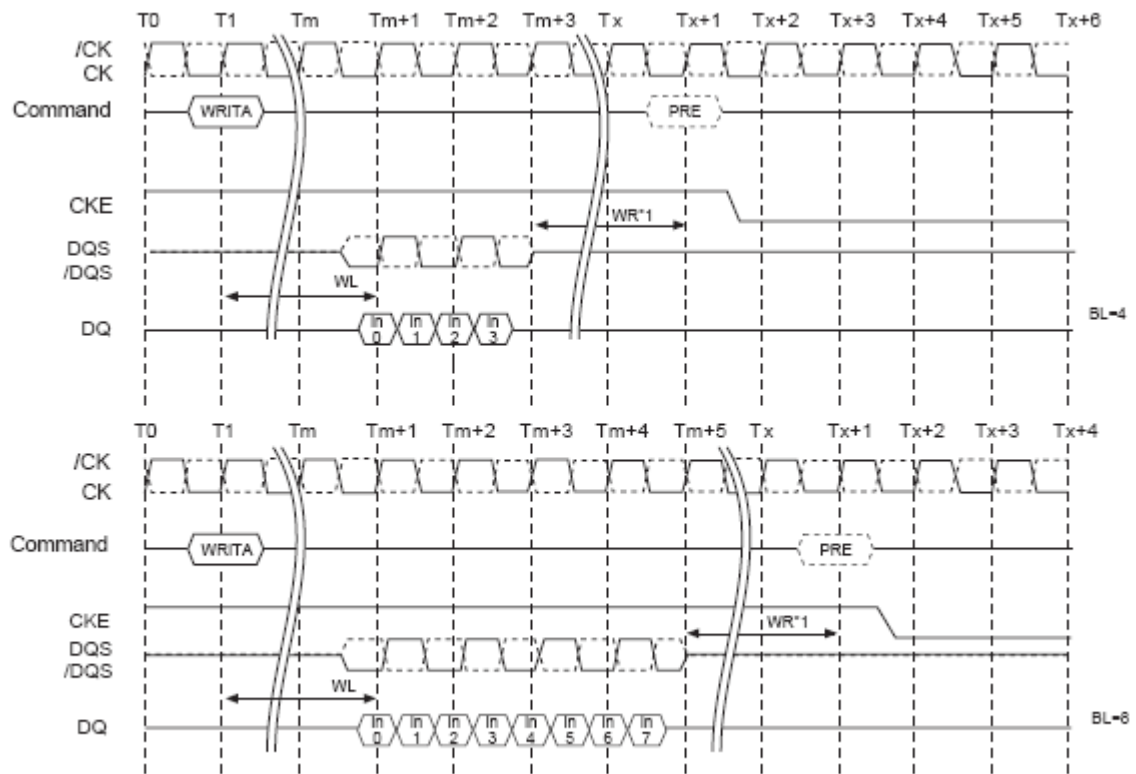
Read with Auto Precharge to Power-Down Entry



Write to Power-Down Entry

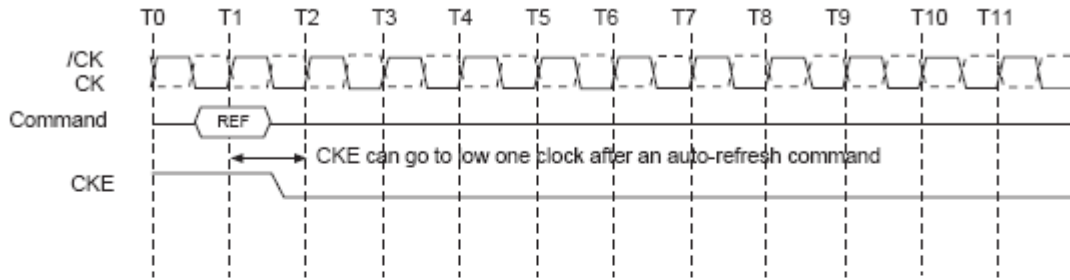


Write with Auto Precharge to Power-Down Entry

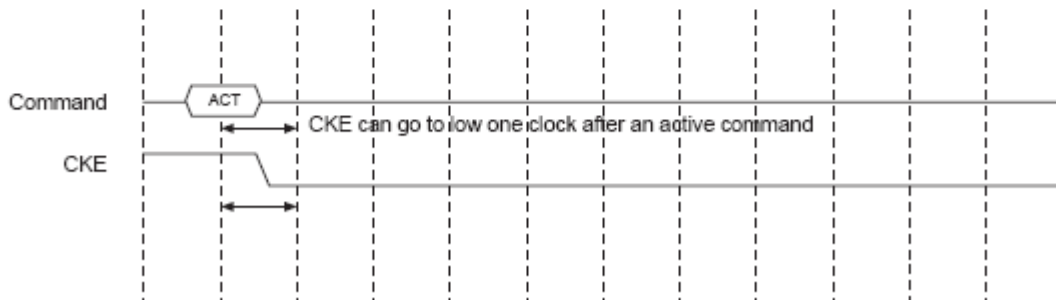


Note: 1. WR is programmed through MRS

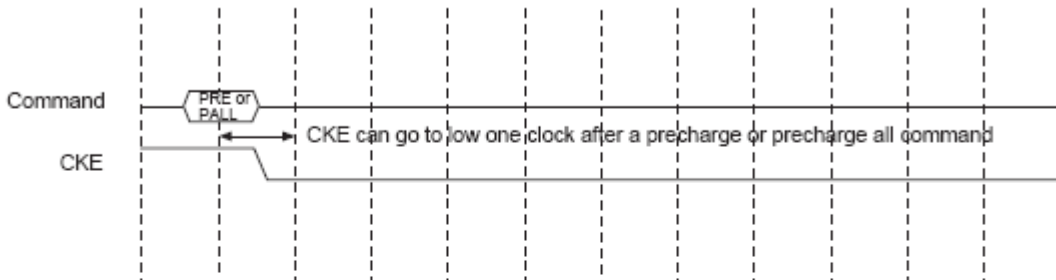
Refresh command to Power-Down Entry



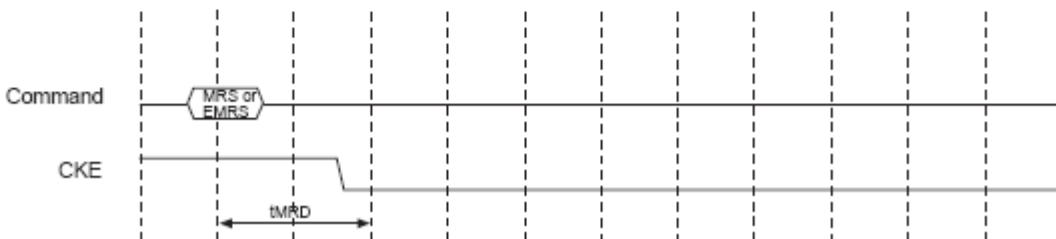
Active command to power-down entry



Precharge/Precharge all command to power-down entry



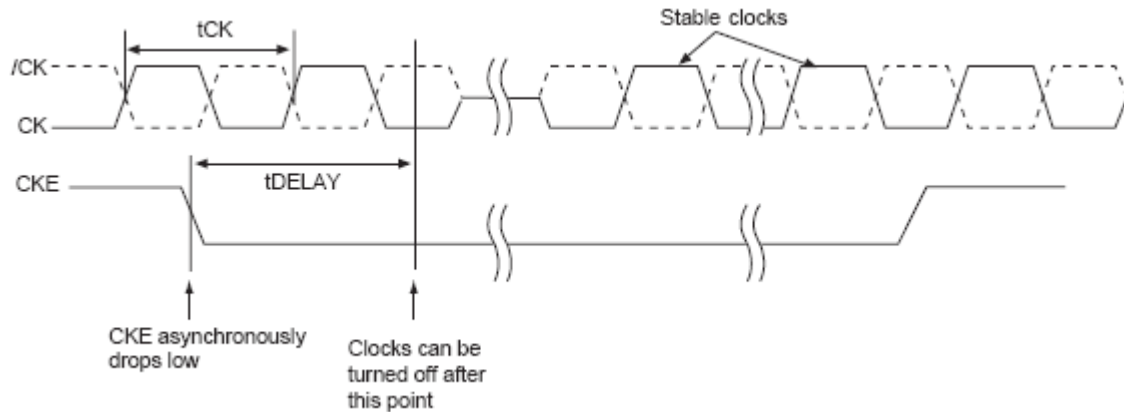
MRS/EMRS command to power-down entry



Asynchronous CKE Low Event

DRAM requires CKE to be maintained high for all valid operations as defined in this data sheet. If CKE asynchronously drops low during any valid operation DRAM is not guaranteed to preserve the contents of array. If this event occurs, memory controller must satisfy DRAM timing specification t_{DELAY} before turning off the clocks.

Stable clocks must exist at the input of DRAM before CKE is raised high again. DRAM must be fully re-initialized (steps 4 through 13) as described in initialization sequence. DRAM is ready for normal operation after the initialization sequence. See AC Characteristics table for t_{DELAY} specification.



SSC (Spread Spectrum Clocking)

Terms and definitions

$f_{CK,min}$: Minimum frequency supported by the DRAM ($1/t_{CK(avg),max} = 125\text{MHz}$)

$f_{CK,max}$: Maximum frequency supported by the DRAM ($1/t_{CK(avg),min} = 533\text{MHz}(-\text{AH}), 400\text{MHz}(-\text{8E})$)

SSC band : If the system modulates the input clock frequency between $f_{SSC,min}$ and $f_{SSC,max}$, this frequency band is referred to as SSC band.

$f_{SSC,nom}$: Mean frequency of $f_{SSC,min}$ and $f_{SSC,max}$

Modulation frequency : Rate at which the frequency is modulated for SSC

Ex) 20kHz modulation : Input clock frequency shifts gradually from $f_{SSC,min}$ to $f_{SSC,max}$ over 25us ($50\text{us}/2$).

SSC (Spread Spectrum Clocking) Criteria

SSC is allowed only if $f_{SSC,min}$ is greater than or equal to $f_{CK,min}$ and $f_{SSC,max}$ is less than or equal to $f_{CK,max}$. All input clock specs including, but not limited to, $t_{ERR(nper)}$ must be met at all times. Allowed modulation frequency is 20kHz to 60kHz.

Allowed SSC band

If the DRAM DLL is locked at $f_{SSC,nom}$ (by issuing a DLL reset and waiting 200 clock cycles) and then the SSC is turned on later, the system is allowed an SSC band of $f_{SSC,nom} \pm 1\%$.

In all other cases, the system is allowed an SSC band of $f_{SSC,nom} \pm 0.5\%$.

If the input clock frequency drifts out of this band, the output timings can no longer be guaranteed and DLL reset must be issued to regain the output timings assuming a different SSC band.

Input Clock Frequency Change during Precharge Power Down

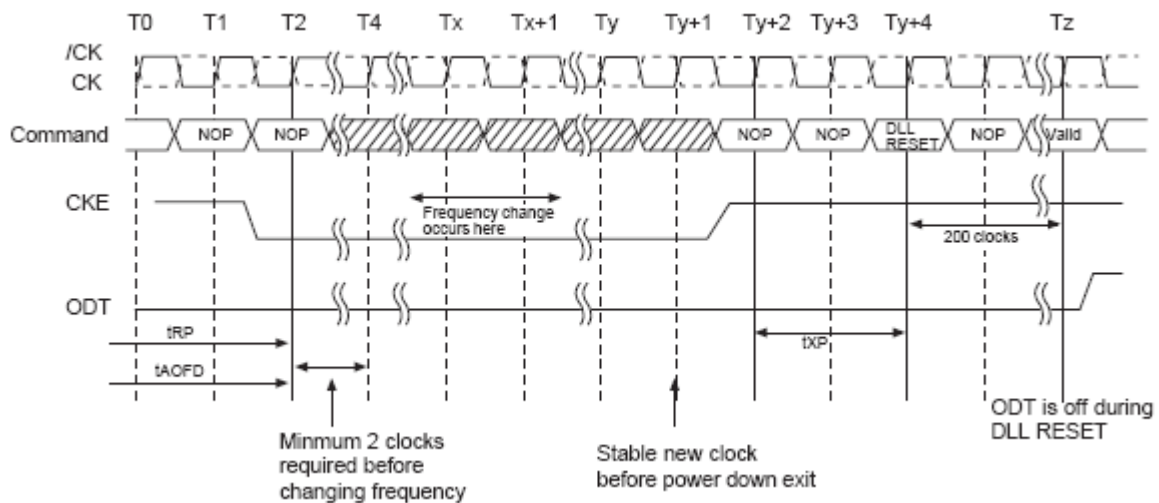
DDR2 SDRAM input clock frequency can be changed under following condition:

DDR2 SDRAM is in precharged power down mode. ODT must be turned off and CKE must be at logic low level.

A minimum of 2 clocks must be waited after CKE goes low before clock frequency may change. SDRAM input clock frequency is allowed to change only within minimum and maximum operating frequency specified for the particular speed grade. During input clock frequency change, ODT and CKE must be held at stable low levels.

Once input clock frequency is changed, stable new clocks must be provided to DRAM before precharge power down may be exited and DLL must be RESET via MRS after precharge power down exit. Depending on new clock frequency an additional MRS or EMRS command may need to be issued to appropriately set the WR, CL and so on. During DLL relock period, ODT must remain off. After the DLL lock time, the DRAM is ready to operate with new clock frequency.

Clock Frequency Change in Precharge Power Down Mode



No Operation command [NOP]

The no operation command should be used in cases when the DDR2 SDRAM is in an idle or a wait state. The purpose of the no operation command is to prevent the DDR2 SDRAM from registering any unwanted commands between operations. A no operation command is registered when /CS is low with /RAS, /CAS, and /WE held high at the rising edge of the clock. A no operation command will not terminate a previous operation that is still executing, such as a burst read or write cycle.

Deselect Command [DESL]

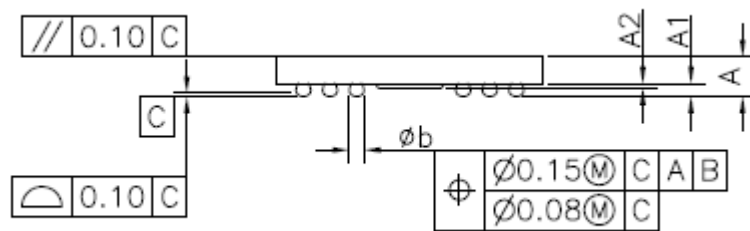
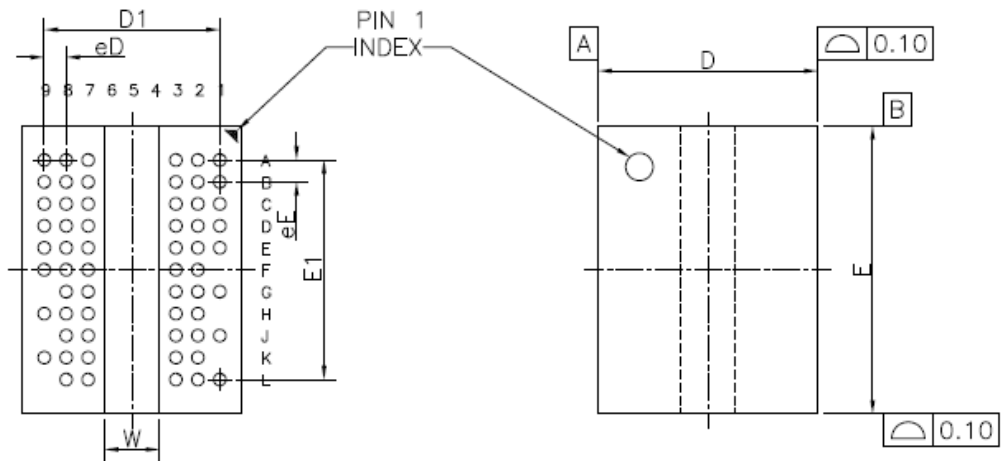
The deselect command performs the same function as a no operation command. Deselect command occurs when /CS is brought high at the rising edge of the clock, the /RAS, /CAS, and /WE signals become don't cares.

Package Drawing

60-ball FBGA

Solder ball: Lead free (Sn-Ag-Cu)

Unit: mm

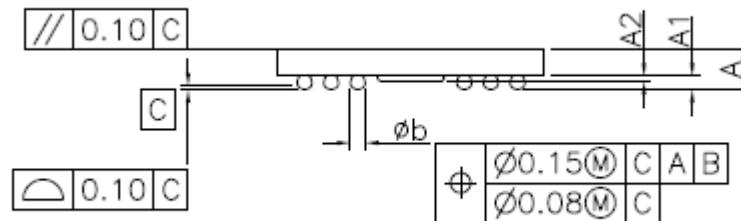
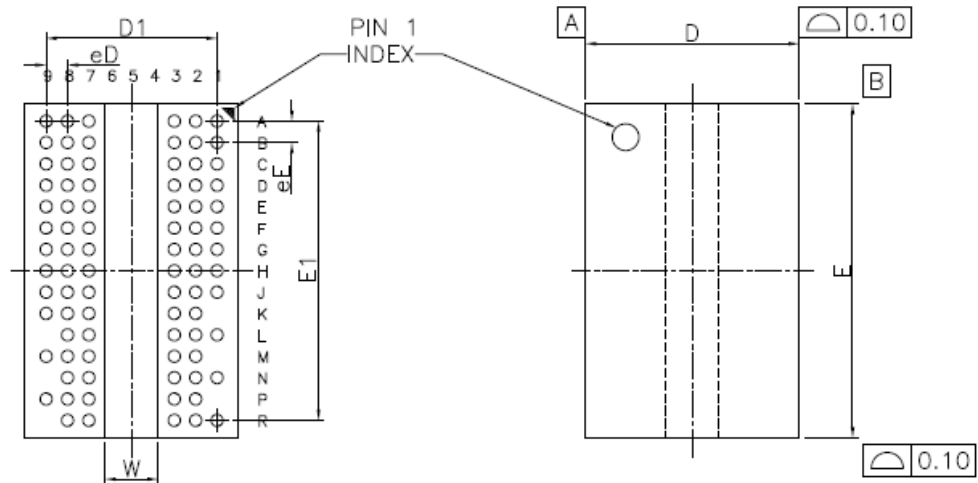


Symbol	MILLIMETERS		
	MIN.	NOM.	MAX.
A	---	---	1.20
A1	0.30	0.35	0.40
A2	0.10	0.15	0.20
D	7.90	8.00	8.10
D1	6.40 BSC		
E	10.40	10.50	10.60
E1	8.00 BSC		
b	0.40	0.45	0.50
eD	0.80 BSC		
eE	0.80 BSC		
W	2.00 BSC		

84-ball FBGA

Solder ball: Lead free (Sn-Ag-Cu)

Unit: mm



Symbol	MILLIMETERS		
	MIN.	NOM.	MAX.
A	---	---	1.20
A1	0.30	0.35	0.40
A2	0.10	0.15	0.20
D	7.90	8.00	8.10
D1	6.40 BSC		
E	12.40	12.50	12.60
E1	11.20 BSC		
b	0.40	0.45	0.50
eD	0.80 BSC		
eE	0.80 BSC		
W	2.00 BSC		

Recommended Soldering Conditions

Please consult with our sales offices for soldering conditions of the A3R12E30DBF, A3R12E40DBF.

Type of Surface Mount Device

A3R12E30DBF: 60-ball FBGA<Lead free(Sn-Ag-Cu)>

A3R12E40DBF: 84-ball FBGA<Lead free(Sn-Ag-Cu)>

Important Notice:

Zentel DRAM products are not intended for medical implementation, airplane and transportation instrument, safety equipments, or any other applications for life support or where Zentel products failure could result in life loss, personal injury, or environment damage. Zentel customers who purchase Zentel products for use in such applications do so in their own risk and fully agree Zentel accepts no liability for any damage from this improper use.