

bel/ defining a degree of excellence

DIGITAL DELAY LINE SERIES A447 5 TAP

AVAILABLE IN FAST LOGIC
REQUEST A427 SERIES

TECHNICAL INFORMATION

TEST CONDITIONS

| | |
|----------------------------------|---------------------------|
| Pulse Voltage | 3.2 Volts |
| Rise Time | 3.0 Nsec (10%-90%) |
| Pulse Width | 1.2 x Total Delay |
| Pulse Period | 4 x Pulse Width |
| Supply Current, I _{ccL} | 60.0 Milliamps typical |
| Supply Voltage, V _{cc} | 5.0 Volts |
| Ambient Temperature | 25°C |

PERFORMANCE CHARACTERISTICS

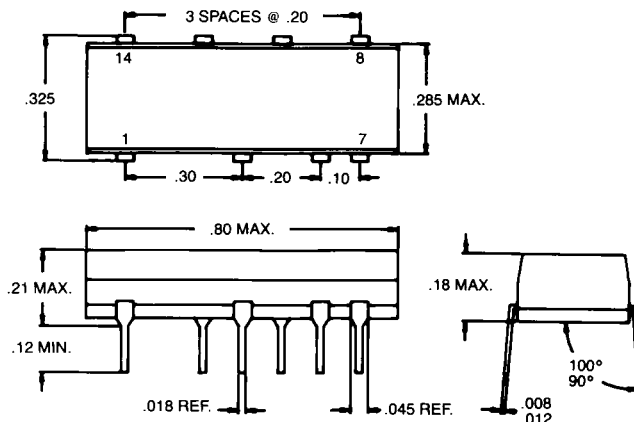
Delay Tolerance From Input To Tap
± 2 Nsec or 5% whichever is greater
Delay Tolerance From Tap To Tap
± 2 Nsec or 7% whichever is greater
Performance Characteristics apply at
above listed Test Conditions.

ELECTRICAL CHARACTERISTICS

| | |
|--|--------------------|
| Supply Voltage, V _{cc} | 4.75 to 5.25 Volts |
| Logic 1 Input Current | 50 Microamp max. |
| Logic 0 Input Current | - 2 Milliamp max. |
| Logic 1 Output Voltage | 2.7 Volts min. |
| Logic 0 Output Voltage | 0.5 Volts max. |
| Operating Temperature Range | 0°C To 70°C |
| Temperature Coefficient Of Total Delay | 500PPM/°C Typical |
| Minimum Input Pulse Width | 40% Of Total Delay |
| Maximum Duty Cycle | 50% |

DRIVE CAPABILITIES

10 TTL Loads/Tap max.
20 TTL Loads/Unit max.
—Compatible with TTL and DTL circuits
—Other delays and tolerances upon
request



DataSheet4U.com

| Part Number | Total Delay 1, 3 | Delay/Tap 1, 3 | Rise Time 2, 3 |
|--------------|---------------------|-------------------|-------------------|
| A447-0025-02 | 25NS | 5NS | 4NS |
| A447-0030-02 | 30NS | 6NS | 4NS |
| A447-0040-02 | 40NS | 8NS | 4NS |
| A447-0050-02 | 50NS | 10NS | 4NS |
| A447-0060-02 | 60NS | 12NS | 4NS |
| A447-0070-02 | 70NS | 14NS | 4NS |
| A447-0080-02 | 80NS | 16NS | 4NS |
| A447-0090-02 | 90NS | 18NS | 4NS |
| A447-0100-02 | 100NS | 20NS | 4NS |
| A447-0125-02 | 125NS | 25NS | 4NS |
| A447-0150-02 | 150NS | 30NS | 4NS |
| A447-0200-02 | 200NS | 40NS | 4NS |
| A447-0250-02 | 250NS | 50NS | 4NS |
| A447-0300-02 | 300NS | 60NS | 4NS |
| A447-0400-02 | 400NS | 80NS | 4NS |
| A447-0450-02 | 450NS | 90NS | 4NS |
| A447-0500-02 | 500NS | 100NS | 5NS |

1 Delays measured at 1.5 Volts level on Leading Edge only.
2 Rise Times measured from .75 Volts to 2.4 Volts.
3 Measured with no loads on taps.

Specifications Subject To Change Without Notice

www.DataSheet4U.com

BEL FUSE INC./198 VAN VORST STREET/JERSEY CITY, NJ 07302/(201) 432-0463/TWX 710-730-5301/FAX (201) 432-9542 9

DataSheet4U.com