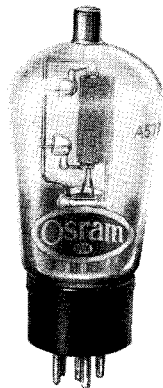


Osram Valves

Made in England.



Approx. Dimensions :
Overall length (including pins)
130 m/m.

Maximum diameter of bulb
50 m/m.

TYPE A577

TRIODE FOR VALVE VOLTMETERS With Indirectly Heated Cathode.

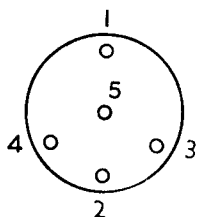
The OSRAM A577 triode is designed with characteristics suitable for use in a valve voltmeter which is mains-operated, portable, and capable of operating at high frequencies, and at the same time covering a wide range of voltages. In such an instrument the valve operates as an anode bend rectifier and may be calibrated to read R.M.S. volts on a sinusoidal supply.

Type A577 is suitable for use in such an instrument on all frequencies included in normal radio and audio frequency work, but is not applicable to an audio frequency amplifier.

CHARACTERISTICS.

Heater Volts	4.0	
Heater Current	1.0 amp.	
Anode Volts	250 max.	
Amplification Factor	6	} measured at Ea=100 Eg=0
Impedance	3,000	
Mutual Conductance	2.0 mA/v.	
Input A.C. resistance (measured on a cold valve at 1 megacycle)	20 megohms approx	
Input Capacity	6.0 mmfd. approx.	

For prices see
pages 126-129.



View looking on underside
of valve base

BASE, 5-pin.

- Pin 1: Anode
 - 2: —
 - 3: Heater
 - 4: Heater
 - 5: Cathode
- Top Cap: Grid

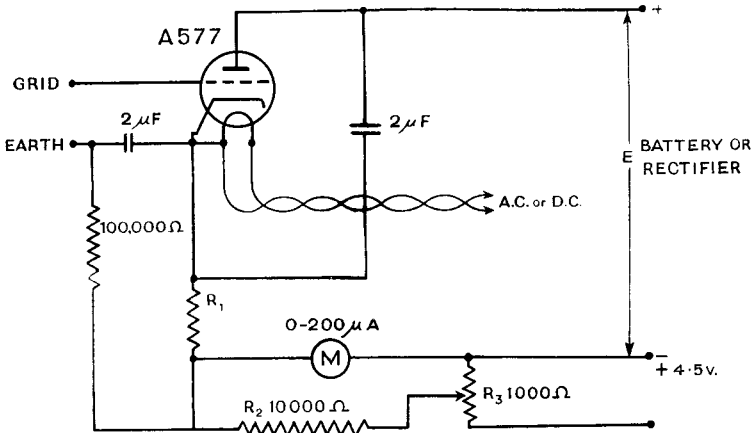
OPERATING CONDITIONS.

A typical circuit diagram opposite shows type A577 operating as a self-biased anode bend rectifier.

It is important that the lead from the grid terminal be made as short as possible and if connected to any additional terminal, insulators must be of low loss construction.

The voltmeter may be designed for mains operation or can be run from batteries.

TYPE A577



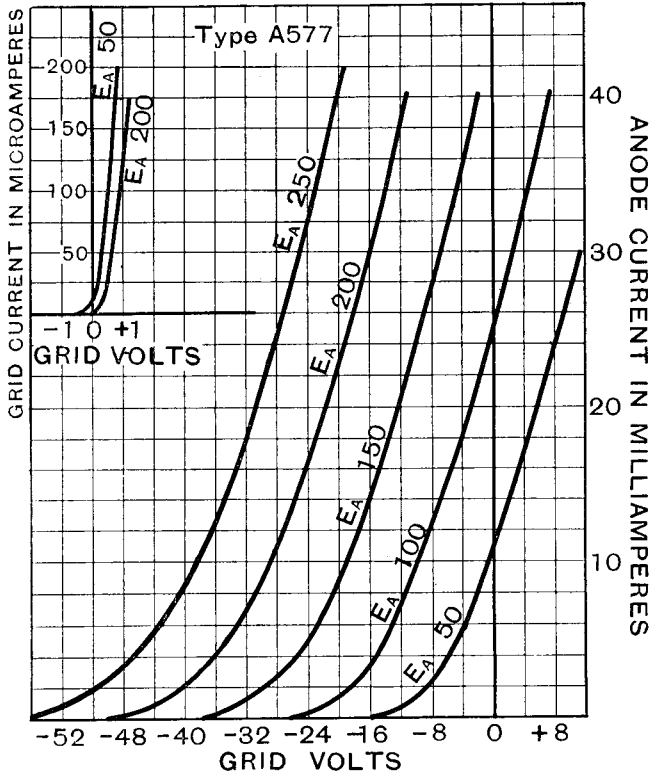
Typical Circuit Diagram.

R_2 and R_3 backing off circuit with zero adjustment on R_3 .

The microammeter M should be short circuited while connecting up the supplies.

Recommended Values (approximate.)

R.M.S. Voltage Range	0-5	0-15	0-50	0-100	0-150
Supply Voltage E (anode + bias)	35	75	270	270	270
Bias Resistance R_1	13,000	60,000	250,000	550,000	800,000
	ohms	ohms	ohms	ohms	ohms



CHARACTERISTIC CURVES OF AVERAGE VALVE.