



# High Efficiency Linear Power Supply with Accurate Power Surveillance and Software Monitoring

## Features

- Highly accurate 5 V, 100 mA guaranteed output
- Low dropout voltage, typically 380 mV at 100 mA
- Low quiescent current, typically 155  $\mu$ A
- Standby mode, maximum current 340  $\mu$ A (with 100  $\mu$ A load on OUTPUT)
- Unregulated DC input can withstand -20 V reverse battery and +60 V power transients
- Fully operational for unregulated DC input voltage up to 26 V and regulated output voltage down to 3.0 V
- Reset output guaranteed for regulated output voltage down to 1.2 V
- No reverse output current
- Very low temperature coefficient for the regulated output
- Current limiting
- Comparator for voltage monitoring, voltage reference 1.17V
- $\pm 2.2\%$  voltage reference accuracy at +25°C
- $\pm 4.2\%$  voltage reference accuracy from -40 to +85°C
- Programmable reset voltage monitoring
- Programmable power on reset (POR) delay
- Watchdog with programmable time windows guarantees a minimum time and a maximum time between software clearing of the watchdog
- Time base accuracy  $\pm 10\%$
- System enable output offers added security
- TTL/CMOS compatible
- -40 to +85°C temperature range
- DIP8 and SO8 packages

## Description

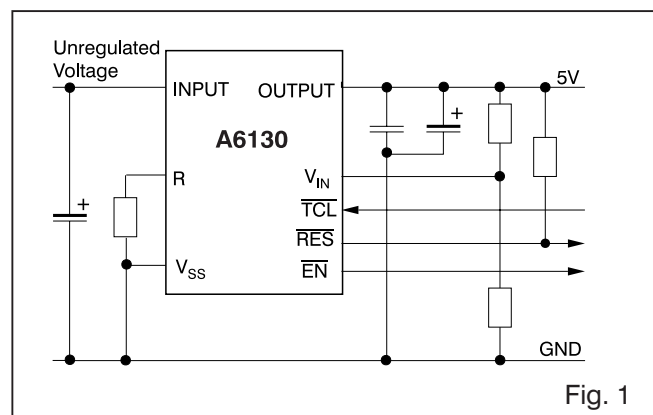
The A6130 offers a high level of integration by combining voltage regulation, voltage monitoring and software monitoring in an 8 lead package. The voltage regulator has a low dropout voltage (typ. 380 mV at 100 mA) and a low quiescent current (155  $\mu$ A). The quiescent current increases only slightly in dropout prolonging battery life. Built-in protection includes a positive transient absorber for up to 60 V (load dump) and the ability to survive an unregulated input voltage of -20 V (reverse battery). The input may be connected to ground or a reverse voltage without reverse current flow from the output to the input. A comparator monitors the voltage applied at the  $V_{IN}$  input comparing it with an internal 1.17 V reference. The power-on reset function is initialized after  $V_{IN}$  reaches 1.17 V and takes the reset output inactive after  $T_{POR}$  depending of external resistance. The reset output goes active low when the  $V_{IN}$  voltage is less than 1.17 V. The RES and EN outputs are guaranteed to be in a correct state for a regu-

lated output voltage as low as 1.2 V. The watchdog function monitors software cycle time and execution. If software clears the watchdog too quickly (incorrect cycle time) or too slowly (incorrect execution) it will cause the system to be reset. The system enable output prevents critical control functions being activated until software has successfully cleared the watchdog three times. Such a security could be used to prevent motor controls being energized on repeated resets of a faulty system.

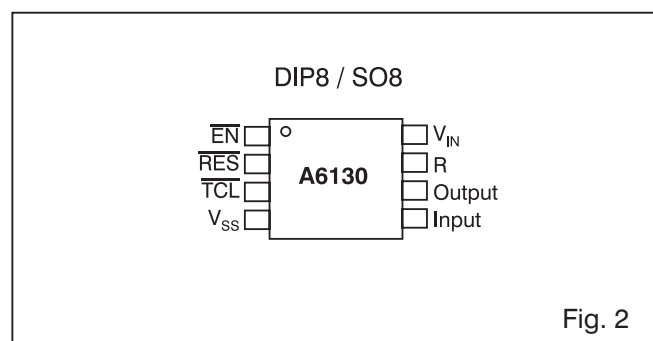
## Applications

- Industrial electronics
- Cellular telephones
- Security systems
- Battery powered products
- High efficiency linear power supplies
- Automotive electronics

## Typical Operating Configuration



## Pin Assignment





## Absolute Maximum Ratings

Parameter	Symbol	Conditions
Continuous voltage at INPUT to $V_{SS}$	$V_{INPUT}$	-0.3 to +30 V
Transients on INPUT for $t < 100$ ms and duty cycle 1%	$V_{TRANS}$	up to +60 V
Reverse supply voltage on INPUT	$V_{REV}$	-20 V
Max. voltage at any signal pin	$V_{MAX}$	OUTPUT+0.3V
Min. voltage at any signal pin	$V_{MIN}$	$V_{SS}-0.3V$
Storage temperature	$T_{STO}$	-65 to +150°C
Electrostatic discharge max. To MIL-STD-883C method 3015	$V_{Smax}$	1000V
Max. soldering conditions	$T_{Smax}$	250°C x 10 s

Table 1

Stresses above these listed maximum ratings may cause permanent damage to the device. Exposure beyond specified operating conditions may affect device reliability or cause malfunction.

## Handling Procedures

This device has built-in protection against high static voltages or electric fields; however, anti-static precautions must be taken as for any other CMOS component. Unless otherwise specified, proper operation can only occur when all terminal voltages are kept within the supply voltage range. At any time, all inputs must be tied to a defined logic voltage level.

## Operating Conditions

Parameter	Symbol	Min.	Max.	Units
Operating junction temperature <sup>1)</sup>	$T_J$	-40	+85	°C
INPUT voltage <sup>2)</sup>	$V_{INPUT}$	2.3	26	V
OUTPUT voltage <sup>2) 3)</sup>	$V_{OUTPUT}$	1.2		V
$\overline{RES}$ & $\overline{EN}$ guaranteed <sup>4)</sup>	$V_{OUTPUT}$	1.2		V
OUTPUT current <sup>5)</sup>	$I_{OUTPUT}$		100	mA
Comparator input voltage	$V_{IN}$	0	$V_{OUTPUT}$	V
RC-oscillator programming	R	10	1000	kΩ
Thermal resistance from junction to ambient <sup>6)</sup>				
- DIP8	$R_{th(j-a)}$		105	°C/W
- SO8	$R_{th(j-a)}$		160	°C/W

Table 2

- <sup>1)</sup> The maximum operating temperature is confirmed by sampling at initial device qualification. In production, all devices are tested at +85°C.
- <sup>2)</sup> Full operation guaranteed. To achieve the load regulation specified in Table 3 a 22  $\mu$ F capacitor or greater is required on the INPUT, see Fig. 8. The 22  $\mu$ F must have an effective resistance  $\leq 5 \Omega$  and a resonant frequency above 500 kHz.
- <sup>3)</sup> A 10  $\mu$ F load capacitor and a 100 nF decoupling capacitor are required on the regulator OUTPUT for stability. The 10  $\mu$ F must have an effective series resistance of  $\leq 5 \Omega$  and a resonant frequency above 500 kHz.
- <sup>4)</sup>  $\overline{RES}$  must be pulled up externally to  $V_{OUTPUT}$  even if it is unused. (Note:  $\overline{RES}$  and  $\overline{EN}$  are used as inputs by EM test.)
- <sup>5)</sup> The OUTPUT current will not apply for all possible combinations of input voltage and output current. Combinations that would require the A6130 to work above the maximum junction temperature (+85°C) must be avoided.
- <sup>6)</sup> The thermal resistance specified assumes the package is soldered to a PCB.



## Electrical Characteristics

$V_{INPUT} = 6.0\text{ V}$ ,  $C_L = 10\ \mu\text{F} + 100\ \text{nF}$ ,  $C_{INPUT} = 22\ \mu\text{F}$ ,  $T_J = -40\text{ to }+85^\circ\text{C}$ , unless otherwise specified

Parameter	Symbol	Test Conditions	Min.	Typ.	Max.	Unit
Supply current in standby mode	$I_{SS}$	$R_{EXT} = \text{don't care}$ , $TCL = V_{OUTPUT}$ , $V_{IN} = 0\text{ V}$ , $I_L = 100\ \mu\text{A}$			340	$\mu\text{A}$
Supply current <sup>1)</sup>	$I_{SS}$	$R_{EXT} = 100\ \text{k}\Omega$ , I/Ps at $V_{OUTPUT}$ , O/Ps $1\ \text{M}\Omega$ to $V_{OUTPUT}$ , $I_L = 100\ \mu\text{A}$		155	400	$\mu\text{A}$
Supply current <sup>1)</sup>	$I_{SS}$	$R_{EXT} = 100\ \text{k}\Omega$ , I/Ps at $V_{OUTPUT}$ , $V_{INPUT} = 8.0\text{ V}$ , O/Ps $1\ \text{M}\Omega$ to $V_{OUTPUT}$ , $I_L = 100\ \text{mA}$		1.7	4.2	$\text{mA}$
Output voltage	$V_{OUTPUT}$	$I_L = 100\ \mu\text{A}$	4.88		5.12	$\text{V}$
Output voltage	$V_{OUTPUT}$	$100\ \mu\text{A} \leq I_L \leq 100\ \text{mA}$ , $-40^\circ\text{C} \leq T_J \leq +85^\circ\text{C}$	4.85		5.15	$\text{V}$
Output voltage temperature coefficient <sup>2)</sup>	$V_{th(\text{coeff})}$			50	180	$\text{ppm}/^\circ\text{C}$
Line regulation <sup>3)</sup>	$V_{LINE}$	$6\ \text{V} \leq V_{INPUT} \leq 26\ \text{V}$ , $I_L = 1\ \text{mA}$ , $T_J = +85^\circ\text{C}$		0.2	0.5	%
Load regulation <sup>3)</sup>	$V_L$	$100\ \mu\text{A} \leq I_L \leq 100\ \text{mA}$		0.2	0.6	%
Dropout voltage <sup>4)</sup>	$V_{DROPOUT}$	$I_L = 100\ \mu\text{A}$		40	170	$\text{mV}$
Dropout voltage <sup>4)</sup>	$V_{DROPOUT}$	$I_L = 100\ \mu\text{A}$		380		$\text{mV}$
Dropout voltage <sup>4)</sup>	$V_{DROPOUT}$	$I_L = 100\ \text{mA}$ , $-40^\circ\text{C} \leq T_J \leq +85^\circ\text{C}$			650	$\text{mV}$
Dropout supply current	$I_{SS}$	$V_{INPUT} = 4.5\ \text{V}$ , $I_L = 100\ \mu\text{A}$ , $R_{EXT} = 100\ \text{k}\Omega$ , O/Ps $1\ \text{M}\Omega$ to $V_{OUTPUT}$ , I/Ps at $V_{OUTPUT}$		1.2	1.6	$\text{mA}$
Thermal regulation <sup>5)</sup>	$V_{thr}$	$T_J = +25^\circ\text{C}$ , $I_L = 50\ \text{mA}$ , $V_{INPUT} = 26\ \text{V}$ , $T = 10\ \text{ms}$		0.05	0.25	$\%/W$
Current limit	$I_{Lmax}$	OUTPUT tied to $V_{SS}$		450		$\text{mA}$
OUTPUT noise, 10 Hz to 100kHz	$V_{NOISE}$			200		$\mu\text{V rms}$

$3.0 \leq V_{OUTPUT} \leq 5.5\ \text{V}$ ,  $I_L = 100\ \mu\text{A}$ .  $C_L = 10\ \mu\text{F} + 100\ \text{nF}$ ,  $C_{INPUT} = 22\ \mu\text{F}$ ,  $T_J = -40\text{ to }+85^\circ\text{C}$ , unless otherwise specified

<b>RES and EN</b>						
Output Low Voltage	$V_{OL}$	$V_{OUTPUT} = 4.5\ \text{V}$ , $I_{OL} = 20\ \text{mA}$		0.4		$\text{V}$
	$V_{OL}$	$V_{OUTPUT} = 4.5\ \text{V}$ , $I_{OL} = 8\ \text{mA}$		0.2	0.4	$\text{V}$
	$V_{OL}$	$V_{OUTPUT} = 2.0\ \text{V}$ , $I_{OL} = 4\ \text{mA}$		0.2	0.4	$\text{V}$
	$V_{OL}$	$V_{OUTPUT} = 1.2\ \text{V}$ , $I_{OL} = 0.5\ \text{mA}$		0.06	0.2	$\text{V}$
<b>EN</b>						
Output High Voltage	$V_{OH}$	$V_{OUTPUT} = 4.5\ \text{V}$ , $I_{OH} = -1\ \text{mA}$	3.5	4.1		$\text{V}$
	$V_{OH}$	$V_{OUTPUT} = 2.0\ \text{V}$ , $I_{OH} = -100\ \mu\text{A}$	1.8	1.9		$\text{V}$
	$V_{OH}$	$V_{OUTPUT} = 1.2\ \text{V}$ , $I_{OH} = -30\ \mu\text{A}$	1.0	1.1		$\text{V}$
<b>TCL and <math>V_{IN}</math></b>						
TCL Input Low Level	$V_{IL}$		$V_{SS}$		0.8	$\text{V}$
TCL Input High Level	$V_{IH}$		2.0		$V_{OUTPUT}$	$\text{V}$
Leakage current TCL input	$I_{LI}$	$V_{SS} \leq V_{TCL} \leq V_{OUTPUT}$		0.05	1	$\mu\text{A}$
$V_{IN}$ input resistance	$R_{VIN}$			100		$\text{M}\Omega$
Comparator reference <sup>6)7)</sup>	$V_{REF}$	$T_J = +25^\circ\text{C}$	1.148	1.170	1.200	$\text{V}$
	$V_{REF}$	$20^\circ\text{C} \leq T_J \leq +70^\circ\text{C}$	1.123		1.218	$\text{V}$
	$V_{REF}$		1.123		1.222	$\text{V}$
Comparator hysteresis <sup>7)</sup>	$V_{HY}$			2		$\text{mV}$

Table 3

- <sup>1)</sup> If INPUT is connected to  $V_{SS}$ , no reverse current will flow from the OUTPUT to the INPUT, however the supply current specified will be sunk by the OUTPUT to supply the A6130.
- <sup>2)</sup> The OUTPUT voltage temperature coefficient is defined as the worst case voltage change divided by the total temperature range.
- <sup>3)</sup> Regulation is measured at constant junction temperature using pulse testing with a low duty cycle. Changes in OUTPUT voltage due to heating effects are covered in the specification for thermal regulation.
- <sup>4)</sup> The dropout voltage is defined as the INPUT to OUTPUT differential, measured with the input voltage equal to 5.0 V.
- <sup>5)</sup> Thermal regulation is defined as the change in OUTPUT voltage at a time T after a change in power dissipation is applied, excluding load or line regulation effects.
- <sup>6)</sup> The comparator and the voltage regulator have separate voltage references (see Block Diagram Fig. 7).
- <sup>7)</sup> The comparator reference is the power-down reset threshold. The power-on reset threshold equals the comparator reference voltage plus the comparator hysteresis (see Fig. 4).



## Timing Characteristics

$V_{INPUT} = 6.0\text{ V}$ ,  $I_L = 100\ \mu\text{A}$ ,  $C_L = 10\ \mu\text{F} + 100\ \text{nF}$ ,  $C_{INPUT} = 22\ \mu\text{F}$ ,  $T_J = -40\text{ to }+85^\circ\text{C}$ , unless otherwise specified

Parameter	Symbol	Test Conditions	Min.	Typ.	Max.	Units
Propagation delays: TCL to Output Pins	$T_{DIDO}$			250	500	ns
$V_{IN}$ sensitivity	$T_{SEN}$		1	5	20	$\mu\text{s}$
Logic Transition Times on all Output Pins	$T_{TR}$	Load 10 k $\Omega$ , 50 pF		30	100	ns
Power-on Reset delay	$T_{POR}$	$R_{EXT} = 118\ \text{k}\Omega, \pm 1\%$	90	100	110	ms
Watchdog Time	$T_{WD}$	$R_{EXT} = 118\ \text{k}\Omega, \pm 1\%$	90	100	110	ms
Open Window Percentage	OWP			$\pm 0.2 T_{WD}$		
Closed Window Time	$T_{CW}$			$0.8 T_{WD}$		
Open Window Time	$T_{OW}$	$R_{EXT} = 118\ \text{k}\Omega, \pm 1\%$	72	80	88	ms
Watchdog Reset Pulse	$T_{WDR}$	$R_{EXT} = 118\ \text{k}\Omega, \pm 1\%$	36	40	44	ms
$T_{CL}$ Input Pulse Width	$T_{WDR}$ $T_{TCL}$	$R_{EXT} = 118\ \text{k}\Omega, \pm 1\%$		$T_{WD} / 40$ 2.5		ms ns

Table 4

## Timing Waveforms

### Watchdog Timeout Period

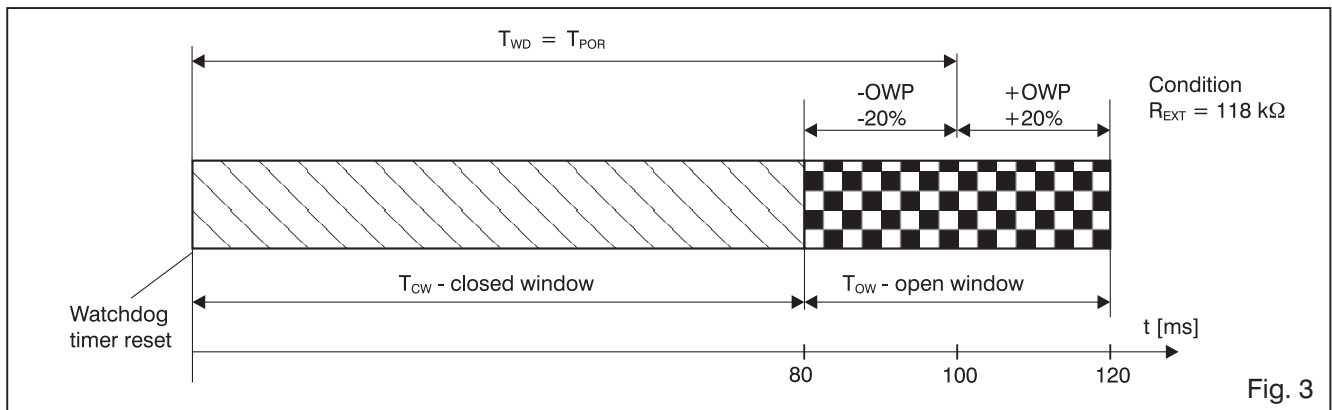


Fig. 3

### Voltage Monitoring

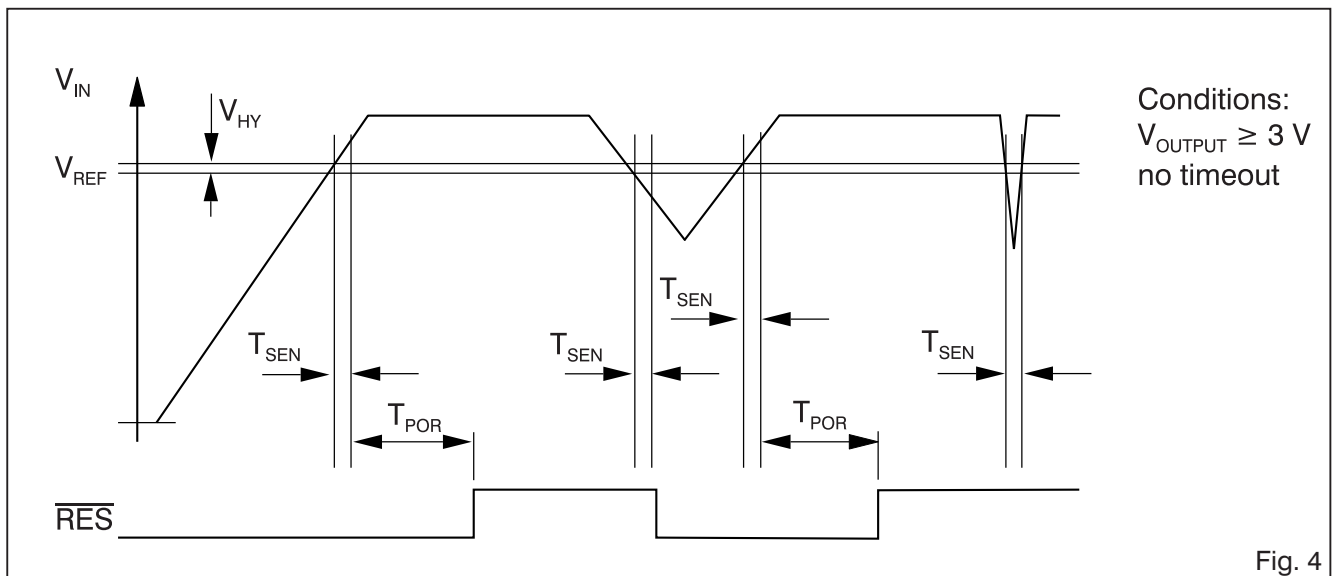
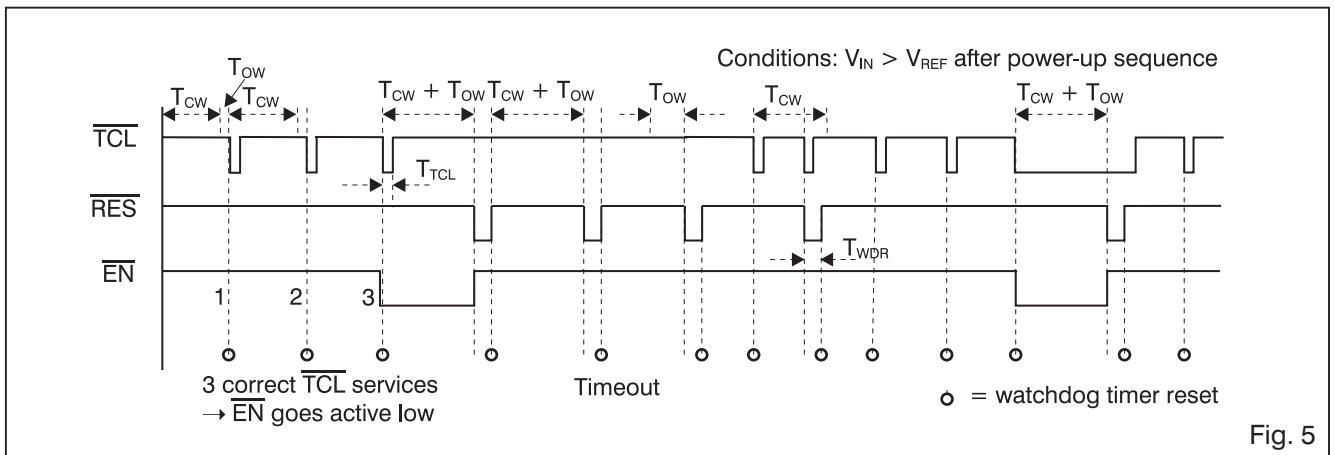


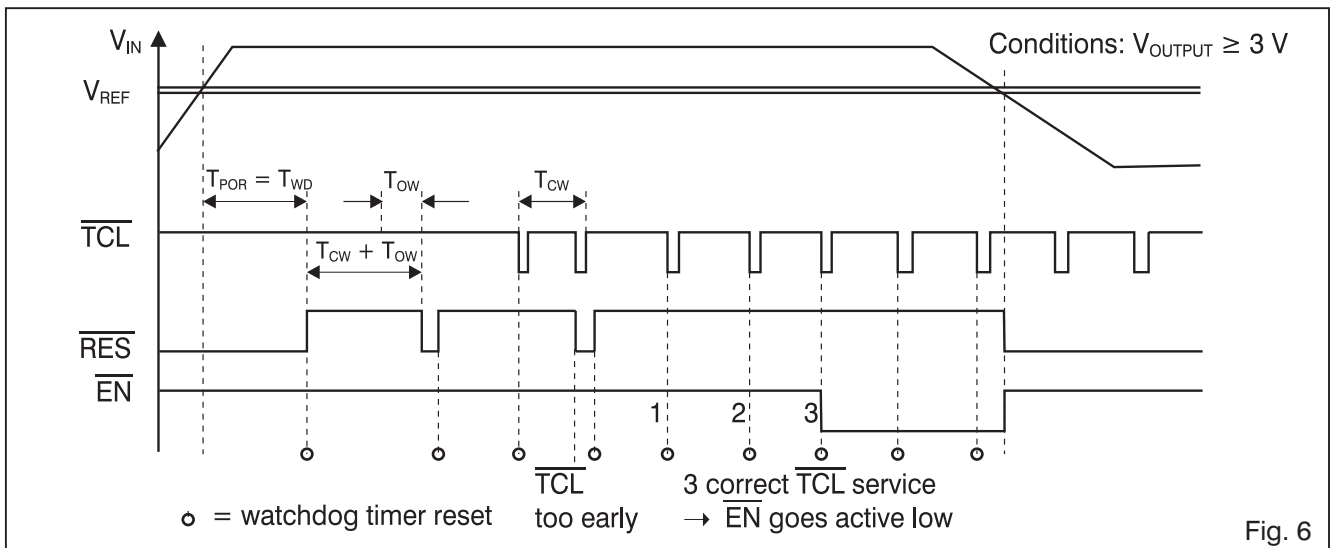
Fig. 4



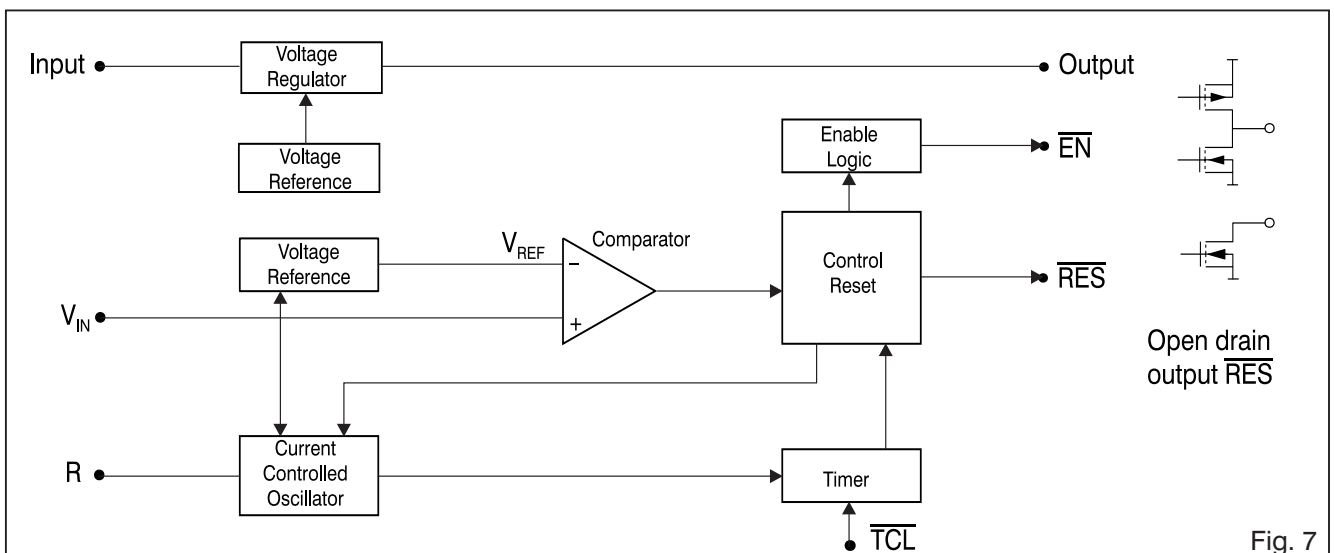
## Timer Reaction



## Combined Voltage and Timer Reaction



## Block Diagram





## Pin Description

Pin	Name	Function
1	$\overline{\text{EN}}$	Push-pull active low enable output
2	RES	Open drain active low reset output. RES must be pulled up to $V_{\text{OUTPUT}}$ even if unused
3	$\overline{\text{TCL}}$	Watchdog timer clear input signal
4	$V_{\text{SS}}$	GND terminal
5	INPUT	Voltage regulator input
6	OUTPUT	Voltage regulator output
7	R	$R_{\text{EXT}}$ input for RC oscillator tuning
8	$V_{\text{IN}}$	Voltage comparator input

Table 5

## Functional Description

### Voltage Regulator

The A6130 has a  $5\text{ V} \pm 2\%$ , 100 mA, low dropout voltage regulator. The low supply current (typ.  $155\ \mu\text{A}$ ) makes the A6130 particularly suited to automotive systems then remain energized 24 hours a day. The input voltage range is 2.3 V to 26 V for operation and the input protection includes both reverse battery (20 V below ground) and load dump (positive transients up to 60 V). There is no reverse current flow from the OUTPUT to the INPUT when the INPUT equals  $V_{\text{SS}}$ . This feature is important for systems which need to implement (with capacitance) a minimum power supply hold-up time in the event of power failure. To achieve good load regulation a  $22\ \mu\text{F}$  capacitor (or greater) is needed on the INPUT (see Fig. 8). Tantalum or aluminium electrolytics are adequate for the  $22\ \mu\text{F}$  capacitor; film types will work but are relatively expensive. Many aluminium electrolytics have electrolytes that freeze at about  $-30^\circ\text{C}$ , so tantalums are recommended for operation below  $-25^\circ\text{C}$ . The important parameters of the  $22\ \mu\text{F}$  capacitor are an effective series resistance of  $\leq 5\ \Omega$  and a resonant frequency above 500 kHz.

A  $10\ \mu\text{F}$  capacitor (or greater) and a 100 nF capacitor are required on the OUTPUT to prevent oscillations due to instability. The specification of the  $10\ \mu\text{F}$  capacitor is as per the  $22\ \mu\text{F}$  capacitor on the INPUT (see previous paragraph).

The A6130 will remain stable and in regulation with no external load and the dropout voltage is typically constant as the input voltage fall to below its minimum level (see Table 2). These features are especially important in CMOS RAM keep-alive applications.

Care must be taken not to exceed the maximum junction temperature ( $+85^\circ\text{C}$ ). The power dissipation within the A6130 is given by the formula:

$$P_{\text{TOTAL}} = (V_{\text{INPUT}} - V_{\text{OUTPUT}}) \cdot I_{\text{OUTPUT}} + (V_{\text{INPUT}}) \cdot I_{\text{SS}}$$

The maximum continuous power dissipation at a given temperature can be calculated using the formula:

$$P_{\text{MAX}} = (85^\circ\text{C} - T_A) / R_{\text{th(j-a)}}$$

where  $R_{\text{th(j-a)}}$  is the thermal resistance from the junction to the ambient and is specified in Table 2. Note the  $R_{\text{th(j-a)}}$  given in Table 2 assumes that the package is soldered to a PCB. The above formula for maximum power dissipa-

tion assumes a constant load (ie.  $\geq 100\ \text{s}$ ). The transient thermal resistance for a single pulse is much lower than the continuous value. For example the A6130 in DIP8 package will have an effective thermal resistance from the junction to the ambient of about  $10^\circ\text{C}/\text{W}$  for a single 100 ms pulse.

### $V_{\text{IN}}$ Monitoring

The power-on reset and the power-down reset are generated as a response to the external voltage level applied on the  $V_{\text{IN}}$  input. The  $V_{\text{DD}}$  voltage at which reset is asserted or released is determined by the external voltage divider between  $V_{\text{DD}}$  and  $V_{\text{SS}}$ , as shown on Fig. 8. A part of  $V_{\text{DD}}$  is compared to the internal voltage reference. To determine the values of the divider, the leakage current at  $V_{\text{IN}}$  must be taken into account, as well as the current consumption of the divider itself. Low resistor values will need more current, but high resistor values will make the reset threshold less accurate at high temperature, due to a possible leakage current at the  $V_{\text{IN}}$  input. The sum of the two resistors should stay below 300 k $\Omega$ . The formula is:  $V_{\text{RESET}} = V_{\text{REF}} \cdot (1 + R_1/R_2)$ .

Example: choosing  $R_1 = 100\ \text{k}\Omega$  and  $R_2 = 36\ \text{k}\Omega$  will result in a  $V_{\text{DD}}$  reset threshold of 4.42 V (typ.).

At power-up the reset output (RES) is held low (see Fig. 4). After INPUT reaches 3.36 V (and so OUTPUT reaches at least 3 V) and  $V_{\text{IN}}$  becomes greater than  $V_{\text{REF}}$  the  $\overline{\text{RES}}$  output is held low for an additional power-on-reset (POR) delay which is equal to the watchdog time  $T_{\text{WD}}$  (typically 100 ms with an external resistor of 118 k $\Omega$  connected at R pin). The POR delay prevents repeated toggling of RES even if  $V_{\text{IN}}$  and the INPUT voltage drops out and recovers. The POR delay allows the microprocessor's crystal oscillator time to start and stabilize and ensures correct recognition of the reset signal to the microprocessor.

The  $\overline{\text{RES}}$  output goes active low generating the power-down reset whenever  $V_{\text{IN}}$  falls below  $V_{\text{REF}}$ . The sensitivity or reaction time of the internal comparator to the voltage level on  $V_{\text{IN}}$  is typically 5  $\mu\text{s}$ .

### Timer Programming

The on-chip oscillator with an external resistor  $R_{\text{EXT}}$  connected between the R pin and  $V_{\text{SS}}$  (see Fig. 8) allows the user to adjust the power-on reset (POR) delay, watchdog time  $T_{\text{WD}}$  and with this also the closed and open time windows as well as the watchdog reset pulse width ( $T_{\text{WD}}/40$ ). With  $R_{\text{EXT}} = 118\ \text{k}\Omega$  typical values are:

- Power-on reset delay:  $T_{\text{POR}}$  is 100 ms
- Watchdog time:  $T_{\text{WD}}$  is 100 ms
- Closed window:  $T_{\text{CW}}$  is 80 ms
- Open window:  $T_{\text{OW}}$  is 40 ms
- Watchdog reset:  $T_{\text{WDR}}$  is 2.5 ms

Note: the current consumption increases as the frequency increases.

### Watchdog Timeout Period Description

The watchdog timeout period is divided into two parts, a "closed" window and an "open" window (see Fig. 3) and is defined by two parameters,  $T_{\text{WD}}$  and the Open Window Percentage (OWP). The closed window starts just after

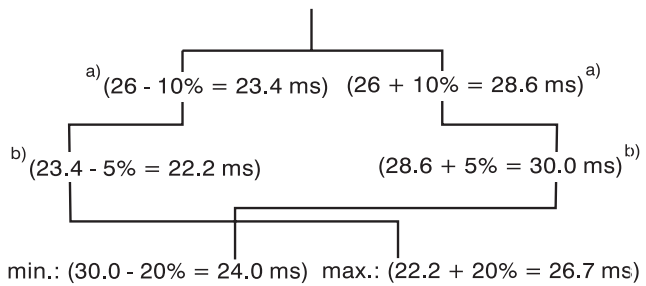


the watchdog timer resets and is defined by  $T_{CW} = T_{WD} - OWP(T_{WD})$ . The open window starts after the closed time window finishes and lasts till  $T_{WD} + OWP(T_{WD})$ . The open window time is defined by  $T_{OW} = 2 \times OWP(T_{WD})$ .

For example if  $T_{WD} = 100$  ms (actual value) and  $OWP = \pm 20\%$  this means the closed window lasts during first the 80 ms ( $T_{CW} = 80$  ms =  $100$  ms -  $0.2$  (100 ms)) and the open window the next 40 ms ( $T_{OW} = 2 \times 0.2$  (100 ms) = 40 ms). The watchdog can be serviced between 80 ms and 120 ms after the timer reset. However as the time base is  $\pm 10\%$  accurate, software must use the following calculation for servicing signal  $\overline{TCL}$  during the open window:

Related to curves (Fig. 10 to Fig. 20), especially Fig. 19 and Fig. 20, the relation between  $T_{WD}$  and  $R_{EXT}$  could easily be defined. Let us take an example describing the variations due to production and temperature:

1. Choice,  $T_{WD} = 26$  ms.
2. Related to Fig. 20, the coefficient ( $T_{WD}$  to  $R_{EXT}$ ) is 1.125 where  $R_{EXT}$  is in k $\Omega$  and  $T_{WD}$  in ms.
3.  $R_{EXT}$  (typ.) =  $26 \times 1.125 = 29.3$  k $\Omega$ .
4. 26 ms at  $+25^\circ\text{C}$



min.: (30.0 - 20% = 24.0 ms) max.: (22.2 + 20% = 26.7 ms)

Typical  $\overline{TCL}$  period of  
 $(24.0 + 26.7) / 2 = 25.4$  ms

The ratio between  $T_{WD} = 26$  ms and the ( $\overline{TCL}$  period) = 25.4 ms is 0.975.

Then the relation over the production and the full temperature range is  $\overline{TCL}$  period =  $0.975 \times T_{WD}$  or

$\overline{TCL}$  period =  $\frac{0.975 \times R_{EXT}}{1.125}$ , as typical value.

- a) While PRODUCTION value unknown for the customer when  $R_{EXT} \neq 118$  k $\Omega$ .
  - b) While operating TEMPERATURE range  $-40^\circ\text{C} \leq T_J \leq +85^\circ\text{C}$ .
5. If you fixed a  $\overline{TCL}$  period = 26 ms  
 $\Rightarrow R_{EXT} = \frac{26 \times 1.125}{0.975} = 30$  k $\Omega$ .

If during your production the  $T_{WD}$  time can be measured at  $T_J = +25^\circ\text{C}$  and the  $\mu\text{C}$  can adjust the  $\overline{TCL}$  period, then the  $\overline{TCL}$  period range will be much larger for the full operating temperature.

### Timer Clearing and $\overline{RES}$ Action

The watchdog circuit monitors the activity of the processor. If the user's software does not send a pulse to the  $\overline{TCL}$  input within the programmed open window timeout period a short watchdog  $\overline{RES}$  pulse is generated which is equal to  $T_{WD} / 40 = 2.5$  ms typically (see Fig. 5).

With the open window constraint new security is added to

conventional watchdogs by monitoring both software cycle time and execution. Should software clear the watchdog too quickly (incorrect cycle time) or too slowly (incorrect execution) it will cause the system to be reset. If software is stuck in a loop which includes the routine to clear the watchdog then a conventional watchdog would not make a system reset even though software is malfunctioning; the A6130 would make a system reset because the watchdog would be cleared too quickly.

If no  $\overline{TCL}$  signal is applied before the closed and open windows expire,  $\overline{RES}$  will start to generate square waves of period ( $T_{CW} + T_{OW} + T_{WDR}$ ). The watchdog will remain in this state until the next  $\overline{TCL}$  falling edge appears during an open window, or until a fresh power-up sequence. The system enable output,  $\overline{EN}$ , can be used to prevent critical control functions being activated in the event of the system going into this failure mode (see section "Enable -  $\overline{EN}$  Output"). The  $\overline{RES}$  output must be pulled up to  $V_{OUTPUT}$  even if the output is not used by the system (see Fig. 8).

### Combined Voltage and Timer Action

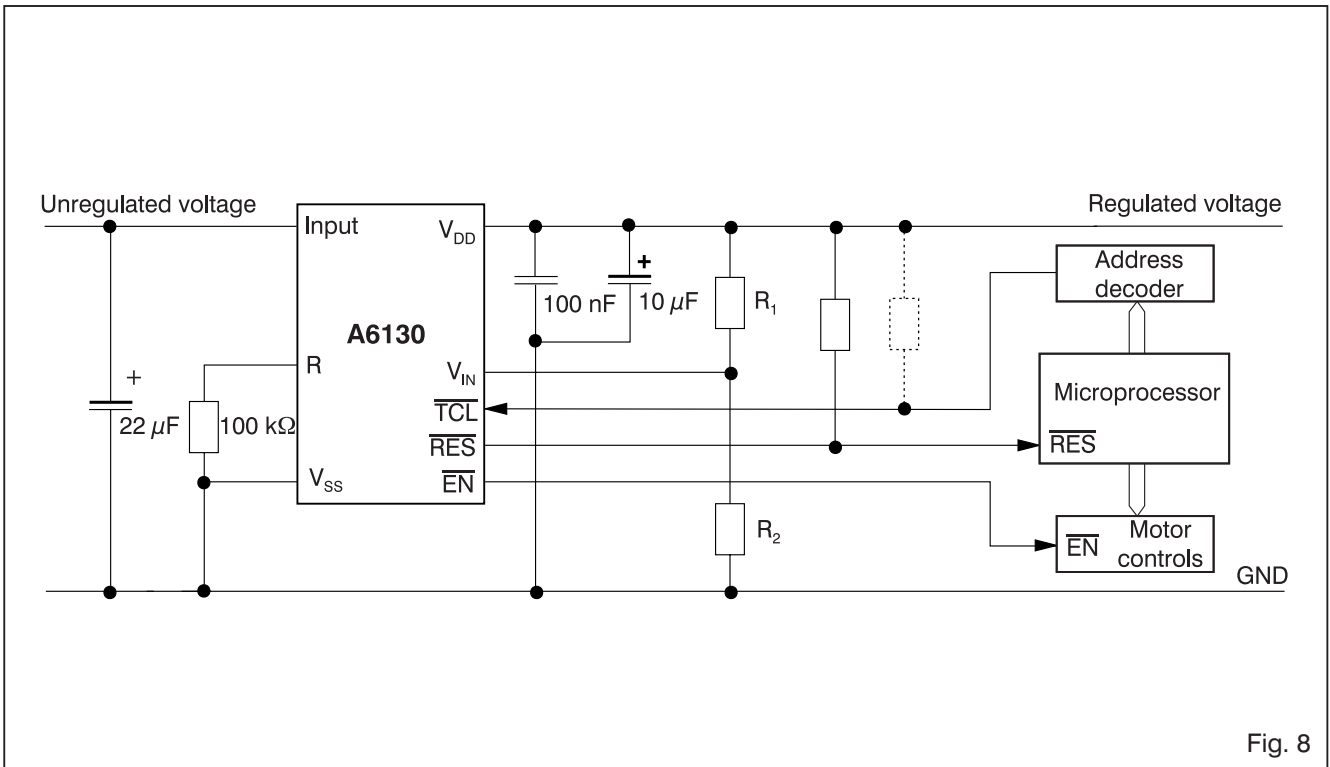
The combination of voltage and timer actions is illustrated by the sequence of events shown in Fig. 6. On power-up, when the voltage at  $V_{IN}$  reaches  $V_{REF}$ , the power-on-reset, POR, delay is initialized and holds  $\overline{RES}$  active for the time of the POR delay. A  $\overline{TCL}$  pulse will have no effect until this power-on-reset delay is completed. When the risk exists that  $\overline{TCL}$  temporarily floats, e.g. during  $T_{POR}$ , a pull-up to  $V_{DD}$  is required on that pin. After the POR delay has elapsed,  $\overline{RES}$  goes inactive and the watchdog timer starts acting. If no  $\overline{TCL}$  pulse occurs,  $\overline{RES}$  goes active low for a short time  $T_{WDR}$  after each closed and open window period. A  $\overline{TCL}$  pulse coming during the open window clears the watchdog timer. When the  $\overline{TCL}$  pulse occurs too early (during the closed window),  $\overline{RES}$  goes active and a new timeout sequence starts. A voltage drop below the  $V_{REF}$  level for longer than typically 5  $\mu\text{s}$  overrides the timer and immediately forces  $\overline{RES}$  active and  $\overline{EN}$  inactive. Any further  $\overline{TCL}$  pulse has no effect until the next power-up sequence has completed.

### Enable - $\overline{EN}$ Output

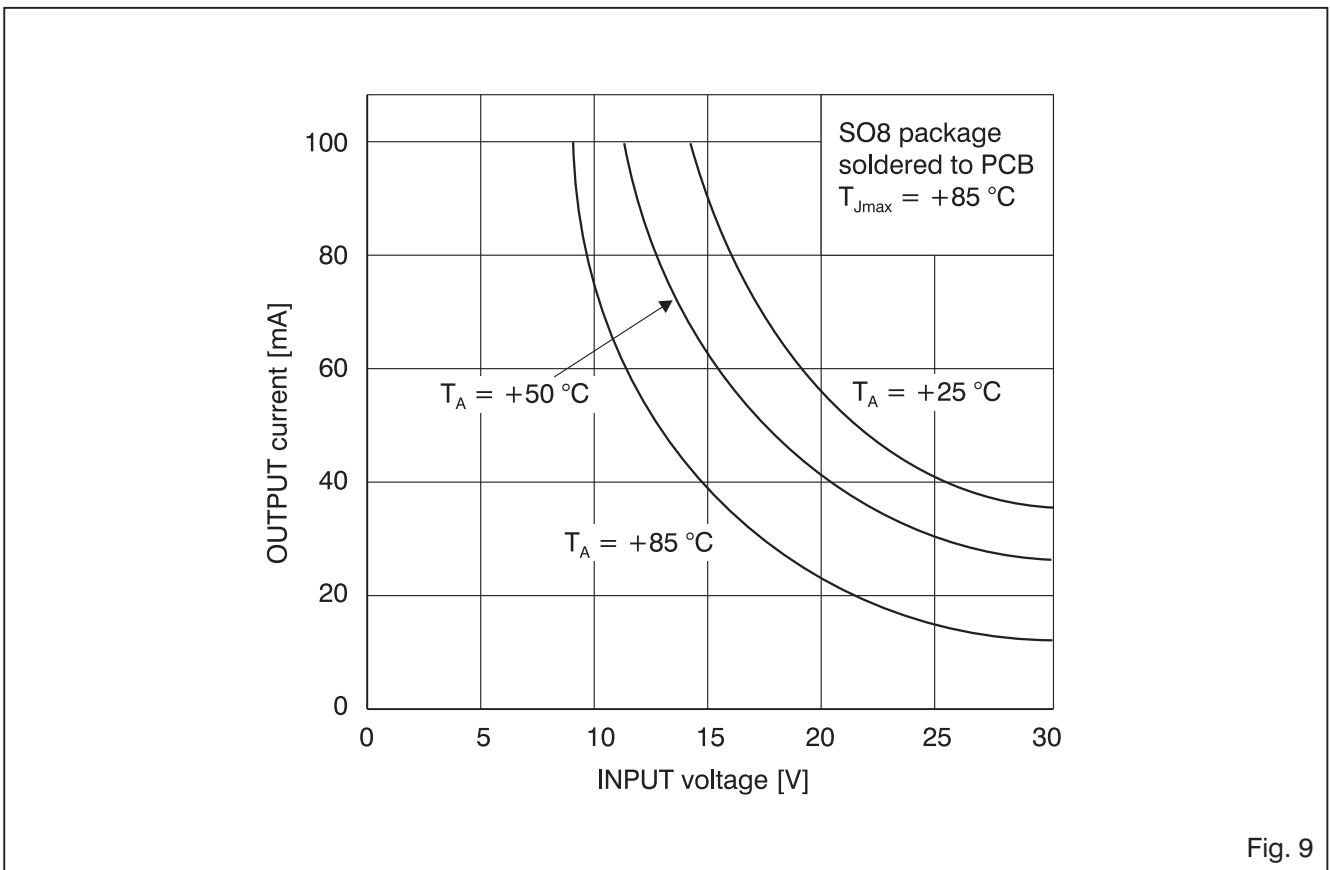
The system enable output,  $\overline{EN}$ , is inactive always when  $\overline{RES}$  is active and remains inactive after a  $\overline{RES}$  pulse until the watchdog is serviced correctly 3 consecutive times (ie. the  $\overline{TCL}$  pulse must come in the open window). After three consecutive services of the watchdog with  $\overline{TCL}$  during the open window, the  $\overline{EN}$  goes active low. A malfunctioning system would be repeatedly reset by the watchdog. In a conventional system critical motor controls could be energized each time reset goes inactive (time allowed for the system to restart) and in this way the electrical motors driven by the system could function out of control. The A6130 prevents the above failure mode by using the  $\overline{EN}$  output to disable the motor controls until software has successfully cleared the watchdog three times (ie. the system has correctly restarted after a reset condition).



## Typical Application



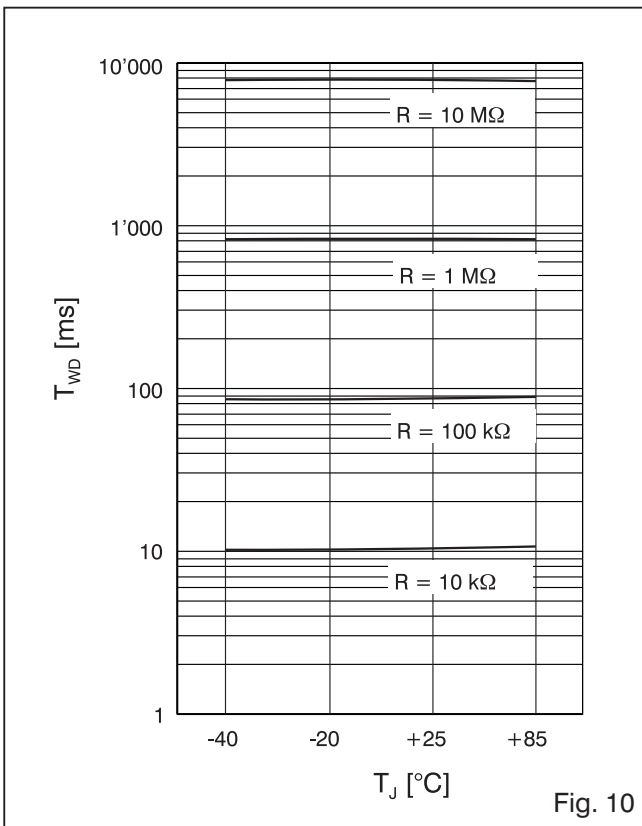
## OUTPUT Current versus INPUT Voltage



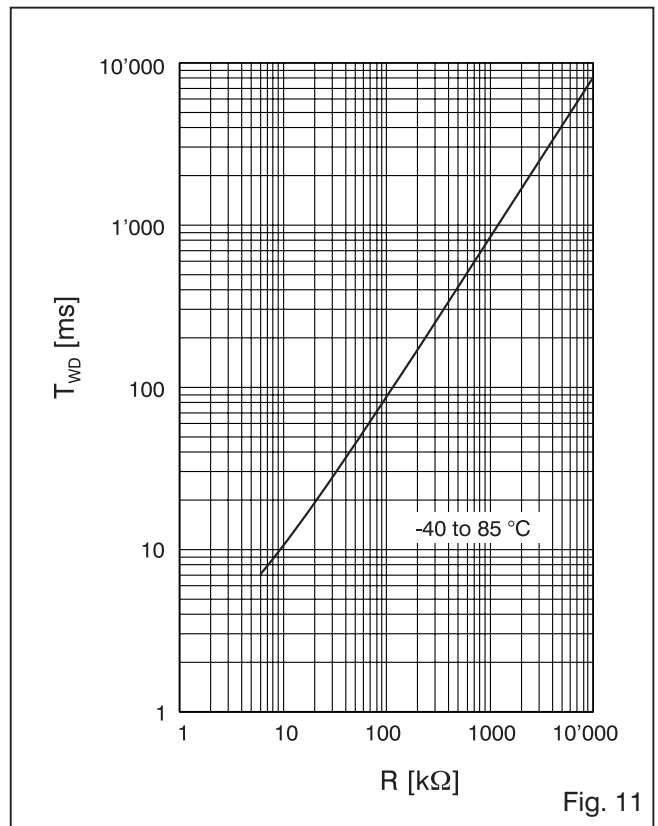




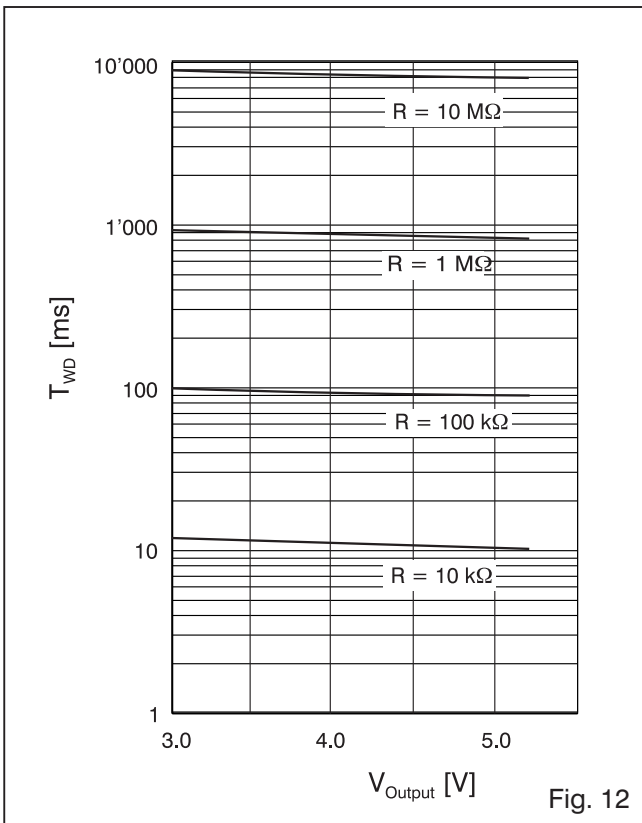
**$T_{WD}$  versus Temperature at 5 V**



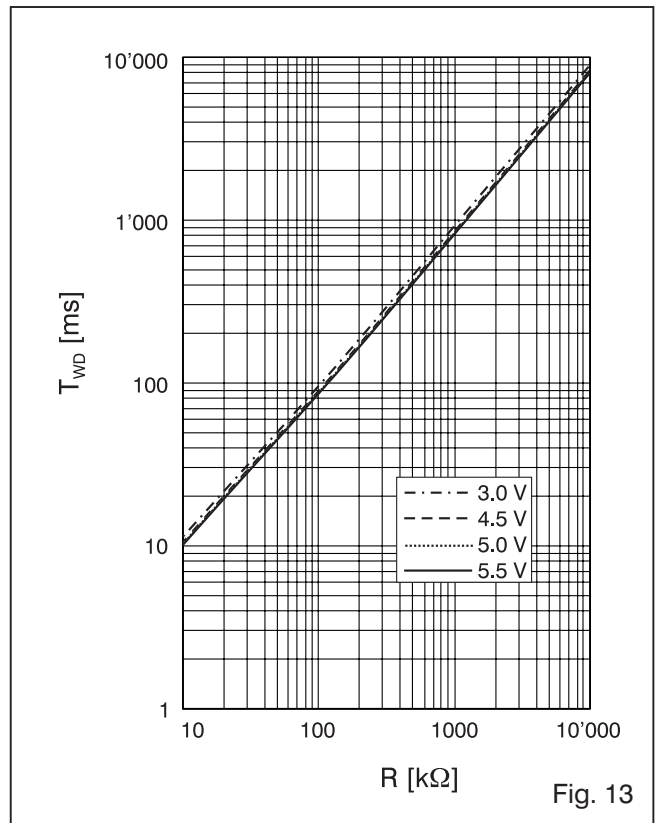
**$T_{WD}$  versus R at 5 V**



**$T_{WD}$  versus  $V_{OUTPUT}$  at  $T_J = +25^\circ\text{C}$**

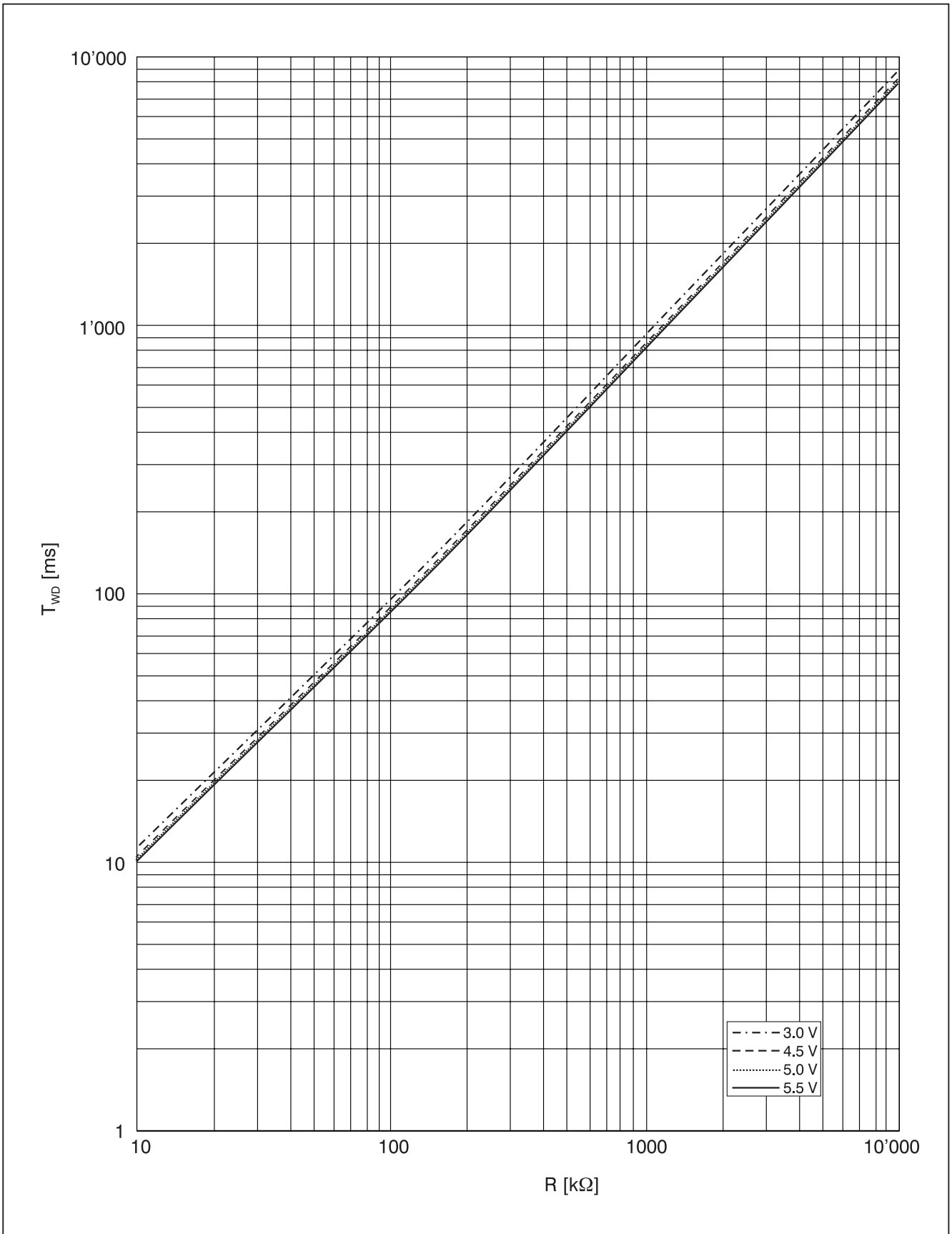


**$T_{WD}$  versus R at  $T_J = +25^\circ\text{C}$**



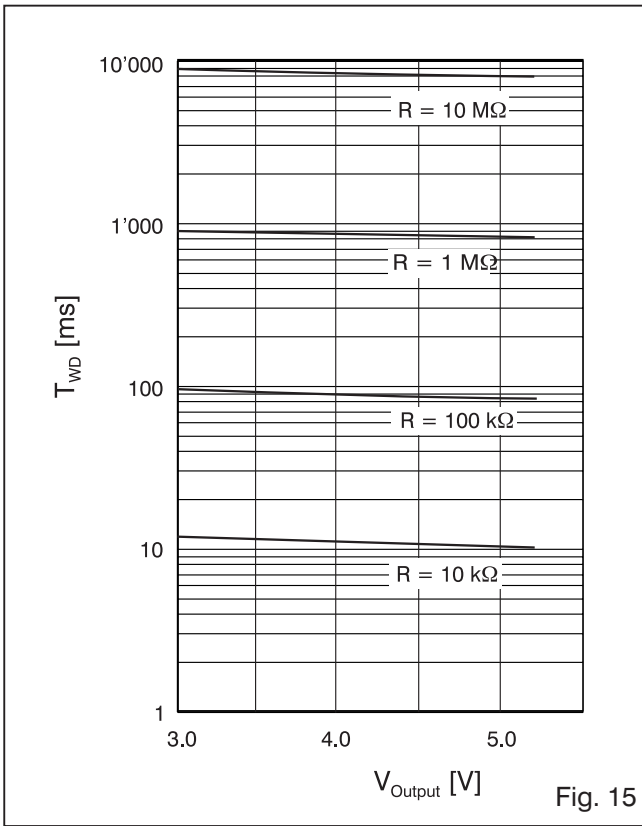


# A6130

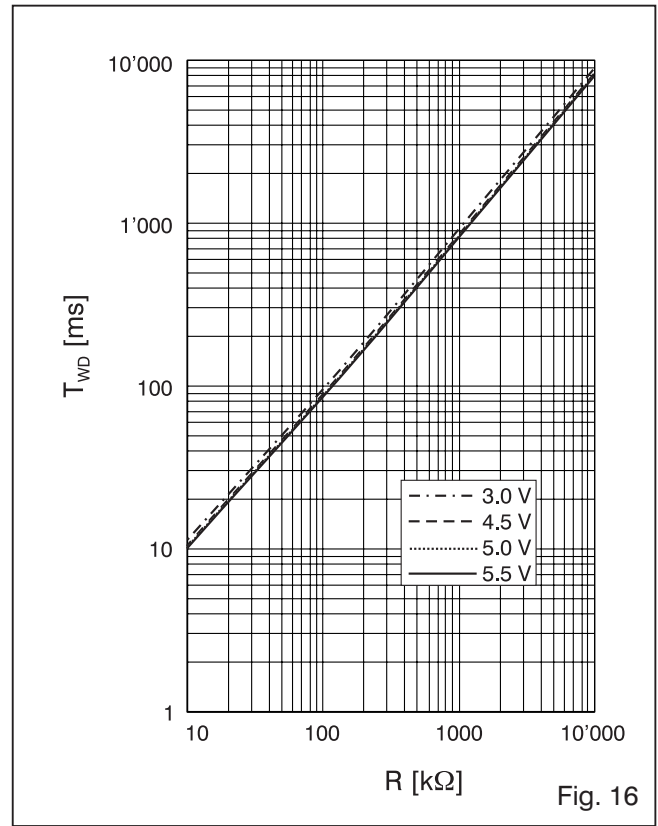




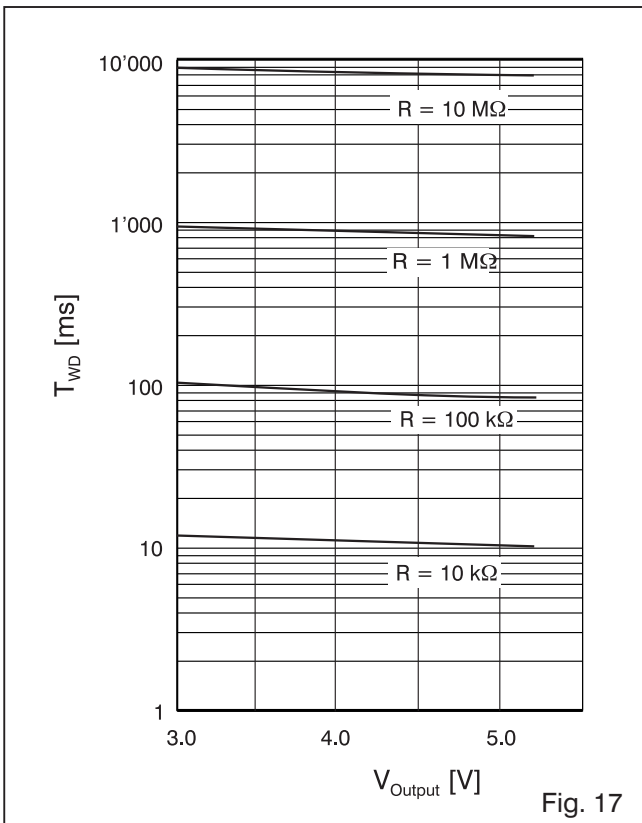
$T_{WD}$  versus  $V_{DD}$  at  $T_J = +85^\circ\text{C}$



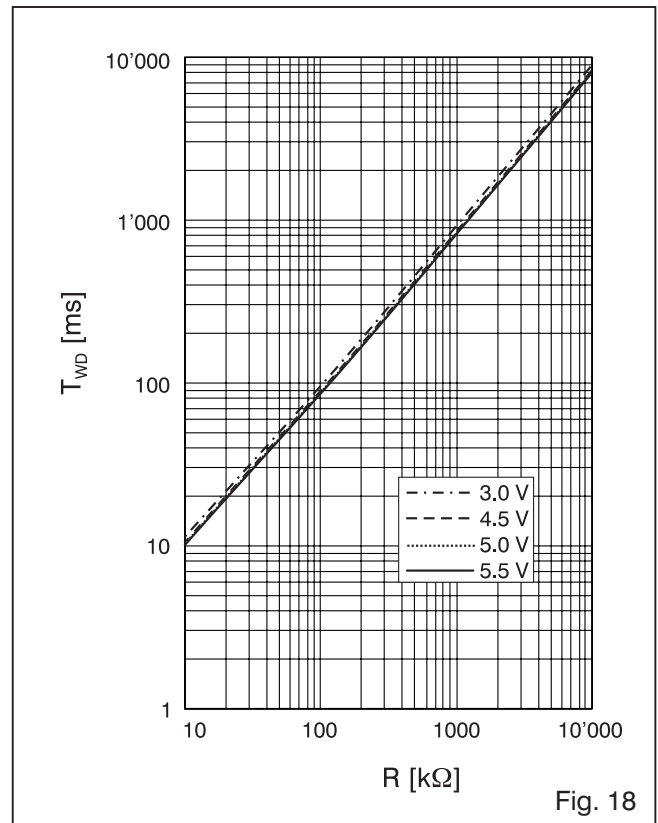
$T_{WD}$  versus  $R$  at  $T_J = +85^\circ\text{C}$



$T_{WD}$  versus  $V_{OUTPUT}$  at  $T_J = -40^\circ\text{C}$

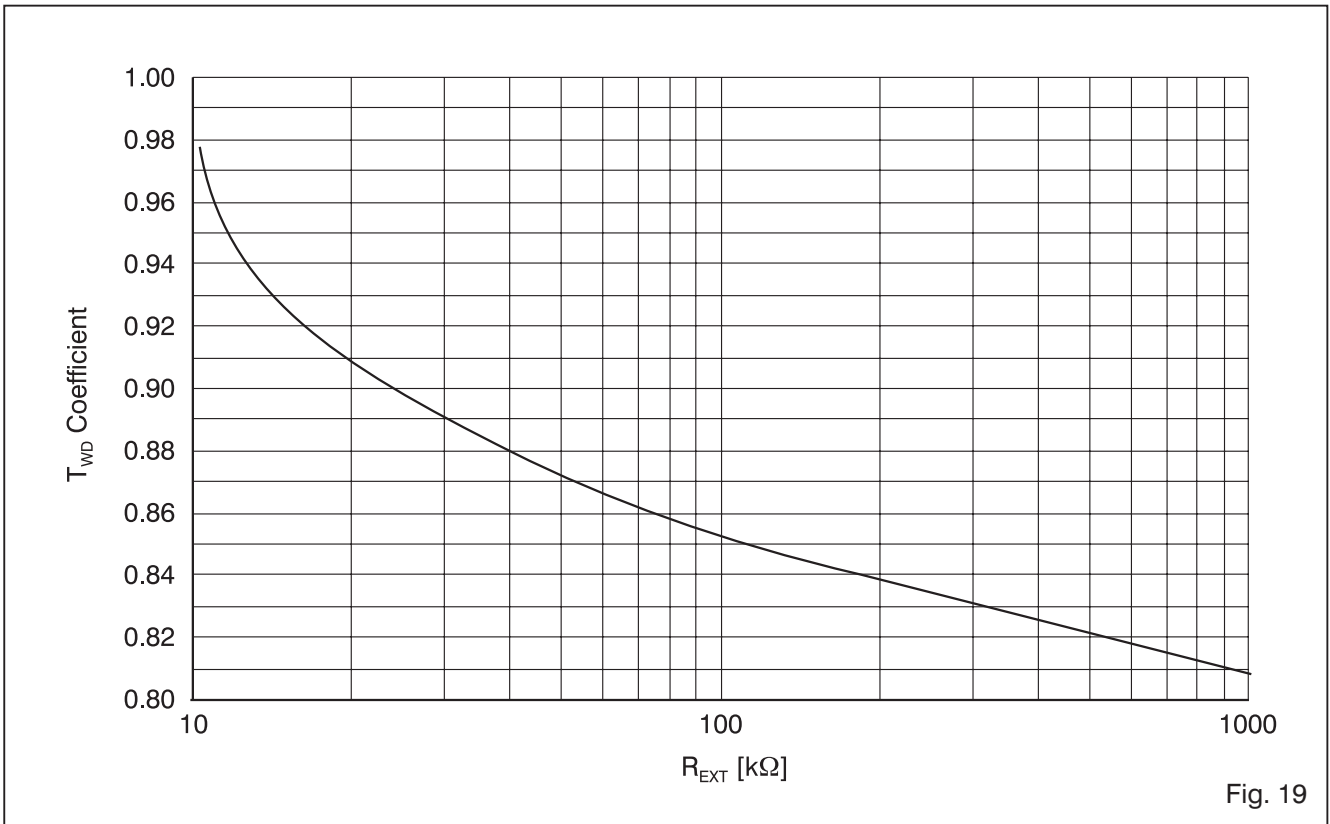


$T_{WD}$  versus  $R$  at  $T_J = -40^\circ\text{C}$

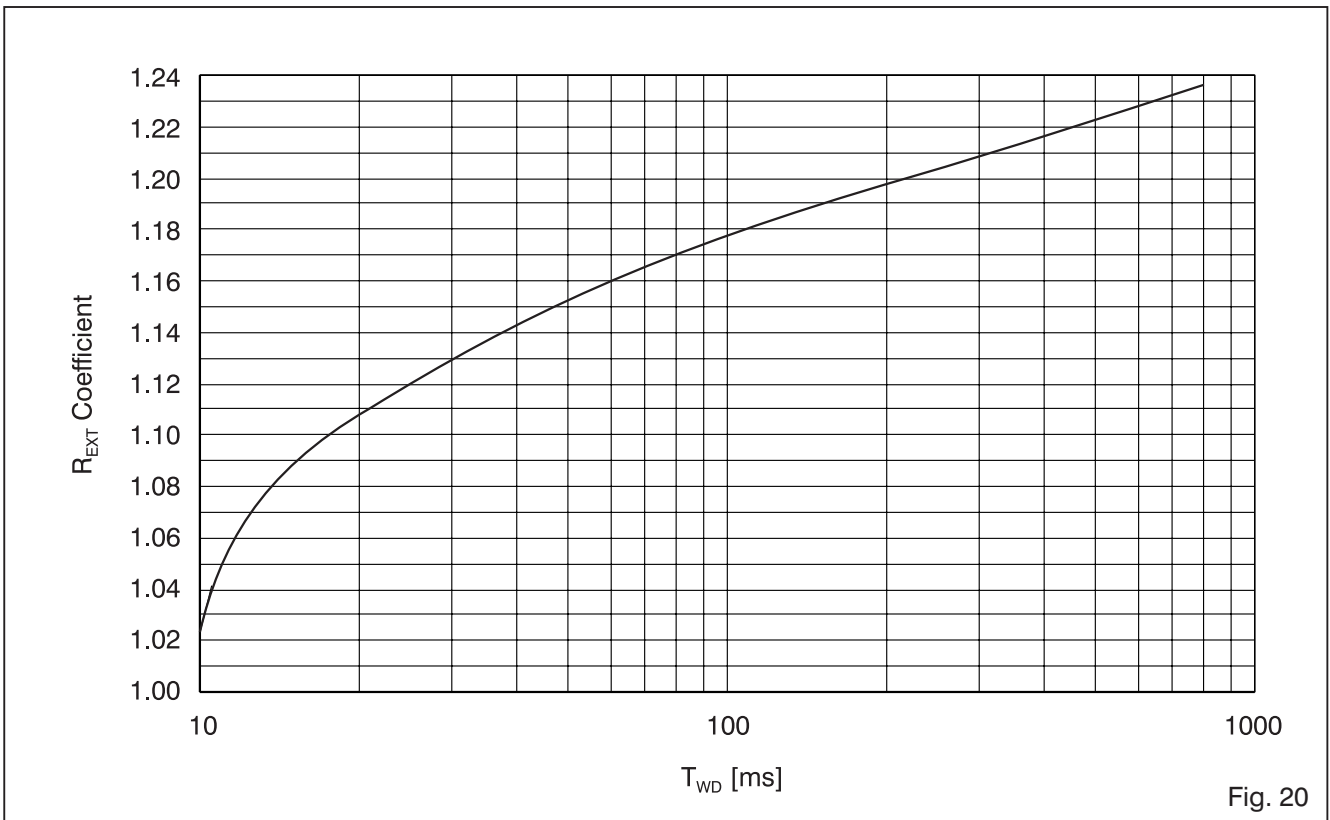




**$T_{WD}$  Coefficient versus  $R_{EXT}$  at  $T_J = +25^\circ\text{C}$**



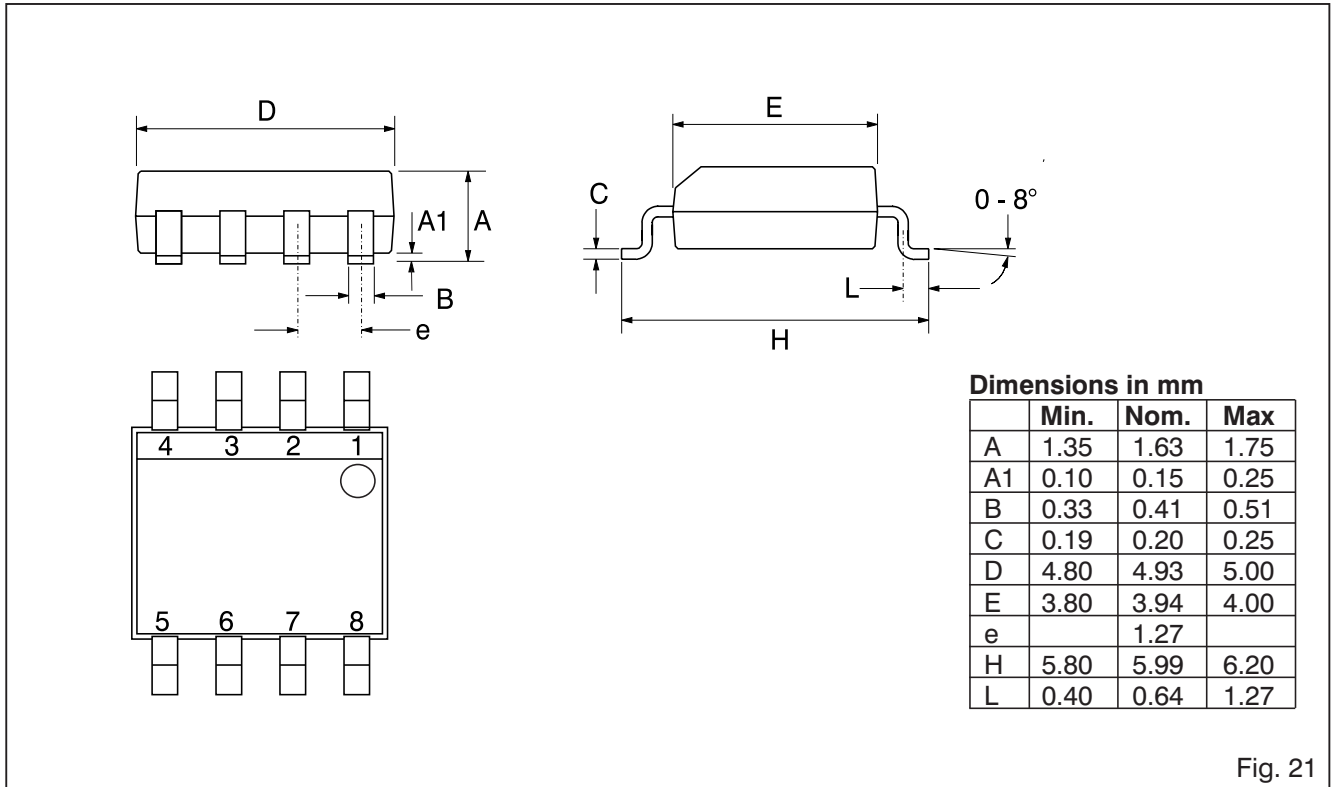
**$R_{EXT}$  Coefficient versus  $T_{WD}$  at  $T_J = +25^\circ\text{C}$**



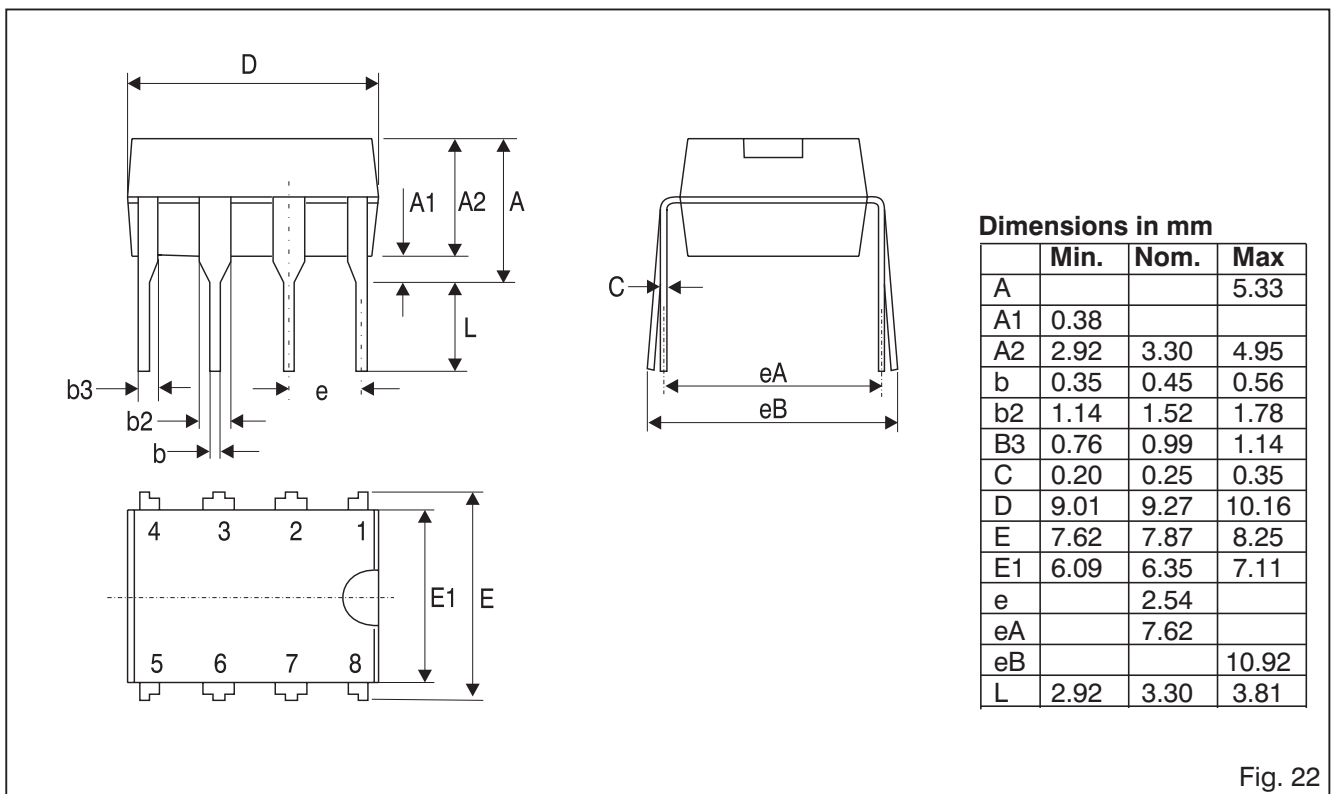


## Package and Ordering Information

### Dimensions of 8-pin SOIC Package



### Dimensions of 8-pin plastic DIP Package





# A6130

## Ordering Information

When ordering please specify complete part number.

Part Number	Package	Delivery Form	Package Marking (first line)
A6130DL8A	8-pin plastic DIP	Stick	A6130
A6130SO8A	8-pin SOIC	Stick	6130A
A6130SO8B	8-pin SOIC	Tape & Reel	6130A

EM Microelectronic-Marín SA cannot assume responsibility for use of any circuitry described other than circuitry entirely embodied in an EM Microelectronic-Marín SA product. EM Microelectronic-Marín SA reserves the right to change the circuitry and specifications without notice at any time. You are strongly urged to ensure that the information given has not been superseded by a more up-to-date version.