



LCD - AD-CONTROLLER BOARD

Model No. AB1680L-300AT

FUNCTIONAL DRAFT SPECIFICATION

(This document is meant for customers' approval)

THIS DOCUMENT CONTAINS PROPRIETARY INFORMATION WHICH IS SOLELY OWNED BY 'Encore Electronic Engineering Ltd., Hong Kong'. ANY UNAUTHORISED COPY OR PRINTING OR PUBLISHING OF INFORMATION IN THIS DOCUMENT IN PART OR IN COMPLETE IS RESTRICTED.
(Manufacturer reserves the sole right to change the specifications without prior notice)

ENCORE ELECTRONIC ENGINEERING LTD.

Email : sales@encore-electronic.com URL: www.encore-electronic.com

Index:

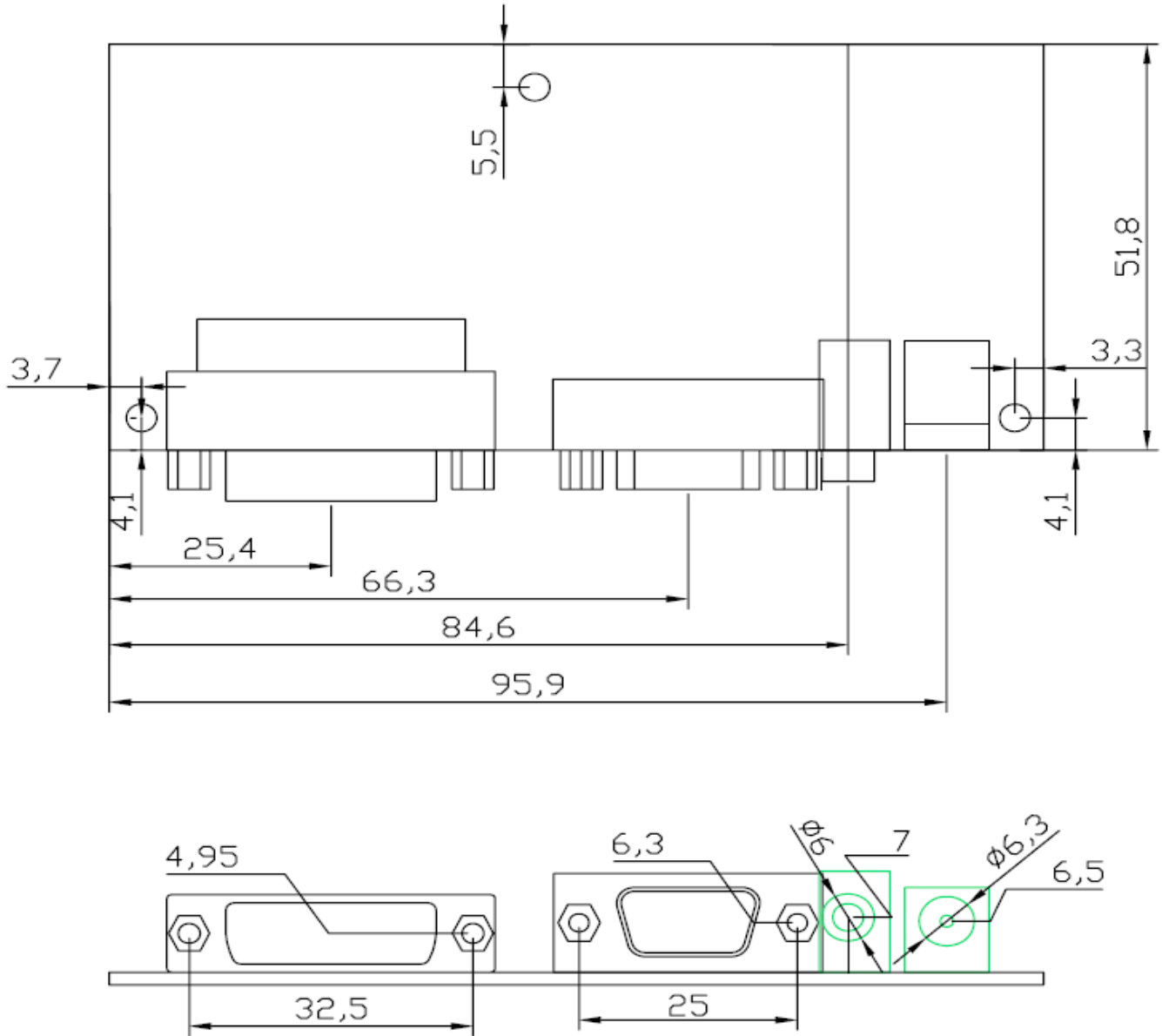
1} Specification of Ad-Board.....	3
2} Dimensions of Ad- Board and OSD.....	4
3} Picture of Ad-Board and OSD.....	5
4} Connector & Pin assignment.....	6
5} Output Connector.....	6
6} Input Connector.....	7
7} Inverter Interface Details	8
8} Frequency Details.....	8
9} Power Selection Jumper.....	8

1. Specification:

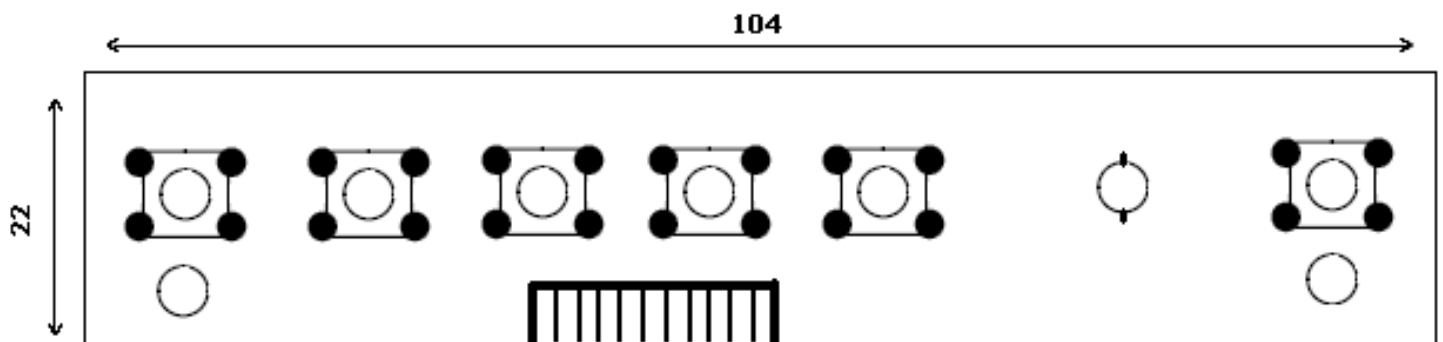
Model No.	AB1680L-200AT	
Chipset	RTD2261	
Supported Resolution	PC-RGB	VGA : 640 X 480 / 720 X 400
		SVGA : 800 X 600
		XGA: 1024 X 768
		SXGA: 1280 X 1024
		WXGA: 1680 X 1050
	DVI	DVI-I /DVI-D DDC
Audio Input	PC-RGB	PH Connector input
Power Supply	Power Requirement	Input Power 12V
	To Supply	3.3V, 5V, 12V
	Manage	Low Power Consumable mode: Standby<3W
OSD Language (Optional)		English (Chinese, French, Spanish)
Key Functions		Auto, Menu, Left, Right, Exit, ON/OFF
Audio Output		2 x 2W (8 OHM)
Terminal Input	PC-RGB Input	1D-SUB 15pin terminal
	DVI Input	1DVI 24pin terminal
	PC-RGB Audio input	1 Earphone Terminal
Technical's Output	To Panel	LVDS 2 x 15 30pin Jack (Pitch 2.0mm) 18/24bit
Output Interface		18 / 24-bit LVDS
Operating Temperature		0 - +40°C
Storage Temperature		-10 - +60°C
Humidity		≤80% (Non-Condensing)
Size		106.8 x 51.5 mm

2. Dimension:

(i) Ad-Board:



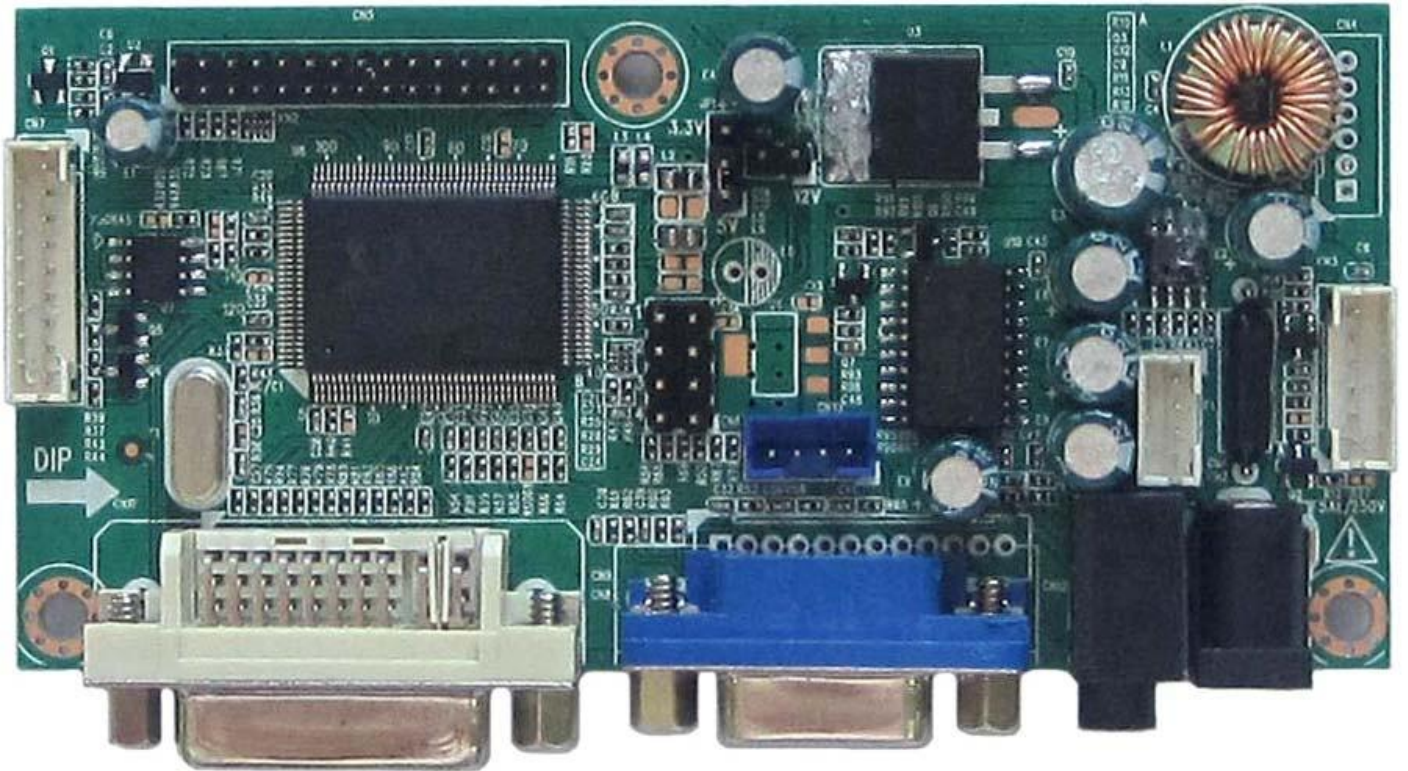
(ii) OSD:



Keypad key indication: AUTO /MENU / LEFT / RIGHT / EXIT-SELECT / LED / POWER

3. Ad-Board Picture:

(i) Top View:



(ii) OSD:



4. Connector & Pin assignment:

4.1 Output Connection: (LVDS Connector 2x 15pin Pitch=2.0mm) CN5:

Pin	Function	Pin	Function	Pin	Function	Pin	Function
1	LCDPWR	9	TXE1-	17	TXE3-	25	GND
2	CT	10	TXE1+	18	TXE3+	26	GND
3	LCDPWM	11	TXE2-	19	TXO0-	27	TXOC-
4	GND	12	TXE2+	20	TXO0+	28	TXOC+
5	GND	13	GND	21	TXO1-	29	TXO3-
6	GND	14	GND	22	TXO1+	30	TXO3+
7	TXE0-	15	TXEC-	23	TXO2-		
8	TXE0+	16	TXEC+	24	TXO2+		

4.2 Input Interface Details:

(I) VGA Interface Details (15 pin VGA Connector):

Pin	Function	Pin	Function
1	Red	9	No Connection
2	Green	10	Ground- Sync
3	Blue	11	No Connection
4	No Connection	12	Data (SDA)
5	Ground	13	Horizontal Sync
6	Ground- Red	14	Vertical Sync
7	Ground- Green	15	Clock (SCL)
8	Ground- Blue		

(II) DVI-D Connection (24 pin DVI Connector):

Pin	Function	Pin	Function	Pin	Function
1	TMDS Data 2-	9	TMDS Data 1+	17	TMDS Data 0-
2	TMDS Data 2+	10	TMDS Data 1+	18	TMDS Data 0+
3	TMDS Data 2/4	11	TMDS Data 1/3	19	TMDS Data 0/5
4	TMDS Data 4-	12	TMDS Data 3-	20	TMDS Data 5-
5	TMDS Data 4+	13	TMDS Data 3+	21	TMDS Data 5+
6	DDC Clock	14	5V Power	22	TMDS Clock Shield
7	DDC Data	15	GND	23	TMDS Clock-
8	TMDS Data 1-	16	Hot Plug Detect	24	TMDS Clock+

(III) DVI (14 pin DVI Connector) Optional:

Pin	Function	Pin	Function
1	RX2P	8	RXCN
2	RX2N	9	GND
3	RX1P	10	DDC2_SCL
4	RX1N	11	DDC2_SDA
5	RX0P	12	GND
6	RX0N	13	DVI Power
7	RXCP	14	HPD

(IV) Power Interface Details (Connector 4 pin):

Pin	Function	Pin	Function
1	+12V	3	GND
2	+12V	4	GND

(V) Audio Interface Details (Connector 3pin)

Pin	Function	Pin	Function
1	Audio left Pc_In	3	Audio Right Pc_In
2	GND		

(VI) Speaker Interface Details (Connector 4pin) CN 13

Pin	Function	Pin	Function
1	AMP_L	3	GND
2	GND	4	AMP_R

(VII) OSD Interface Details (Connector 10pin)

Pin	Function	Pin	Function
1	SELECT/EXIT	6	GND
2	MENU	7	GREEN_LED
3	AUTO	8	RED_LED
4	LEFT	9	ON/OFF
5	RIGHT	10	NC

5. Inverter Interface Details (Connector 6 pin): CN3

Pin	Function	Pin	Function
1	GND	4	BKLTION (ON/OFF)
2	GND	5	+12V
3	ADJUST	6	+12V

6. Frequency Details:

640x350	70Hz
720x400	70Hz
640x480	60Hz
640x480	60Hz
640x480	67Hz
640x480	72Hz
640x480	75Hz
832x624	75Hz
800x600	56Hz
800x600	60Hz
800x600	72Hz
800x600	75Hz
1024x768	60Hz
1024x768	70Hz
1024x768	75Hz
1280x768	60Hz
1280x1024	60Hz
1280x1024	75Hz
1366X768	60Hz
1600x1200	60Hz
1680X1050	60Hz

7. Power Selection Jumpers:

Pin	Function	Pin	Function
1	3.3V	3	5V
2	GND		