

LOW FREQUENCY REFLOWABLE CYLINDRICAL WATCH CRYSTAL

www.DataSheet4U.com



6.0 x 2.5mm

AB26TRB



RoHS
Compliant

FEATURES:

- Formed leads for low cost SMD type
- Excellent shock resistance
- Reflow Capable
- Low cost for consumer applications

APPLICATIONS:

- Real time clock
- Measuring instruments
- Blue-tooth and wireless applications

STANDARD SPECIFICATIONS:

PARAMETERS

ABRACON P/N	AB26TRB Series
Frequency Range	32.768kHz / 30kHz to 100kHz
Operating Temperature	-40°C to + 85°C
Turn-over Temperature	25°C to ± 5°C
Storage Temperature	-55°C to +125°C
Frequency Tolerance	± 20 ppm max. for 32.768KHz / ± 30 ppm max. for 30kHz to 100kHz (See Options)
Frequency Stability	-0.034 ± 0.006ppm/°C ²
Equivalent Series Resistance	50kohms max. (32.768kHz / 30kHz to 100kHz)
Shunt Capacitance C0	1.35pF typ. For 32.768kHz / 0.8 to 1.7pF for 30kHz to 100kHz
Load Capacitance CL	12.5pF (see options)
Quality Factor	70,000 typ. for 32.768kHz / 70,000 to 100,000 for 30kHz to 100kHz
Drive Level	1μW max.
Aging at 25°C first year	± 3 ppm max. for 32.768kHz / ± 5 ppm max. for 30kHz to 100kHz
Insulation Resistance	500 MW min. at 100 Vdc ± 15V

OPTIONS & PART IDENTIFICATION:

(Left blank if standard)

AB26TRB-Frequency-□-□-□

Load Capacitance		Frequency Tolerance		Packaging	
Blank	12.5pF	Blank	Standard	Blank	Bulk
6	6pF	1	± 10 ppm	T	Tape and Reel
		7	± 15 ppm		

*Contact ABRACON for non-standard load capacitance

LOW FREQUENCY REFLOWABLE CYLINDRICAL WATCH CRYSTAL

www.DataSheet4U.com



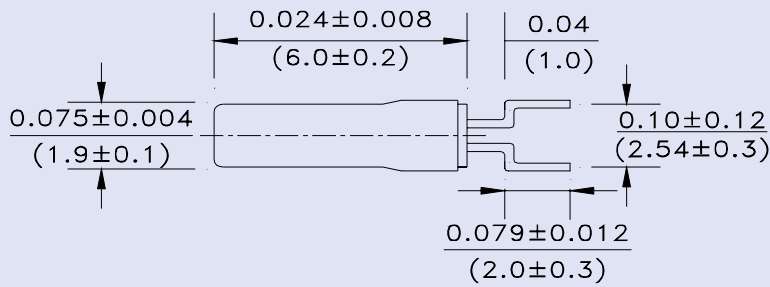
6.0 x 2.5mm

AB26TRB

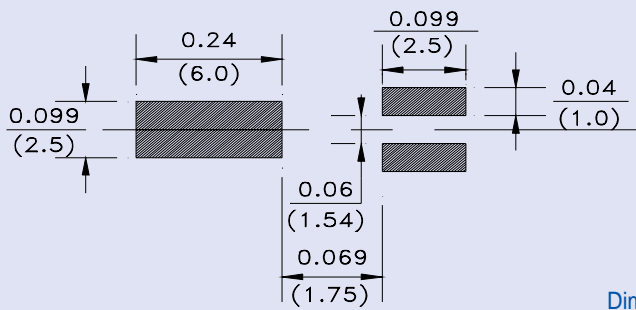


RoHS
Compliant

OUTLINE DRAWING:

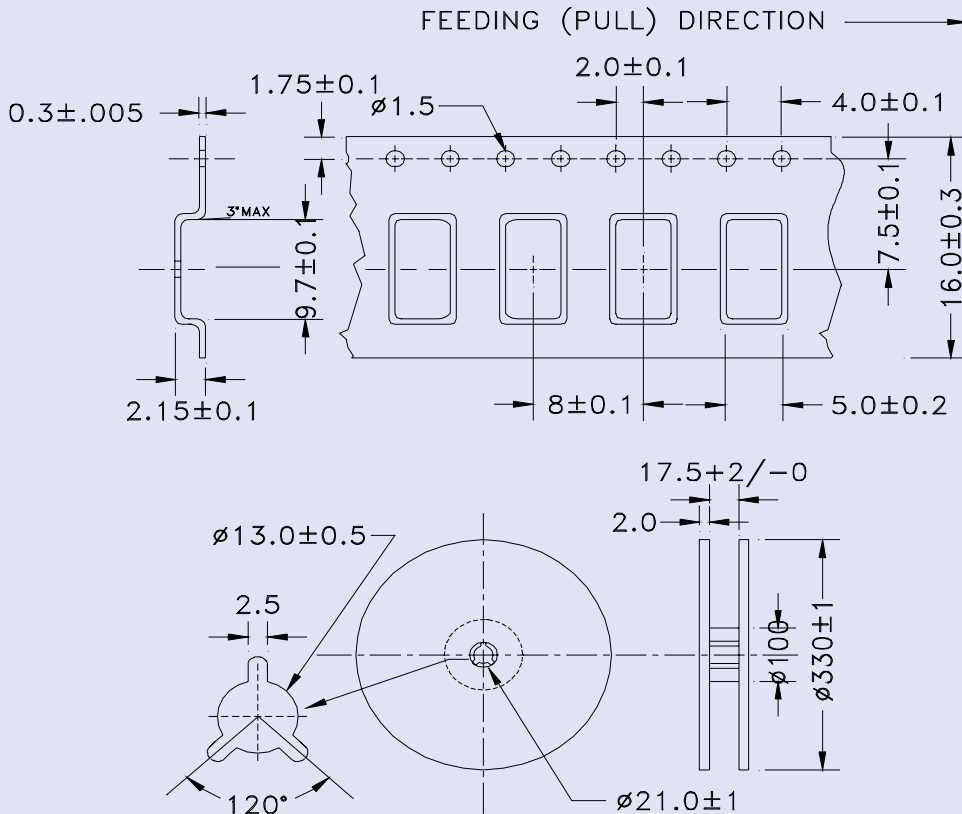


Recommended Land Pattern



Dimensions: mm

TAPE & REEL: T = Tape and reel 2,000pcs/reel



Dimensions: mm

ABRACON IS
ISO 9001 / QS 9000
CERTIFIED



Visit www.abracon.com for Terms & Conditions of Sale. Revised: 07.09.07
30332 Esperanza, Rancho Santa Margarita, California 92688
tel 949-546-8000 | fax 949-546-8001 | www.abracon.com