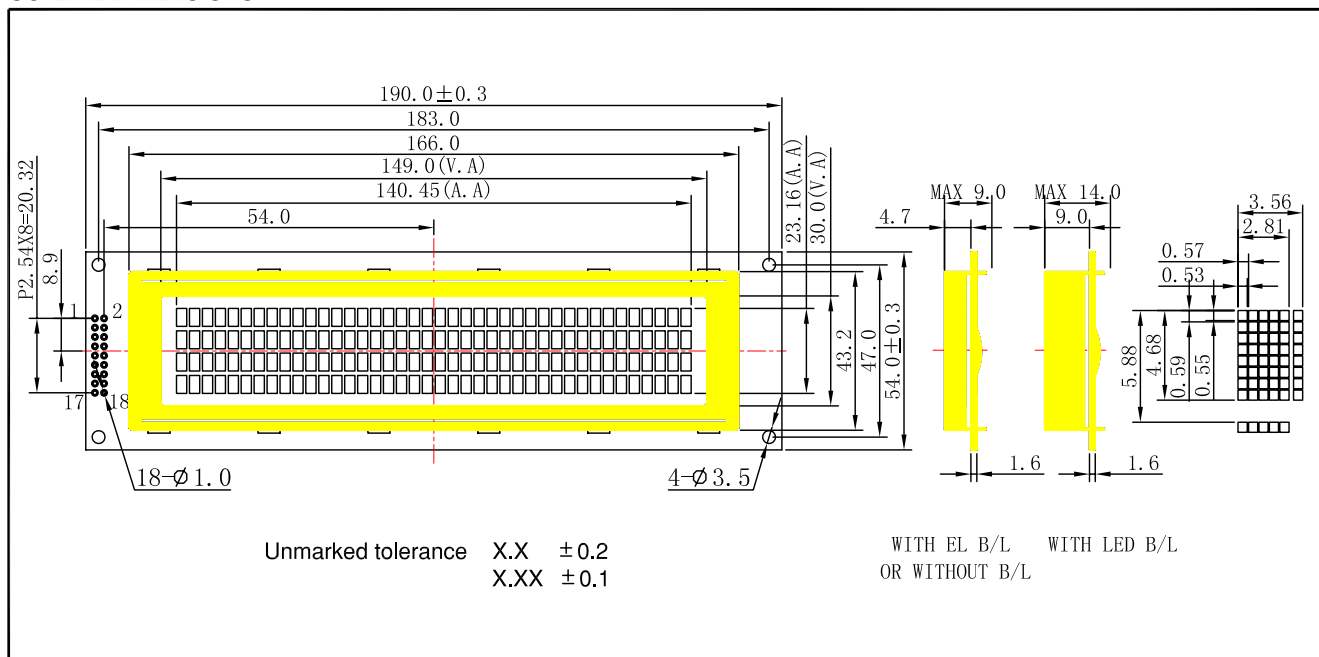
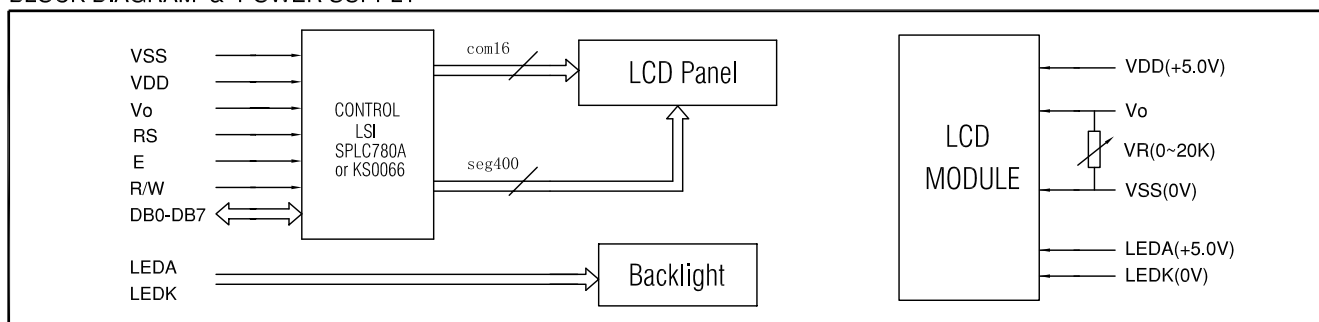


OUTLINE DIMENSIONS



BLOCK DIAGRAM & POWER SUPPLY



MECHANICAL SPECIFICATIONS & FEATURE

Normal Dimensions(mm)		FEATURE	
Module Size (W*H*T)	190.0x54.0x9.0/14.0	LCD Type	STN, FSTN
View Area (W*H)	149.0x30.0	LCD Colour	STN:Yellow-Green, Gray Other:Gray
Character Pitch(W*H)	3.56x5.88	View Angle	6 O'clock, 12 O'clock
Character Size(W*H)	2.81x4.68	Display Type	Positive Type, Negative Type
Character Font	5x8	Rear polarizer	Transmissive, Reflective, Transflective
Dot Pitch (W*H)	0.57x0.59	Operating Temperature	0°C ~ 50°C, -20°C ~ 70°C
Dot Size (W*H)	0.53x0.55	Backlight	LED:Yellow EL:Green, Blue-Green, Blue Without

ELECTRICAL CHARACTERISTICS

Item	Symbol	Test Condition	Min.	Typ.	Max.	Unit
Operating Voltage	Vdd	Ta=25°C	---	5.0	---	V
Operating Voltage for LCD	Vlcd	Ta=25°C	---	4.5	---	V
Supply Current	Idd	Ta=25°C, Vdd=5.0V	---	2.0	3.0	mA
Supply Current for Backlight(LED)	If	Ta=25°C, Vf=4.05V	---	500	---	mA

INTERFACE PIN CONNECTIONS

Pin No	Symbol	Level	Description
1	VSS	--	Ground for Logic
2	VDD	--	Power supply for Logic
3	Vo	--	Power supply for LCD drive
4	RS	H/L	Register selection (H:Data register, L:Instruction register)
5	R/W	H/L	Read/write selection (H:Read, L:Write)
6	E1	H/H—L	Enable signal for LCM for Chip1
7	E2	H/H—L	Enable signal for LCM for Chip2
8-15	DB0-DB7	H/L	Data Bus lines
16	NC	--	No connective
17	LEDA	--	Power supply for Backlight(+)
18	LEDK	--	Power supply for Backlight(-)

REMARK

Pin17 and Pin18 electrode(A, K) can be exchanged
 Negative type LCD colour: Blue
 CGROM font option: English, Japanese, Russian, etc
 Old NO.:HY-4004A Series