

COMMERCIAL GRADE CERAMIC SMD CRYSTAL



ABM53CA

5.0 x 3.2 x 1.2 mm

ABM53CA

Pb in glass

(exempt per RoHS 2002/95/EC Annex (5))

RoHS
Compliant

FEATURES:

- Industrial standard package 5.0x3.2, 2 pads
- Ideal for Cost Sensitive Commercial Electronics
- Suitable for High Volume Applications

APPLICATIONS:

- Laptop computers
- Computer peripherals
- Home network modem

NEW!
Low Cost
Commercial
Grade SMD
Crystal

STANDARD SPECIFICATIONS:

PARAMETERS

ABRACON P/N:	ABM53CA Series
Frequency range:	12.0 MHz to 48 MHz
Operation Mode:	AT-cut (Fundamental for <36MHz, 3rd OT for >36MHz)
Operating temperature:	-10°C to + 60°C (see options)
Storage temperature:	-40°C to +85°C
Freq. Tolerance at +25° C:	± 30ppm max. (Contact ABRACON for tighter tolerance)
Freq. stability over operating temperature (Ref to +25° C):	± 50ppm max. (Contact ABRACON for tighter stability)
Equivalent series resistance:	See Table 1
Shunt capacitance C0:	7pF max
Load capacitance CL:	18pF (see option)
Drive Level:	100uW max
Aging @ 25°C per year:	±10ppm max
Insulation Resistance:	500Mohms min at 100Vdc ± 15V

TABLE 1

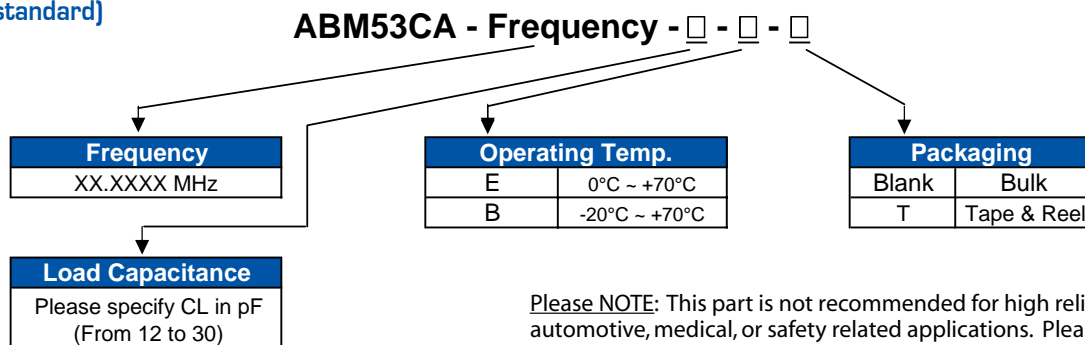
Frequency (MHz)	ESR (Ω)
8.000 - 11.999	120
12.000 - 14.399	80
14.400 - 36.000	50
36.001 - 48.000	Contact ABRACON

Test Condition

Parts shall be tested under the condition of +20±15°C of the temperature, +65%±20%RH of the humidity unless the standard condition of +25±2°C of the temperature, +65%±5%RH of the humidity is specified.

OPTIONS AND PART IDENTIFICATION:

(Left blank if standard)



Please NOTE: This part is not recommended for high reliability applications such as automotive, medical, or safety related applications. Please contact ABRACON for information regarding our high reliability products and for application assistance.

ABRACON IS
ISO 9001 / QS 9000
CERTIFIED



ABRACON
CORPORATION

Visit www.abracon.com for Terms & Conditions of Sale
30332 Esperanza, Rancho Santa Margarita, California 92688
tel 949-546-8000 | fax 949-546-8001 | www.abracon.com

www.DataSheet4U.com 07

COMMERCIAL GRADE CERAMIC SMD CRYSTAL



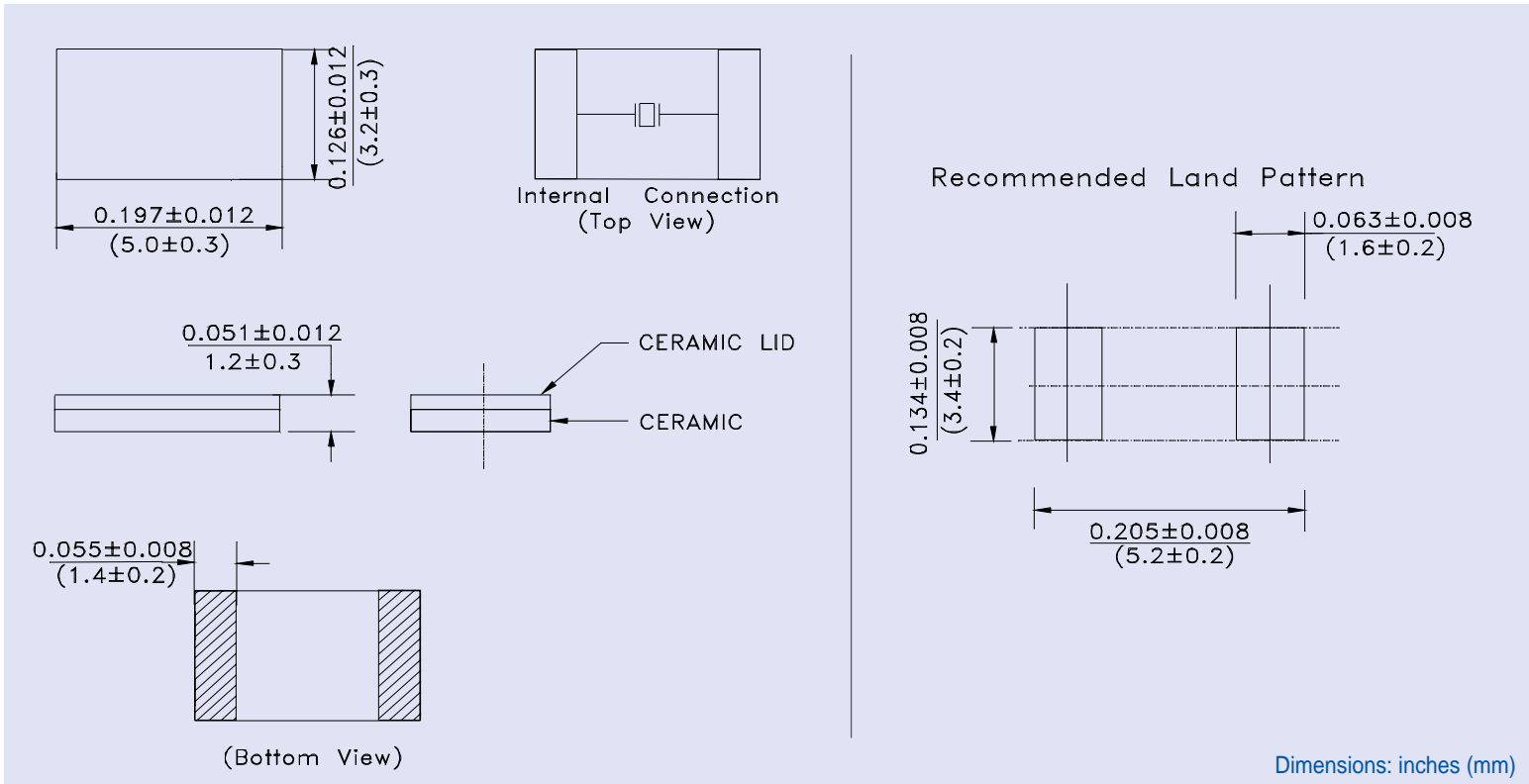
ABM53CA

Pb in glass
(exempt per RoHS 2002/95/EC Annex (5))

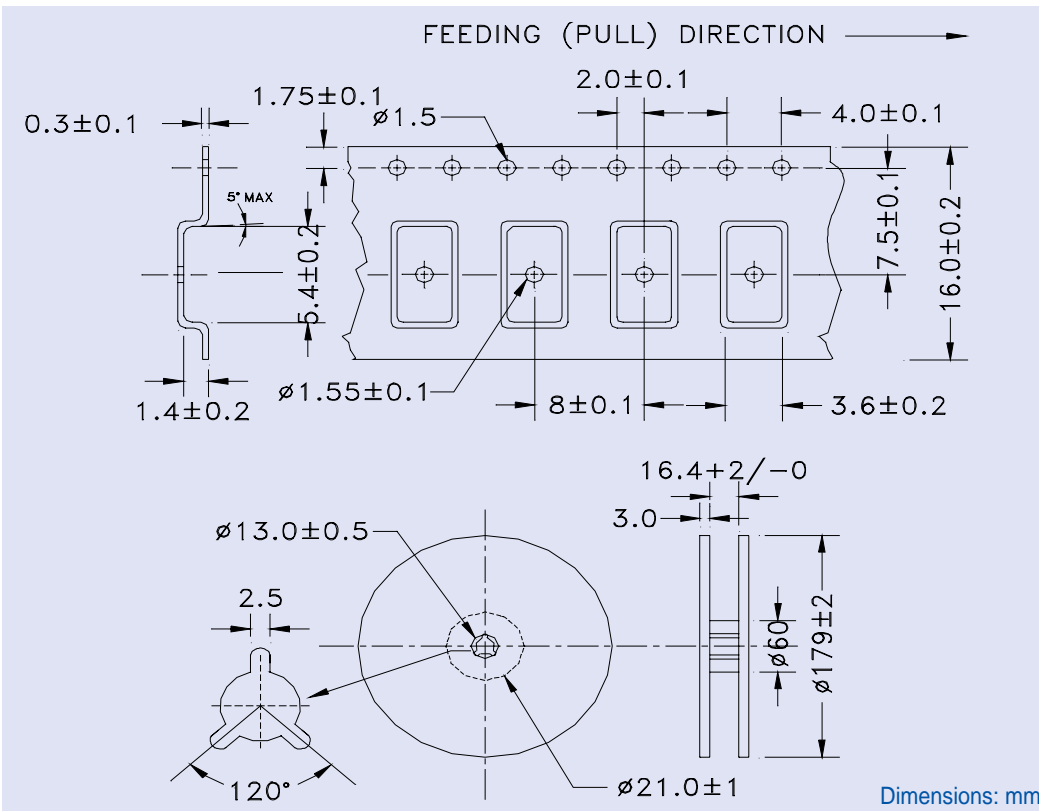
RoHS
Compliant

5.0 x 3.2 x 1.2 mm

OUTLINE DRAWING:



TAPE & REEL: T = Tape and reel 1,000pcs/reel



Please NOTE: This part is not recommended for high reliability applications such as automotive, medical, or safety related applications. Please contact ABRACON for information regarding our high reliability products and for application assistance.

ABRACON IS
ISO 9001 / QS 9000
CERTIFIED



Visit www.abracon.com for Terms & Conditions of Sale. **Data Sheet 07.06.07**
30332 Esperanza, Rancho Santa Margarita, California 92688
tel 949-546-8000 | fax 949-546-8001 | www.abracon.com