

MICROPROCESSOR CRYSTALS
CERAMIC SURFACE MOUNT MINIATURE
ABMC2



FEATURES:

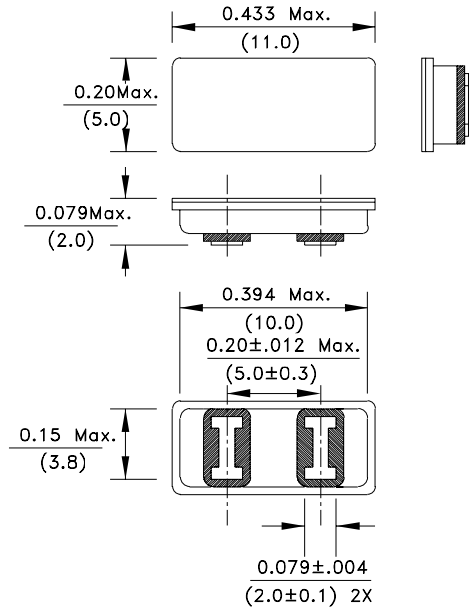
- 2.0 mm height.
- Resistance welded.
- Low frequency in true SMD package.
- High reliability; AT Strip cut for high-precision.
- Extended temperature available.
- Reflow capable.

APPLICATIONS:

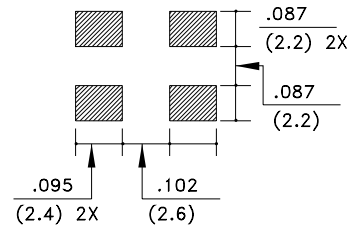
- PCMCIA applications.
- Microprocessors.
- Communication equipment, Networking, Thin equipment.

STANDARD SPECIFICATIONS

Frequency Range	3.579545MHz - 70MHz
Operation Mode	3.579545MHz ~ 27MHz (Fundamental) 27.0MHz ~ 41.0MHz (Fund. BT or AT) 27.01MHz ~ 70MHz (3rd overtone)
Operating Temperature	-10°C to +60°C (See Options)
Storage Temperature	-40°C to +85°C
Frequency Tolerance @ 25°C	±50ppm max. (See Options)
Frequency Stability over Temp.	±100ppm max. (See Options)
Equivalent Series Resistance (ESR)	200 Ω max. for 3.57MHz ≤ F < 4.00MHz 150 Ω max. for 4.00MHz ≤ F < 5.00MHz 120 Ω max. for 5.00MHz ≤ F < 6.00MHz 100 Ω max. for 6.00MHz ≤ F < 7.00MHz 80 Ω max. for 7.00MHz ≤ F < 9.00MHz 60 Ω max. for 9.00MHz ≤ F < 12.00MHz 50 Ω max. for 12.00MHz ≤ F < 20.00MHz 40 Ω max. for 20.00MHz ≤ F ≤ 27.00MHz
AT Fundamental	60 Ω max. for 9.00MHz ≤ F < 12.00MHz 50 Ω max. for 12.00MHz ≤ F < 20.00MHz 40 Ω max. for 20.00MHz ≤ F ≤ 27.00MHz
AT or BT Fundamental 3rd Overtone	40 Ω max. for 27.00MHz ≤ F ≤ 41.00MHz 100 Ω max. for 27.01MHz ≤ F ≤ 70.00MHz
Shunt Capacitance C ₀	7pF max.
Load Capacitance C _L	18pF (See Options)
Drive Level	100μW max.
Aging @ 25°C per Year	±5ppm max.
Insulation Resistance	500M Ω min. at 100Vdc ±15V

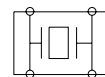


Recommended Land Pattern



Dimensions: Inches (mm)

CONNECTIONS



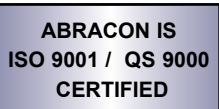
Environmental, and mechanical specifications, see appendix C. Group 2.
 Marking, see appendix G. Tape and Reel, see appendix H.(1,000 pcs/reel)
 Reflow profile, see appendix E. Recommended handling, see appendix F.
 Application notes, see appendix A.

ORDERING OPTIONS

ABMC2 - Frequency - CL - ESR - Temperature - Tolerance - Stability - Mode - Packaging

XX.XXXX MHz	RXXX (value in Ω)	-1 for ± 10ppm -7 for ± 15ppm -2 for ± 20ppm -3 for ± 25ppm -4 for ± 30ppm	-U for ± 10ppm -G for ± 15ppm -X for ± 20ppm -W for ± 25ppm -Y for ± 30ppm -H for ± 35ppm -Z for ± 50ppm	- T (Tape & Reel)
Load cap. in pF (10pF min.) or -S for Series	-E for 0°C to +70°C -B for -20°C to +70°C -C for -30°C to +70°C -N for -30°C to +85°C -D for -40°C to +85°C			- F (Fundamental AT > 27MHz) - FB (Fundamental BT > 27MHz)

NOTE: Left blank if standard • All specifications and markings subject to change without notice



29 Journey • Aliso Viejo, CA 92656 • USA
 (949) 448-7070 • FAX: (949) 448-8484

E-MAIL: abinfo@abracon.com • INTERNET ADDRESS: www.abracon.com

