



12.5 x 4.6 x 3.7 mm

MICROPROCESSOR CRYSTALS MOLDED PLASTIC SURFACE MOUNT ABSM2

FEATURES:

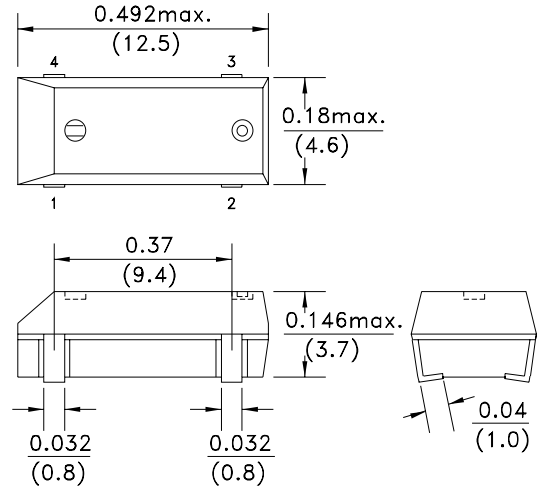
- Wide frequency range.
- Economical surface mount design.
- Plastic molded package incorporated cylindrical-type crystal.
- Excellent heat resistance.
- Suitable for solder reflow.

APPLICATIONS:

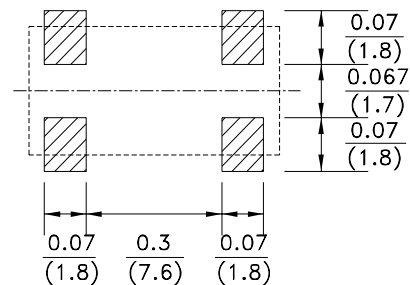
- Communication equipment.
- A / V equipment.
- Measuring instruments.
- High-density circuit boards.

STANDARD SPECIFICATIONS

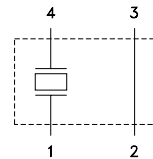
Frequency Range	3.50MHz - 70MHz
Operation Mode	3.50MHz ~ 32MHz (Fundamental) 30MHz ~ 70MHz (3rd overtone)
Operating Temperature	-10°C to +60°C (See Options)
Storage Temperature	-55°C to +125°C
Frequency Tolerance @ 25°C	±50ppm max. (See Options)
Frequency Stability over Temp.	±50ppm max. (See Options)
Equivalent Series Resistance (ESR)	200 Ω max. for 3.5MHz ≤ F < 4.00MHz
	150 Ω max. for 4.0MHz ≤ F < 6.00MHz
Fundamental AT	100 Ω max. for 6.0MHz ≤ F < 12.0MHz
	50 Ω max. for 12.0MHz ≤ F ≤ 32.0MHz
3rd Overtone	100 Ω max. for 30.0MHz ≤ F < 36.0MHz
	80 Ω max. for 36.0MHz ≤ F ≤ 70.0MHz
Shunt Capacitance C ₀	7pF max.
Load Capacitance C _L	18pF (See Options)
Drive Level	100μW max.
Aging @ 25°C per Year	±5ppm max.
Insulation Resistance	500MΩ min. at 100Vdc ±15V



Recommended land pattern



Electrode arrangement



Dimensions: Inches (mm)

Environmental, and mechanical specifications, see appendix C. Group 2.

Marking, see appendix G.

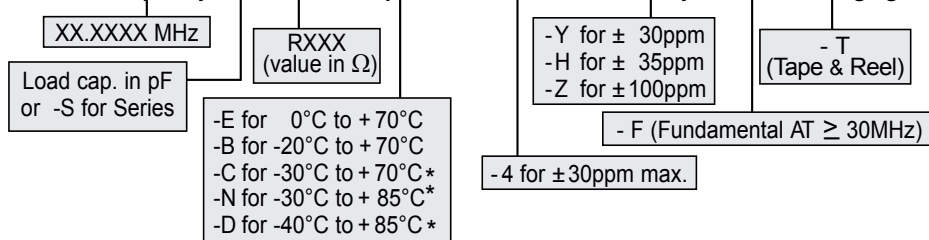
Tape and Reel, see appendix H.(2,000 pcs/reel).

Reflow profile, see appendix E.

Application notes, see appendix A. Recommended handling, see appendix F.

ORDERING OPTIONS

ABSM2 - Frequency - CL - ESR - Temperature - Tolerance - Stability - Mode - Packaging



*Frequency Stability may vary depending on frequency.



NOTE: Left blank if standard • All specifications and markings subject to change without notice

29 Journey • Aliso Viejo, CA 92656 • USA
(949) 448-7070 • FAX: (949) 448-8484

E-MAIL: abinfo@abracon.com • INTERNET ADDRESS: www.abracon.com

ABRACON IS
ISO 9001 / QS 9000
CERTIFIED