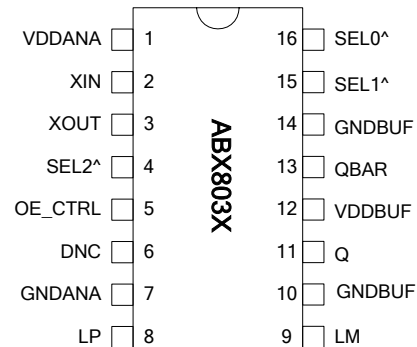
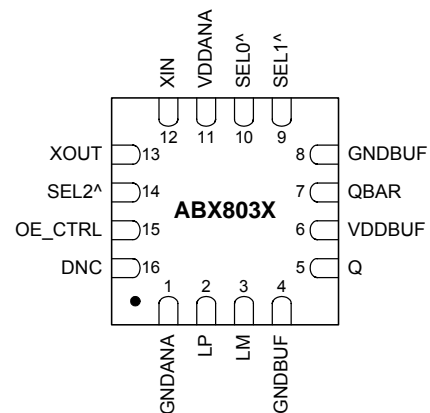


38-640MHz Low Phase Noise XO**FEATURES**

- Less than 0.4ps RMS (12kHz-20MHz) phase jitter for all frequencies.
- Less than 25ps peak to peak jitter for all frequencies.
- Low phase noise output (@ 1MHz frequency offset)
 - * -144dBc/Hz for 106.25MHz
 - * -144dBc/Hz for 156.25MHz
 - * -144dBc/Hz for 212.5MHz
 - * -140dBc/Hz for 312.5MHz,
 - * -131dBc/Hz for 622.08MHz
- 19MHz-40MHz crystal input.
- 38MHz-640MHz output.
- Available in PECL, LVDS, or CMOS outputs.
- Output Enable selector.
- 2.5V & 3.3V operation.
- Available in 3x3 QFN or 16-pin TSSOP packages.

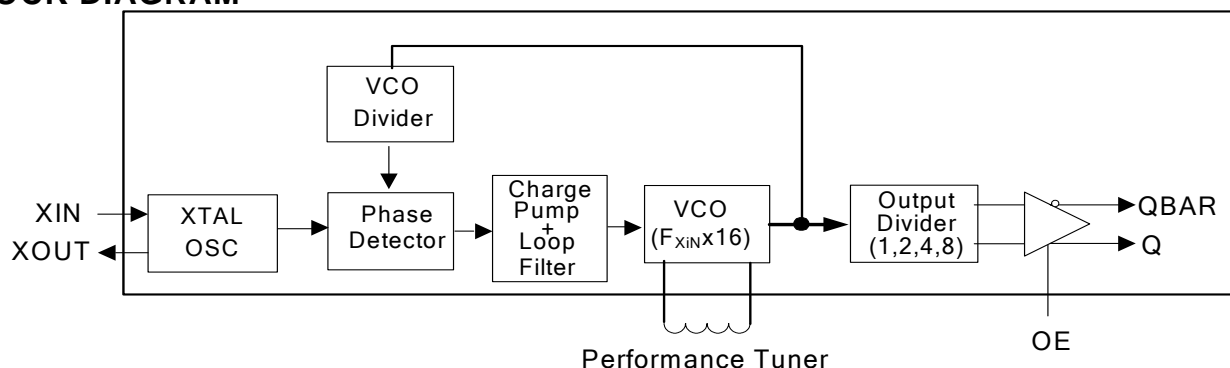
DESCRIPTION

The ABX803X is a monolithic low jitter and low phase noise high performance clock, capable of maintaining 0.4ps RMS phase jitter and CMOS, LVDS or PECL outputs, covering a wide frequency output range up to 640MHz. It allows high performance and high frequency output, using a low cost fundamental crystal of between 19-40MHz. The frequency selector pads of ABX803X enable output frequencies of (2, 4, 8, or 16) * F_{XIN} . The ABX803X is designed to address the demanding requirements of high performance applications such Fiber Channel, serial ATA, Ethernet, SAN, etc.

PACKAGE PIN ASSIGNMENT**16-pin TSSOP****3x3 QFN**

Note1: QBAR is used for single ended CMOS output.

Note2: ^ Denotes internal pull up resistor.

BLOCK DIAGRAM

OUTPUT ENABLE LOGICAL LEVELS

Part #	OE	State
ABX8038 (PECL)	0 (Default)	Output enabled
	1	Tri-state
ABX8037 & 39 (CMOS or LVDS)	0	Tri-state
	1 (Default)	Output enabled

PIN DESCRIPTIONS

Name	TSSOP Pin number	3x3mm QFN Pin number	Type	Description
VDDANA	1	11	P	VDD for analog Circuitry.
XIN	2	12	I	Crystal input pin. (See Crystal Specifications on page 3).
XOUT	3	13	O	Crystal output pin. (See Crystal Specifications on page 3).
SEL2	4	14	I	Output frequency Selector pin.
OE_CTRL	5	15	I	Output enable control pin. (See OE_CTRL Logic Levels on page 1).
DNC	6	16	-	Do Not Connect
GNDANA	7	1	P	Ground for analog circuitry.
LP	8	2	-	Tuning inductor connection. The inductor is recommended to be a high Q small size 0402 or 0603 SMD component, and must be placed between LP and adjacent LM pin. Place inductor as close to the IC as possible to minimize parasitic effects and to maintain inductor Q.
LM	9	3	-	
GNDBUF	10	4	P	GND connection for output buffer circuitry.
Q	11	5	O	PECL or LVDS output.
VDDBUF	12	6	P	VDD connection for output buffer circuitry. VDDBUF should be separately decoupled from other VDDs whenever possible.
QBAR	13	7	O	Complementary PECL, LVDS output; Or single ended CMOS output.
GNDBUF	14	8	P	GND connection for output buffer circuitry.
SEL1	15	9	I	Output frequency Selector pin.
SEL0	16	10	I	Output frequency Selector pin.

38-640MHz Low Phase Noise XO**FREQUENCY SELECTION TABLE**

SEL2	SEL1	SEL0	Selected Multiplier/Output Frequency
0	0	0	VCO Max*
0	0	1	VCO Min*
0	1	0	Reserved
0	1	1	Reserved
1	0	0	Fin x 2
1	0	1	Fin x 8
1	1	0	Fin x 16
1	1	1	Fin x 4

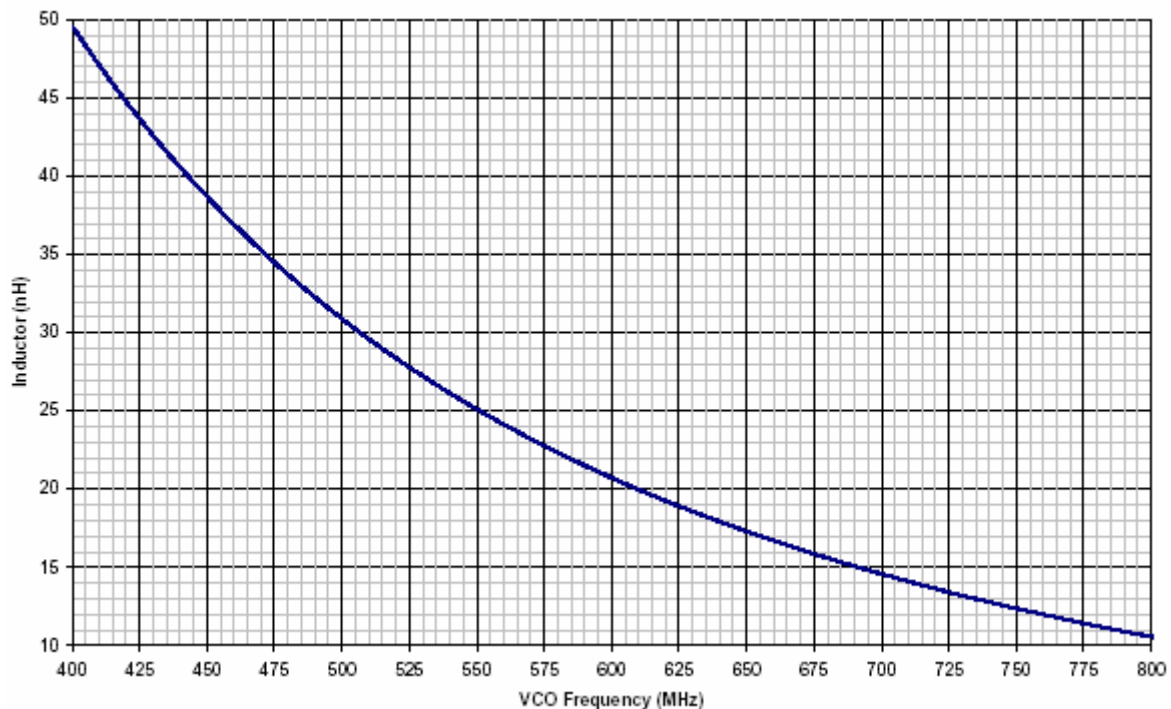
All SEL pads have internal pull-ups (default value is '1'). Bond to GND to set to 0.

* Special Test Modes to help selecting the inductor value for the target output frequency.

PERFORMANCE TUNING & INDUCTOR VALUE SELECTION

Please refer to Abracon's "Tuning Assistant" software to automatically calculate the optimum inductor values. In addition, the chart below could be used as a reference for quick inductor value selection.

Use the special test modes "VCO Max" and "VCO Min" to determine the optimum inductor value. "VCO Max" represents the high end of the VCO range and "VCO Min" represents the low end of the VCO range. The output frequency in the "VCO Max" and "VCO Min" test modes is VCO/16. This means that the output frequencies are around the crystal frequency that will be used. The optimum inductor value is where the target crystal frequency is closest to the middle between the "VCO Max" and "VCO Min" output frequencies. In this case the VCO will lock in the middle of its tuning range with maximum margin on either side.



38-640MHz Low Phase Noise XO**ELECTRICAL SPECIFICATIONS****1. Absolute Maximum Ratings**

PARAMETERS	SYMBOL	MIN.	MAX.	UNITS
Supply Voltage	V_{DD}		4.6	V
Input Voltage, dc	V_I	-0.5	$V_{DD}+0.5$	V
Output Voltage, dc	V_O	-0.5	$V_{DD}+0.5$	V
Storage Temperature	T_S	-65	150	°C
Ambient Operating Temperature*	T_A	-40	85	°C
Junction Temperature	T_J		125	°C
Lead Temperature (soldering, 10s)			260	°C
ESD Protection, Human Body Model			2	kV

Exposure of the device under conditions beyond the limits specified by Maximum Ratings for extended periods may cause permanent damage to the device and affect product reliability. These conditions represent a stress rating only, and functional operations of the device at these or any other conditions above the operational limits noted in this specification is not implied.

* Note: Operating Temperature is guaranteed by design for all parts (COMMERCIAL and INDUSTRIAL), but tested for COMMERCIAL grade only.

2. Crystal Specifications

PARAMETERS	SYMBOL	CONDITIONS	MIN.	TYP.	MAX.	UNITS
Crystal Resonator Frequency	F_{XIN}	Parallel Fundamental Mode	19		40	MHz
Crystal Loading Rating	C_L (xtal)			17.7		pF
Crystal Shunt Capacitance	C_0 (xtal)				5	pF
Recommended ESR	R_E	AT cut			30	Ω

Note: Crystal Loading rating: 17.7pF is the loading the crystal sees from the XO chip. It is assumed that the crystal will be at nominal frequency at this load. If the crystal requires less load to be at nominal frequency, then a capacitor can be placed in series with the crystal. If the crystal requires more load to be at nominal frequency, capacitors can be placed from XIN and XOUT to ground. This however may reduce the oscillator gain.

3. General Electrical Specifications

PARAMETERS	SYMBOL	CONDITIONS		MIN.	TYP.	MAX.	UNITS
Supply Current, Dynamic (with Loaded Outputs)	I_{DD}	PECL/LVDS/CMOS	38MHz< F_{out} <320MHz			65/45/30	mA
		PECL/LVDS	320MHz< F_{out} <640MHz			90/70	
Operating Voltage	V_{DD}			2.25		3.63	V
Output Clock Duty Cycle		@ 50% V_{DD} (CMOS)		45	50	55	%
		@ 1.25V (LVDS)		45	50	55	
		@ $V_{DD} - 1.3V$ (PECL)		45	50	55	
Short Circuit Current					± 50		mA

Note: CMOS operation is not advised above 200MHz with 15pF load; and 320MHz with 10pF load.

38-640MHz Low Phase Noise XO**4. Jitter Specifications**

PARAMETERS	CONDITIONS	FREQUENCY	MIN.	TYP.	MAX.	UNITS
Integrated jitter RMS	Integrated 12 kHz to 20 MHz	106.25MHz		0.4	0.5	ps
		156.25MHz		0.4	0.5	
		212.5MHz		0.4	0.5	
		312.5MHz		0.4	0.5	
		622.08MHz		0.4	0.5	
Period jitter RMS	With capacitive decoupling between VDD and GND. Over 10,000 cycles.	106.25MHz		3	5	ps
		156.25MHz		3	5	
		212.5MHz		3	5	
		312.5MHz		3	5	
		622.08MHz		6	8	
Period jitter Peak-to-Peak	With capacitive decoupling between VDD and GND. Over 10,000 cycles.	106.25MHz		20	30	ps
		156.25MHz		20	30	
		212.5MHz		20	30	
		312.5MHz		20	30	
		622.08MHz		50	70	

5. Phase Noise Specifications

PARAMETERS	FREQ.	@10Hz	@100Hz	@1kHz	@10kHz	@100kHz	@1M	@10M	UNITS
Phase Noise relative to carrier (typical)	106.25MHz	-66	-96	-122	-132	-126	-144	-150	dBc/Hz
	156.25MHz	-62	-92	-120	-132	-128	-140	-150	
	212.5MHz	-62	-92	-118	-126	-120	-140	-150	
	312.5MHz	-59	-85	-117	-128	-125	-139	-148	
	622.08MHz	-49	-84	-111	-120	-118	-128	-138	

6. CMOS Electrical Characteristics

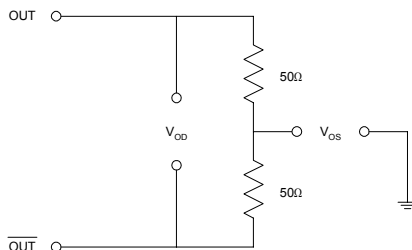
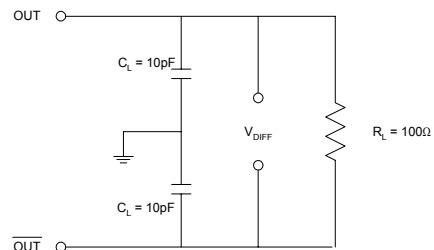
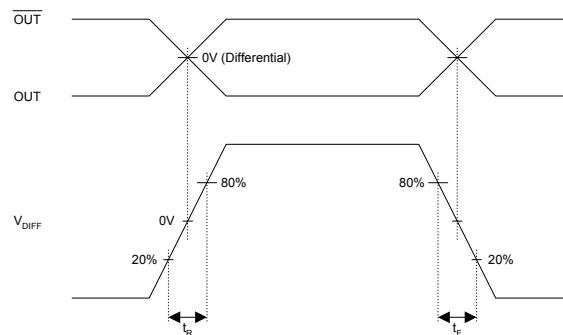
PARAMETERS	SYMBOL	CONDITIONS	MIN.	TYP.	MAX.	UNITS
Output drive current	I _{OH}	V _{OH} = V _{DD} -0.4V, V _{DD} =3.3V	30			mA
	I _{OL}	V _{OL} = 0.4V, V _{DD} = 3.3V	30			mA
Output Clock Rise/Fall Time		0.3V ~ 3.0V with 15 pF load		0.7		ns
Output Clock Rise/Fall Time		20%-80% with 50Ω Load		0.3		ns

8. LVDS Electrical Characteristics

PARAMETERS	SYMBOL	CONDITIONS	MIN.	TYP.	MAX.	UNITS
Output Differential Voltage	V_{OD}	$R_L = 100\ \Omega$ (see figure)	247	355	454	mV
V_{DD} Magnitude Change	ΔV_{OD}		-50		50	mV
Output High Voltage	V_{OH}			1.4	1.6	V
Output Low Voltage	V_{OL}		0.9	1.1		V
Offset Voltage	V_{OS}		1.125	1.2	1.375	V
Offset Magnitude Change	ΔV_{OS}		0	3	25	mV
Power-off Leakage	I_{OXD}	$V_{out} = V_{DD}$ or GND $V_{DD} = 0V$		± 1	± 10	μA
Output Short Circuit Current	I_{OSD}			-5.7	-8	mA

9. LVDS Switching Characteristics

PARAMETERS	SYMBOL	CONDITIONS	MIN.	TYP.	MAX.	UNITS
Differential Clock Rise Time	t_r	$R_L = 100\ \Omega$ $C_L = 10\ pF$ (see figure)	0.2	0.7	1.0	ns
Differential Clock Fall Time	t_f		0.2	0.7	1.0	ns

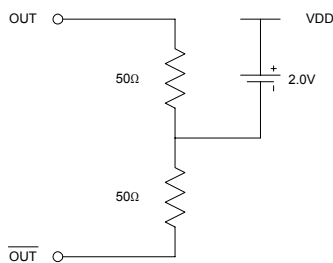
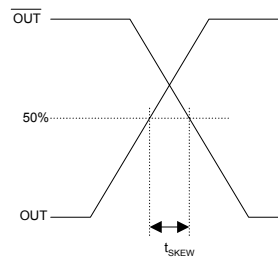
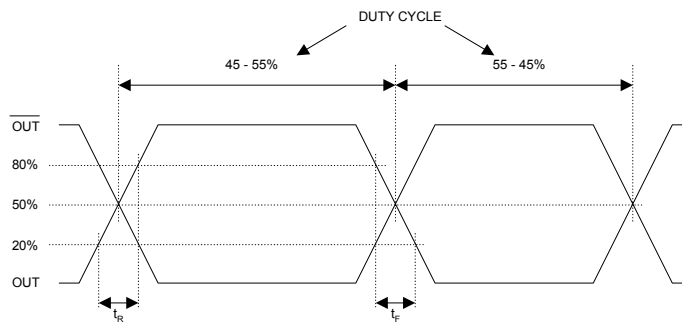
LVDS Levels Test CircuitLVDS Switching Test CircuitLVDS Transition Time Waveform

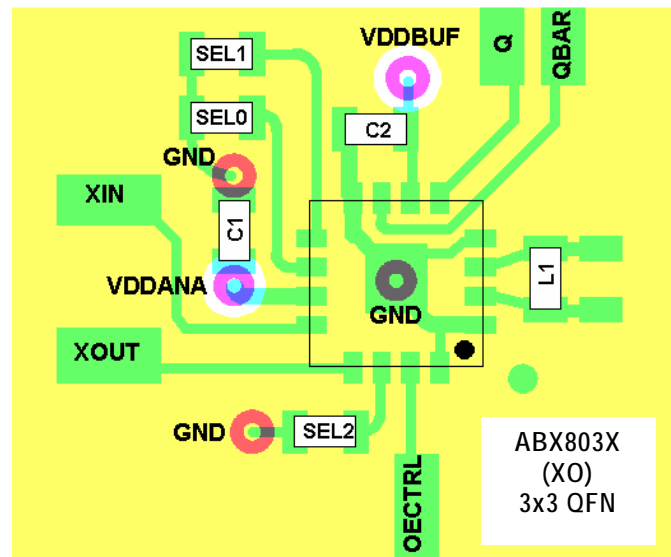
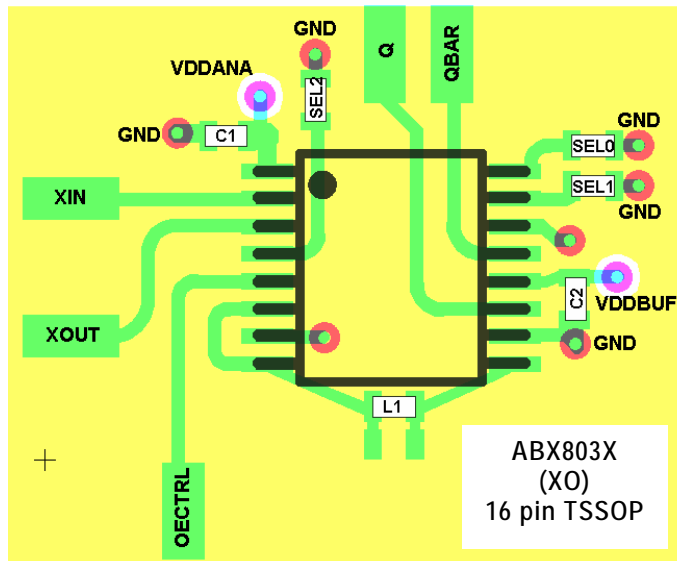
10. PECL Electrical Characteristics

PARAMETERS	SYMBOL	CONDITIONS	MIN.	MAX.	UNITS
Output High Voltage	V_{OH}	$R_L = 50 \Omega$ to ($V_{DD} - 2V$) (see figure)	$V_{DD} - 1.025$		V
Output Low Voltage	V_{OL}			$V_{DD} - 1.620$	V

11. PECL Switching Characteristics

PARAMETERS	SYMBOL	CONDITIONS	MIN.	TYP.	MAX.	UNITS
Clock Rise Time	t_r	@20/80% - PECL		0.6	1.5	ns
Clock Fall Time	t_f	@80/20% - PECL		0.5	1.5	ns

PECL Levels Test CircuitPECL Output SkewPECL Transition Time Waveform

LAYOUT RECOMMENDATIONS**PCB LAYOUT CONSIDERATIONS FOR PERFORMANCE OPTIMIZATION**

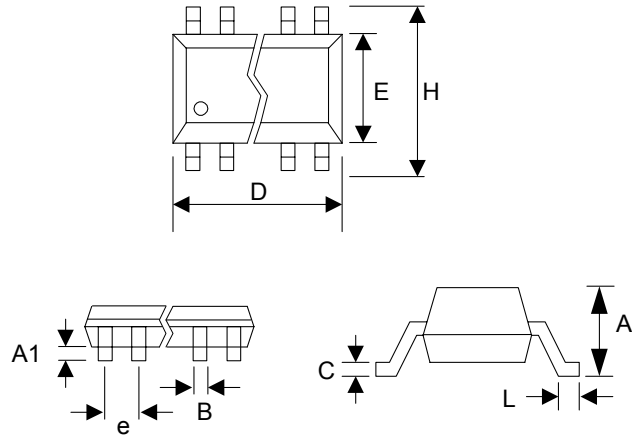
The following guidelines are to assist you with a performance optimized PCB design:

- Keep all the PCB traces to ABX803X as short as possible, as well as keeping all other traces as far away from it as possible.
- Place the crystal as close as possible to both crystal pins of the device. This will reduce the cross-talk between the crystal and the other signals.
- Separate crystal pin traces from the other signals on the PCB, but allow ample distance between the two crystal pin traces.
- Place a $0.01\mu\text{F}$ ~ $0.1\mu\text{F}$ decoupling capacitor between VDD and GND, on the component side of the PCB, close to the VDD pin. It is not recommended to place this component on the backside of the PCB. Going through vias will reduce the signal integrity, causing additional jitter and phase noise.
- It is highly recommended to keep the VDD and GND traces as short as possible.
- When connecting long traces (> 1 inch) to a CMOS output, it is important to design the traces as a transmission line or 'stripline', to avoid reflections or ringing. In this case, the CMOS output needs to be matched to the trace impedance. Usually 'striplines' are designed for 50Ω impedance and CMOS outputs usually have lower than 50Ω impedance so matching can be achieved by adding a resistor in series with the CMOS output pin to the 'stripline' trace.
- Please contact Abracon for the application note on how to design outputs driving long traces or the Gerber files for the ABX80 layout.

PACKAGE INFORMATION

16-PIN SSOP

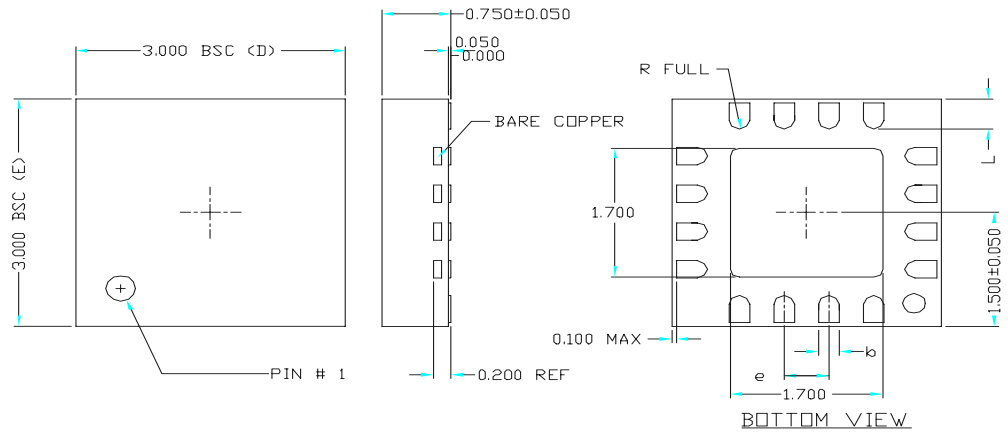
16 PIN TSSOP (mm)		
Symbol	Min.	Max.
A	-	1.20
A1	0.05	0.15
B	0.19	0.30
C	0.09	0.20
D	4.90	5.10
E	4.30	4.50
H	6.40 BSC	
L	0.45	0.75
e	0.65 BSC	



16-PIN 3x3 QFN

VARIAIONS:

SYMBOL	16 LD		
	MIN	NDM	MAX
e	0.50 BSC		
b	0.18	0.23	0.30
L	0.30	0.40	0.50
ND	4		
NE	4		



38-640MHz Low Phase Noise XO**ORDERING INFORMATION**

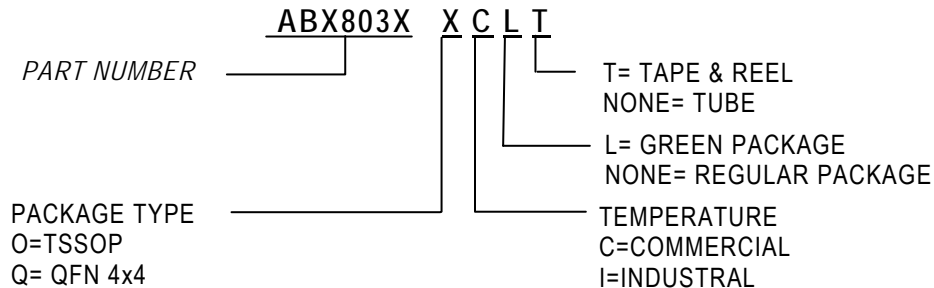
For part ordering, please contact our Sales Department:

30332 Esperanza., Rancho Santa Margarita, Ca 92688

Ph: 949-546-8000 Fax: 949-546-8001

PART NUMBER

The order number for this device is a combination of the following:
Device number, Package type and Operating temperature range



Order Number	Marking	Marking
ABX8037OC	ABX8037OC	TSSOP - Tube
ABX8037OC-T	ABX8037OC	TSSOP - Tape & Reel
ABX8037OCL	ABX8037OCL	TSSOP - Tube (GREEN Package)
ABX8037OCL-T	ABX8037OCL	TSSOP - Tape & Reel (GREEN Package)
ABX8037QC	X8037QC	QFN - Tube
ABX8037QC-T	X8037QC	QFN - Tape & Reel
ABX8037QCL	X8037QCL	QFN - Tube (GREEN Package)
ABX8037QCL-T	X8037QCL	QFN - Tape & Reel (GREEN Package)
ABX8038OC	ABX8038OC	TSSOP - Tube
ABX8038OC-T	ABX8038OC	TSSOP - Tape & Reel
ABX8038OCL	ABX8038OCL	TSSOP - Tube (GREEN Package)
ABX8038OCL-T	ABX8038OCL	TSSOP - Tape & Reel (GREEN Package)
ABX8038QC	X8038QC	QFN - Tube
ABX8038QC-T	X8038QC	QFN - Tape & Reel
ABX8038QCL	X8038QCL	QFN - Tube (GREEN Package)
ABX8038QCL-T	X8038QCL	QFN - Tape & Reel (GREEN Package)
ABX8039OC	ABX8039OC	TSSOP - Tube
ABX8039OC-T	ABX8039OC	TSSOP - Tape & Reel
ABX8039OCL	ABX8039OCL	TSSOP - Tube (GREEN Package)
ABX8039OCL-T	ABX8039OCL	TSSOP - Tape & Reel (GREEN Package)
ABX8039QC	X8039QC	QFN - Tube
ABX8039QC-T	X8039QC	QFN - Tape & Reel
ABX8039QCL	X8039QCL	QFN - Tube (GREEN Package)
ABX8039QCL-T	X8039QCL	QFN - Tape & Reel (GREEN Package)

Abrakon Corporation, reserves the right to make changes in its products or specifications, or both at any time without notice. The information furnished by Abrakon is believed to be accurate and reliable. However, Abrakon makes no guarantee or warranty concerning the accuracy of said information and shall not be responsible for any loss or damage of whatever nature resulting from the use of, or reliance upon this product.

LIFE SUPPORT POLICY: *Abrakon's* products are not authorized for use as critical components in life support devices or systems without the express written approval of the President of *Abrakon* Corporation.