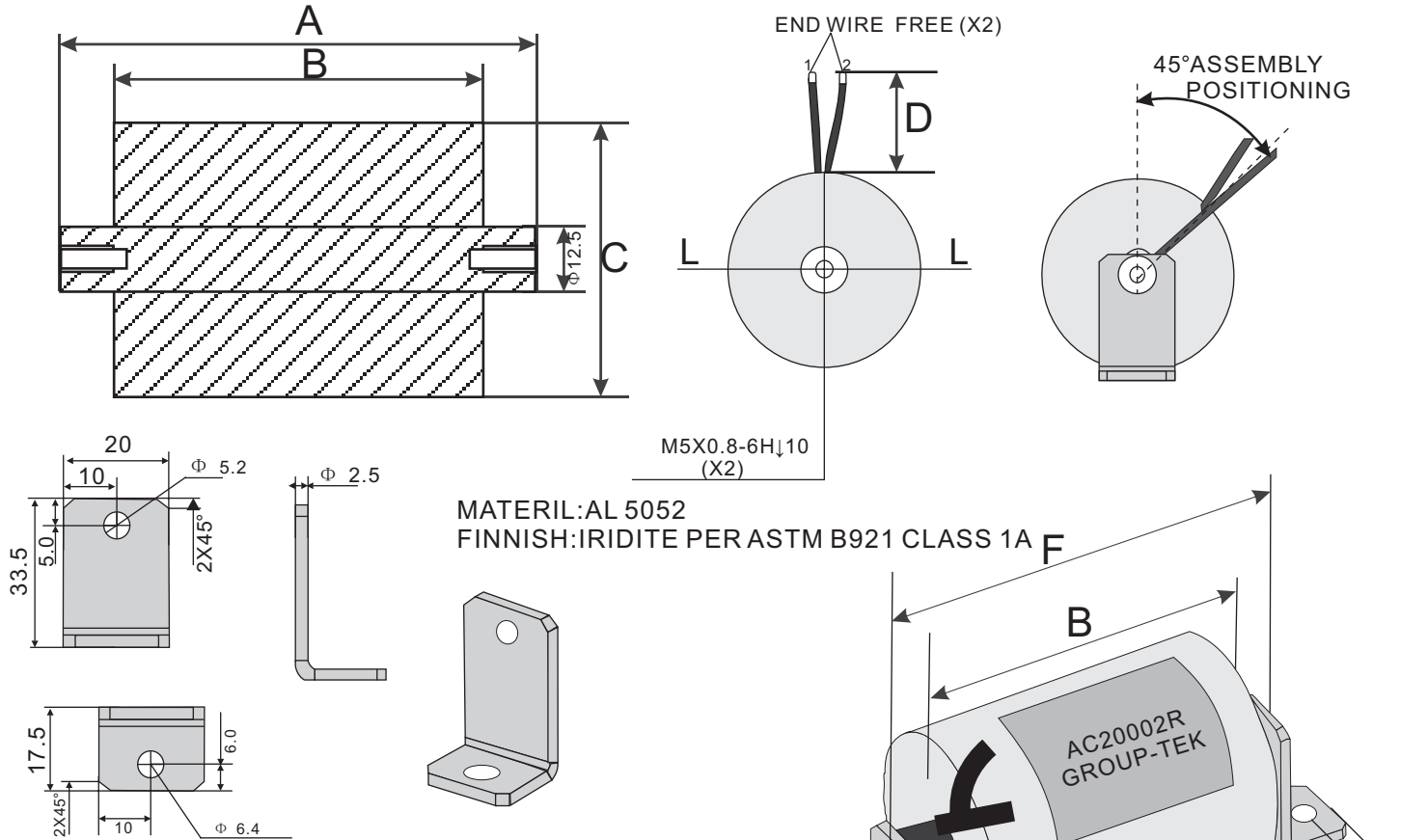
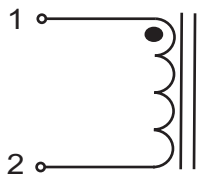


### 1. Mechanical Dimensions:



### 2. Schematic:



Unit: mm

A	B	C	D	E	F
±2	Max	Max	±5	±1	MAX
129.0	73.0	Φ52.0	130.0	113	95

### 3. Electrical Characteristics :

Specifications: at 25°C . Operating Temperature -40 to +85°C

NO.	ITEM	TEST CONDITION	SPECIFICATION
1	Inductance	(1-2)@15kHz, 0.3Vac	70uH TYP
2	Q FACTOR	(1-2) @15kHz, 0.3Vac	25 MIN
3	DCR	(1-2) @ 25°C	40mΩ Max