

Features

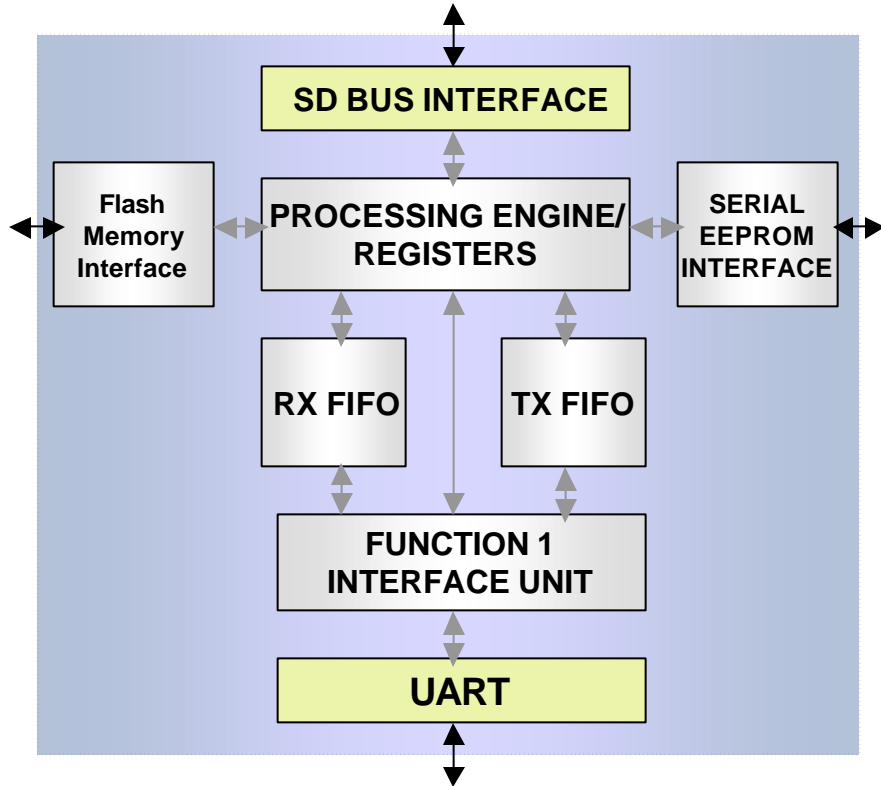
SDIO Specification Compliant

- The AC21C00 is compliant with the emerging SDIO Standard 1.10F
- Supports all standard modes, SPI, SD1 and SD4 modes
- Supports one function
- Operates from 0 to 25MHz
- All commands processed in hardware
- Supports all commands including Direct R/W (IO52) and Extended R/W (IO53)
- Suspend/Resume allows interleaving function data flows

16Megabyte Flash interface support ideal for storage of data and drivers in CSA space

Integrated industry standard UART supports data rates up to 1Mbits/sec

- Separate receive and transmit serial data streams
- Fully programmable serial-interface characteristics:
 - 5-,6-, 7-, or 8 bit characters
 - Even, odd or no parity bit generation and detection
 - 1-, ½, or 2-stop bit generation
 - Baud generation (DC to 1.5M baud)
- Large FIFOs for receive and transmit queues
- Independently controlled transmit, receive, line status, and data set interrupts
- MODEM control functions (CTS, RTS, DSR, DTR, RI, and DCD)
- Programmable baud rate generator



Interface to SEEPROM for CIS configuration during card initialization

- Automatically configures chip during power up
- Programs up to 128 bytes of CIS space

The AC21C00 device is implemented in 0.25 micron, 3.3v technology in a 64 TLFPGA package and operates in a 0°C to +70°C commercial temperature range.

The AC21C00 is ideally suited to the following end applications:

- MODEM
- GPS Receiver
- Blue Tooth Applications



"SD - a Universe of Possibilities"

Arasan Chip Systems, Inc.

1150 North First Street., Ste #211
 San Jose CA 95112
 Ph: 408-282-1600 x106
 Fx: 408-282-7800
 Email : vish@arasan.com
www.arasan.com