

# AC244 Series

Premium Series, mini-MIL Accelerometer, High Frequency,  
Side Exit Connector / Cable, 100 mV/g

## mini-MIL

Must Use J2X Series Connectors



## Product Features

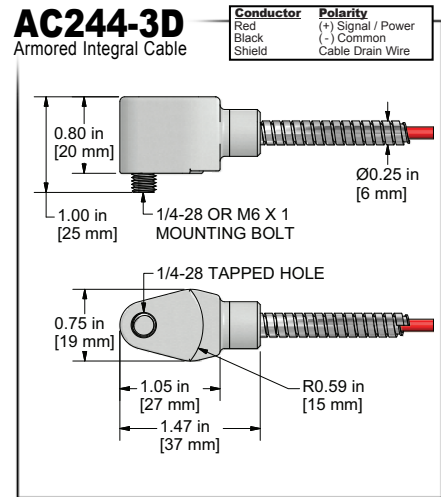
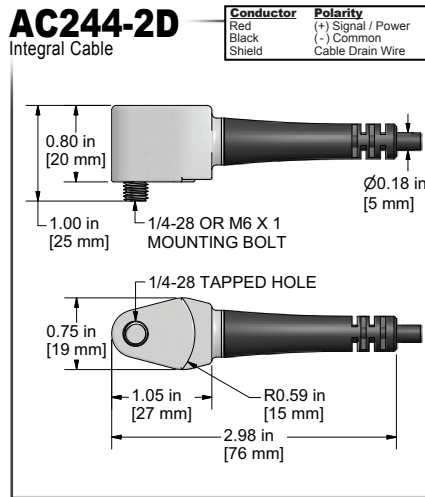
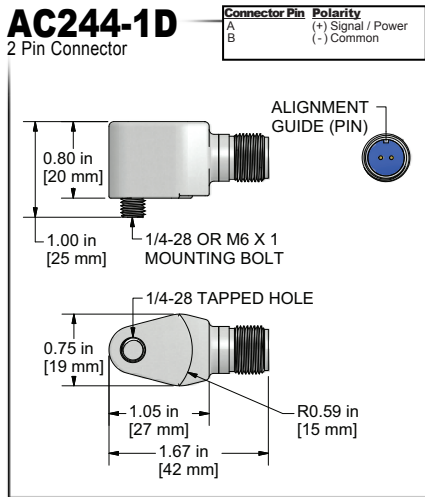
**Excellent Small Size, Low Profile Industrial Accelerometer**

**Premium Accelerometer, Great for Hard to Reach Areas**

- 2 Pin Mini-MIL Connection
- Less Than 1 Inch (25 mm) High
- $\pm 5\%$  Sensitivity



Actual Product Size Shown



Specifications	Standard	Metric
Part Number	AC244	M/AC244
Sensitivity ( $\pm 5\%$ )	100 mV/g	
Frequency Response ( $\pm 3\text{dB}$ )	36-900,000 CPM	0,6-15000 Hz
Frequency Response ( $\pm 10\%$ )	60-600,000 CPM	1,0-10000 Hz
Frequency Response ( $\pm 5\%$ )	120-420,000 CPM	2,0-7000 Hz
Dynamic Range	$\pm 50$ g, peak	
<b>Electrical</b>		
Settling Time	<2.5 seconds	
Voltage Source	18-30 VDC	
Constant Current Excitation	2-10 mA	
Spectral Noise @ 10 Hz	30 $\mu\text{g}/\sqrt{\text{Hz}}$	
Spectral Noise @ 100 Hz	4 $\mu\text{g}/\sqrt{\text{Hz}}$	
Spectral Noise @ 1000 Hz	2 $\mu\text{g}/\sqrt{\text{Hz}}$	
Output Impedance	<100 ohm	
Bias Output Voltage	7-14 VDC	
Case Isolation	$>10^9$ ohm	

Specifications	Standard	Metric
<b>Environmental</b>		
Temperature Range	-58 to 250° F	-50 to 121°C
Maximum Shock Protection	5,000 g, peak	
Electromagnetic Sensitivity	CE	
Sealing	Welded, Hermetic	
Submersible Depth (AC244-2D)	500 ft.	152 m
<b>Physical</b>		
Sensing Element	PZT Ceramic	
Sensing Structure	Shear Mode	
Weight	2.1 oz	60 grams
Case Material	316L Stainless Steel	
Mounting	1/4-28	
Connector (non-integral)	2 Pin mini-MIL	
Resonant Frequency	2,100,000 CPM	35000 Hz
Mounting Torque	2 to 5 ft. lbs.	2,7 to 6,8 Nm
Mounting Hardware	1/4-28 Captive Bolt	M6x1 Captive Bolt
Calibration Certificate	CA10	

## Ordering Information

Standard	AC244-1D (1/4-28 Bolt)	AC244-2D - / [ ] - [ ] (1/4-28 Bolt) (length in feet) (termination)	AC244-3D - / [ ] - [ ] - [ ] (1/4-28 Bolt) (armor length in feet) (cable length in feet) (termination)
Metric	M/AC244-1D (M6x1 Captive Bolt)	M/AC244-2D - / [ ] - [ ] (M6x1 Captive Bolt) (length in feet) (termination)	M/AC244-3D - / [ ] - [ ] - [ ] (M6x1 Captive Bolt) (armor length in feet) (cable length in feet) (termination)
		[ ] M - [ ] (length in meters) (termination)	[ ] M - [ ] (armor length in meters) (cable length in meters) (termination)

Cable Termination Options: **E** **F** **Z**



VIBRATION ANALYSIS HARDWARE

**Backed by our Unconditional Lifetime Warranty**